

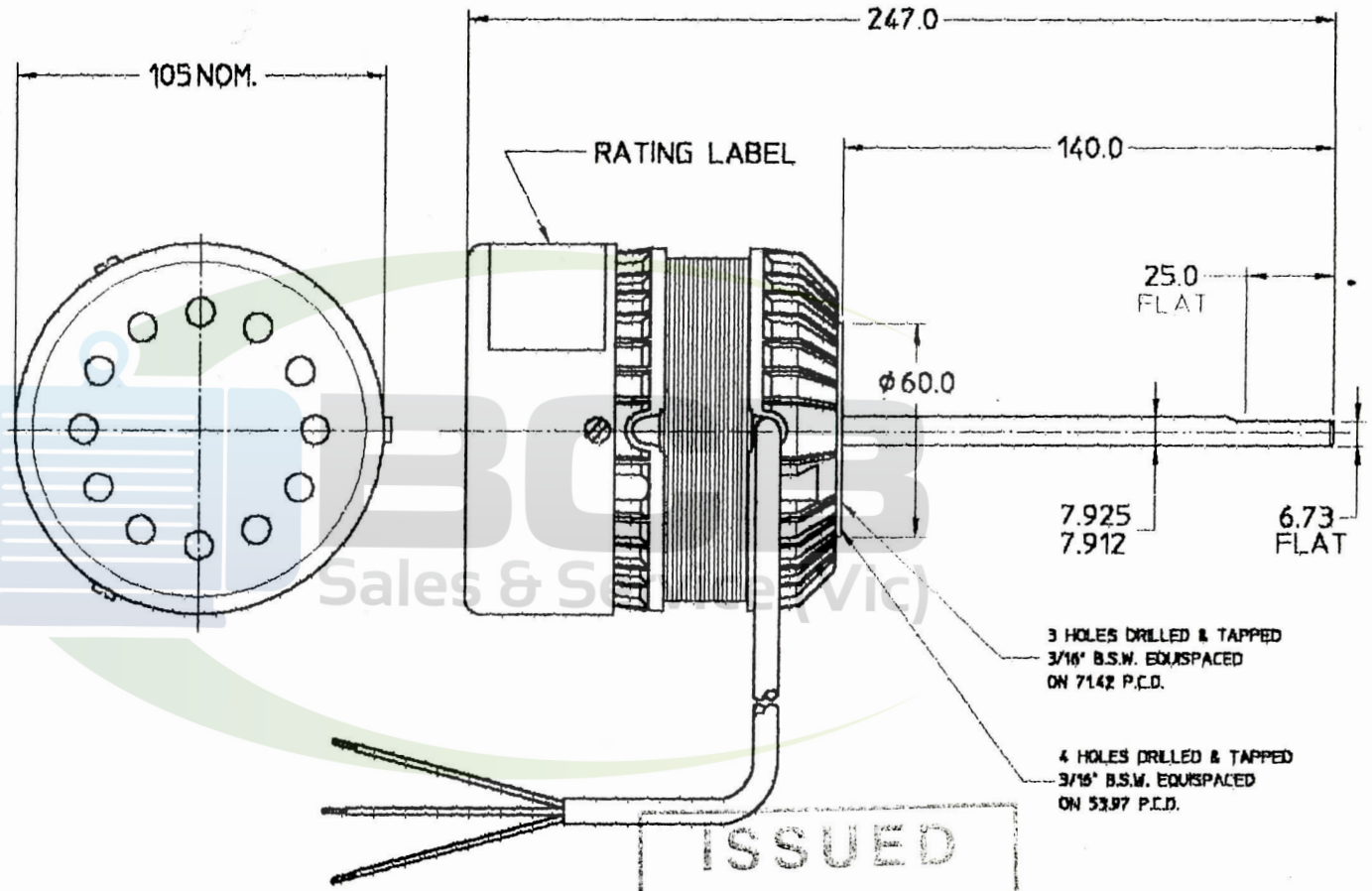
NOTE: FASCO AUSTRALIA IS HAPPY TO PROVIDE TECHNICAL ASSISTANCE TO OUR CUSTOMERS IN MANY AREAS. HOWEVER, SINCE FASCO AUSTRALIA IS NOT AWARE OF ALL DATA CONCERNING THE USE AND APPLICATION OF THIS MOTOR, THE SUITABILITY OF THE MOTOR FOR THE APPLICATION MUST BE DETERMINED BY THE CUSTOMER AND IS THE RESPONSIBILITY OF THE CUSTOMER.

# MOTOR SPECIFICATION

3RD ANGLE PROJECTION



MOTOR No.	CUSTOMER	VARIOUS	
DR. No	6779	CAPACITOR	u/f/v
POWER OUTPUT	23.0 W	START	NIL
MOTOR TYPE	SHADED POLE	RUN	NIL
SUPPLY	VOLTS	HERTZ	PHASE
	240	50	SINGLE
ENCLOSURE	VENTED ENDSHIELDS		
SPEED (RPM) AT RATED OUTPUT	1300	WINDING TYPE	
ROTATION	ANTICLOCKWISE (DRIVE END)		
INSULATION CLASS	E120	DUTY	A.O.M.
THERMAL PROTECTION	AUTO RESET OVERLOAD		
SUPPLY CURRENT	0.45	AMPS AT RATED OUTPUT	
APPLICATION	VARIOUS		
MOUNTING BEARING & LUBRICATION	TAPPED HOLES IN ENDSHIELDS BALL & WIDE RANGE GREASE		
SUPPLY LEAD	COLOUR	GREY	
	<input checked="" type="checkbox"/> FLEX	LENGTH	750 <sup>±50</sup> (45±5 STRIPPED)
	<input type="checkbox"/> SINGLE CORE	TERMINATION	BOOTLACES
		FIXING	NIL
EARTH PROVISION	VIA SUPPLY LEAD		
BASIC BUILD SPECIFICATION	_____		
PERFORMANCE SPECIFICATION	SP54013-01		
MOUNTING SPECIFICATION	_____		
CONNECTION DIAGRAM	_____	PAINT SPEC	NIL



**CONTROLLED COPY**

**ISSUED**  
8 SEP 1997  
DESTROY ALL PRINTS BEARING PREVIOUS ISSUE

MIC No: ABB012  
 BY DATE: 26/08/97  
 EP  
 MIC NOTE: SHEET EXCHANGED FROM 025 TO 1400

**SPECIAL REQUIREMENTS**

1) VENTED ENDSHIELDS BOTH ENDS

UNLESS OTHERWISE SPECIFIED DIMENSIONS IN MILLIMETRES  
 GENERAL TOLERANCES  
 1 PLACE OF DECIMALS ± 0.3  
 2 PLACES OF DECIMALS ± 0.1  
 ANGLES ± 30 MINUTES  
 SURFACE FINISHES SPECIFIED MICRO METRES MAX 30  
 SYMBOLS - AS 1100  
 THIS DRAWING REMAINS THE PROPERTY OF BROOK CROMPTON BETTS PTY. MAY NOT BE USED, COPIED OR REPRODUCED WITHOUT WRITTEN PERMISSION.

MATL. & FINISH  
**BCB SALES & SERVICE**  
 PH : 03 9546 3833  
 FAX : 03 9546 3356

DATE: \_\_\_\_\_

**FASCO AUSTRALIA**

63 STATUS R SHEET No

ACN 000 010 944

MOTOR

50D522-71A

REVISION **C**