

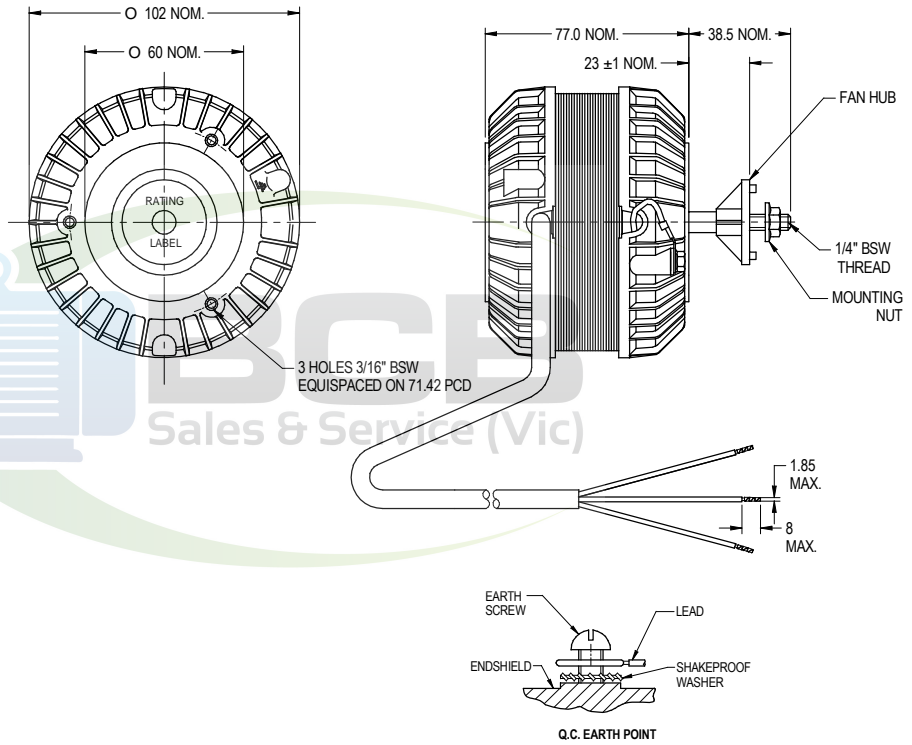
**NOTE :** FASCO AUSTRALIA IS HAPPY TO PROVIDE TECHNICAL ASSISTANCE TO OUR CUSTOMERS IN MANY AREAS. HOWEVER, SINCE FASCO AUSTRALIA IS NOT AWARE OF ALL DATA CONCERNING THE USE AND APPLICATION OF THIS MOTOR, THE SUITABILITY OF THE MOTOR FOR THE APPLICATION MUST BE DETERMINED BY AND IS THE RESPONSIBILITY OF THE CUSTOMER.



**MOTOR SPECIFICATION**

|                             |  |                      |   |       |
|-----------------------------|--|----------------------|---|-------|
| CUSTOMER                    | KIRBY REFRIGERATION                              |                      |   |       |
| CUSTOMER P/N                |  |                      |   |       |
| QR No.                      | 7432   | CAPACITOR            | uf / V  |       |
| POWER OUTPUT                | 40W  | START                | NIL   |       |
| MOTOR TYPE                  | SH/POLE  | RUN                  | NIL   |       |
| SUPPLY                      | VOLTS  | HERTZ                | PHASE   | POLES |
|                             | 415  | 50                   | SINGLE  | 4     |
| ENCLOSURE                   | TOTALLY ENCLOSED                                 |                      |   |       |
| SPEED (RPM) AT RATED OUTPUT | 1270   | WINDING TYPE         |   |       |
| ROTATION                    | ANTI-CLOCKWISE (DRIVE END)                       |                      |   |       |
| INSULATION CLASS            | E 120  | DUTY                 | AOM   |       |
| THERMAL PROTECTION          | AUTO RESET                                       |                      |   |       |
| RATED CURRENT               | 0.45   | AMPS AT RATED OUTPUT |   |       |
| APPLICATION                 | FAN DRIVE  |                      |   |       |
| MOUNTING                    | TAPPED HOLES IN ENDSHIELD                        |                      |   |       |
| BEARING & LUBRICATION       | 608ZZ WIDE RANGE, LONG LIFE                      |                      |   |       |
| SUPPLY LEAD                 | COLOUR   | PVC GREY             |   |       |
|                             | <input checked="" type="checkbox"/> MULTI STRAND | LENGTH               | 900 <sup>+50</sup> / <sub>0</sub> (45±5 STRIPPED) |       |
|                             | <input type="checkbox"/> SINGLE CORE             | TERMINATION          | BOOTLACES   |       |
|                             |  | Q.C. HOUSING         | NIL   |       |
| EARTH PROVISION             | VIA SUPPLY LEAD                                  |                      |   |       |
| BASIC BUILD SPECIFICATION   |  |                      |   |       |
| PERFORMANCE SPECIFICATION   |  |                      |   |       |
| SHAFT MATERIAL              | MILD STEEL                                       |                      |   |       |
| CONNECTION DIAGRAM          | NIL  | PAINT SPEC           | NIL   |       |

DO NOT SCALE PRINT



MIC 020306  
 No. 311007  
 By: MURFETTR  
 MIC REMOVED MOTOR AND WINDING DETAILS ADDED ±1 TOLERANCE FOR POSITION OF SHAFT CHANGE RATED CURRENT FROM 0.40 TO 0.45 CHANGED SPEED FROM 1300 TO 1270

- SPECIAL REQUIREMENTS**
- 1) ATTACH TO LEAD PLASTIC BAG CONTAINING 3 - SCREWS 3/16" BSW x 8.0mm PAN POSI HD.
  - 2) RUST PREVENTATIVE TO BE APPLIED TO MILD STEEL SHAFTS AFTER ASSEMBLY.
  - 3) 6-MOTORS IN PLAIN BOX.
  - 4) MAX. SCREW PENETRATION 6MM FROM FACE OF THE END SHIELD.

DIMENSIONS IN mm UNLESS OTHERWISE SPECIFIED  
 GENERAL TOLERANCES  
 LINEAR: X = ±1.0  
 XX = ±0.25  
 XXX = ±0.1  
 ANGULAR: X = °  
 XX = ±5°  
 SURFACE FINISHES MAX 3.0 MICRO METRES SYMBOLS PER A.S. 1100  
 This drawing remains the property of Fasco Australia Pty. Ltd. No part or parts of this drawing may be reproduced without written permission.

|          |          |          |  |
|----------|----------|----------|--|
| MATL     |          |          |  |
| FINISH   |          |          |  |
| DRAWN    | MURFETTR | 05/12/06 |  |
| CHECKED  | BALCHANT | 31/10/07 |  |
| RELEASED | BALCHANT | 31/10/07 |  |
| SCALE    | NTS      |          |  |

**FASCO AUSTRALIA**  
 ABN 76 000 010 944  
 1/14 Monterey Road, Dandenong, Victoria

|        |                |             |  |
|--------|----------------|-------------|--|
| FRAME  | MOTOR - 4P 40W |             |  |
| STATUS | R              |             |  |
| SHEET  | DWG. NO.       | 50D509-11AT |  |
| A3     | REVISION       | B           |  |