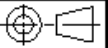


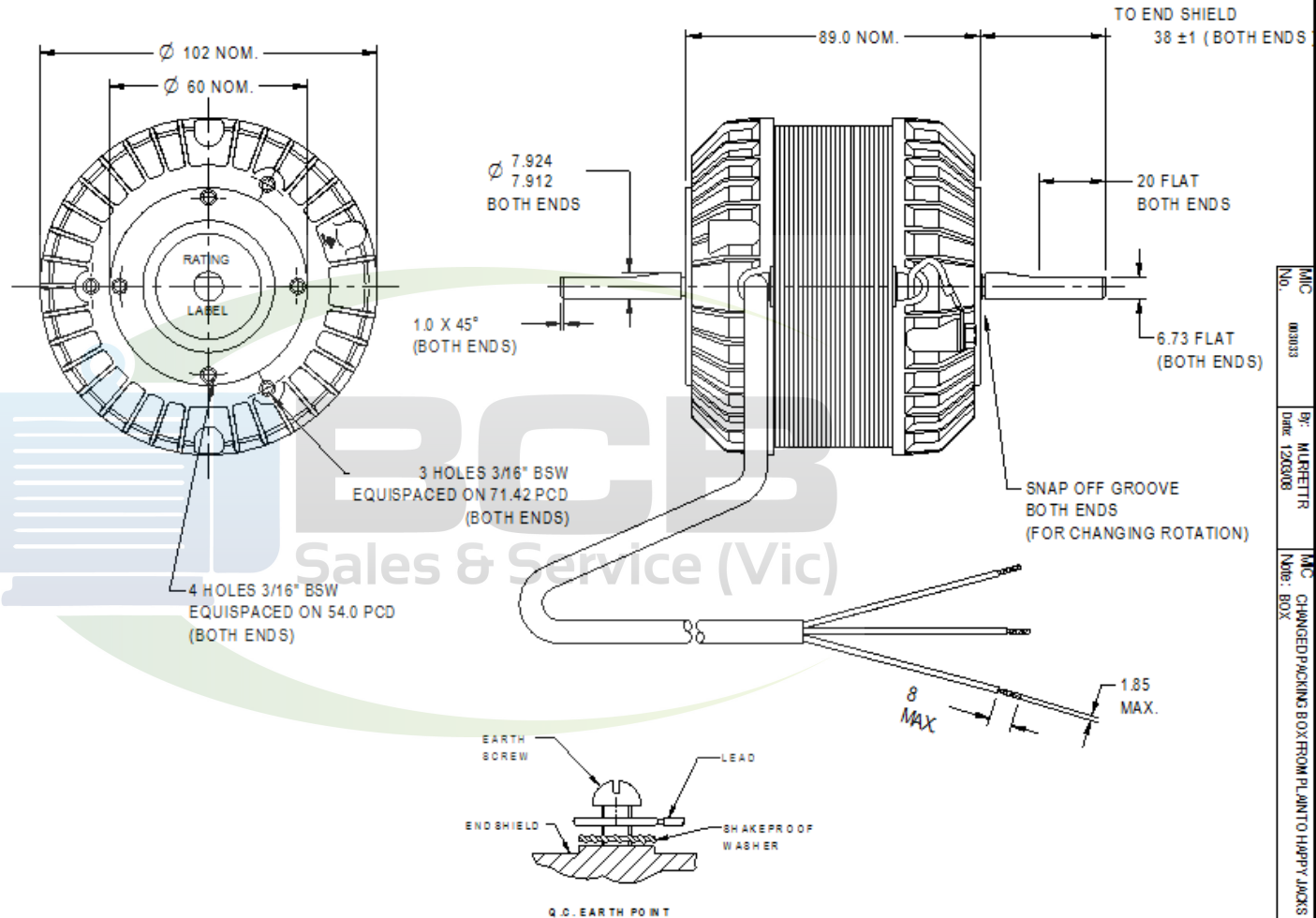
**NOTE:** FASCO AUSTRALIA IS HAPPY TO PROVIDE TECHNICAL ASSISTANCE TO OUR CUSTOMERS IN MANY AREAS. HOWEVER, SINCE FASCO AUSTRALIA IS NOT AWARE OF ALL DATA CONCERNING THE USE AND APPLICATION OF THIS MOTOR, THE SUITABILITY OF THE MOTOR FOR THE APPLICATION MUST BE DETERMINED BY AND IS THE RESPONSIBILITY OF THE CUSTOMER.



### MOTOR SPECIFICATION

CUSTOMER	VARIOUS			
CUSTOMER P.N.				
DR No.	S000969	CAPACITOR	V1/V	
POWER OUTPUT	60W	START	NIL	
MOTOR TYPE	SH/POLE	RUN	NIL	
SUPPLY	VOLTS	HERTZ	PHASE	POLES
	240	50	SINGLE	4
ENCLOSURE	TOTALLY ENCLOSED			
SPEED (RPM) AT RATED OUTPUT	1300	WINDING TYPE		
ROTATION	CLOCKWISE (LEAD END)			
INSULATION CLASS	E 120	DUTY	AOM	
THERMAL PROTECTION	AUTO RESET			
RATED CURRENT	1.15	AMPS AT RATED OUTPUT		
APPLICATION	FAN DRIVE			
MOUNTING	TAPPED HOLES IN ENDSHIELDS			
BEARING & LUBRICATION	608ZZ WIDE RANGE, LONG LIFE			
SUPPLY LEAD	COLOUR	PVC GREY		
	<input checked="" type="checkbox"/> MULTI STRAND	LENGTH	750 <sup>+50</sup> <sub>-0</sub> (45±5 STRIPPED)	
	<input type="checkbox"/> SINGLE CORE	TERMINATION	BOOTLACES	
		O.C. HOUSING	NIL	
EARTH PROVISION	VIA SUPPLY LEAD			
BASIC BUILD SPECIFICATION				
PERFORMANCE SPECIFICATION				
SHAFT MATERIAL	MILD STEEL			
CONNECTION DIAGRAM	NIL	PAINT SPEC	NIL	

DO NOT SCALE PRINT



MAC No. 00003  
By: MURFETTR  
Date: 12/03/08  
MAC No. BOX  
CHANGED PACKING BOX FROM PLANT TO HAPPY JACKS PRINTED

- SPECIAL REQUIREMENTS**
- 1) ATTACH TO LEAD PLASTIC BAG CONTAINING 4 - SCREWS 3/16" BSW x 8.0mm PAN POS HD.
  - 2) RUST PREVENTATIVE TO BE APPLIED TO MILD STEEL SHAFTS AFTER ASSEMBLY.
  - 3) 6-MOTORS IN HAPPY JACKS PRINTED BOX.
  - 4) 1-ONLY INSTRUCTION SHEET 398-060-01 TO BE PLACED IN EACH SIX PACK CARTON.
  - 5) MAX. SCREW PENETRATION 6MM FROM FACE OF THE END SHIELD

DIMENSIONS IN mm UNLESS OTHERWISE SPECIFIED  
GENERAL TOLERANCES  
LINEAR: XX = ±1.0  
          XX = ±0.25  
          XXX = ±0.1  
ANGULAR: XX = 2°  
          XX = ±0.5°  
SURFACE FINISHES MAX. 3.0 MICRON METRES  
SYMBOLS PER A.S. 1102

This drawing remains the property of Fasco Australia Pty. Ltd.  
No part or parts of this drawing may be reproduced without written permission.

MATL			
FINISH			
DRAWN	MURFETTR	05/12/06	
CHECKED	BALCHANT	13/03/08	
RELEASED	BALCHANT	13/03/08	
SCALE	NTS		



ABN 76 000 010 944

1/14 Monterey Road, Dandenong, Victoria

FRAME	
STATUS	R
SHEET	1 OF 1
SCALE	A3

MOTOR -		
4P 60W		
DWG. NO.	50D505-80AT	REVISION
		C