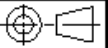


NOTE: FASCO AUSTRALIA IS HAPPY TO PROVIDE TECHNICAL ASSISTANCE TO OUR CUSTOMERS IN MANY AREAS. HOWEVER, SINCE FASCO AUSTRALIA IS NOT AWARE OF ALL DATA CONCERNING THE USE AND APPLICATION OF THIS MOTOR, THE SUITABILITY OF THE MOTOR FOR THE APPLICATION MUST BE DETERMINED BY AND IS THE RESPONSIBILITY OF THE CUSTOMER.



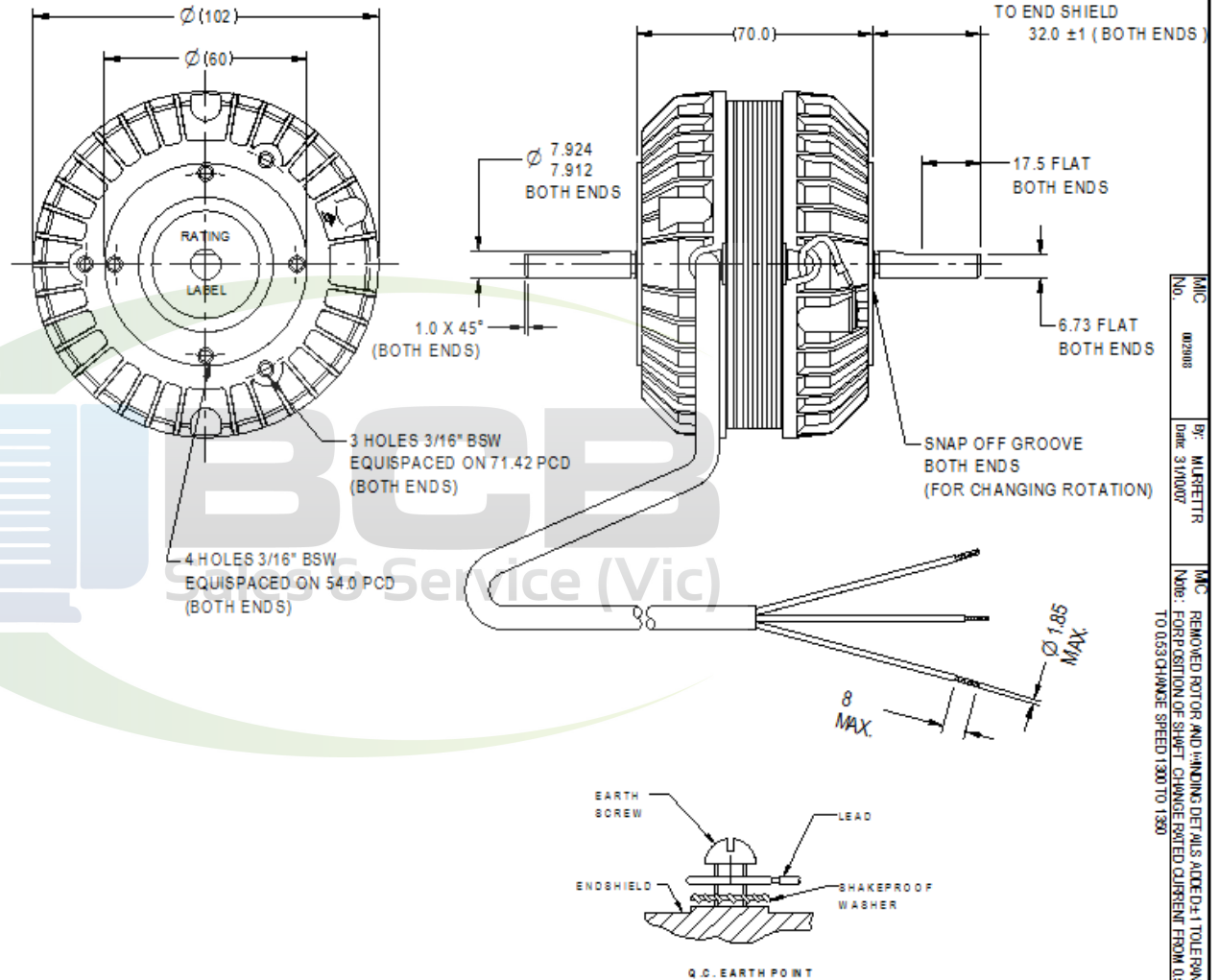
MOTOR SPECIFICATION

CUSTOMER				
CUSTOMER P/N				
DR No.	CAPACITOR	V1/V		
POWER OUTPUT	20W	START	NIL	
MOTOR TYPE	SH/POLE	RUN	NIL	
SUPPLY	VOLTS	HERTZ	PHASE	POLES
	240	50	SINGLE	4
ENCLOSURE	TOTALLY ENCLOSED			
SPEED (RPM) AT RATED OUTPUT	1350	WINDING TYPE	FIXED	
ROTATION	CLOCKWISE - LEAD END			
INSULATION CLASS	E 120	DUTY	AOM	
THERMAL PROTECTION	AUTO RESET			
RATED CURRENT	0.53	AMPS AT RATED OUTPUT		
APPLICATION	FAN DRIVE			
MOUNTING	TAPPED HOLES IN ENDSHIELDS			
BEARING & LUBRICATION	608ZZ WIDE RANGE, LONG LIFE			
SUPPLY LEAD	COLOUR	PVC GREY		
	LENGTH	750 ⁺⁵⁰ / ₋₀ (45 ± 5 STRIPPED)		
<input checked="" type="checkbox"/> MULTI STRAND	TERMINATION	BOOTLACES		
	O.C. HOUSING	NIL		
EARTH PROVISION	VIA SUPPLY LEAD			
BASIC BUILD SPECIFICATION				
PERFORMANCE SPECIFICATION				
SHAFT MATERIAL	MILD STEEL			
CONNECTION DIAGRAM	NIL	PAINT SPEC	NIL	

SPECIAL REQUIREMENTS

- 1) ATTACH TO LEAD IN PLASTIC BAG CONTAINING
 - 4 - SCREWS 3/16" BSW x 8.0mm PAN POSI HD.
 - 4 - SHAKEPROOF EXTERNAL WASHER 5mm I.D.
- 2) RUST PREVENTATIVE TO BE APPLIED TO MILD STEEL SHAFTS AFTER ASSEMBLY.
- 3) 6-MOTORS IN HAPPY JACKS PRINTED BOX.
- 4) 1-ONLY INSTRUCTION SHEET 398-060-01 TO BE PLACED IN EACH SIX PACK CARTON.
- 5) MAX. SCREW PENETRATION 6MM FROM FACE OF THE END SHIELD

DO NOT SCALE PRINT



MIC No. 002008
 BY: MURFETTR Date: 31/10/07
 MIC REMOVED ROTOR AND WINDING DETAILS ADDED. TOLERANCE FOR POSITION OF SHEET CHANGE POINT CURRENT FROM 0.5 TO 0.55 CHANGE SPEED 1300 TO 1350

DIMENSIONS IN mm UNLESS OTHERWISE SPECIFIED
GENERAL TOLERANCES
LINEAR: XX = ±1.0
XX = ±0.25
XXX = ±0.1
ANGULAR: XX = 2°
XX = ±0.5°
SURFACE FINISHES MAX. 3.0 MICROMETRES
SYMBOLS PER A.S. 1102

This drawing remains the property of Fasco Australia Pty. Ltd. No part or parts of this drawing may be reproduced without written permission.

MATL		
FINISH		
DRAWN	MURFETTR	05/12/06
CHECKED	BALOHANT	31/10/07
RELEASED	BALOHANT	31/10/07
SCALE	NTS	



ABN 78 000 010 944
 1/14 Monterey Road, Dandenong, Victoria

FRAME		
STATUS	R	
SHEET	A3	
DWG. NO.	50D502-80AT	
REVISION	B	

-MOTOR -
 4P 20W