

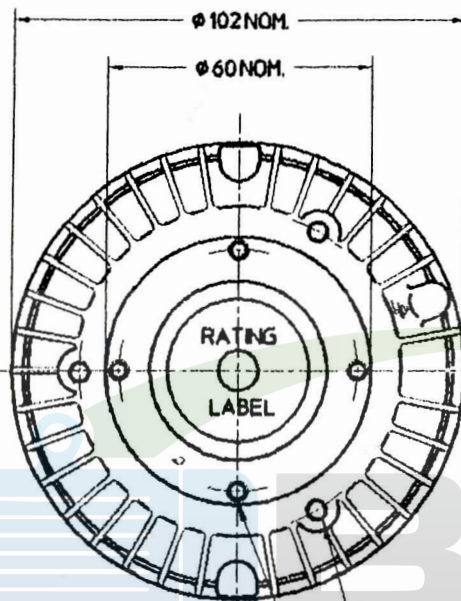
NOTE: BROOK CROMPTON BETTS IS HAPPY TO PROVIDE TECHNICAL ASSISTANCE TO OUR CUSTOMERS IN MANY AREAS. HOWEVER, SINCE BROOK CROMPTON BETTS IS NOT AWARE OF ALL DATA CONCERNING THE USE AND APPLICATION OF THIS MOTOR, THE SUITABILITY OF THE MOTOR FOR THE APPLICATION MUST BE DETERMINED BY AND IS THE RESPONSIBILITY OF THE CUSTOMER

3RD ANGLE PROJECTION



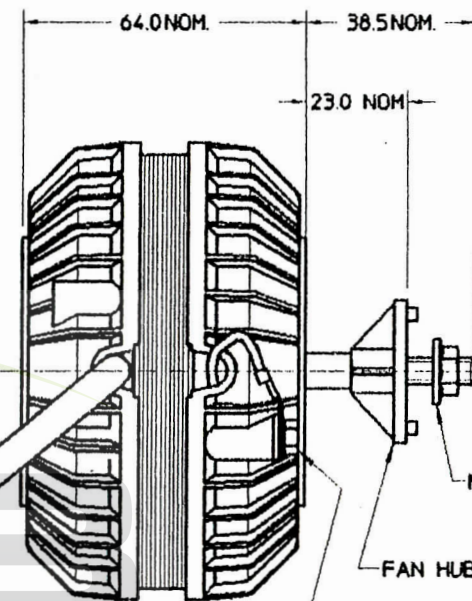
# MOTOR SPECIFICATION

MOTOR No.	BCB No.	50D501-81A	
	CUSTOMER		
G.R. No.	CAPACITOR	uf/V	
POWER OUTPUT	13 W	START	NIL
MOTOR TYPE	SH/POLE	RUN	NIL
SUPPLY	VOLTS	HERTZ	PHASE
	240	50	SINGLE
ENCLOSURE	TOTALLY ENCLOSED		
SPEED (RPM) AT RATED OUTPUT	1300	WINDING TYPE	
ROTATION	ANTICLOCKWISE (DRIVE END)		
INSULATION CLASS	E 120	DUTY	AOM.
THERMAL PROTECTION	AUTO RESET		
SUPPLY CURRENT	0.30 AMPS AT RATED OUTPUT		
APPLICATION	FAN DRIVE		
MOUNTING BEARING & LUBRICATION	TAPPED HOLES IN ENDSHIELD BALL. WIDE RANGE, LONG LIFE		
SUPPLY LEAD	COLOUR	GREY	
	<input checked="" type="checkbox"/> FLEX	LENGTH	1200:30 (45:8 STRIPPED)
	<input type="checkbox"/> SINGLE CORE	TERMINATION	BOOTLACES
		FIXING	NIL
EARTH PROVISION	VIA SUPPLY LEAD.		
BASIC BUILD SPECIFICATION	305-498-01		
PERFORMANCE SPECIFICATION	SP54002-01		
MOUNTING SPECIFICATION			
CONNECTION DIAGRAM	NIL.	PAINT SPEC.	NIL



4 HOLES 3/16 BSW  
EQUISPACED ON 54.00 PCD.

3 HOLES 3/16 BSW  
EQUISPACED ON 71.42 PCD.



4 HOLES 3/16 BSW  
EQUISPACED ON 54.00 PCD.

**CONTROLLED COPY**

**ISSUED**  
28 AUG 1996  
DESTROY ALL PRINTS BEARING  
PREVIOUS ISSUE



UNLESS OTHERWISE SPECIFIED  
DIMENSIONS IN MILLIMETRES  
GENERAL TOLERANCES  
1 PLACE OF DECIMALS ± 0.3  
2 PLACES OF DECIMALS ± 0.1  
ANGLES ± 30 MINUTES  
SURFACE FINISHES SPECIFIED IN  
MICRO METRES, MAX 3.0  
SYMBOLS - A 5.100

THIS DRAWING REMAINS THE PROPERTY OF  
BROOK CROMPTON BETTS PTY. LIMITED  
MAY NOT BE USED, COPIED OR ISSUED  
WITHOUT WRITTEN PERMISSION

	BY	
DRAWN	ZB	08.
CHECKED	SW	23.
RELEASED	SW	23.
SCALE		

BCB SALES & SERVICE  
PH: 03 9546 3833  
FAX: 03 9546 3356

MOTOR D SERIES  
DRG No. 50D501-81A

- SPECIAL REQUIREMENTS**
- SCREWS 3/16" BSW X 8.0mm PAN POSI HD. & SHAKEPROOF EXTERNAL WASHERS SUPPLIED LOOSE (3 OFF EACH)
  - MAX. SCREW PENETRATION 6.0mm

DO NOT SCALE DRAWING

ACN 000 010 944

A3

REVISION F

DWG 50D501-81A  
REV F  
DATE CP 19.08.96