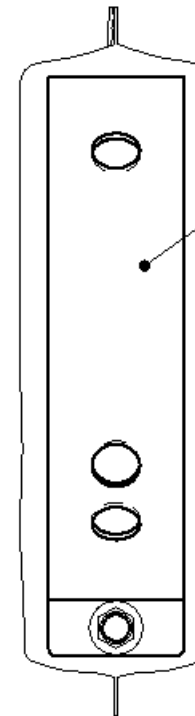
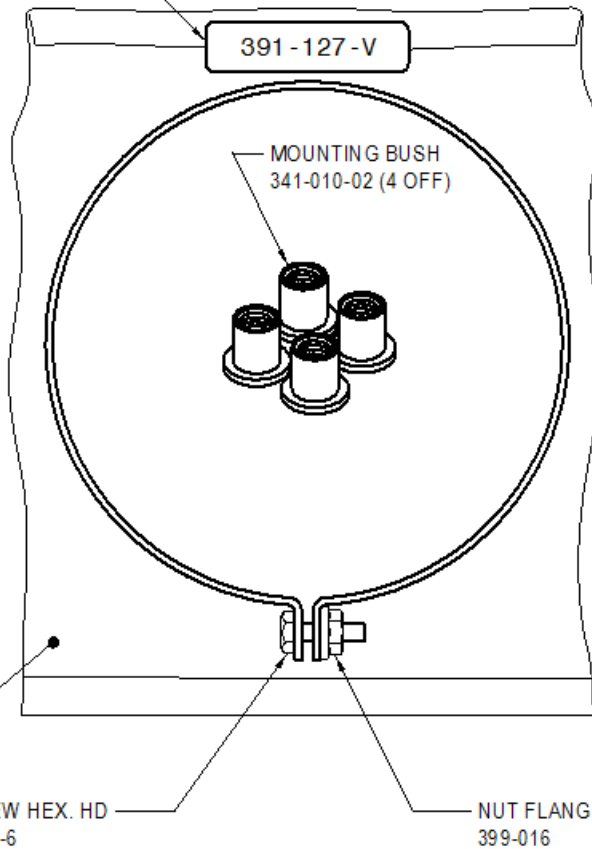




LABEL STICKER
TO CLOSE THE BAG
PR006340



MOUNTING BAND
450-005-02

SCALE 1:2

M/C No. 008594

By: CHAWALIT
Date: 08-09-04

M/C REVISE DRAWING.
Note:

UNLESS OTHERWISE SPECIFIED :
DIMENSIONS ARE IN MM.
TOLERANCES

| DECIMALS | ANGULAR |
|-----------|---------|
| .X ± 0.3 | ± 30' |
| .XX ± 0.1 | |

THIS DRAWING REMAINS THE PROPERTY OF FASCO MOTORS AND MAY NOT BE USED, COPIED OR ISSUED WITHOUT WRITTEN PERMISSION FROM FASCO MOTORS

| | | |
|--------------|---------------------|----------|
| MATL& FINISH | REFER BOM | |
| DRAWN | CHAWALIT | 12-05-03 |
| CHECKED | PIPAT | 09-09-04 |
| RELEASED | JITWAT | 16-09-04 |
| SCALE | 1 : 1 UNLESS STATED | |



29/7-8 MOO 3, BANGKRUAY - SAINOI
Rd., BANGKRANG, MUANG
NONTABURI DISTRICT, NONTABURI
11000 THAILAND

| |
|--------------------|
| FRAME |
| STATUS R |
| SHEET A4 |

| | |
|---|----------------------|
| KIT MOUNTING BUSH PCD 180.5-3/8" BSW | |
| DWG. NO. 391-127-V | REVISION C |