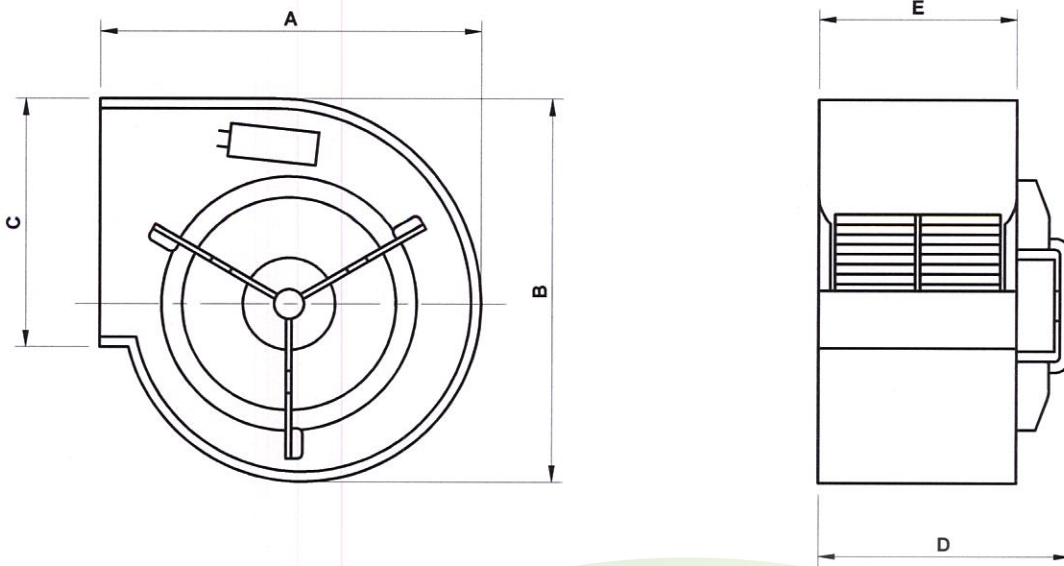


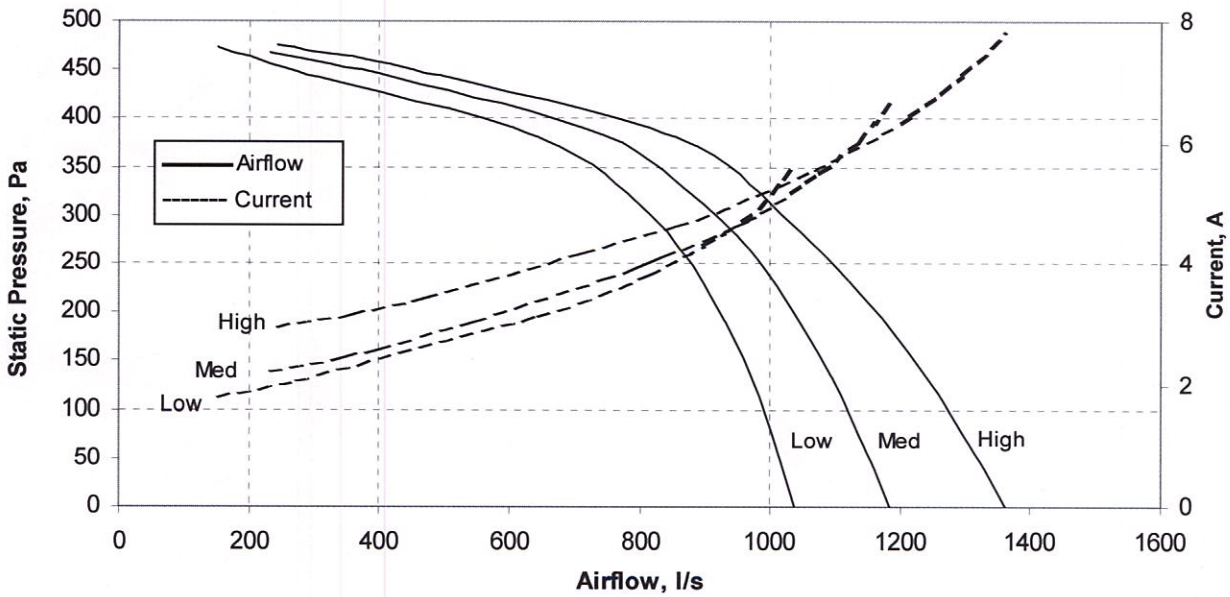
10x10 blower with 750W motor



Part Number	A	B	C	D	E
FB 10x10-750-01	421	438	289	383	333

Motor					
Rated Output 750W	Supply 240V/50Hz	Rated RPM 1360	Rated Current 4.9 amps	Capacitor 20uF/440V	Insulation Class B 130
Enclosure IP20	Thermal Protection Auto Reset Overload		Duty AOM		

Wheels	
Glass Filled Nylon with plated mild steel hub	



Dimensions

Product Data

Performance