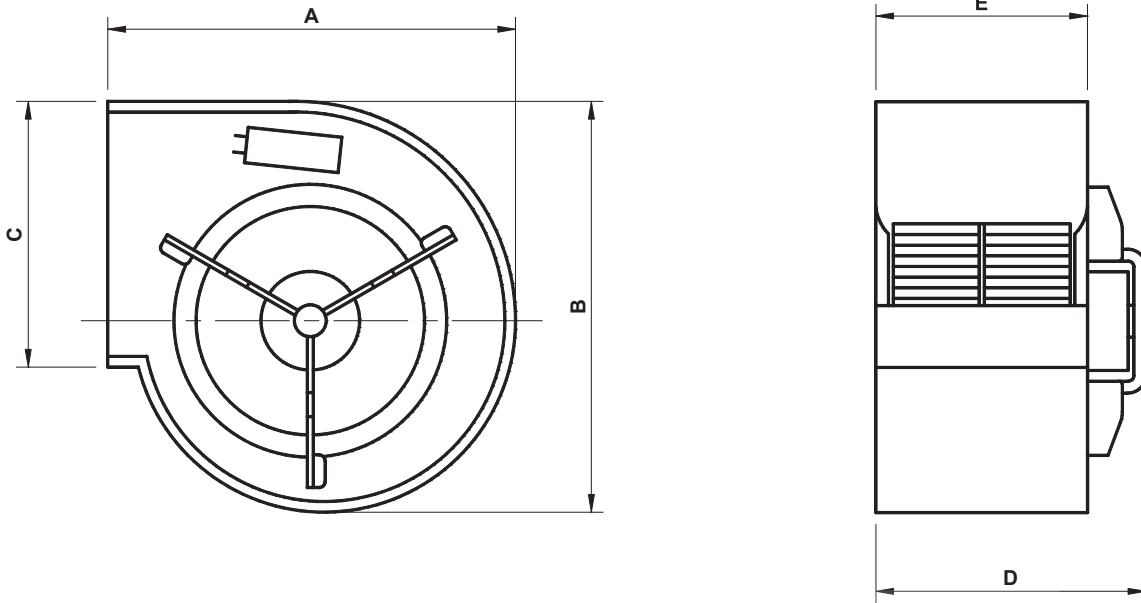


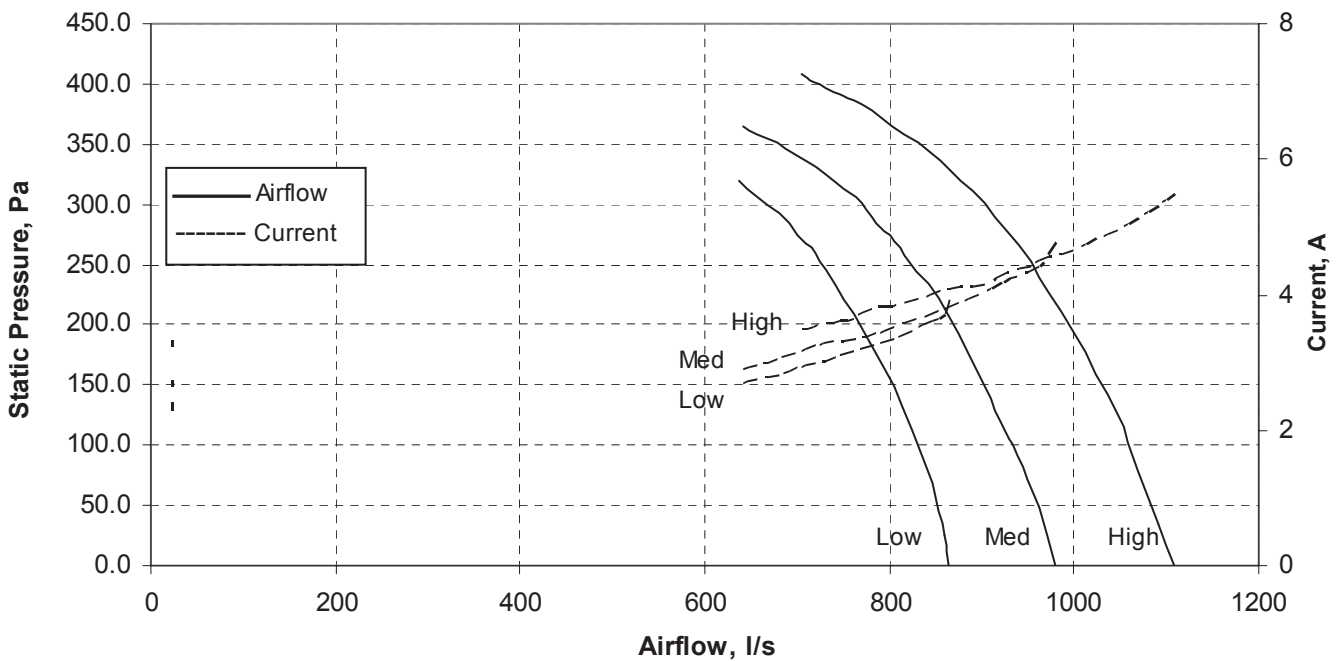
10x10 blower with 600W motor



Part Number	A	B	C	D	E
FB 10x10-600-13	421	445	292	380	333

Motor					
Rated Output 600W	Supply 240V/50Hz	Rated RPM 1200	Rated Current 4.4 amps	Capacitor 15uF/440V	Insulation Class B 130
Enclosure IP20	Thermal Protection Auto Reset Overload		Duty AOM		

Wheels
Glass Filled Nylon or Glass Filled Polypropylene with plated mild steel hub



Dimensions

Product Data

Performance