



Wolff vanity unit

Recommended installation guide

Contents

Once you have everything out of the box, you will have:

- 2 x shelves (top & bottom)
- 2 x angles (one affixed to each shelf) please note that the centre is marked on each angle
- 2 x legs with screw jack feet, protected with shrink wrap - please note the shrink wrap must be left on the leg until legs are installed
- 4 x screws for affixing angles to shelves

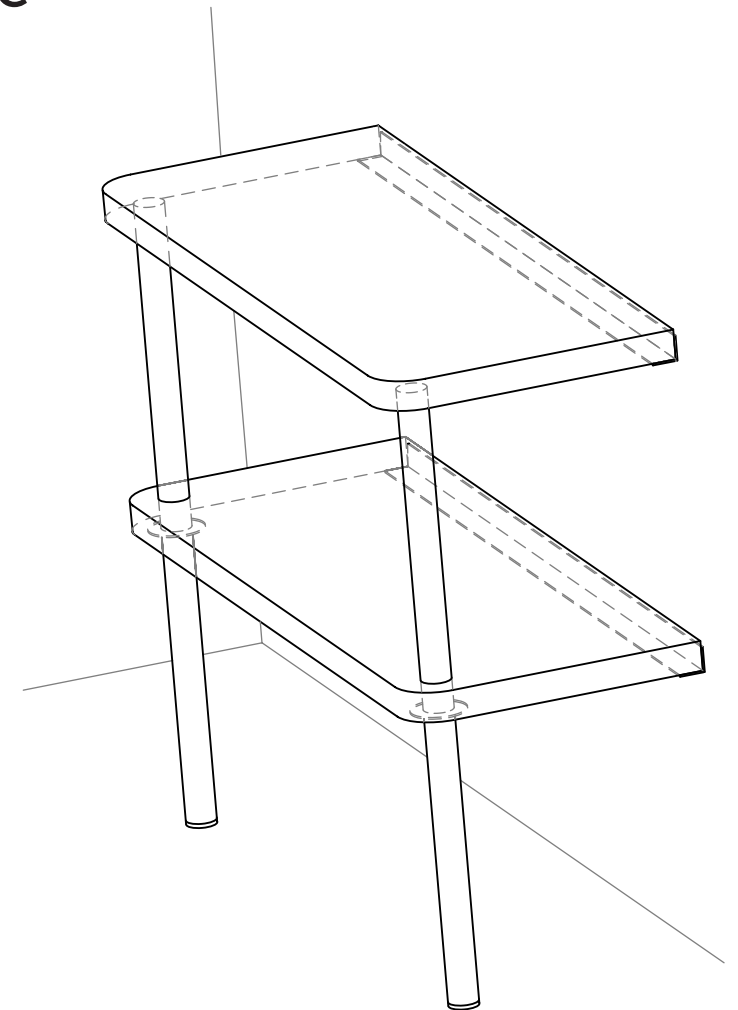
What you need

- pencil
- measuring tape
- level
- drill with #2 square drive
- 4 x suitable wall fixings (e.g. wall plugs for masonry, adequate timber screws for studs)
- a drill bit suitable to your wall fixings
- a counter-sink bit suitable to your wall fixings

Installation

Your Wolff vanity unit must be fixed to appropriate fixing points in your wall, ie:

- studs
- blocks
- brick

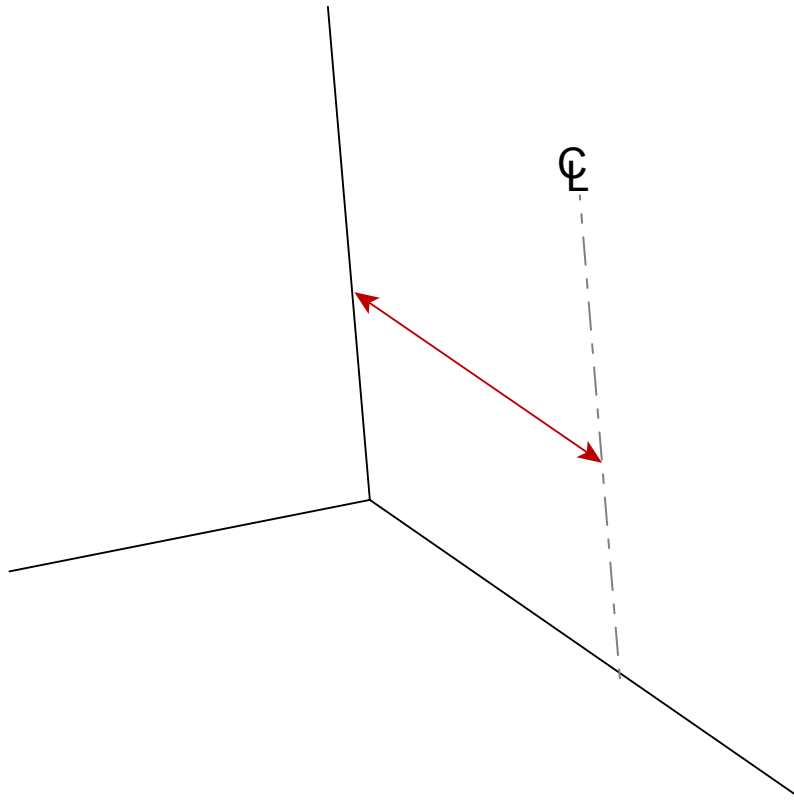


hello@woodmelbourne.com

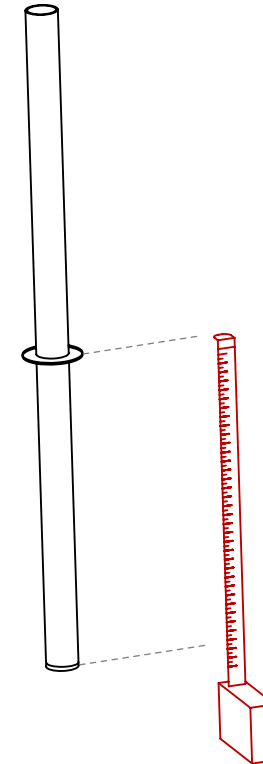


Wolff vanity unit

Installation steps



1. Choose the location for your Wolff vanity unit
2. Measure the width of your vanity unit and mark the centre line onto the wall

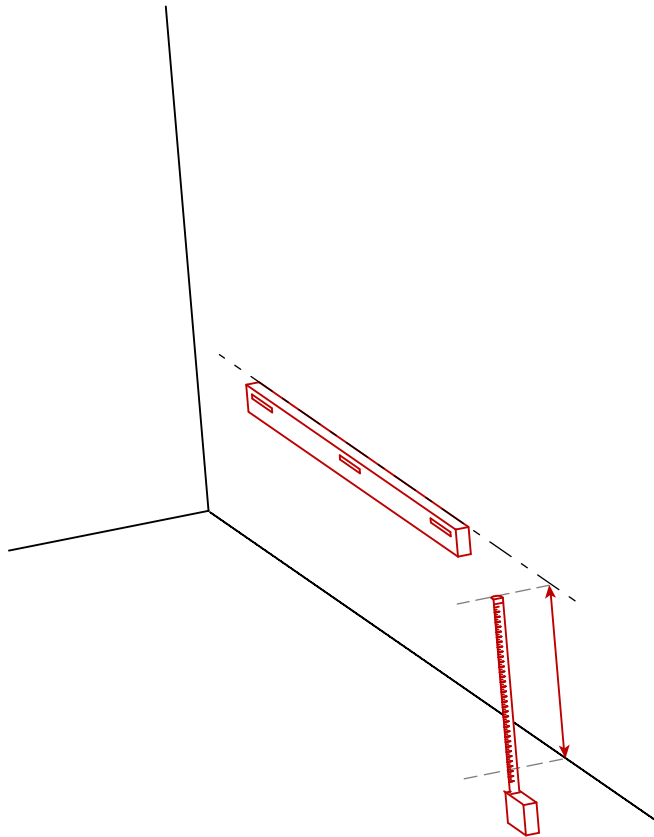


3. Check your floor for level by placing the level along the floor approximately where the feet will go
4. Measure the height of the leg disc, measure from the bottom of the leg to the disc - note: loosen the screw jack feet a little before measuring

hello@woodmelbourne.com

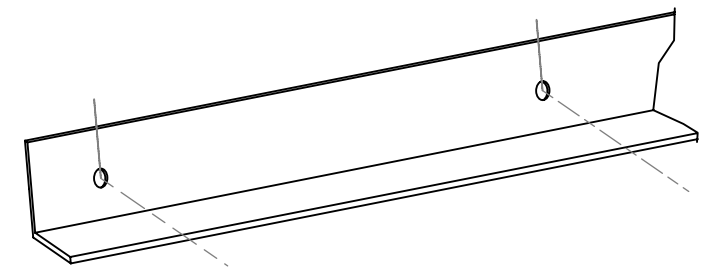


Wolff vanity unit



5. Mark the leg height measurement onto the wall - note: measure from the highest point of the floor level. This is where the underside of the lower shelf angle will be affixed.

6. Use your level to mark the fixing line.



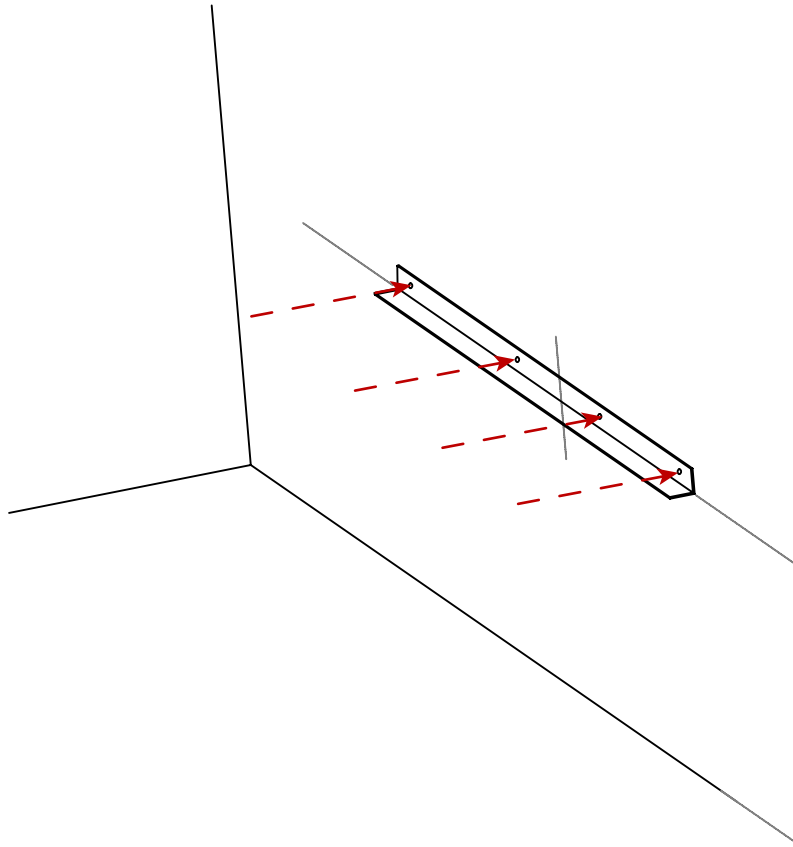
7. Find adequate fixing points on your wall and mark these onto your angle - note: ensure the centre mark on the angle aligns with the centre line on the wall.

8. Use your appropriate drill bit to drill out the fixing holes on the angle.

hello@woodmelbourne.com

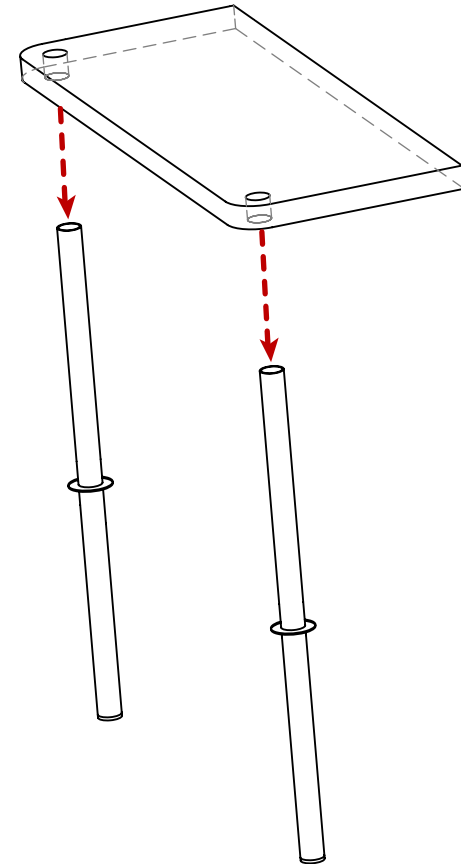


Wolff vanity unit



9. Use your counter-sink bit to counter-sink the fixing holes on the angle.
10. Affix the angle to the wall - note: the angle must sit above the line; remember to align the centre mark of the angle with the centre line marked on the wall.

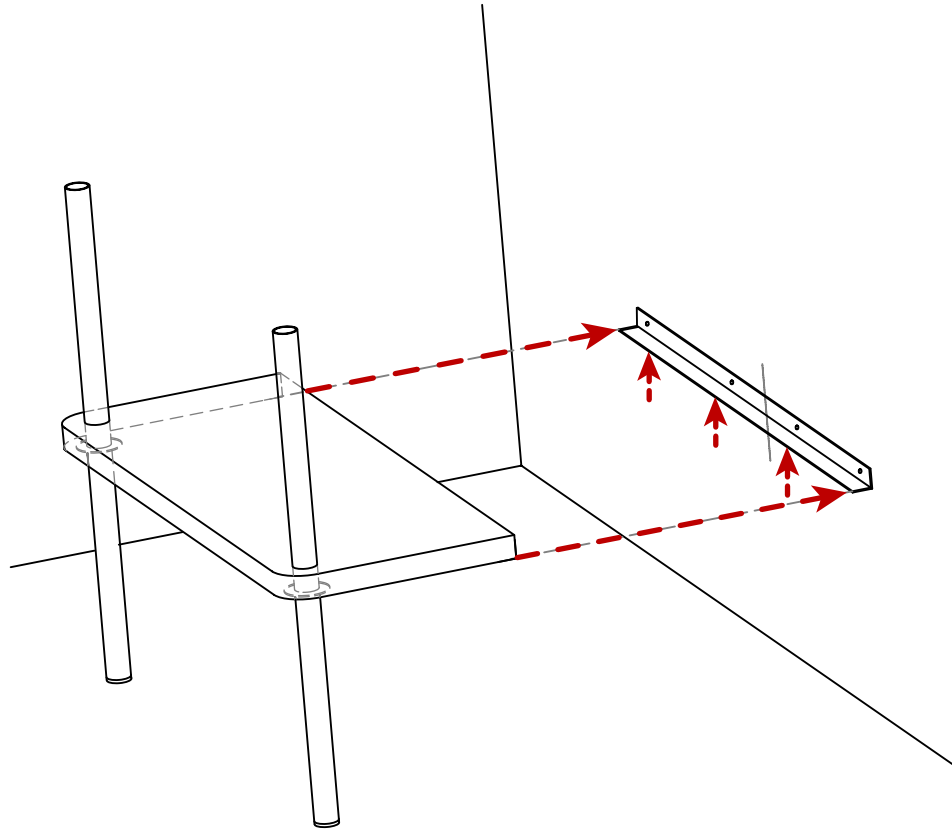
hello@woodmelbourne.com



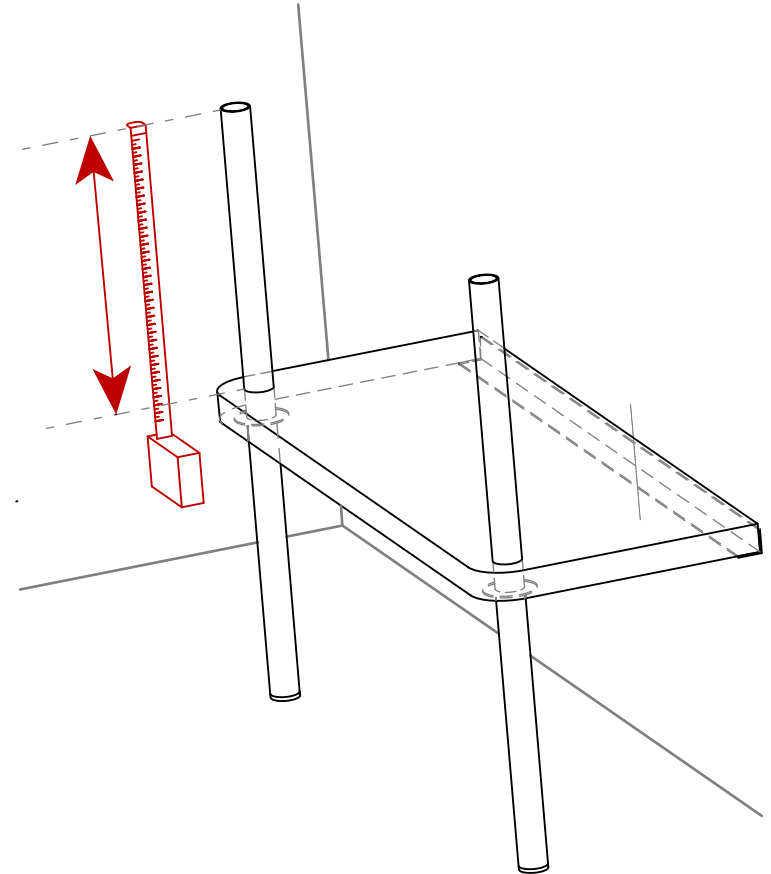
11. Gently slide legs through lower shelf - note: discs must sit on the under side of the shelf. Be careful not to remove the protective wrap.



Wolff vanity unit



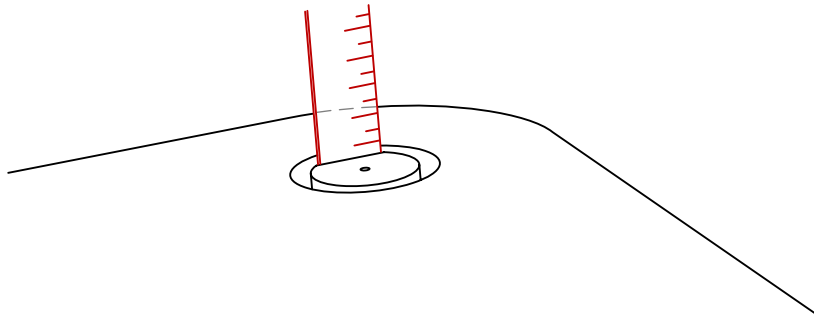
12. Use #2 square drive to fix shelf onto angle.
13. Level shelf using screw jack feet (clockwise = higher, anti-clockwise = lower).



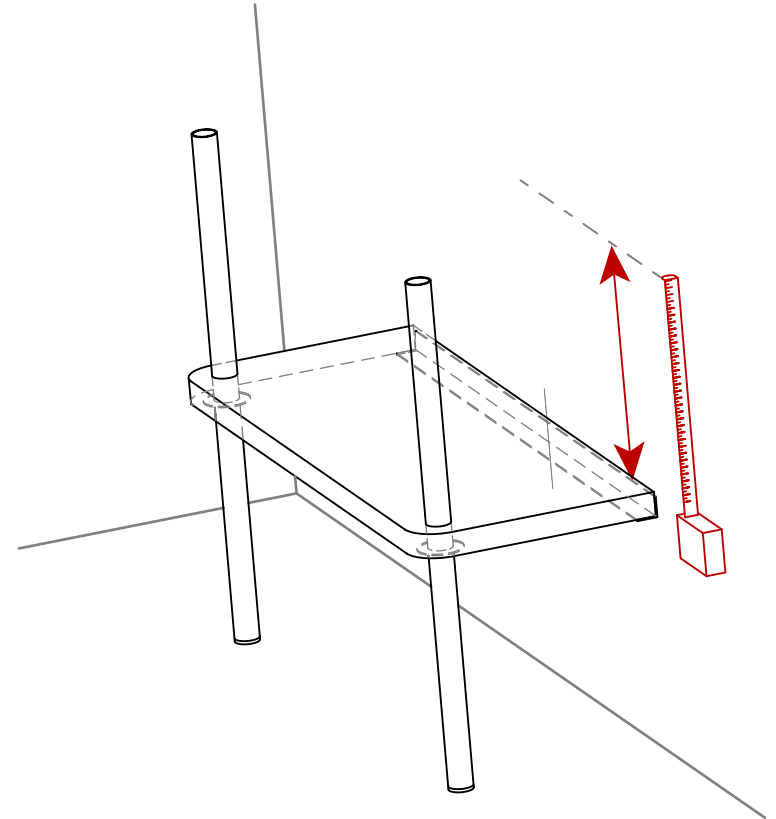
14. Measure from top of shelf to top of leg.



Wolff vanity unit



15. Measure inside the round notch-out on the underside of the top shelf (approx 10-12mm).

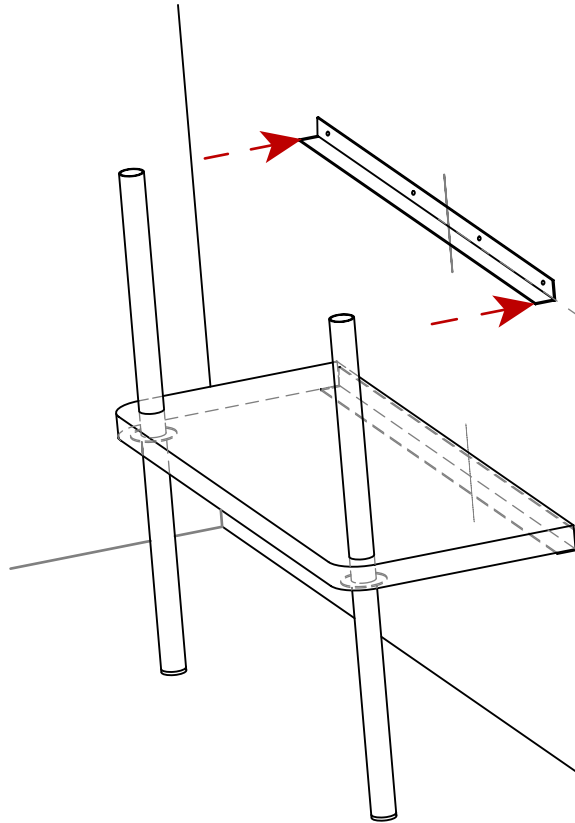


16. Deduct the notch height from the leg height and mark this height on the wall - note: use your level to mark the line. This is the line where the underside of the top shelf angle will sit.

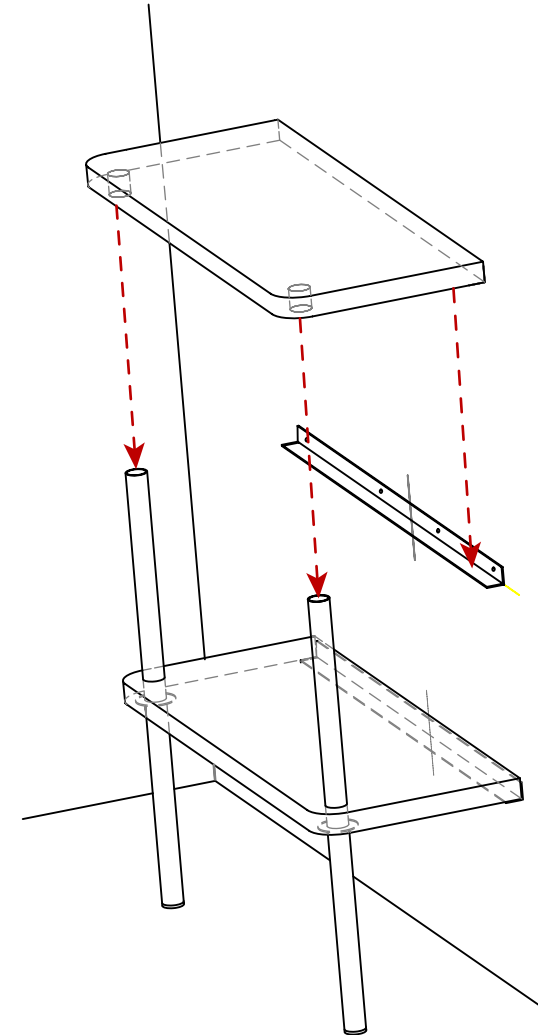
hello@woodmelbourne.com



Wolff vanity unit



17. Mark the fixing points onto the angle and drill out and countersink holes.
18. Affix the angle to the wall - note: remember to align the centre mark of the angle to the centre line on the wall.



19. Gently remove the protective leg covers.
20. Fit the top shelf onto angle and legs.
21. Fix shelf to bracket, using the fixings provided and a #2 square bit.

hello@woodmelbourne.com