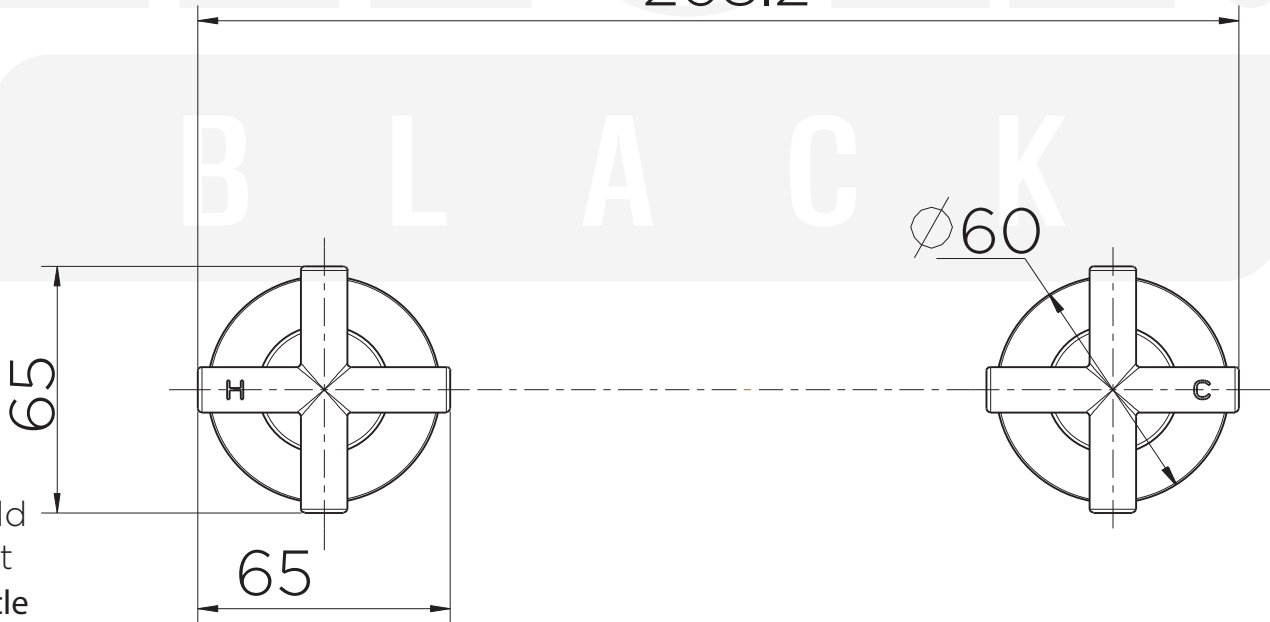


268.2



C Cold  
H Hot  
∅ Circle