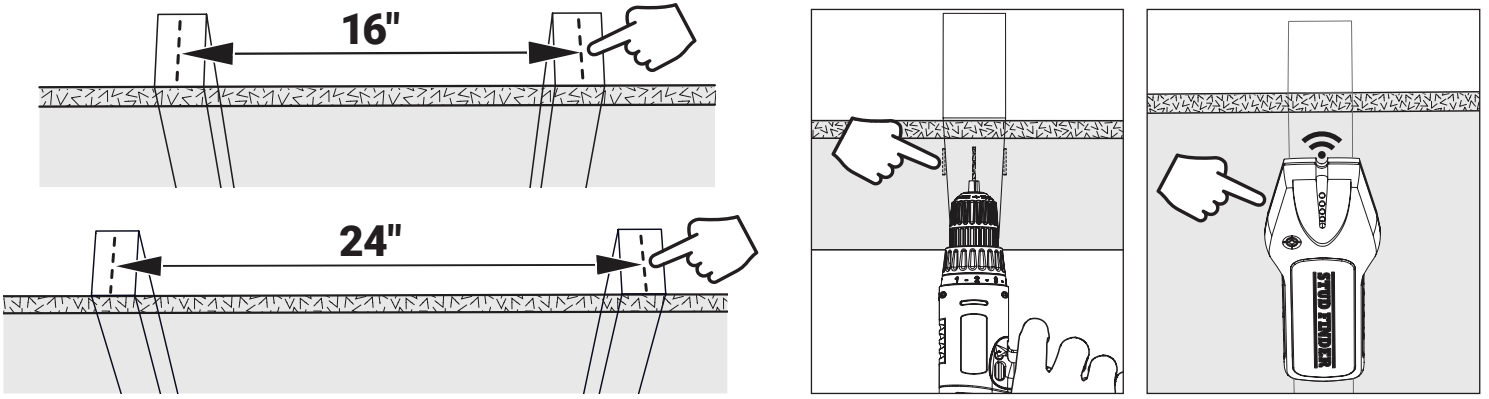


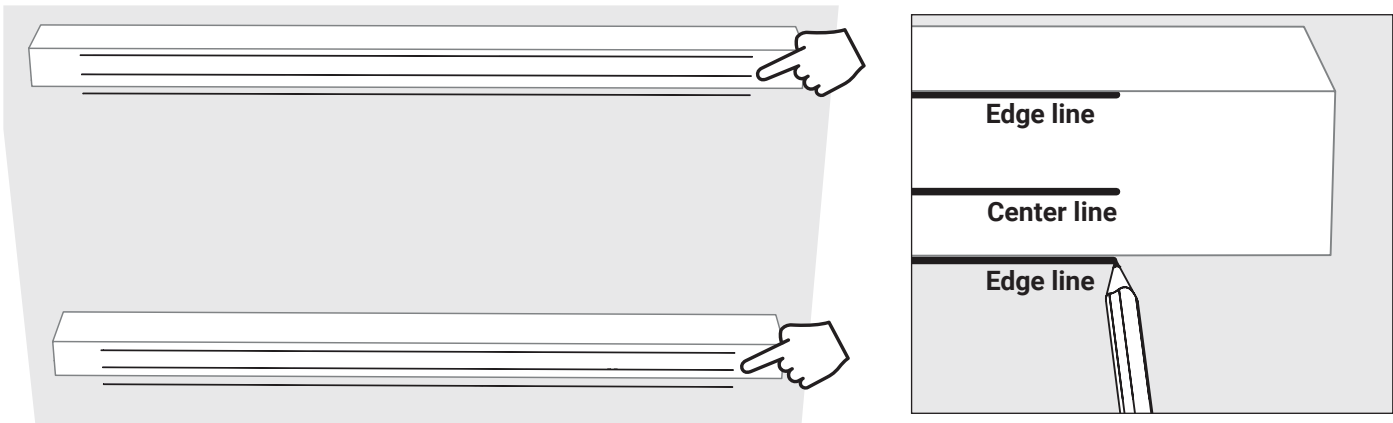
INSTALLATION (PER SET)

STEP 1: FIND MOUNT TYPE

a) By drilling small holes or using a stud finder, find out if your ceiling joists are 16" or 24" on center.

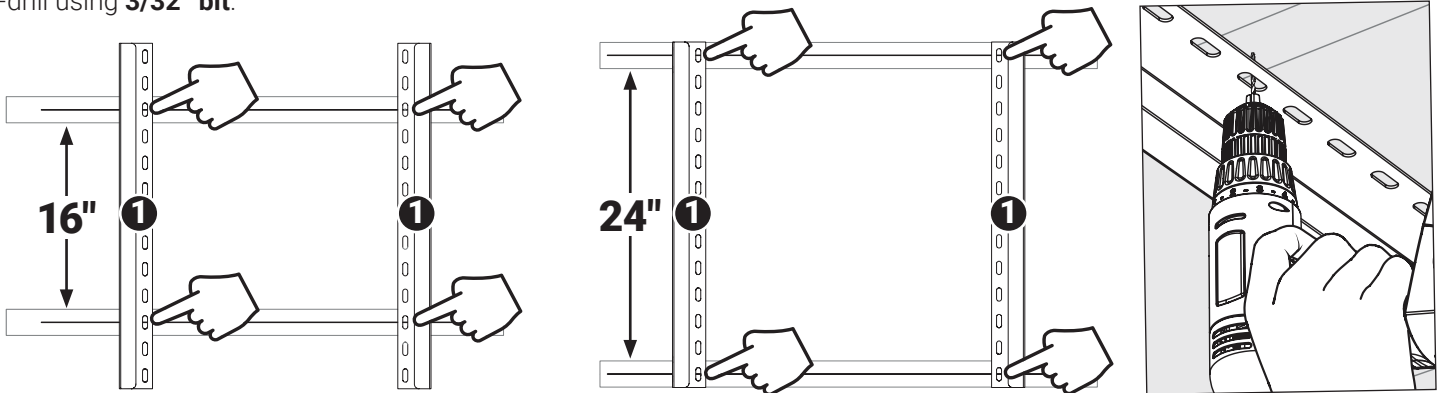


b) When found, mark the edges and center of the ceiling joists.

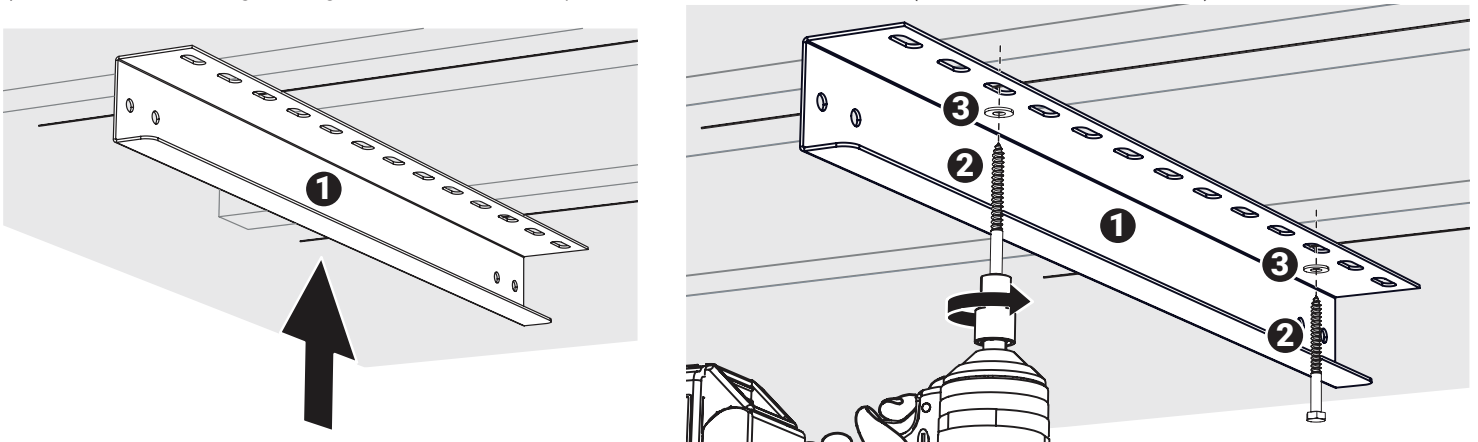


STEP 2: INSTALL 1 OF 2 RAILS

a) Using the center markings of 2 opposite ceiling joists, find the most appropriate/balanced slots on the top face of the rail and pre-drill using 3/32" bit.

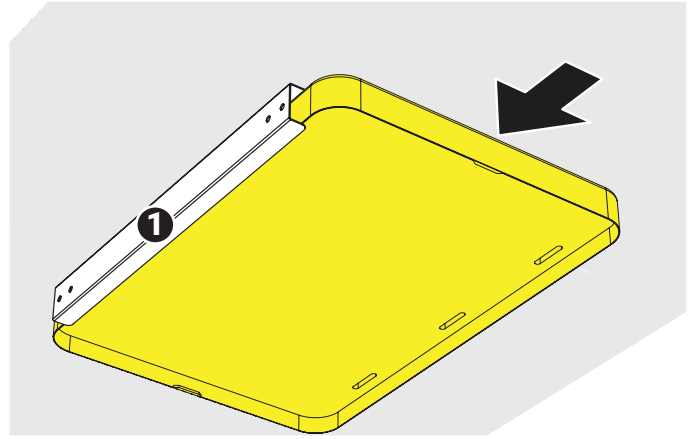
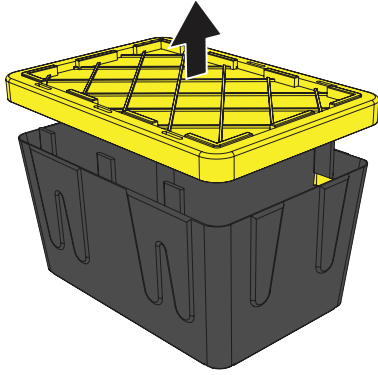


a) Screw the rail using the lag bolts and washers provided in the installation kit (**DO NOT OVERTIGHTEN**).

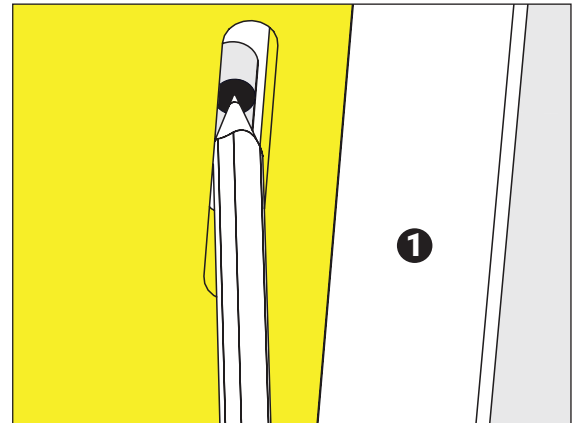
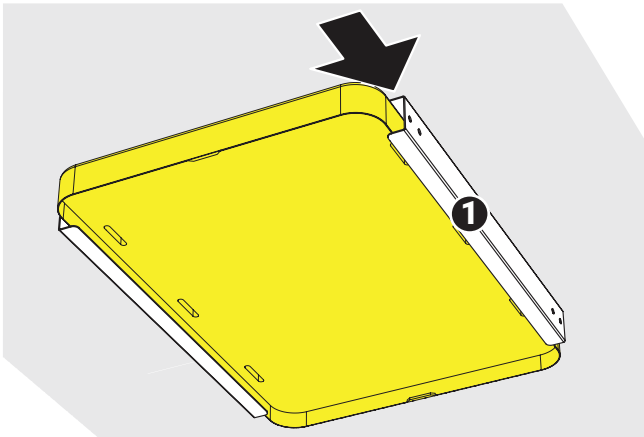


STEP 3: FIND MOUNTING DISTANCE OF 2ND RAIL

a) Slide the lid of your bin into the first installed rail.

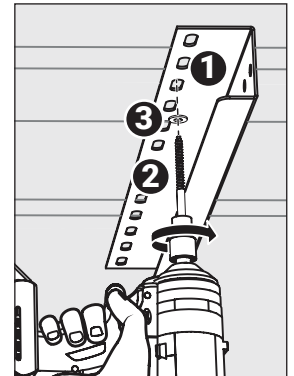
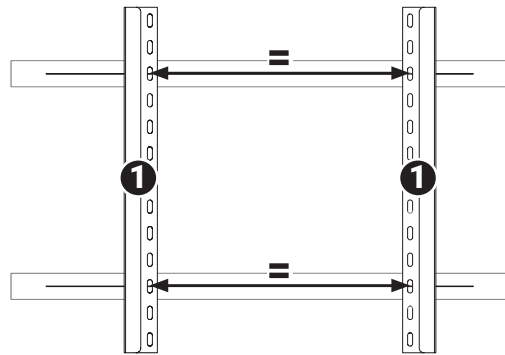
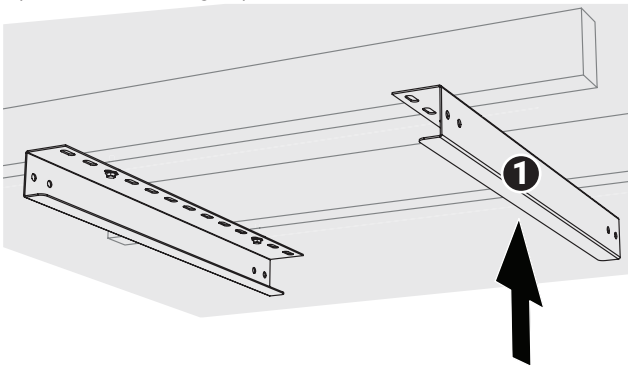


b) Slide the second rail on top of the lid and mark the appropriate mounting slots.



STEP 4: INSTALL 2 OF 2 RAILS

a) Screw one side of the second rail onto the center of the joist and ensure that the rails are the same distance apart using a square, measuring tape, laser, or bin lid.



b) Screw in the remaining slots, and test the fit using an empty storage bin.

