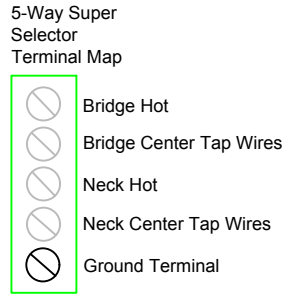


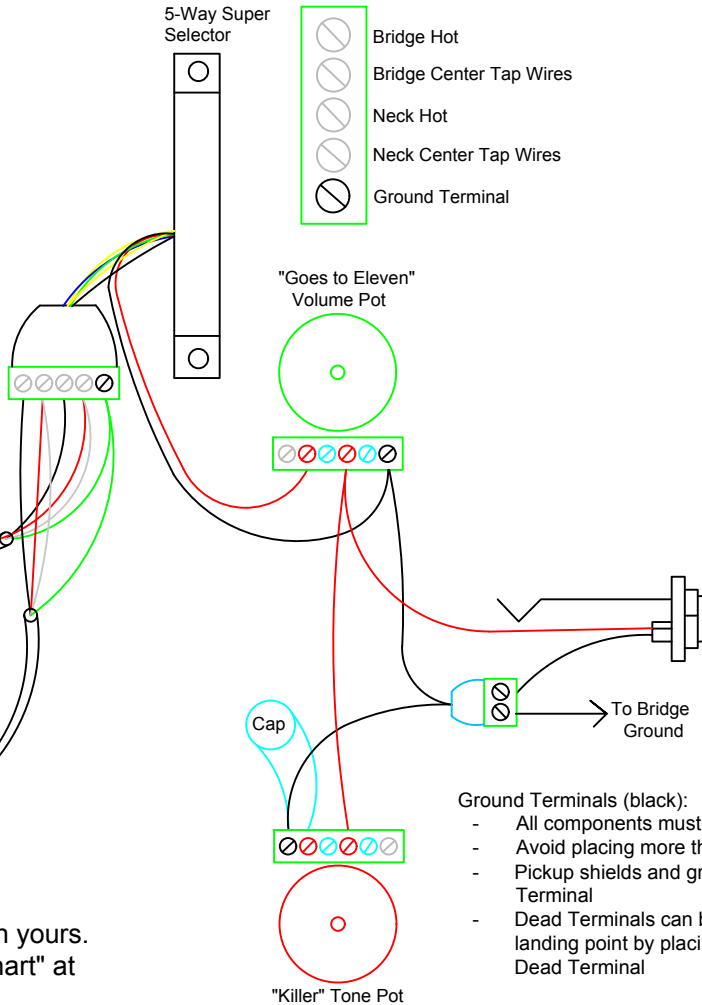
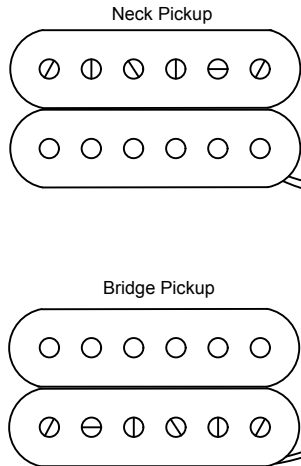


# TERMINATOR

## SVST-IBZ

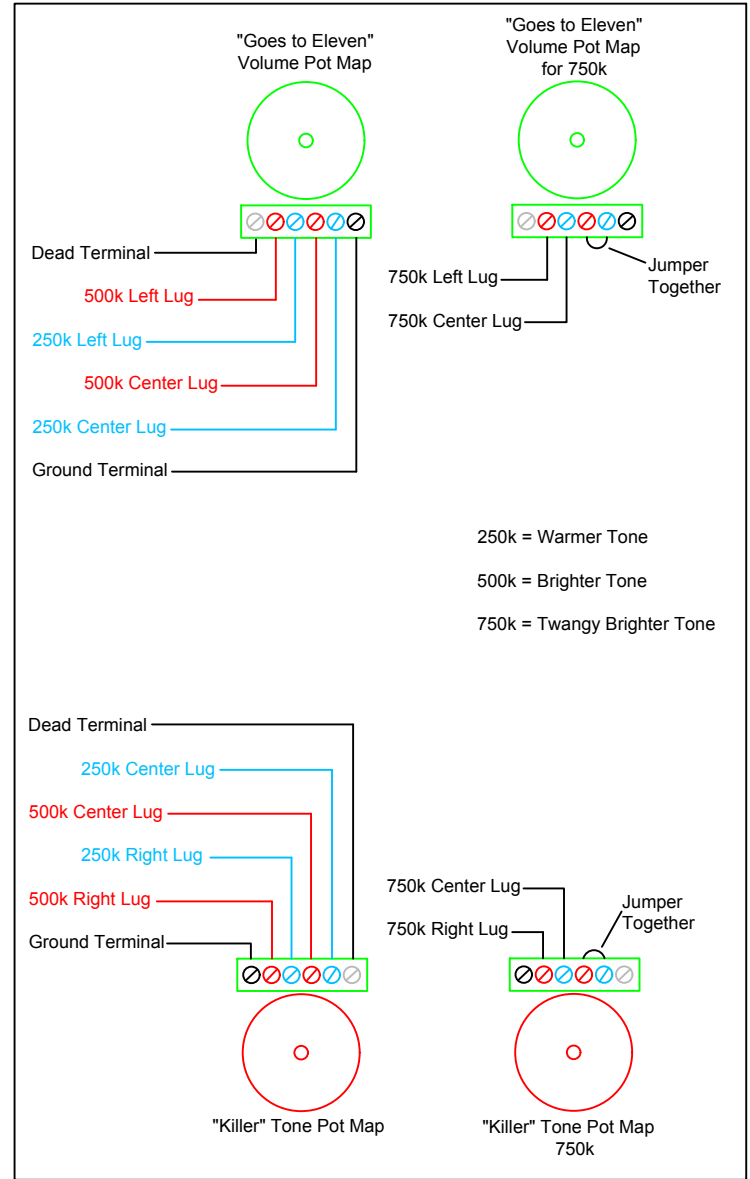


Four Wire Pickup Leads:  
 Black - Hot  
 Red & White - Center Tap  
 Green & Shield - Ground



Pickup wire colors may differ than yours.  
 See "Pickup Cross Reference Chart" at [madhatterguitarproducts.com](http://madhatterguitarproducts.com)  
 to verify your pickup wire color configuration.

- Ground Terminals (black):
- All components must be interconnected with a ground wire
  - Avoid placing more than three wires per Ground Terminal
  - Pickup shields and ground wires can be placed on any Ground Terminal
  - Dead Terminals can be utilized as an additional ground wire landing point by placing a jumper from a Ground Terminal to the Dead Terminal



250k = Warmer Tone  
 500k = Brighter Tone  
 750k = Twangy Brighter Tone

Customer Support:  
[info@madhatterguitarproducts.com](mailto:info@madhatterguitarproducts.com)