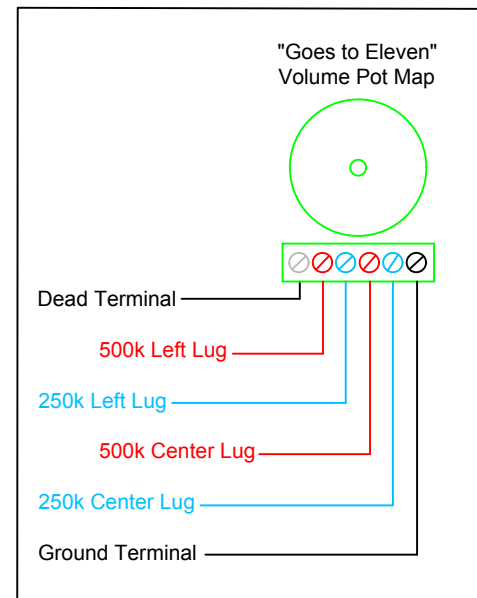
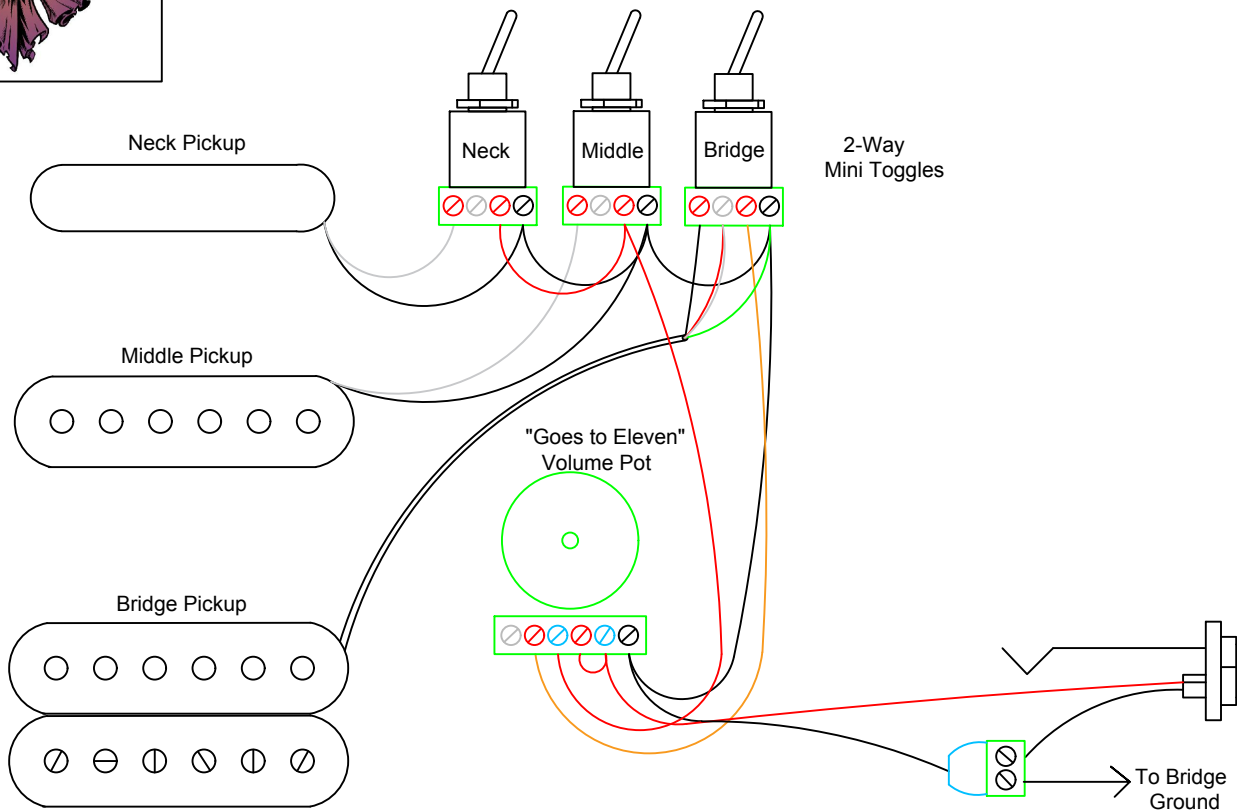




TERMINATOR

SV-3M Synchronized



Four Wire Pickup Leads:
 Black - Hot
 Red & White - Center Tap
 Green & Shield - Ground

Ground Terminals (black):

- All components must be interconnected with a ground wire
- Avoid placing more than three wires per Ground Terminal
- Pickup shields and ground wires can be placed on any Ground Terminal
- Dead Terminals can be utilized as an additional ground wire landing point by placing a jumper from a Ground Terminal to the Dead Terminal

Pickup wire colors may differ than yours.
 See "Pickup Cross Reference Chart" at
madhatterguitarproducts.com
 to verify your pickup wire color configuration.

The Terminator is Patent Pending

Customer Support:
info@madhatterguitarproducts.com