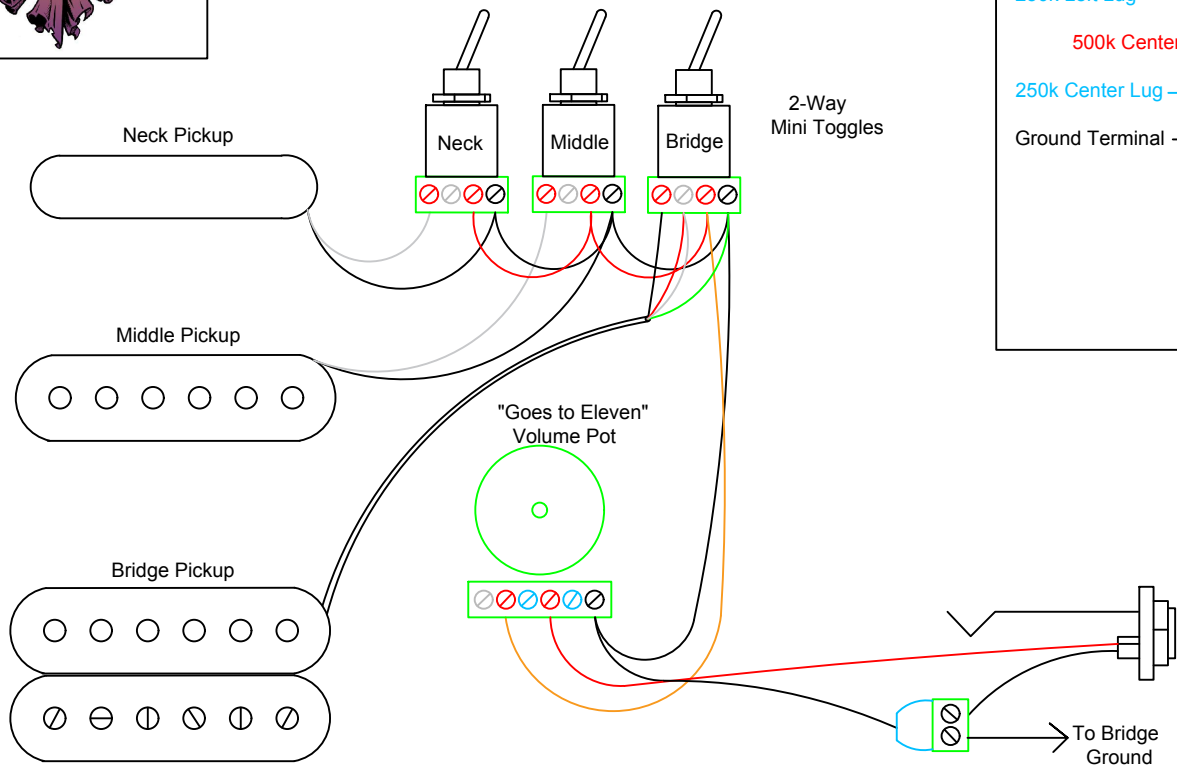




# TERMINATOR

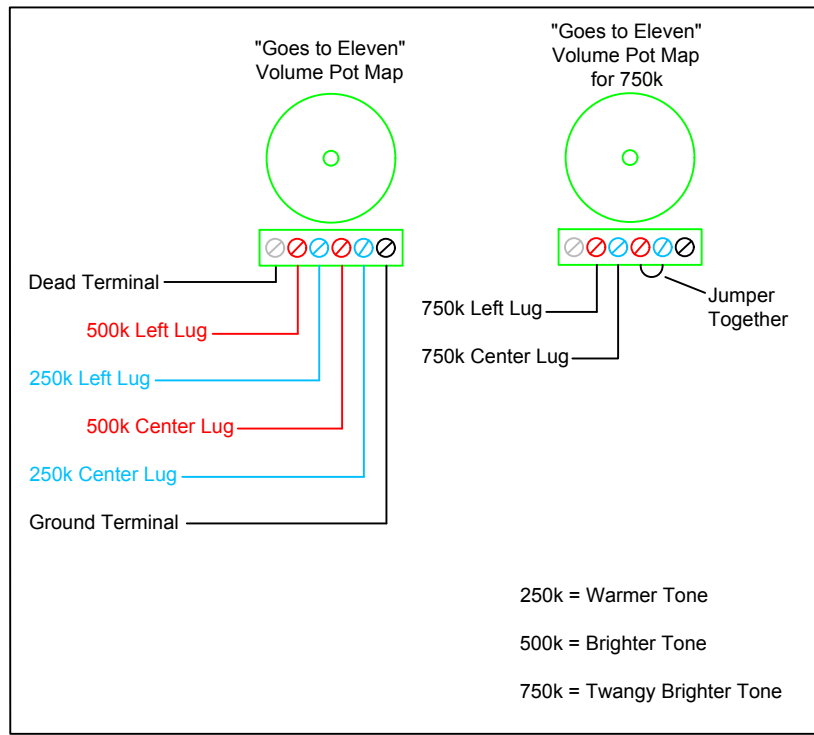
## SV-3M



Four Wire Pickup Leads:  
 Black - Hot  
 Red & White - Center Tap  
 Green & Shield - Ground

### Ground Terminals (black):

- All components must be interconnected with a ground wire
- Avoid placing more than three wires per Ground Terminal
- Pickup shields and ground wires can be placed on any Ground Terminal
- Dead Terminals can be utilized as an additional ground wire landing point by placing a jumper from a Ground Terminal to the Dead Terminal



Pickup wire colors may differ than yours.  
 See "Pickup Cross Reference Chart" at  
[madhatterguitarproducts.com](http://madhatterguitarproducts.com)  
 to verify your pickup wire color configuration.

The Terminator is Patent Pending

Customer Support:  
[info@madhatterguitarproducts.com](mailto:info@madhatterguitarproducts.com)