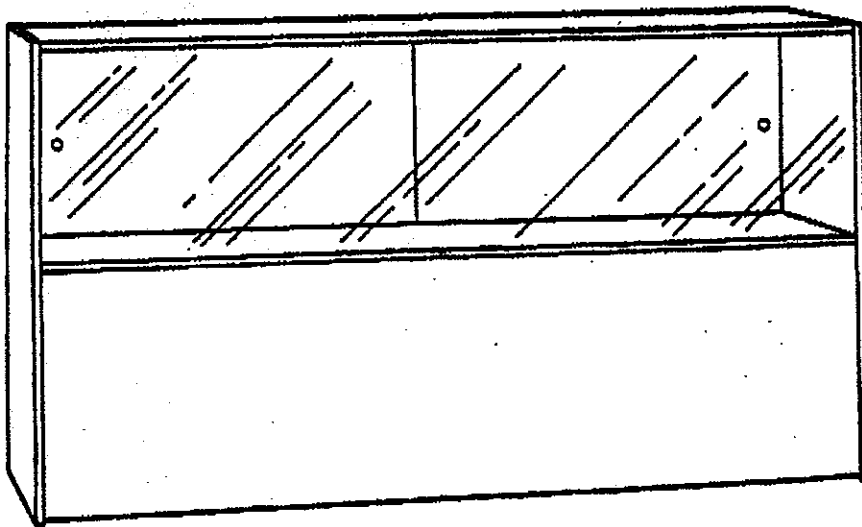


ASSEMBLY INSTRUCTIONS

HALF VISION SHOWCASE JEWELRY SHOWCASE



NOTE: It is recommended that two persons assemble this unit.

PARTS LIST

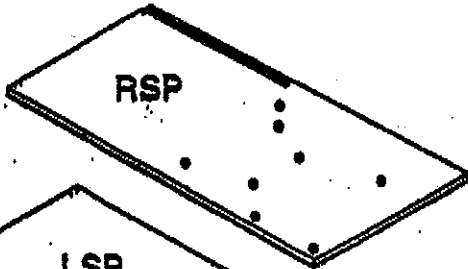
PARTS & QUANTITIES SHOWN ARE FOR ONE COMPLETE SHOWCASE UNIT. GLASS PANELS, FELT STRIP AND PLASTIC GASKET NOT FURNISHED WITH THIS KIT.



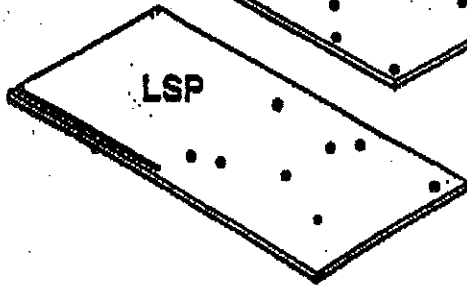
(20)



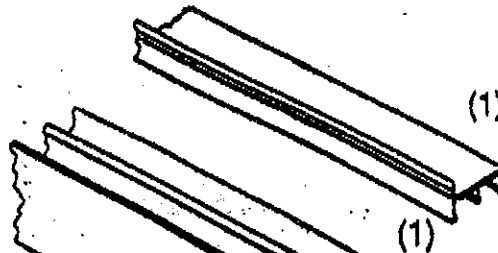
(20)



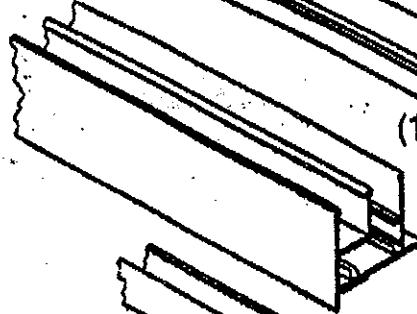
RSP



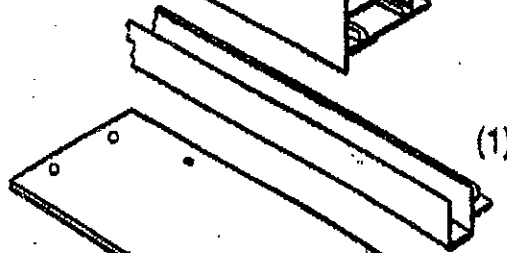
LSP



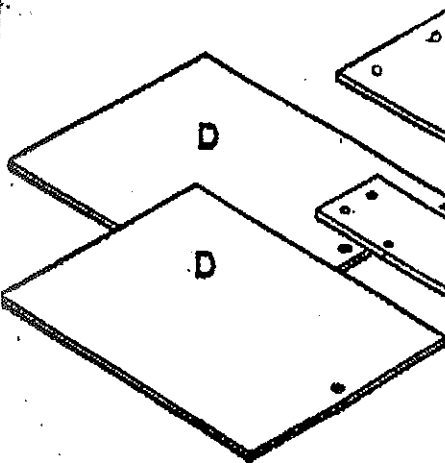
(1)



(1)

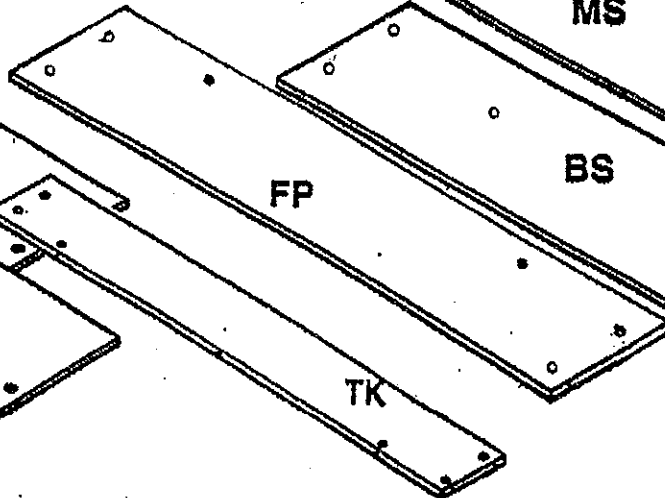


(1)

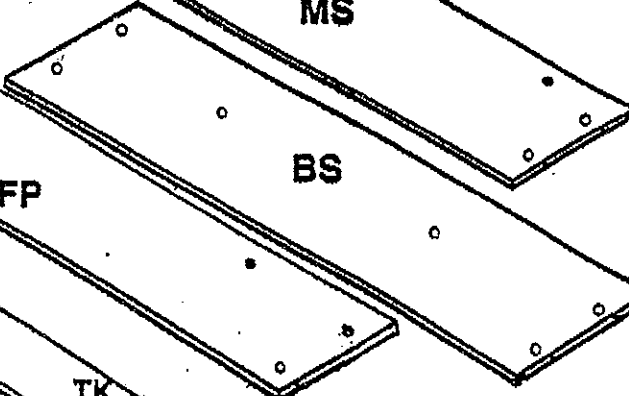


D

D



FP



MS

BS

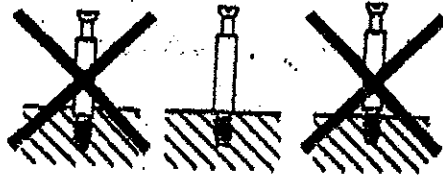
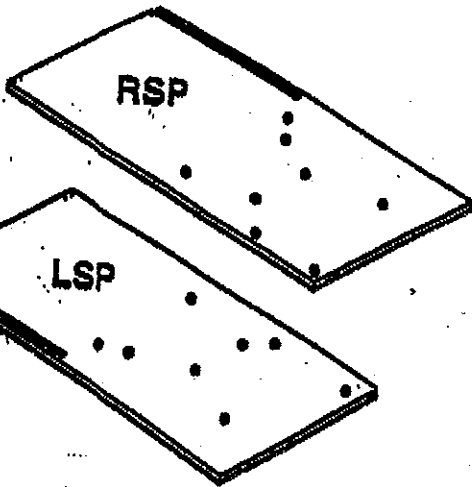
TK

TOOLS REQUIRED

1



(16)



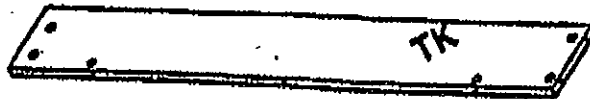
2



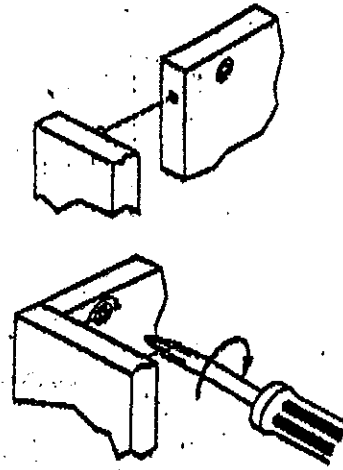
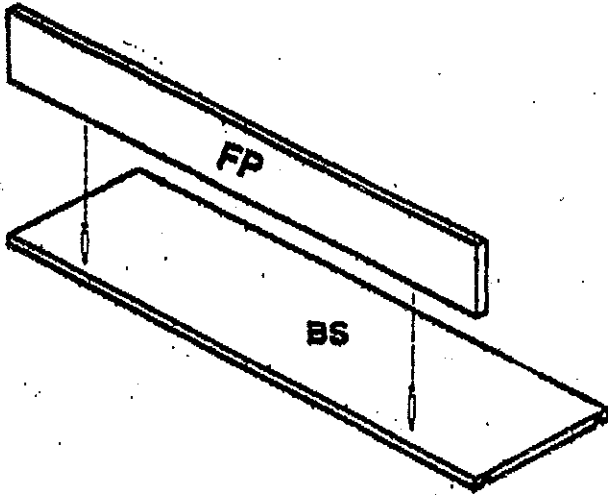
(4)



(20)

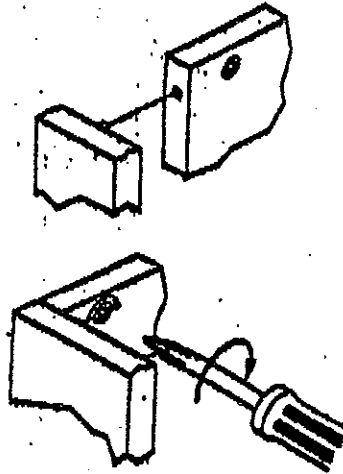
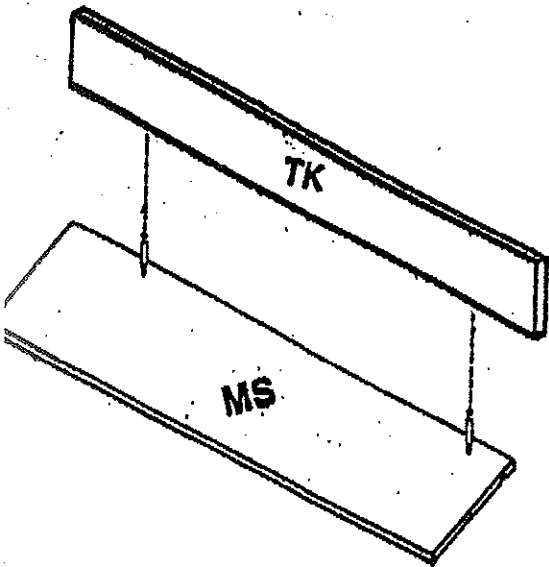


3



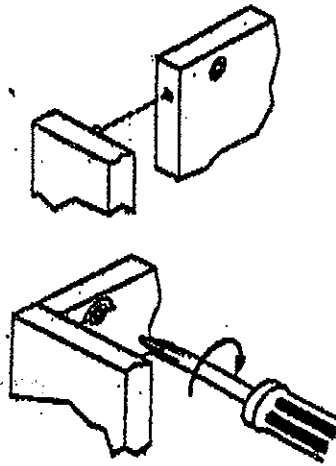
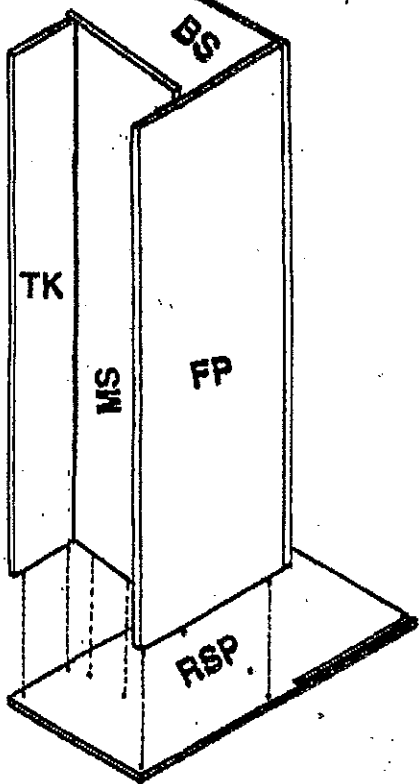
Fasten panels together and
make sure all cams are locked.

4



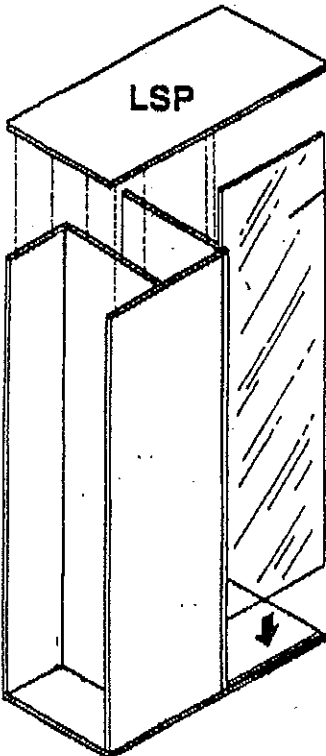
Fasten panels together and
make sure all cams are locked.

5

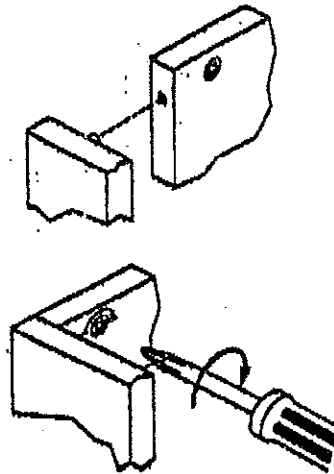


Fasten panels together and make sure all cams are locked.

6

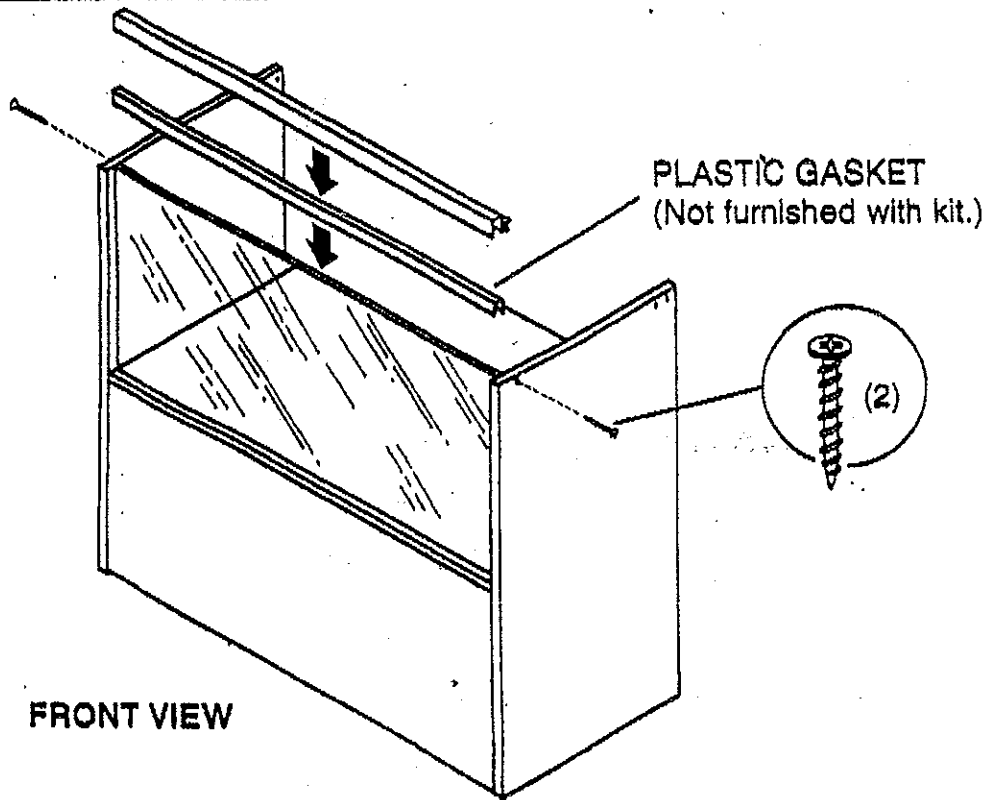


FRONT GLASS PANEL
(Not furnished with kit.)



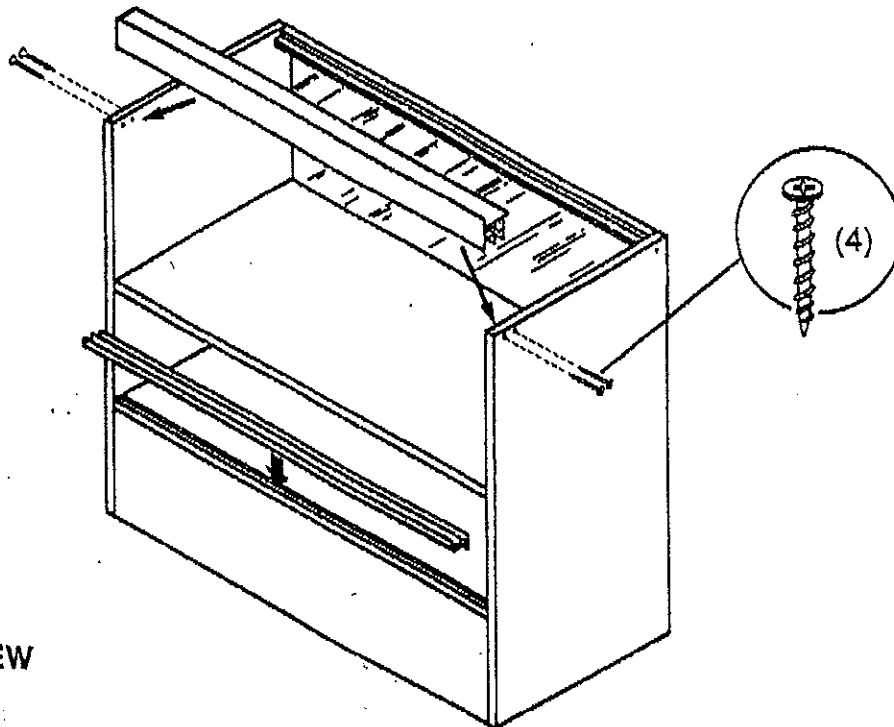
Fasten panels together and make sure all cams are locked.

7



FRONT VIEW

8



BACK VIEW

9

2 FELT STRIPS
(Not furnished with kit.)

TOP GLASS PANEL
(Not furnished with kit.)

