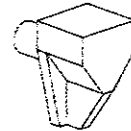
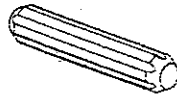
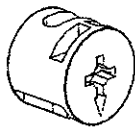
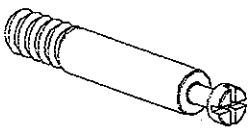
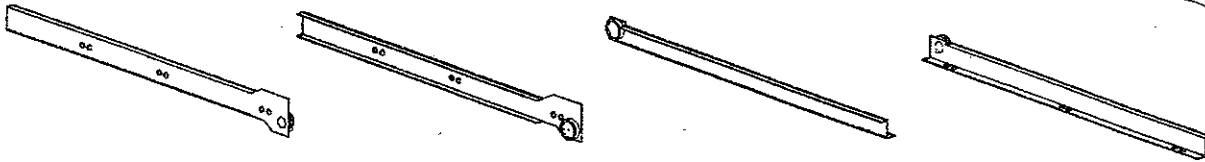
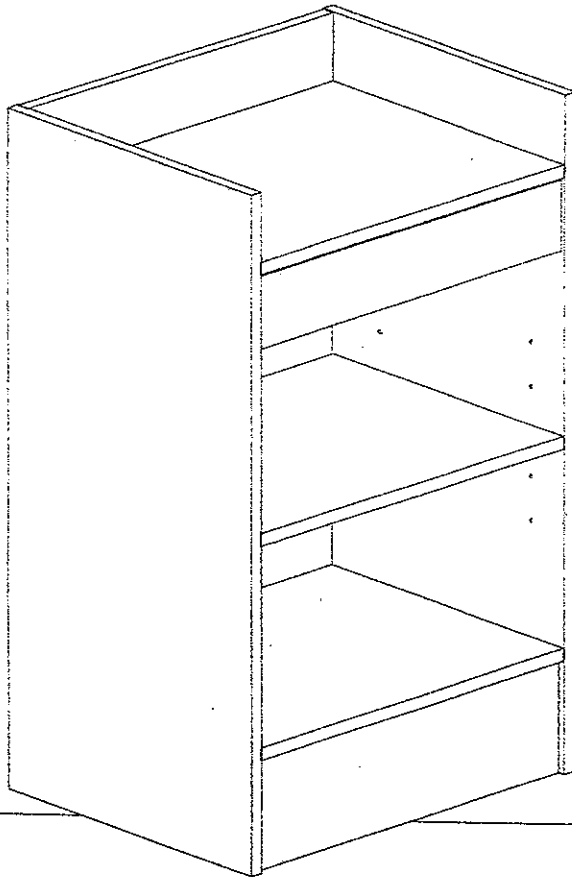


214210

214240

ASSEMBLY INSTRUCTION

CASH REGISTER STAND



x22

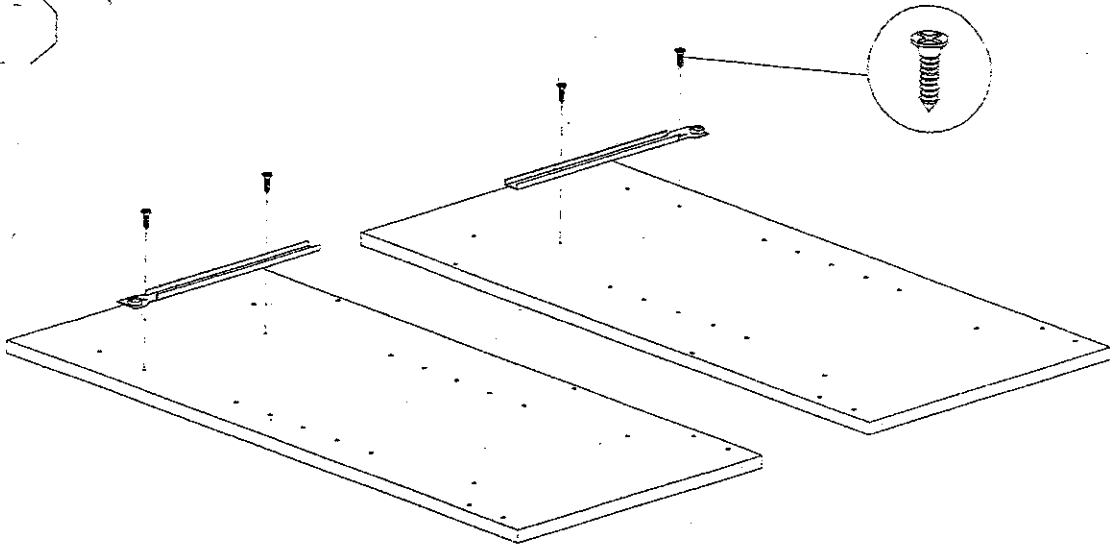
x22

x6

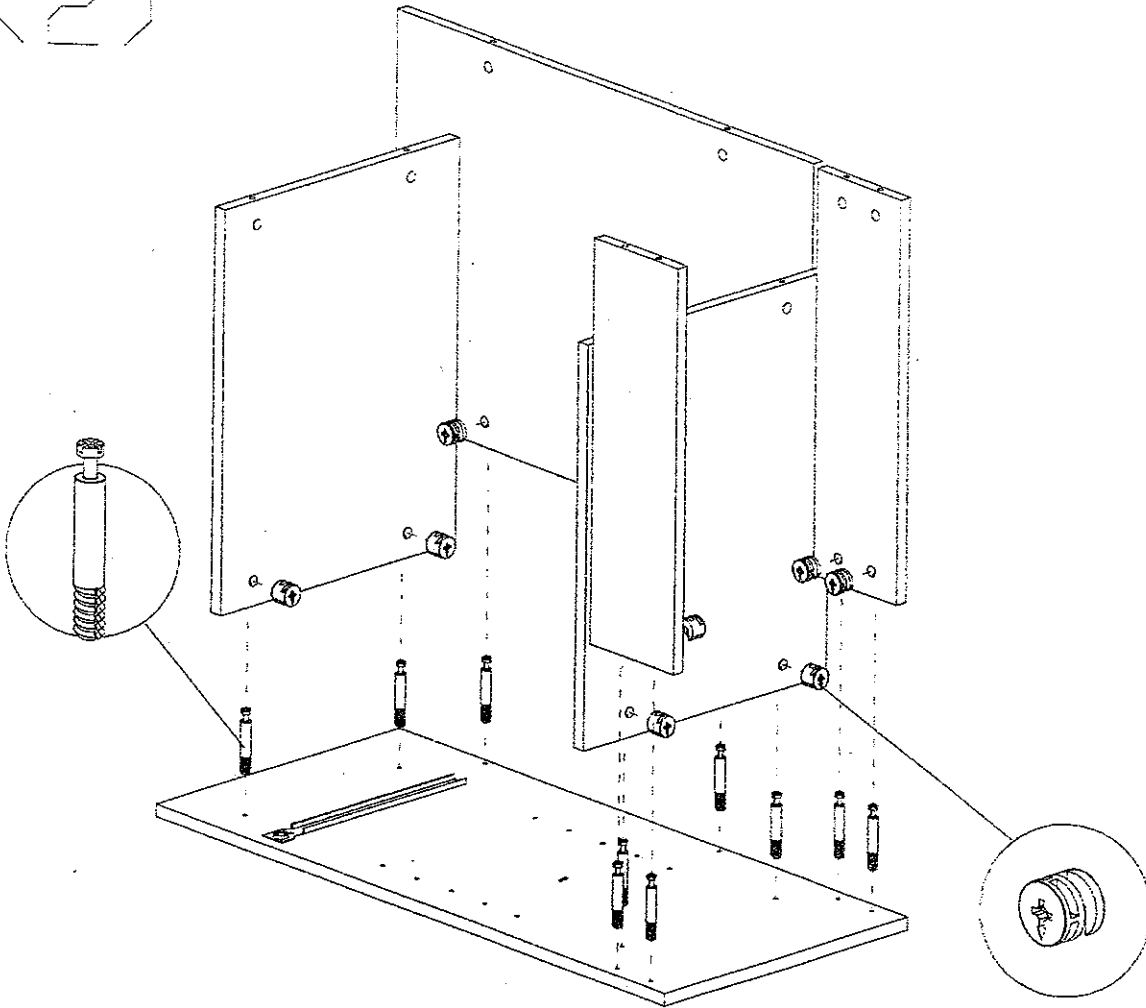
x8

x4

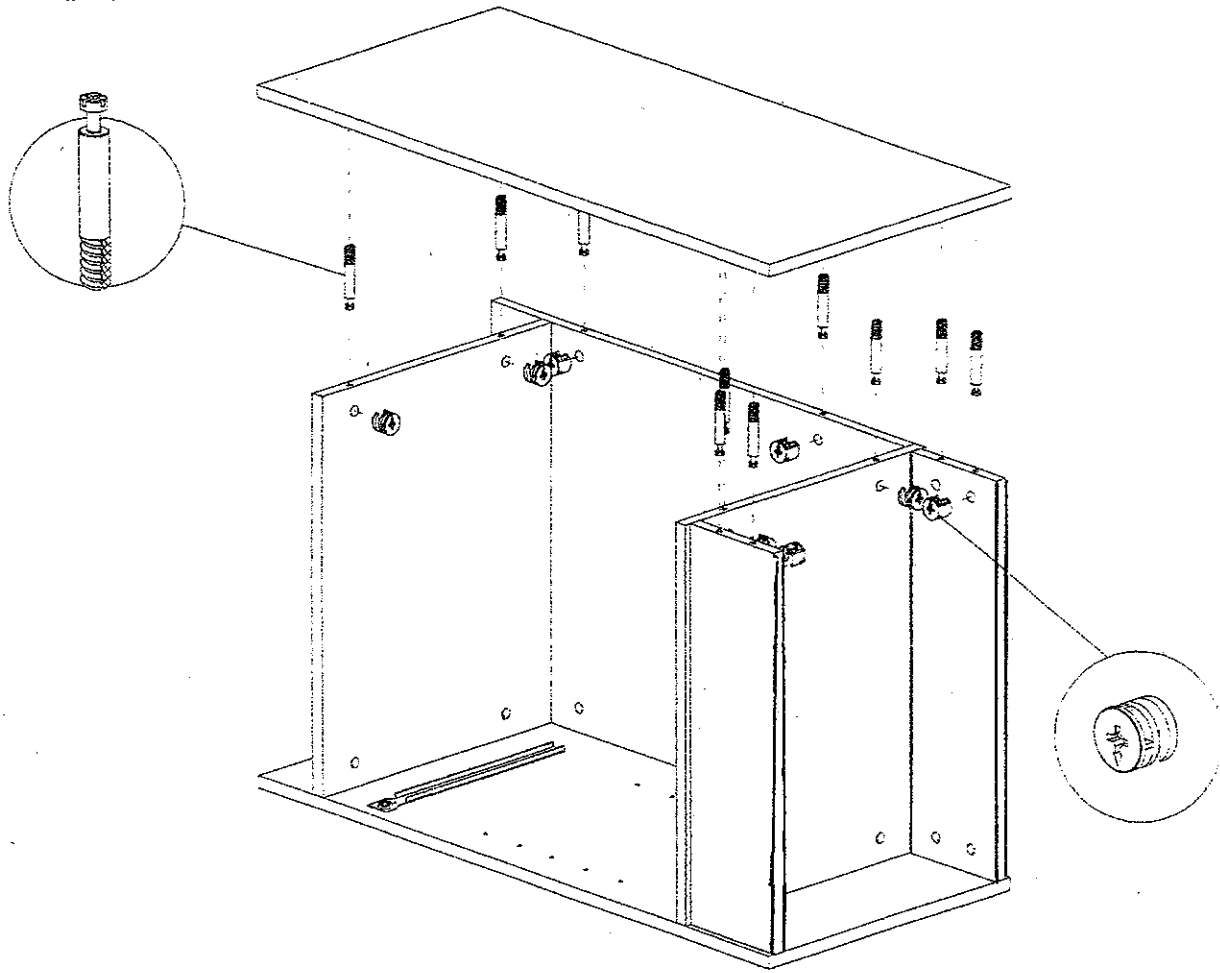
(1)



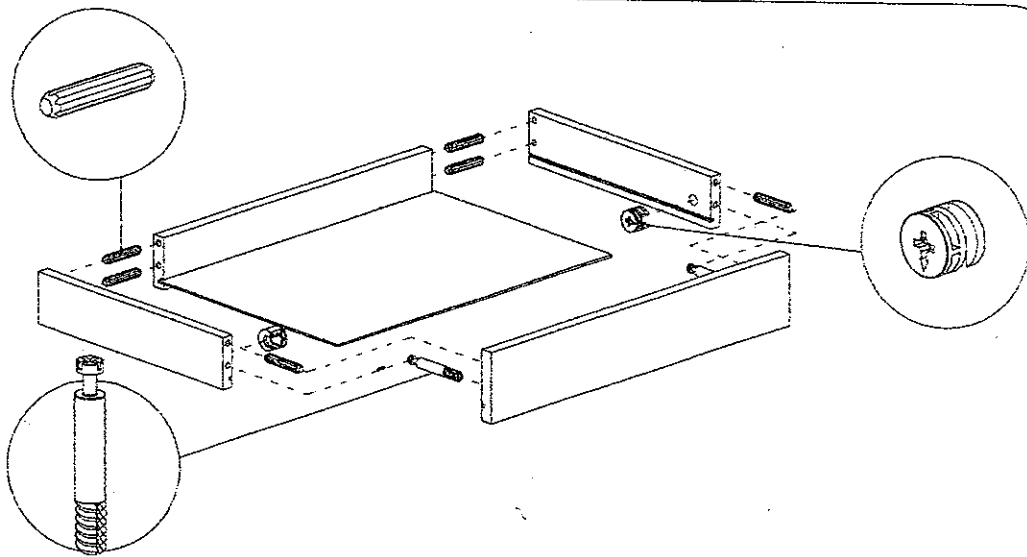
(2)



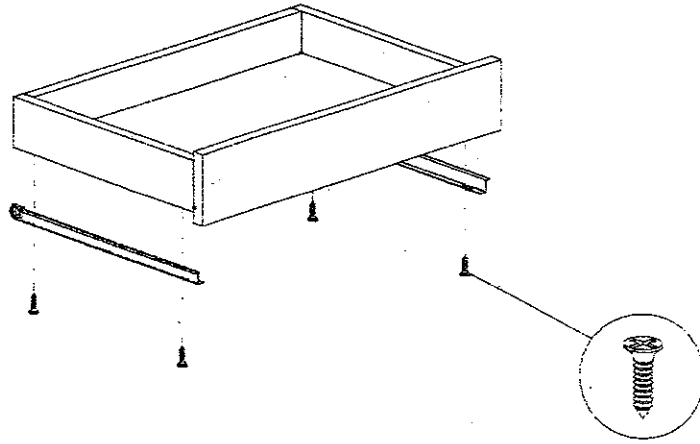
(3)



(4)



(5)



(6)

