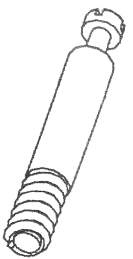
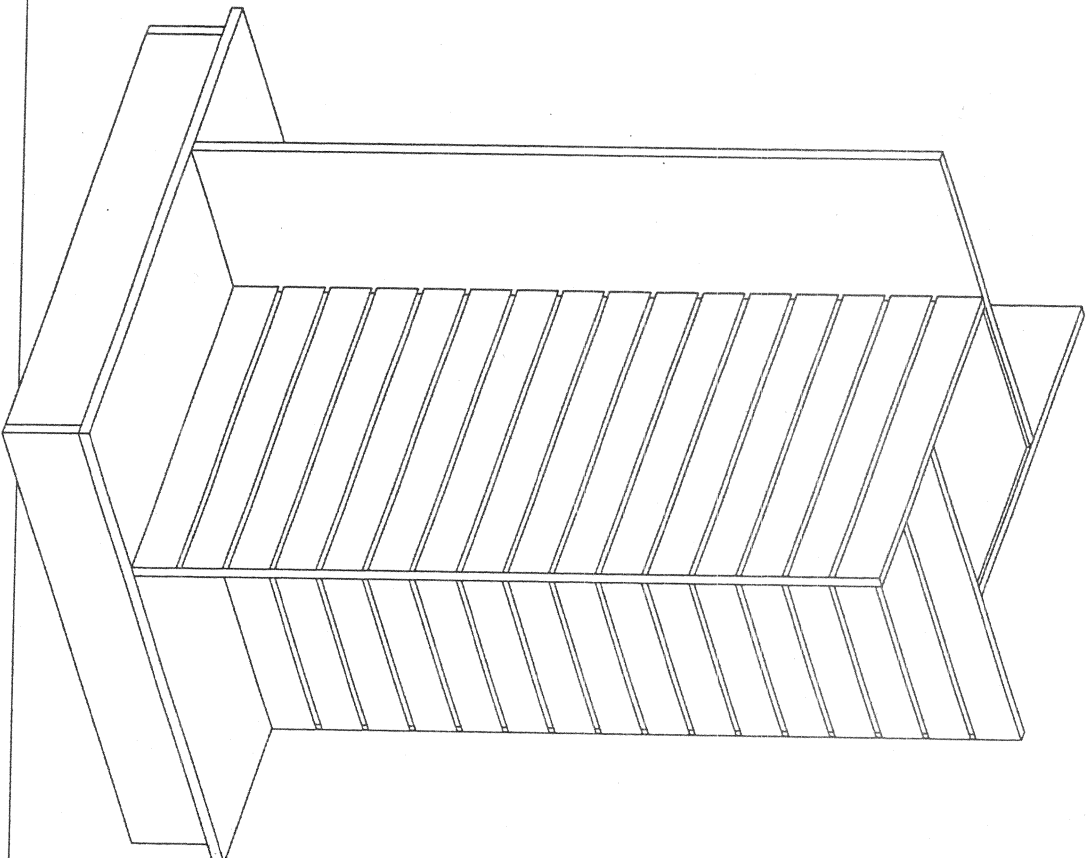


# ASSEMBLY INSTRUCTIONS

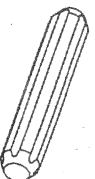
## 4 CORNER DISPLAYER



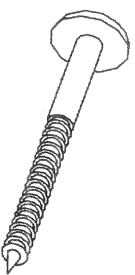
x24



x24

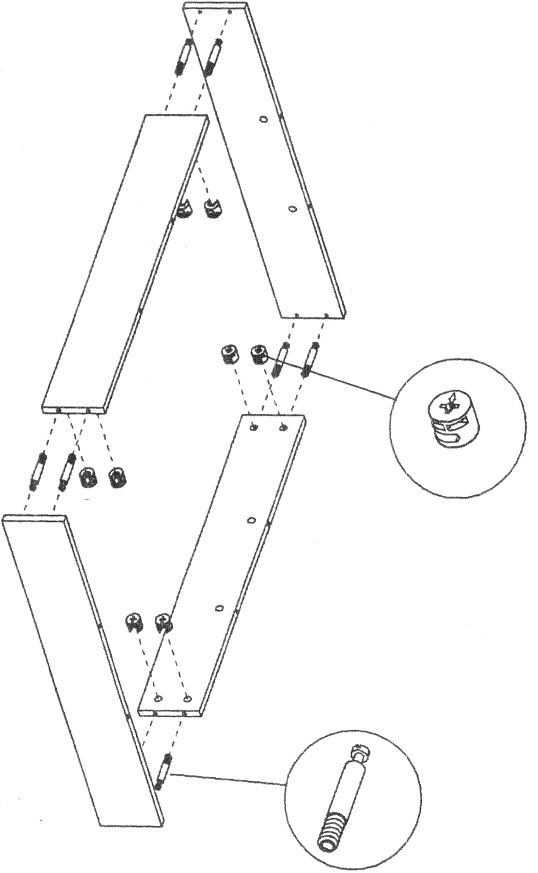


x8

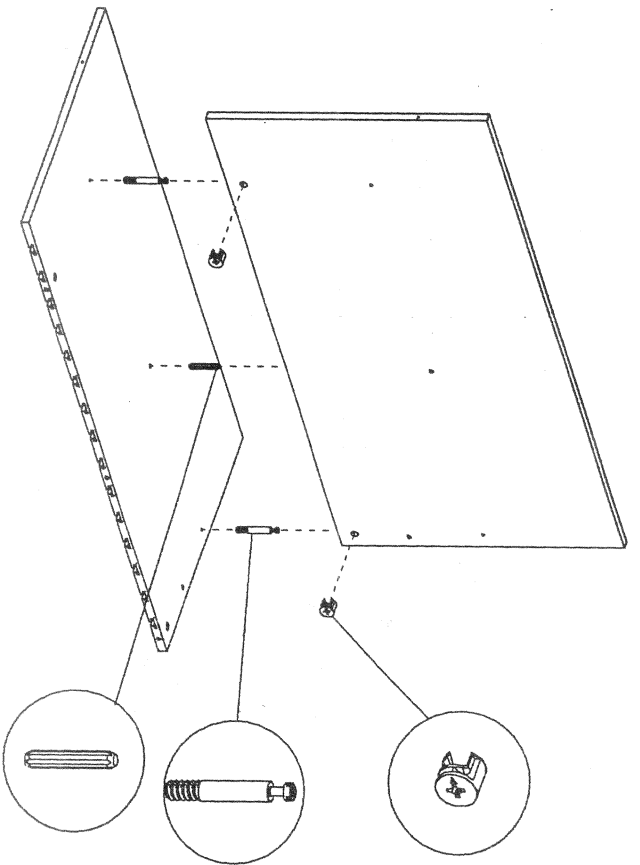


x4

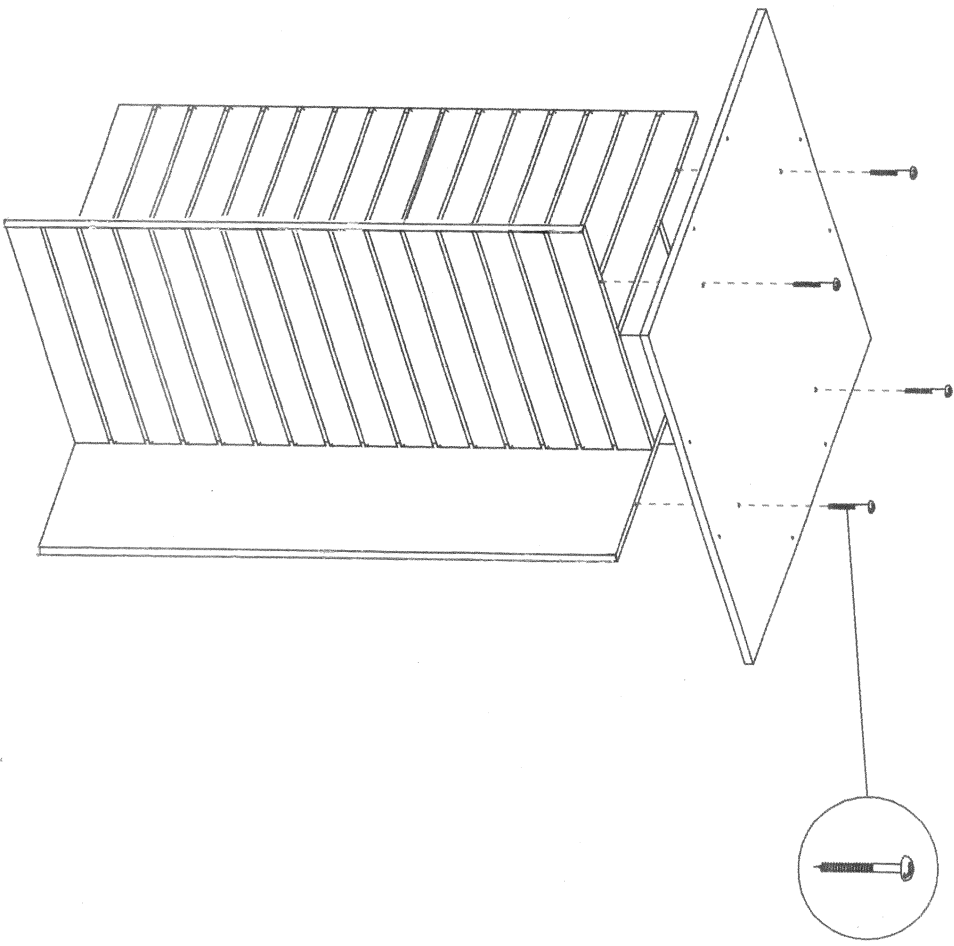
(1)



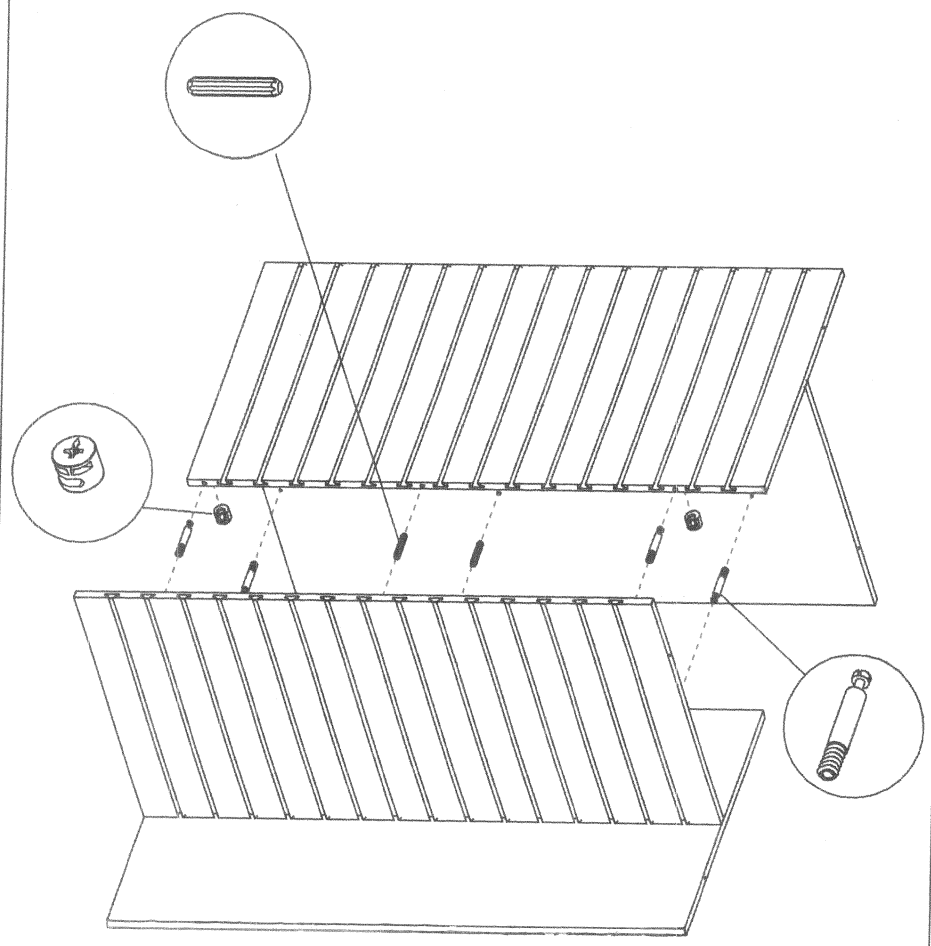
(2)



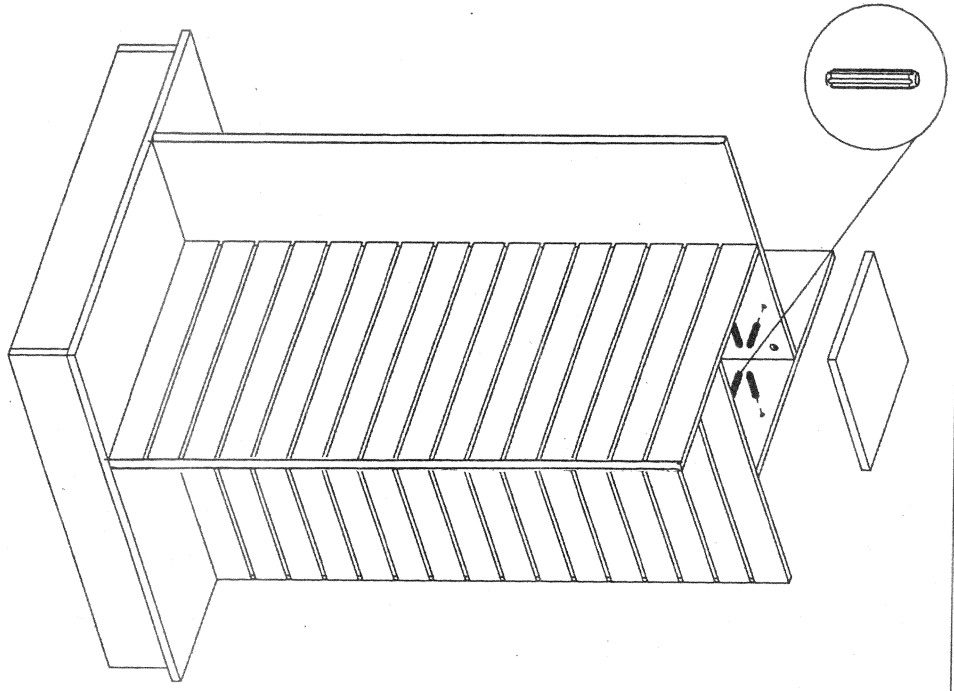
( 4 )



( 3 )



(6)



(5)

