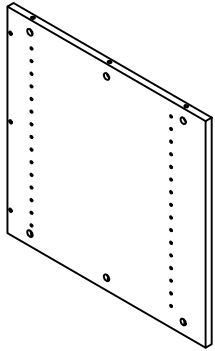
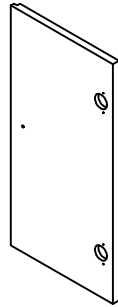


214321 INSTRUCTIONS

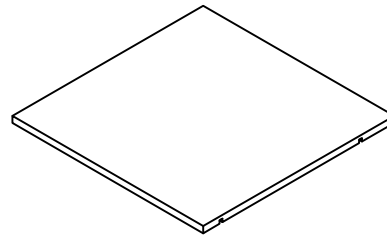
Ⓐ 1PC



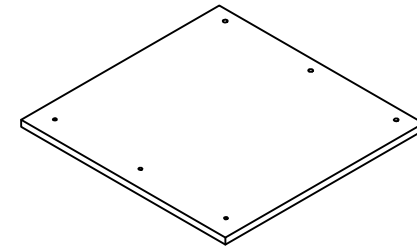
Ⓒ 1PC



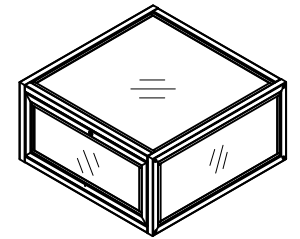
Ⓔ 1PC



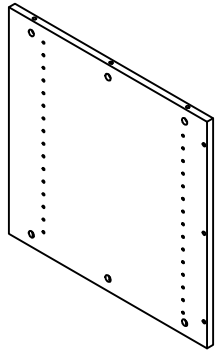
Ⓖ 1PC



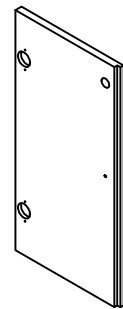
Ⓙ 1PC



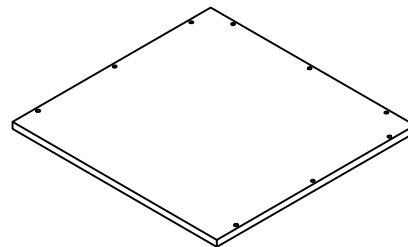
Ⓑ 1PC



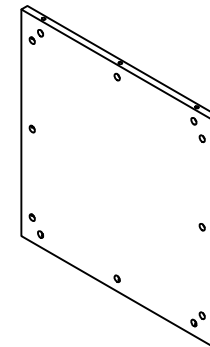
Ⓓ 1PC



Ⓕ 1PC



Ⓗ 1PC



Ⓨ 6PCS



214321 INSTRUCTIONS

ⓐ 2PCS



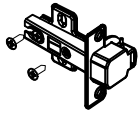
ⓑ 2PCS



ⓒ 4PCS



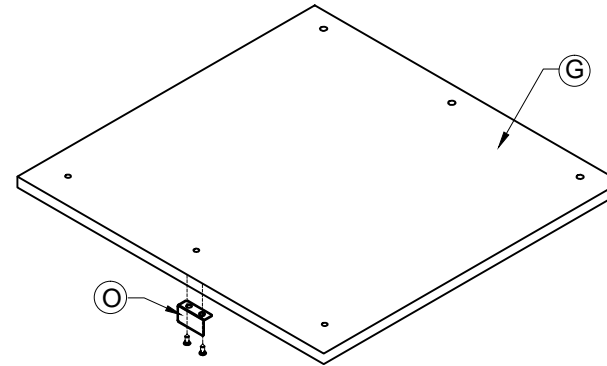
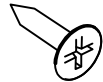
ⓓ 4PCS



ⓔ 33PCS

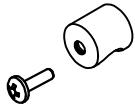


ⓕ 16PCS

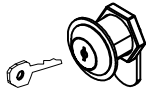


1

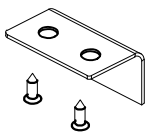
ⓖ 2PCS



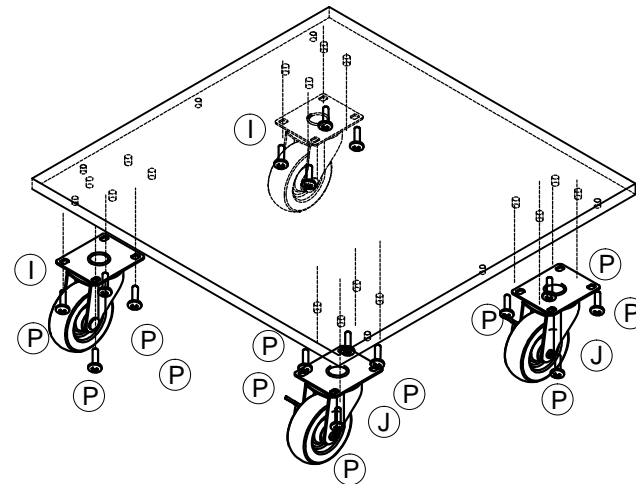
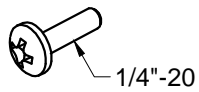
ⓗ 1PC



ⓓ 1PC



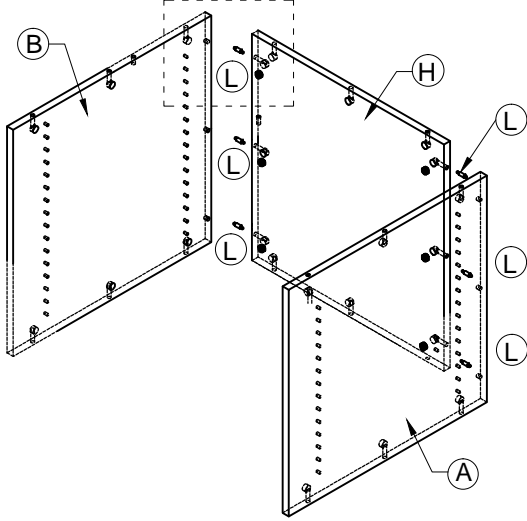
ⓔ 16PCS



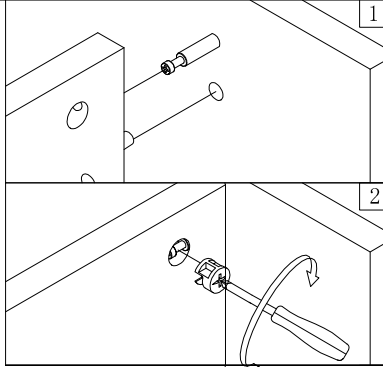
2

214321 INSTRUCTIONS

3

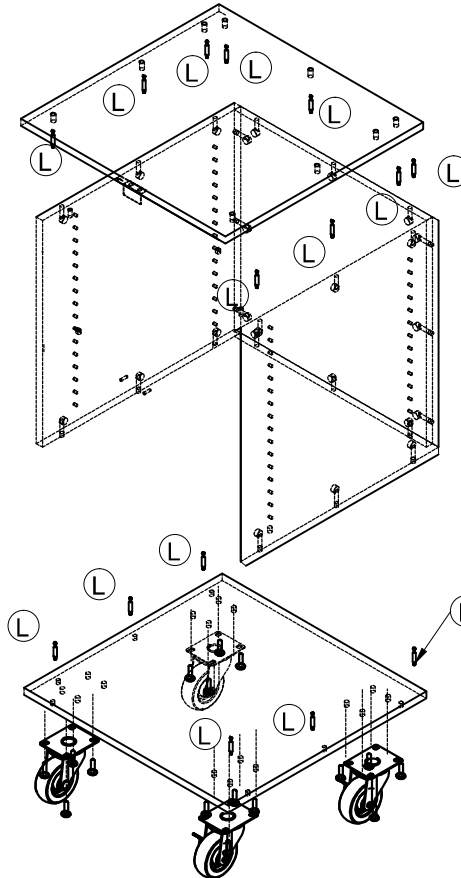


1

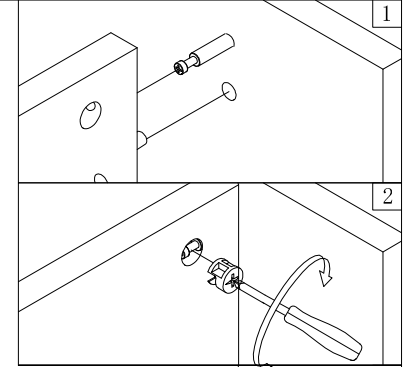


4

2



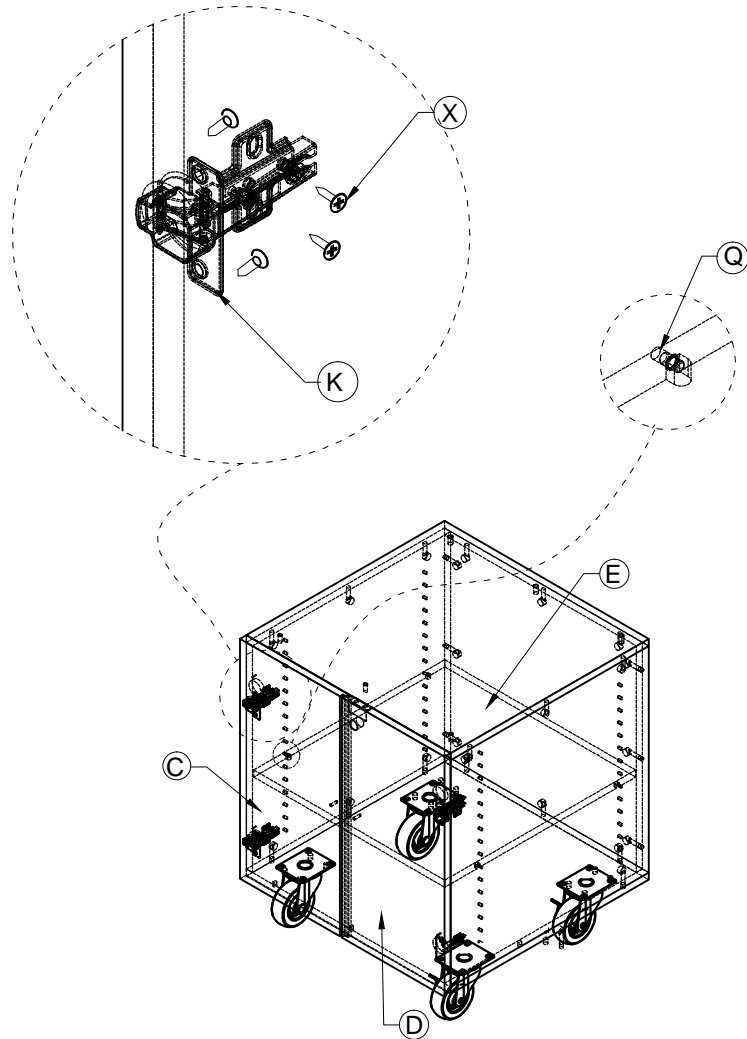
1



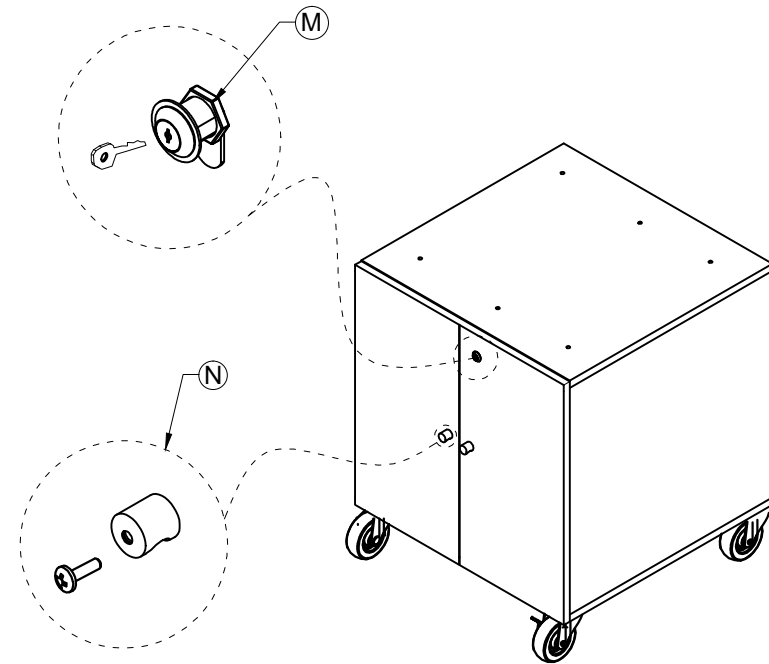
2

214321 INSTRUCTIONS

5

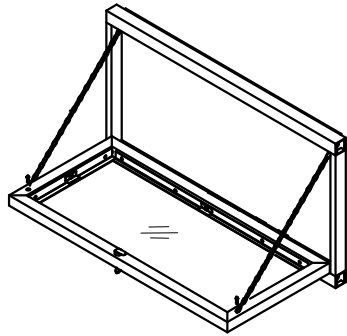


6

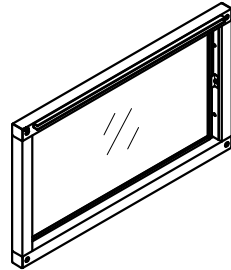


214321 INSTRUCTIONS

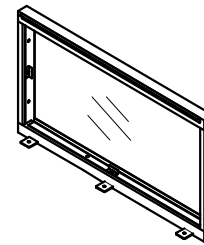
Ⓩ1 1PC



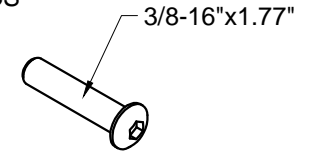
Ⓩ2 2PCS



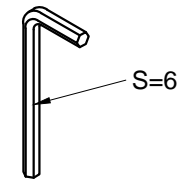
Ⓩ3 1PC



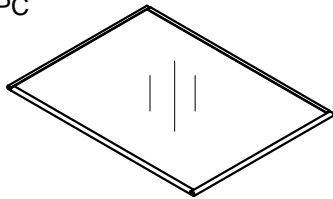
Ⓩ4 8PCS



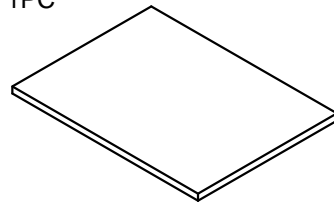
Ⓩ5 1PC



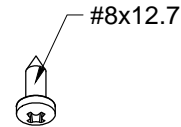
Ⓩ6 1PC



Ⓩ7 1PC

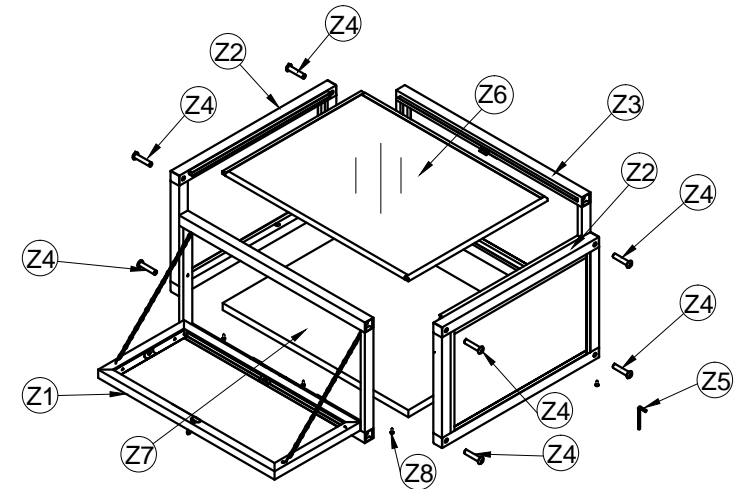


Ⓩ8 6PCS



7

1. Attach Part Z2 and part Z3 together, and then tighten screw Part Z4 (4pcs) with wrench part Z5.
2. Insert glass part Z6 on the top U slot of part Z2 & Z3 frame.
3. Put part Z7 on the bottom of the assembled frame, and then tighten screw part Z8 from the tags of part Z3 to the bottom of part Z7.
4. Assembly part Z1 into the part Z2 and Z7 as plan shown, then tighten with screw part Z4 and part Z8.



214321 INSTRUCTIONS

8

