

MAPLE

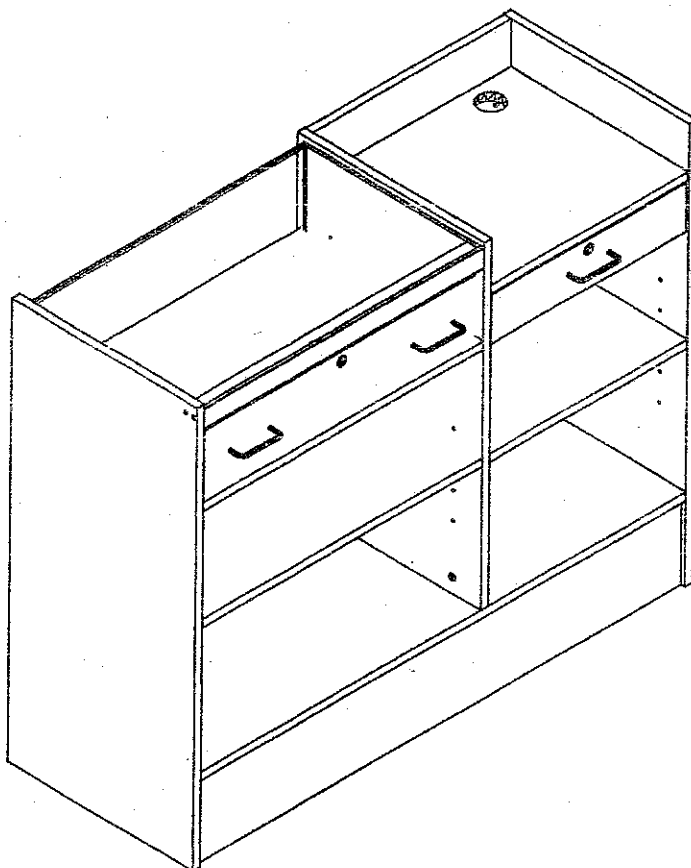
CHERRY

#214255

#214256

ASSEMBLY INSTRUCTION

2 IN ONE CASH COUNTER



X39

X39

X3

X18

X8



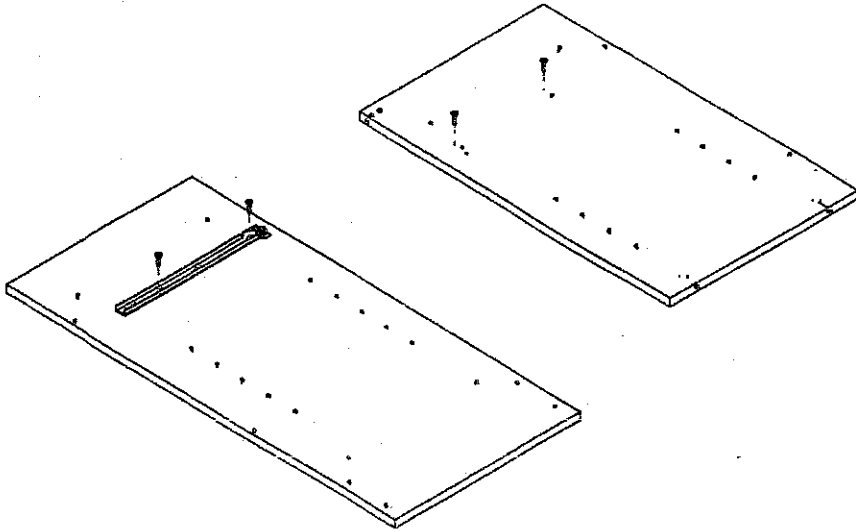
40cmX1

35cmX1

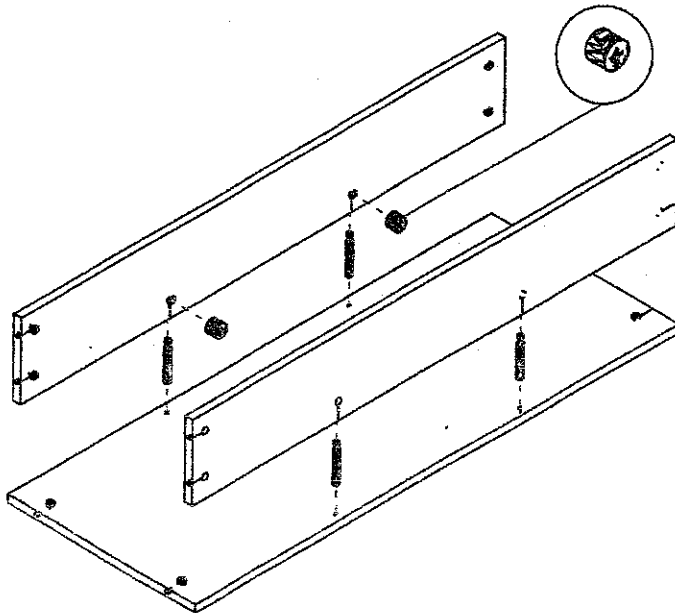


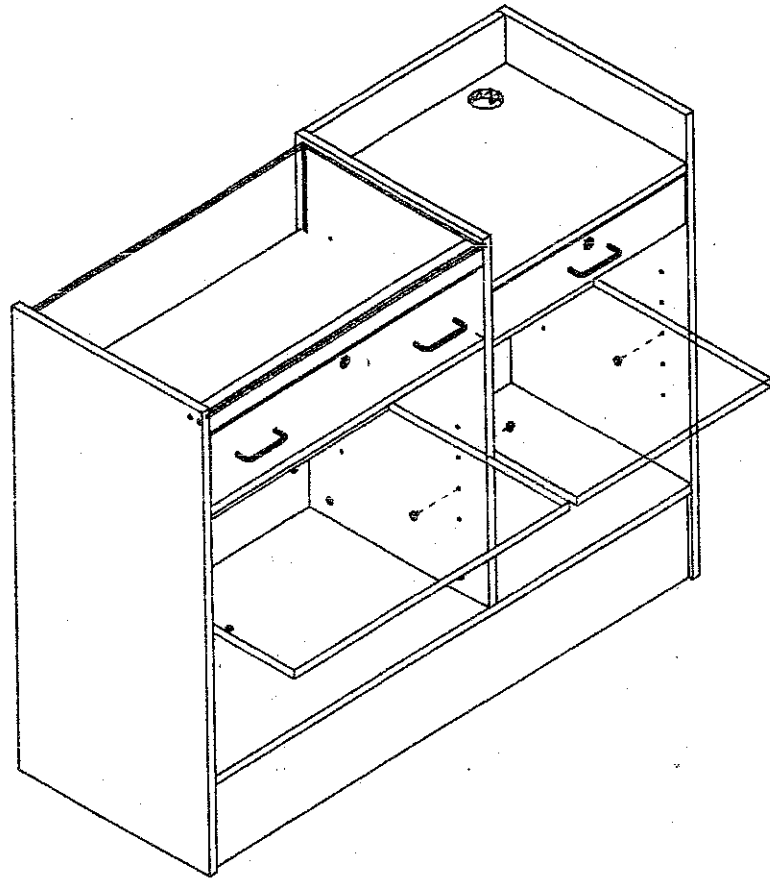
X6

(1)

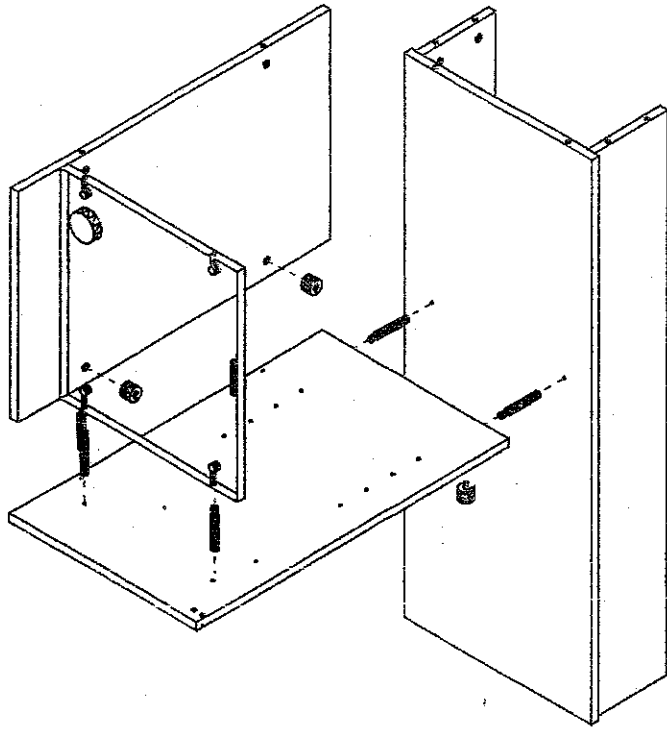


(2)

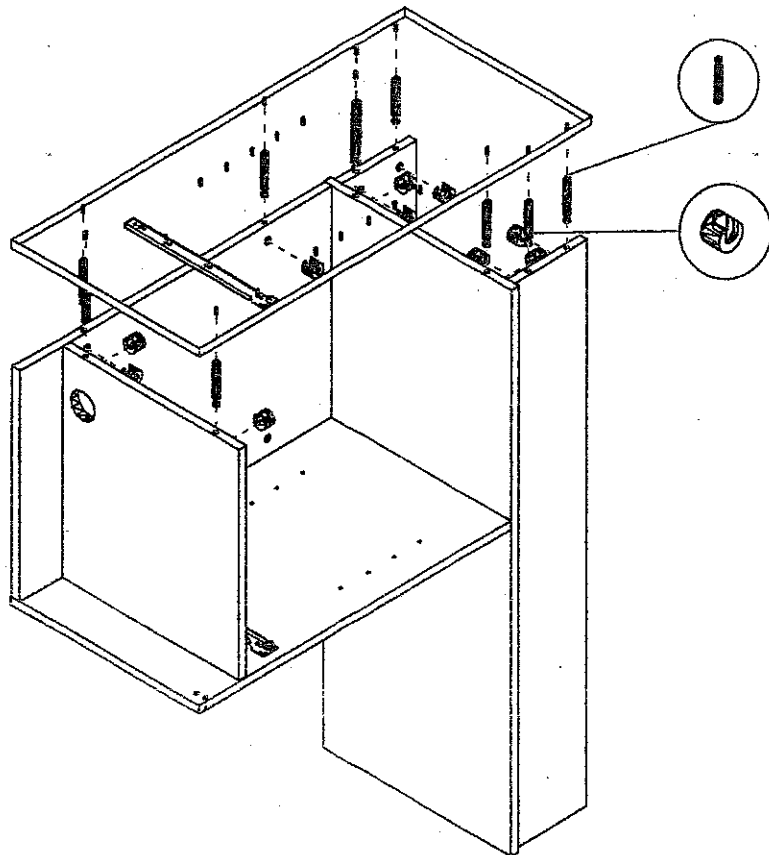




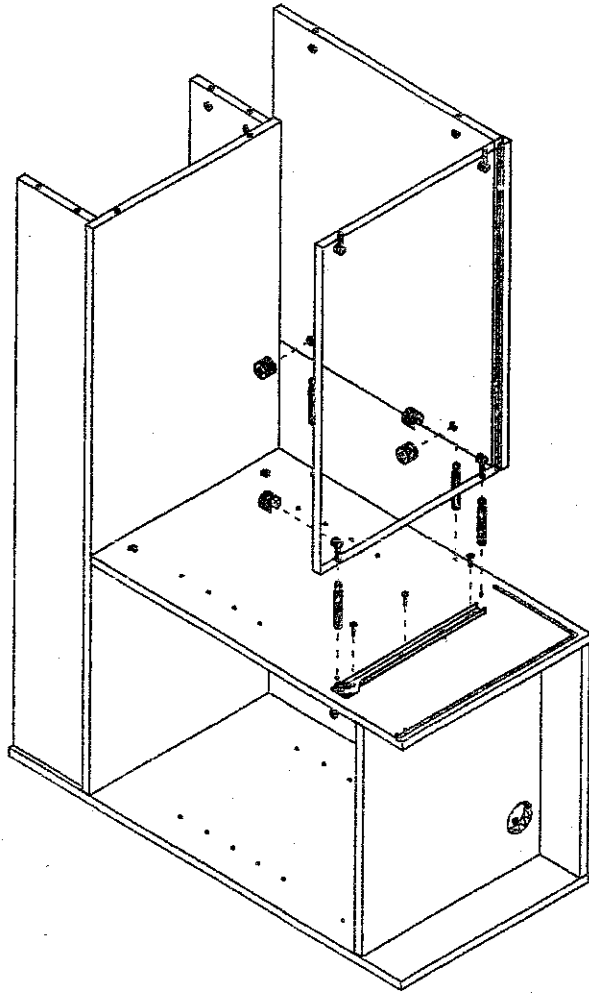
(3)



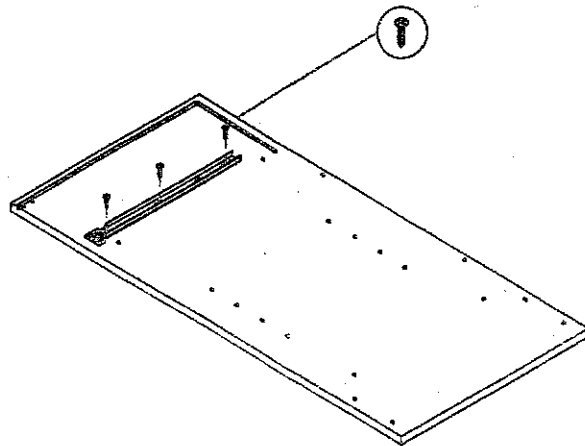
(4)



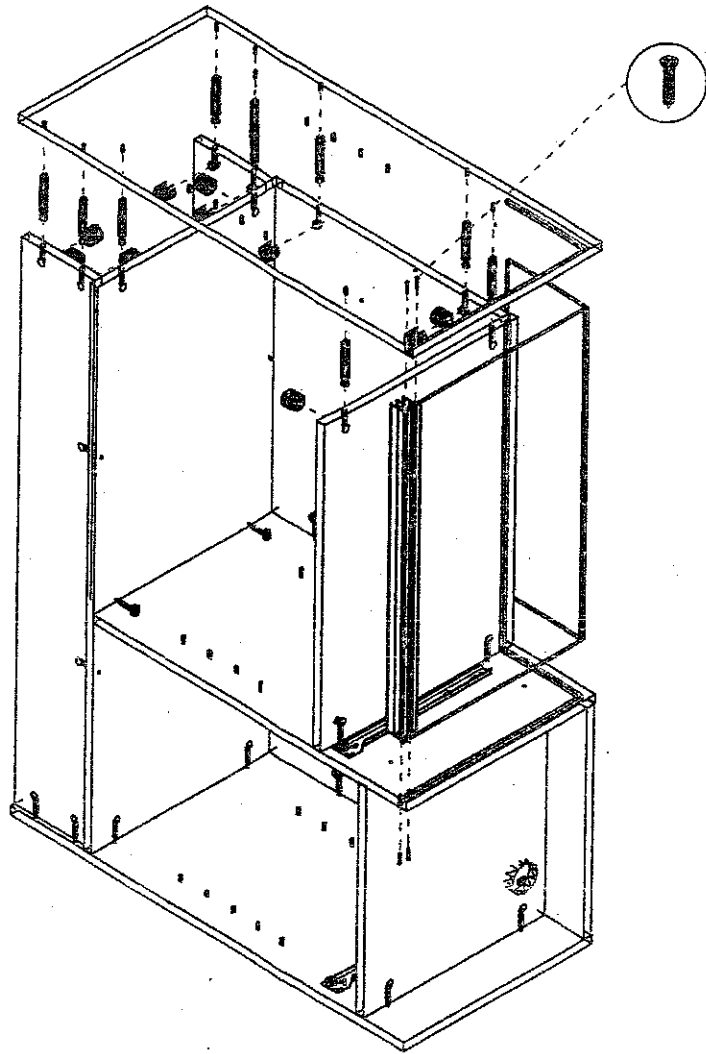
(5)



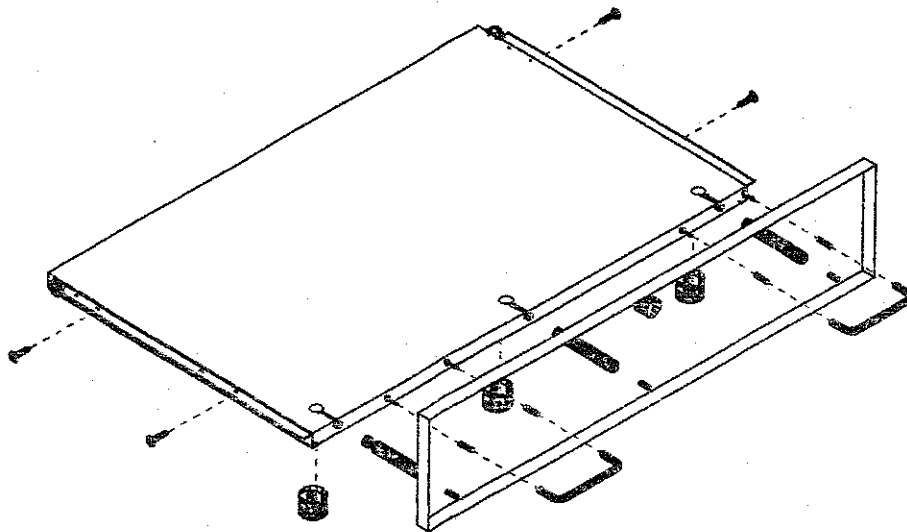
(6)



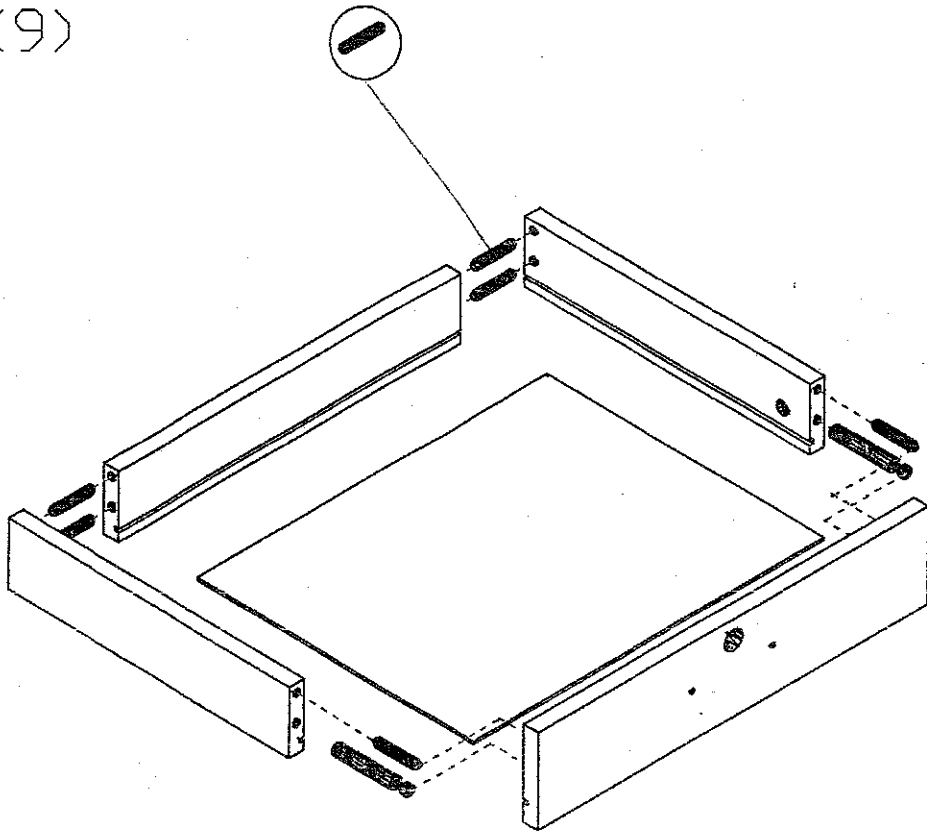
(7)



(8)



(9)



(10)

