



foodcube

# Netting Systems

## Installation Guide



# Table of Contents

<b>Frame Assembly</b>	<b>Page 3</b>
<b>Netting Options</b>	<b>Page 5</b>
<b>Foodcube Net Assembly</b>	<b>Page 7</b>
<b>Foodcube Slim Net Assembly</b>	<b>Page 10</b>
<b>Foodcube Double Net Assembly</b>	<b>Page 13</b>



# Frame Assembly



# Frame Assembly

### Foodcube Net Frame

PART #	PARTS INCLUDED	QTY.
1	3-Way Connector	4
2	1030mm Aluminium Pole	4
3	1255mm Aluminium Pole	4

### Foodcube Slim Net Frame

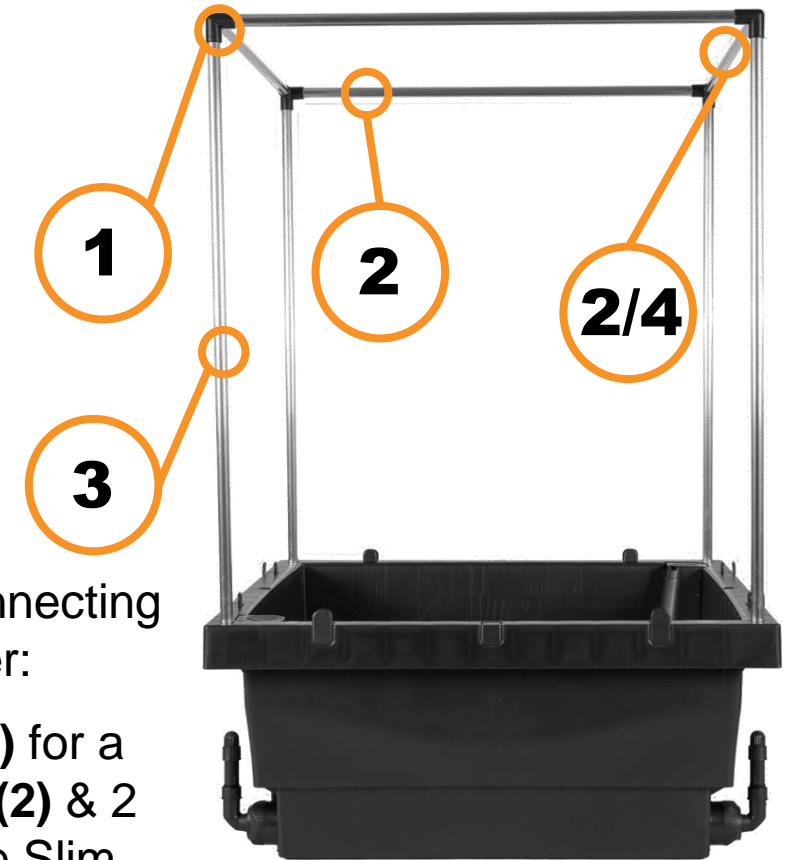
PART #	PARTS INCLUDED	QTY.
1	3-Way Connector	4
2	1030mm Aluminium Pole	2
3	1255mm Aluminium Pole	4
4	545mm Aluminium Pole	2

#### Step 1

For your given frame, identify each of the parts below:

#### Step 2

Insert the 4 **1255mm Poles (3)** into 4 separate **3-Way Connectors (1)**, then put each of these poles into the pole holes in the corners of your Foodcube/Foodcube Slim



#### Step 3

Connect the top of your Net Frame together by connecting the following poles together:

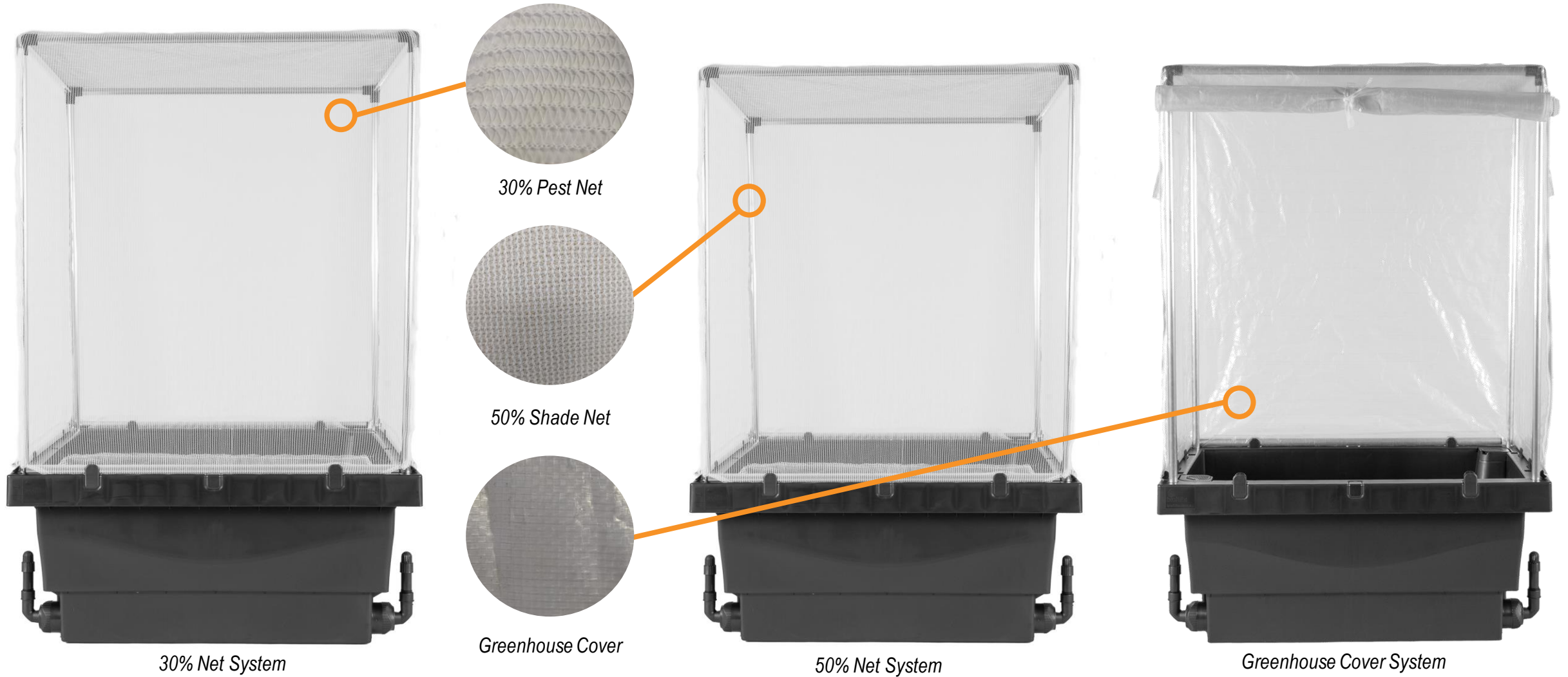
4 of the **1030mm Poles (2)** for a Foodcube OR 2 **1030mm (2)** & 2 **545mm (4)** for a Foodcube Slim



# Netting Options



# Netting Options





# Foodcube Net Assembly



# Foodcube Net Assembly

Part 1 of 2

### Step 1

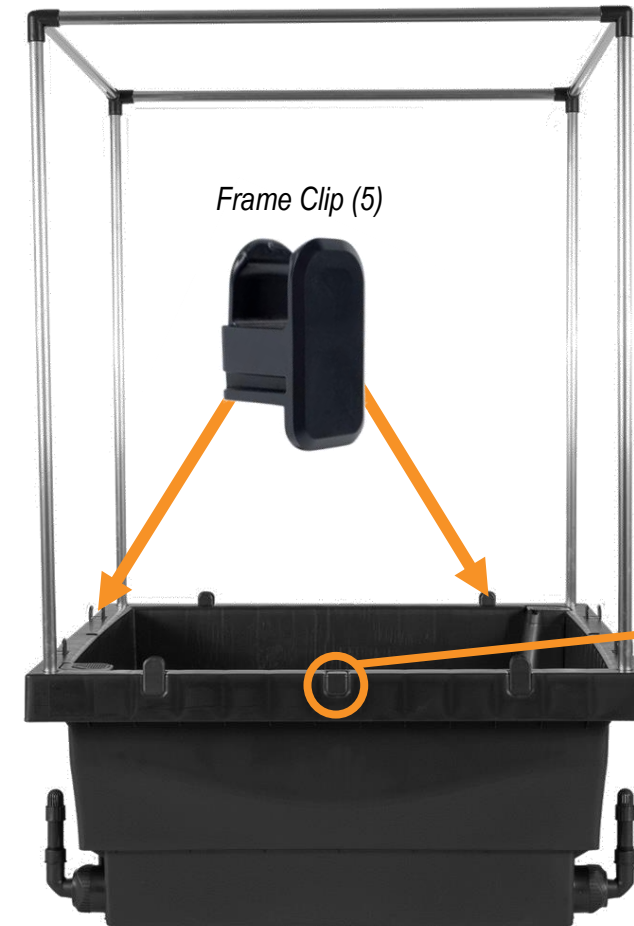
Identify the parts below:

PART #	PARTS INCLUDED	QTY.
2	1030mm Aluminium Pole	4
5	Frame Clip	8
6	Foodcube Premium Net	1



### Step 2

Install 8 Frame Clips (5) as seen in *fig.A*



*fig.A*





# Foodcube Net Assembly

Part 2 of 2

Netting Systems  
Installation Guide

## Step 3

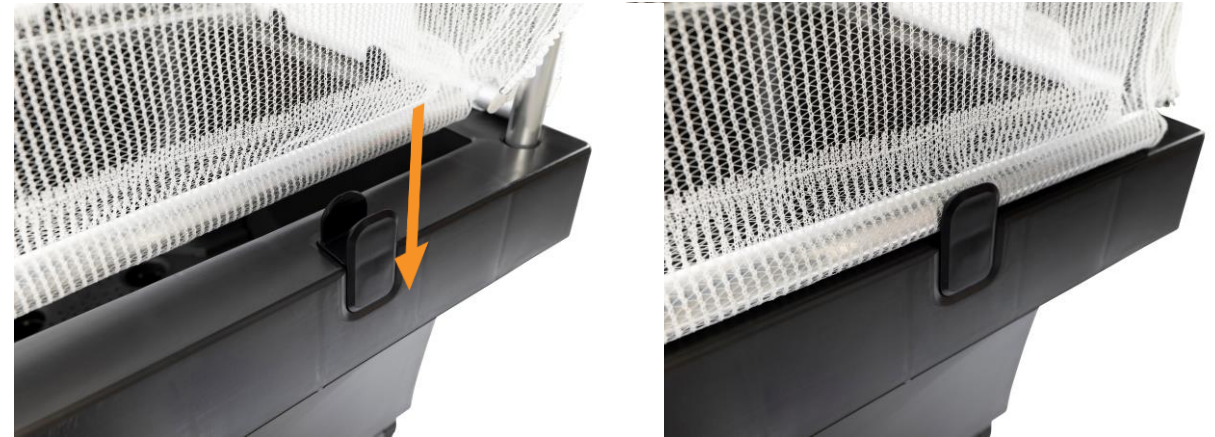
Unzip your **Foodcube Net (6)** and pull it over the top of the frame (with the zips facing outwards) so that each corner of the net sits over the **3-Way Connectors (1)** as seen in *fig.B*



*fig.B*

## Step 4

Insert the remaining 4 **1030mm Poles (2)** into the bottom hem of your **Foodcube's Net (6)**, then clip this hem & pole into the **Frame Clips (5)** as seen in *fig.C*



*fig.C*



# Foodcube Slim Net Assembly



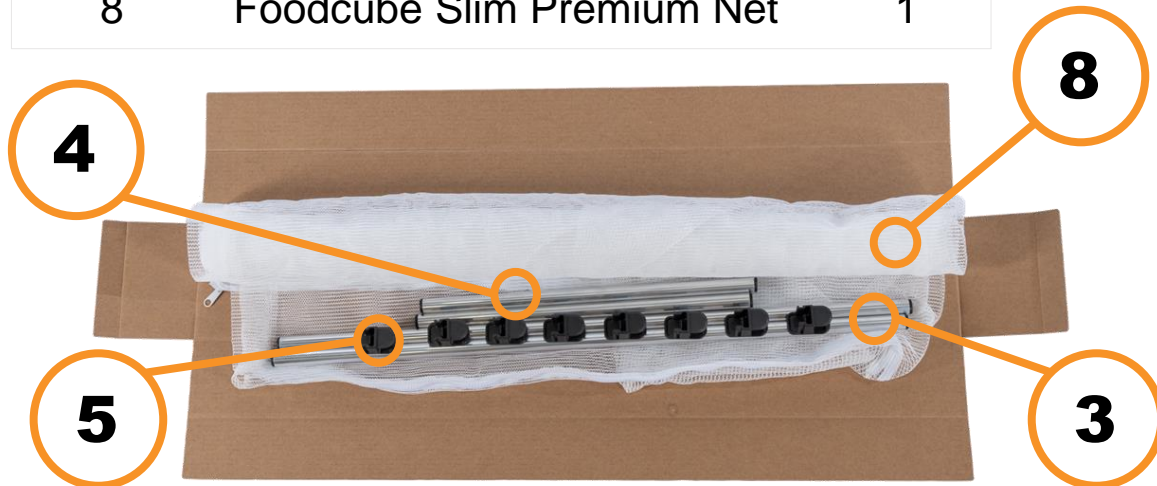
# Foodcube Slim Net Assembly

Part 1 of 2

### Step 1

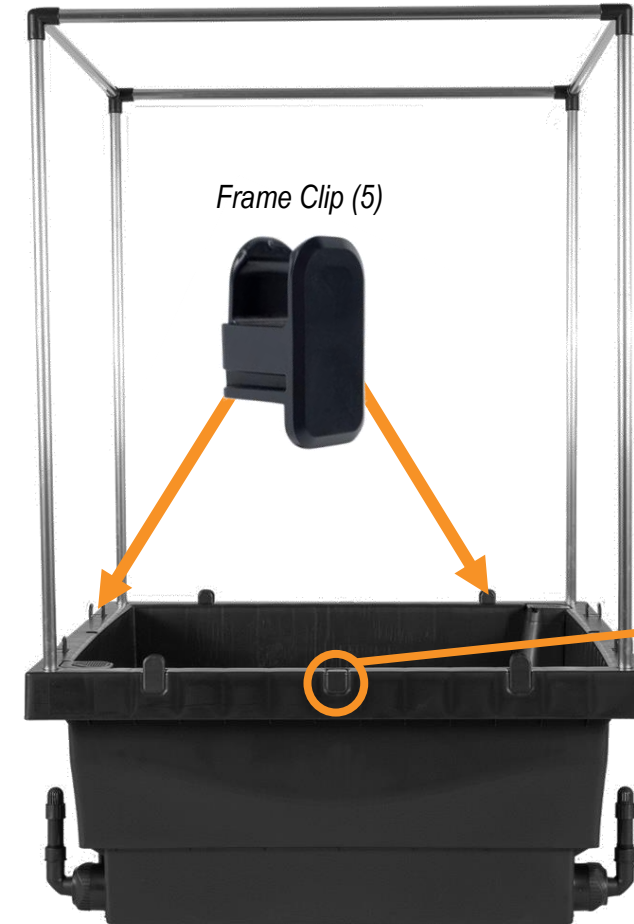
Identify the parts below:

PART #	PARTS INCLUDED	QTY.
2	1030mm Aluminium Pole	2
4	545mm Aluminium Pole	2
5	Frame Clip	8
8	Foodcube Slim Premium Net	1



### Step 2

Install 8 Frame Clips (5) as seen in *fig.A*



**TIP**  
Your Foodcube Slim already comes with blanking clips for the middle!

*fig.A*



# Foodcube Slim Net Assembly

Part 2 of 2

Netting Systems  
Installation Guide

## Step 3

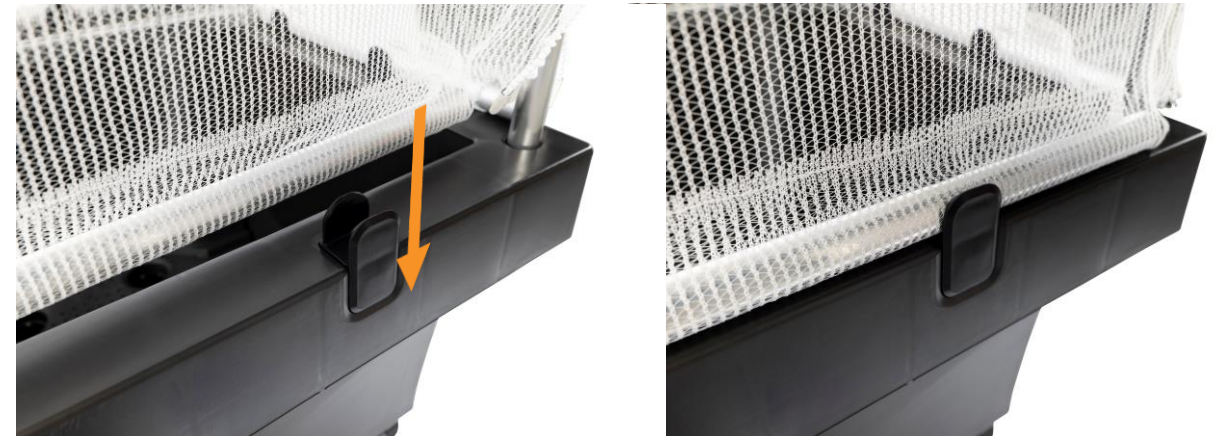
Unzip your **Foodcube Slim Net (8)** and pull it over the top of the frame (with the zips facing outwards) so that each corner of the net sits over the **3-Way Connectors (1)** as seen in *fig.B*



*fig.B*

## Step 4

Insert the remaining 2 **1030mm Poles (2)** & 2 **545mm Poles (4)** into the bottom hem of your **Foodcube Slim's Net (8)**, then clip this hem & pole into the **Frame Clips (5)** as seen in *fig.C*



*fig.C*



# Foodcube Double Net Assembly



# Foodcube Double Net Assembly

Part 1 of 3

## Step 1

Identify the parts below:

PART #	PARTS INCLUDED	QTY.
2	1030mm Aluminium Pole	2
9	1100mm Aluminium Pole	4
5	Frame Clip	12
7	Foodcube Dbl Premium Net	1



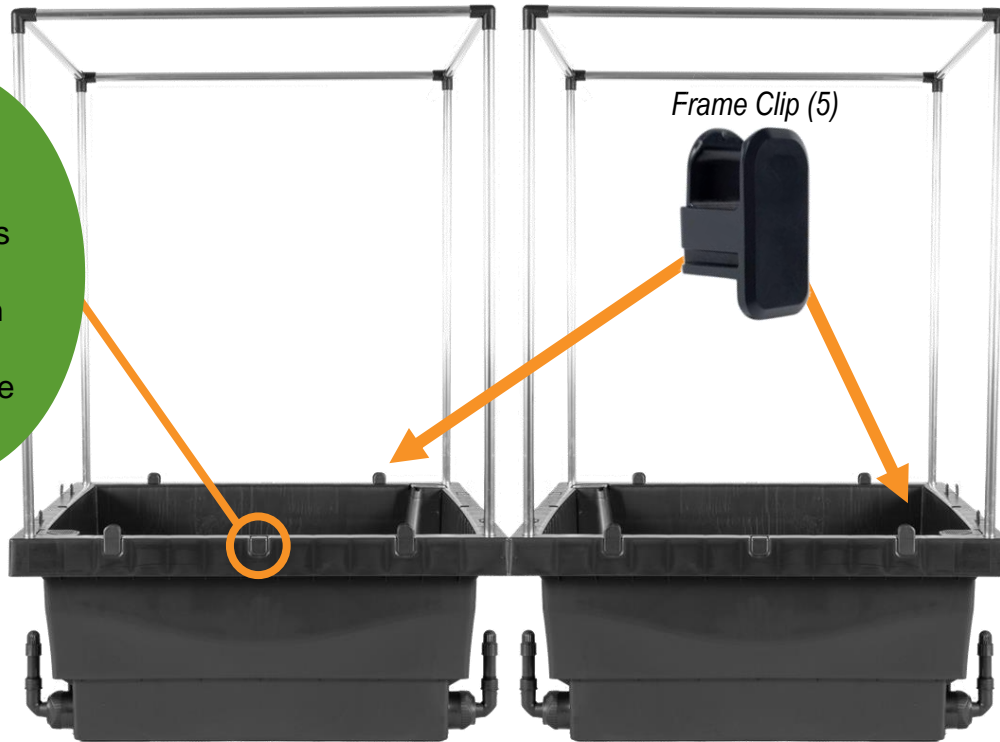


# Foodcube Double Net Assembly

Part 2 of 3

## Step 2

Install 12 of the **Frame Clips (5)** around the outer edges of your Foodcubes as seen in *fig.D*



*fig.D*

## Step 3

Unzip your Foodcube Double Net and pull it over the top of the frames (with the zips facing outwards) so that each corner of the net sits over the **3-Way Connectors (1)** as seen in *fig.B*



*fig.B*

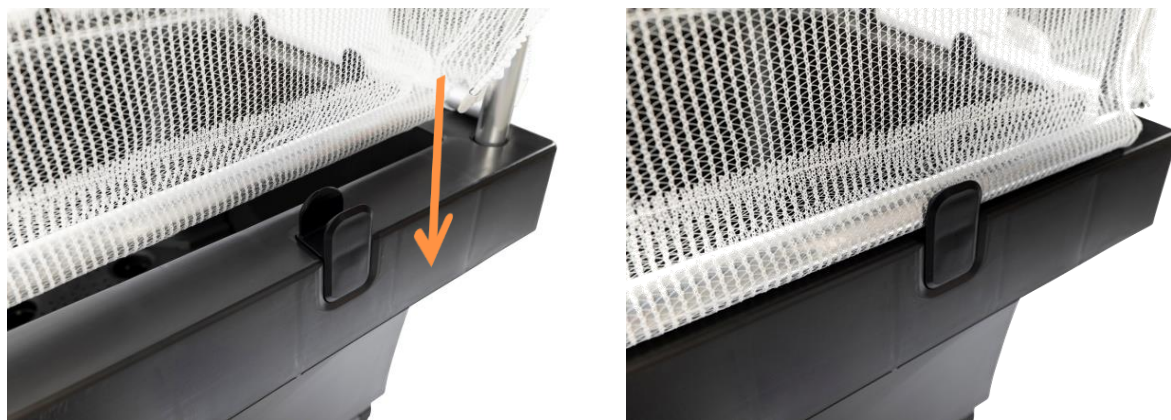


# Foodcube Double Net Assembly

Part 3 of 3

## Step 4

Insert the remaining 2 **1030mm Poles (2)** & 4 **1100mm Poles (9)** into the bottom hem of your **Foodcube's Double Net (7)**, then clip this hem & pole into the **Frame Clips (5)** as seen in *fig.C*



*fig.C*

*\*Foodcube Double Net System currently only available in the 30% pest netting\**

