

Soumatrix speakers installation guide

Preface

- ◆ *Soumatrix coaxial speakers combine bass and treble loudspeaker in one unit.
Just replace the car original bass loudspeaker in each of the front and rear doors.*

 - ◆ *Please disconnect the car original tweeter to disable it.*

 - ◆ *If the car equipped the amplifier and subwoofer originally,
please keep them and work together with Soumatrix speakers.
You simply adjust the balance or equalizer to fit your own preference.
Soumatrix speakers will give you better a room-coustic feeling.*

 - ◆ *This manual quoted some part of Skoda repair manual group
“Communication” and “General body repairs, interior”.*
-

2.1.1 Overview of fitting locations- sound system of the after 2015 version

Note

- ◆ The diagram shows the loudspeakers on the left-hand side.
- ◆ The right loudspeakers are installed as a mirror image.

1 -Front treble speaker

- removing and installing

2 -Multi-functional steering wheel

- Description and body work

3 -Rear treble speaker

- removing and installing

4 -Infotainment display unit/Infotainment display/control unit

- removing and installing for vehicles with navigation system

- removing and installing for vehicles without navigation system

5 -Infotainment control unit

- removing and installing

6 -Roof aerial

- for GPS signal receipt
- Additional information, removing and installing

7 -Rear window aerial

- Additional information and aerial overview

8 -Connections for external audio/video sources

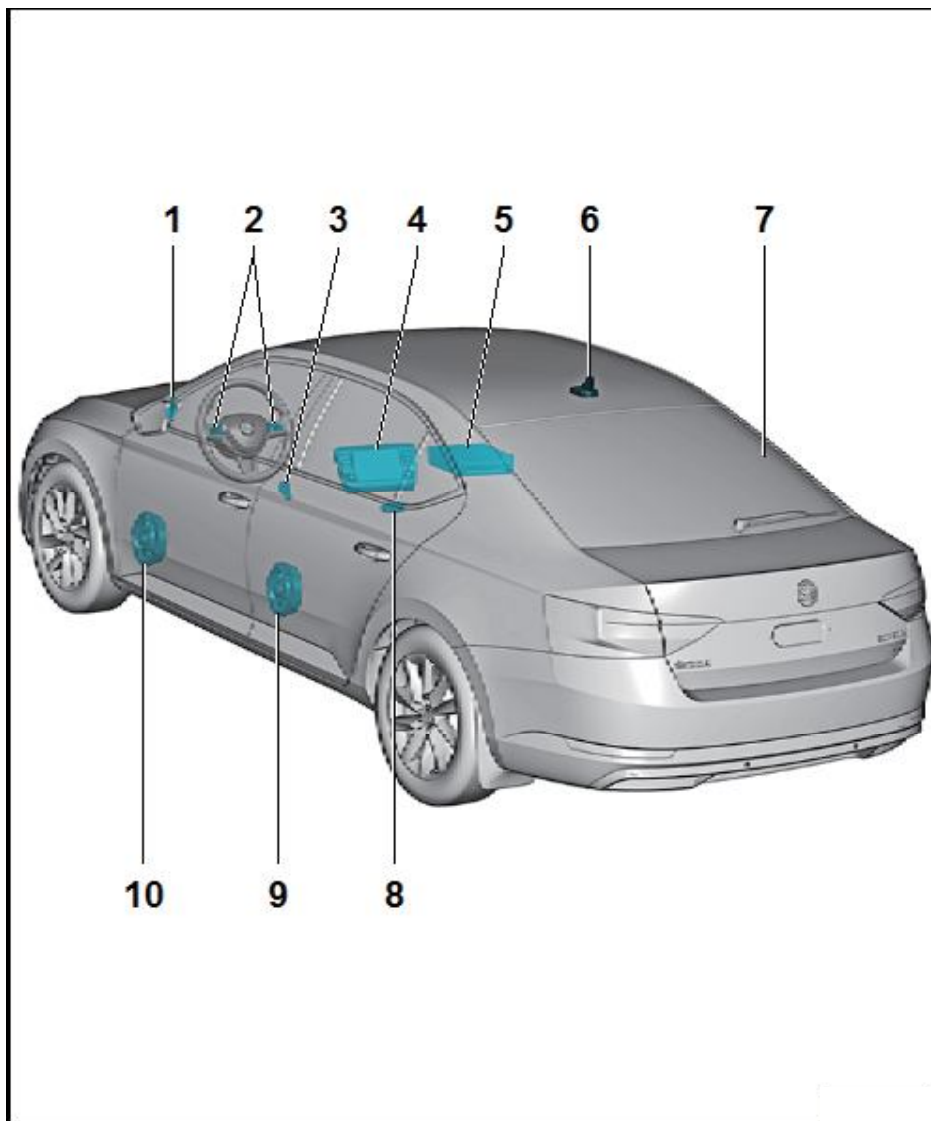
- removing and installing

9 -Rear bass speaker

- removing and installing

10 -Front bass speaker

- removing and installing



2.1.2 Overview of fitting locations- sound system of the before 2015 verison

Note

- ◆ The diagram shows the loudspeakers on the left-hand side.
- ◆ The right loudspeakers are installed as a mirror image.

1 - Radio/RNS -RX1-

2 - Front left treble loudspeaker -R20-/front right treble loudspeaker -R22-

- Installed in dash panel.
- Removing and installing

3 - Front left bass loudspeaker -R21-/front right bass loudspeaker -R23-

- Installed in front doors
- Removing and installing

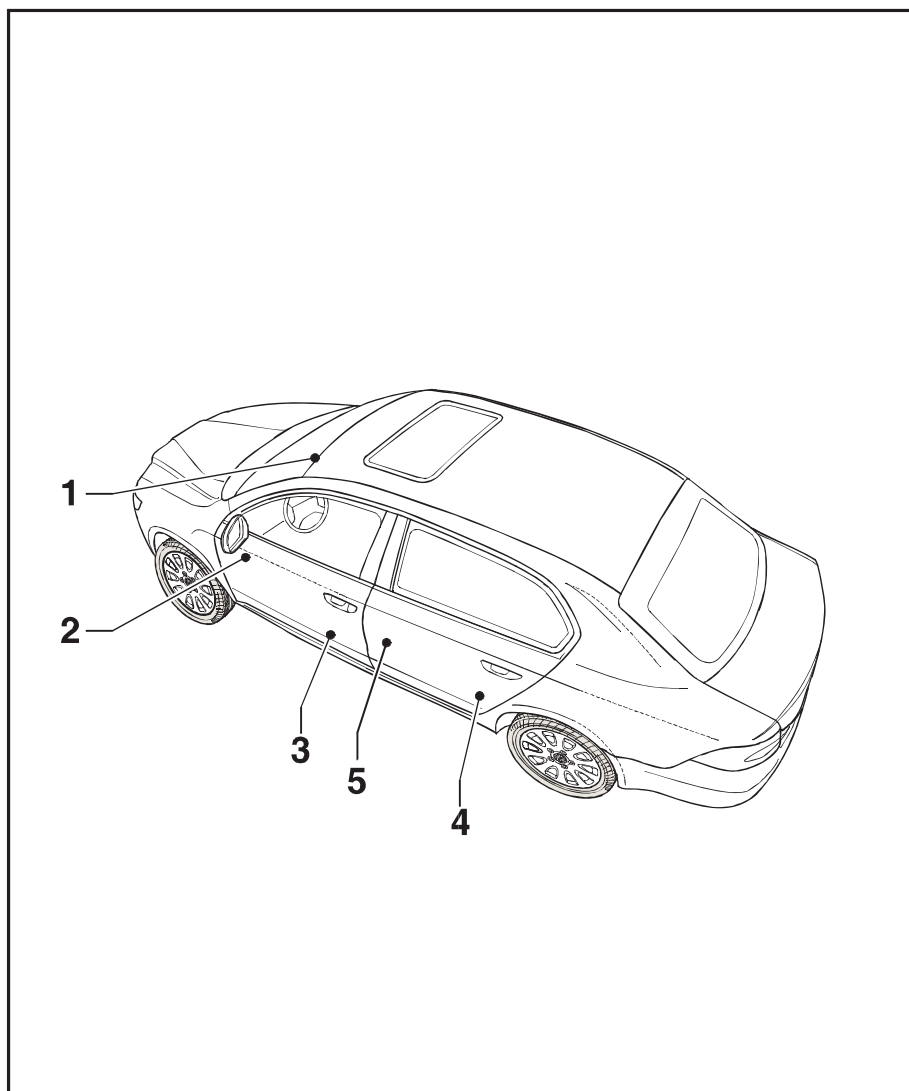
4 - Rear left bass loudspeaker -R15-/rear right bass loudspeaker -R17-

- Installed in rear doors
- Removing and installing

5 - Rear left treble loudspeaker -R14-/rear right treble loudspeaker -R16-

- Installed in rear door trims

- Removing and installing



2.2 Removing the car original bass loudspeakers and installing Soumatrix speakers

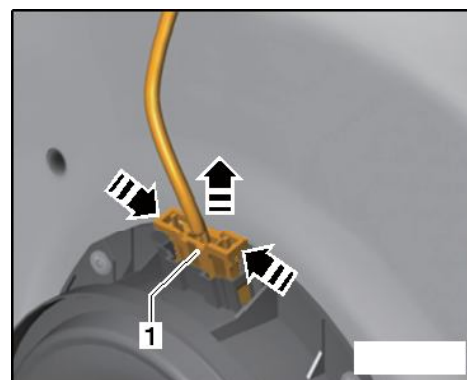
Note

- ◆ Removal and installation are described and illustrated for left bass loudspeaker.
- ◆ Removal and installation of the right bass loudspeaker are similar (mirror image of left-hand side).

Removing

Carry out following work before starting reinstallation:

- Switch off ignition and all electrical loads, and pull out ignition key.
- Remove door trim ⇒ General body repairs, interior; Rep. gr. 70; Door trims; Removing and installing front door trim.
- Release connector catch on loudspeaker in -direction of arrow- and disconnect connector -1-.

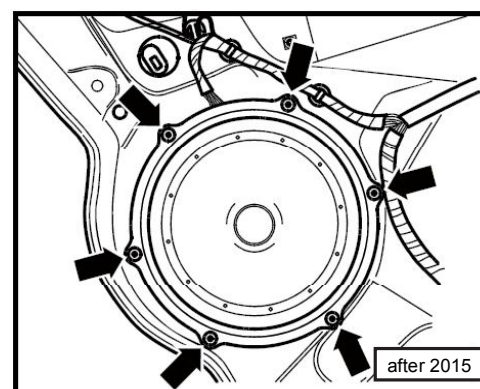
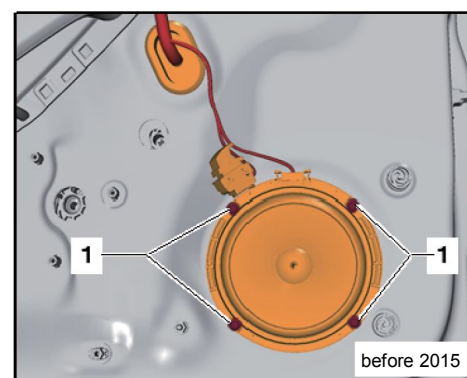


- Drill out rivets -1- with a suitable drill bit and remove loudspeaker.

Caution

It is essential that all swarf be removed from the door because otherwise corrosion damage will occur.

If necessary, immediately rectify any damage to paintwork caused when drilling out rivets.



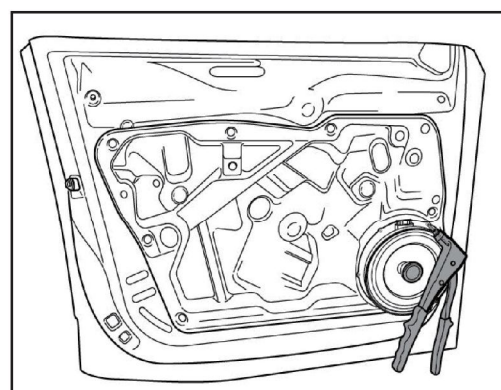
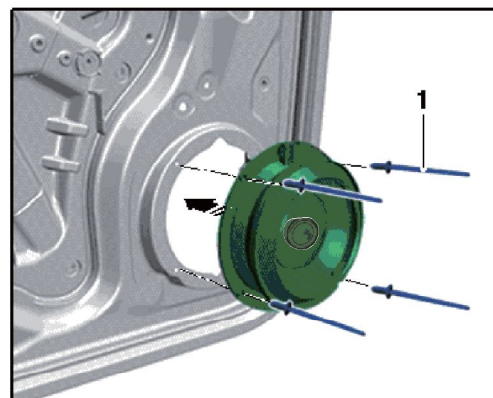
Installing

Note

When installing Soumatrix speakers, secure it with the attached rivets.

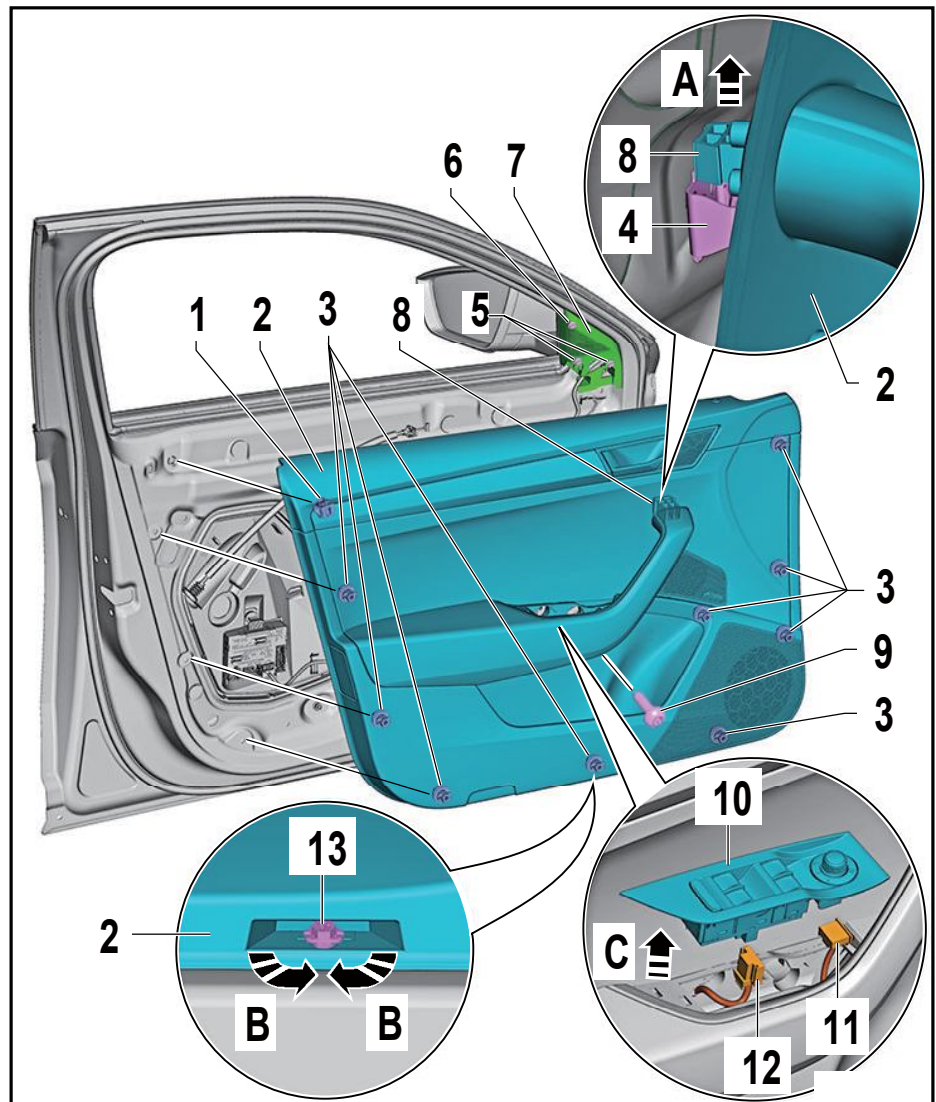
- Insert loudspeaker in -direction of arrow- and secure with rivets -1-.
- Push connector back into speaker.

Remainder of installation is carried out in reverse order of removal.



2.3.1 Removing the front door trim and disconnect the original front tweeter(after 2015)

- Unclip the trim in order from the clips -3- and the crash clip -1-.



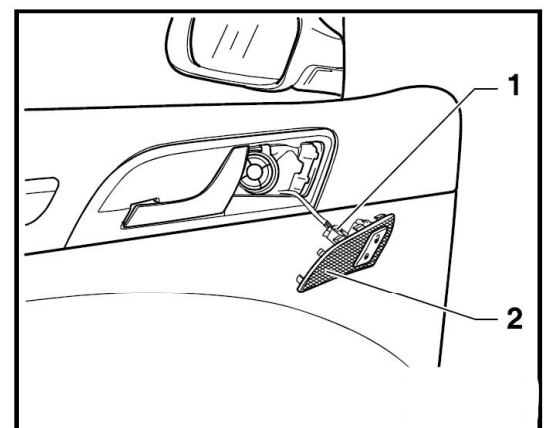
- Remove door trim upwards from the door strip.
- Simultaneously slide the pin for the door trim -8- out of the window clamp -4- in direction of arrow -A-.
- Disconnect the electrical plug connections from the door trim panel depending on the vehicle equipment.
- Disconnect the front tweeter plug -1-.
- Remove trim from the door.

Install

- Installation is carried out in the reverse order.

Note

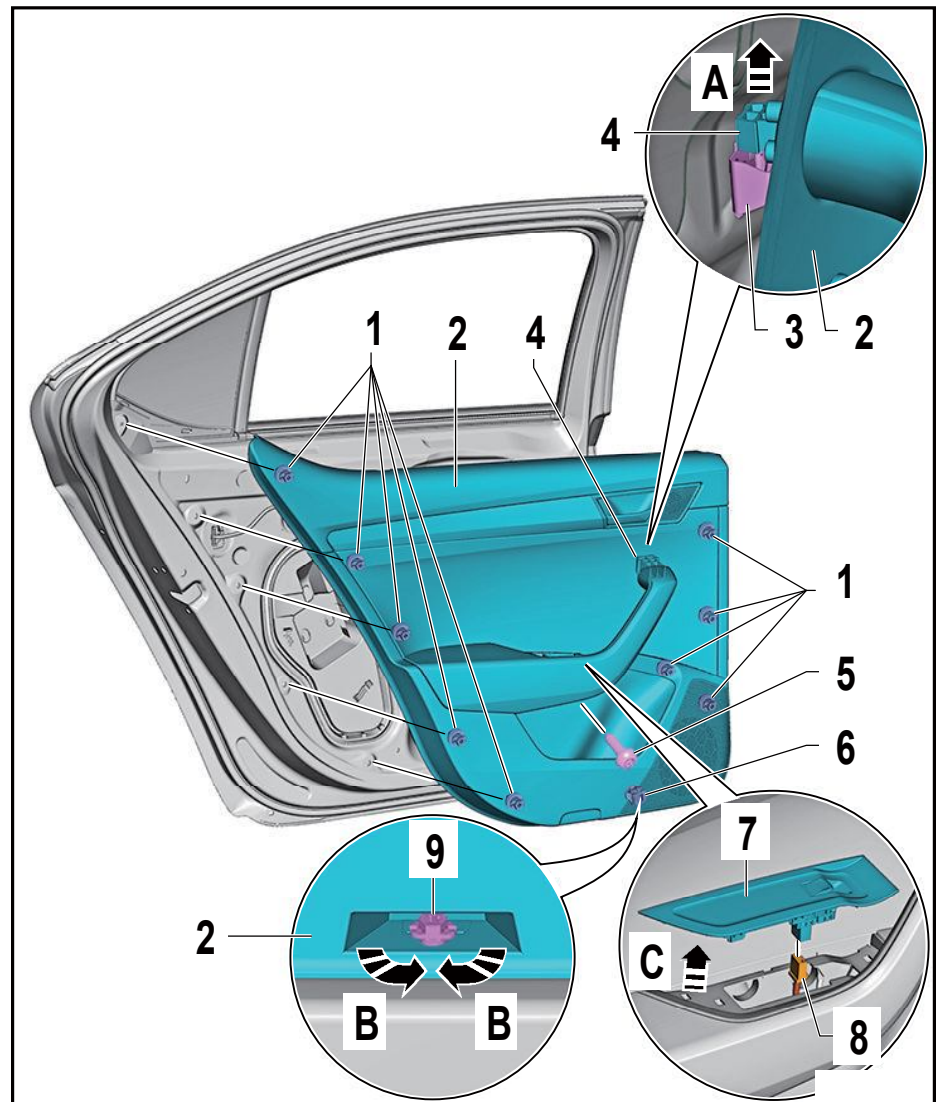
Before the installation, check all the fixing elements for damage, if necessary replace.



2.3.2 Removing the rear door trim and disconnect the original rear tweeter(after 2015)

- Unclip switch module for electrical window lifter -7- in direction of arrow -C-.

- Unplug connector -8-.
- Release screw -5- (4 Nm).
- Rotate nut -9- by 90° in direction of arrow -B- at the bottom side using the open-end spanner SW10 to one side or the other and release the trim -2-.
- Unclip the trim in order from the clips -1-.
- Remove door trim upwards from the door strip.
- Simultaneously slide the pin for the door trim -4- out of the window clamp -3- in direction of arrow -A-.



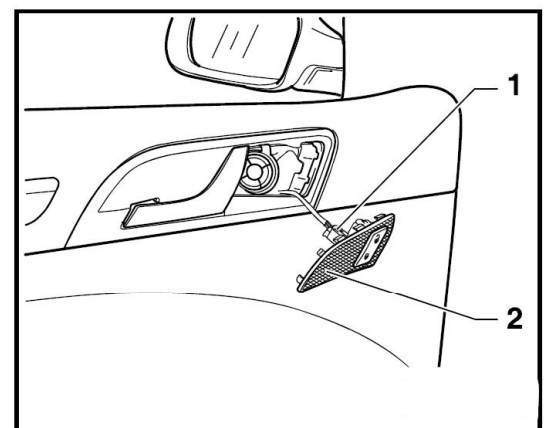
- Disconnect the electrical plug connections from the door trim panel depending on the vehicle equipment.
- Disconnect the front tweeter plug -1-.
- Remove trim from the door.

Install

- Installation is carried out in the reverse order.

Note

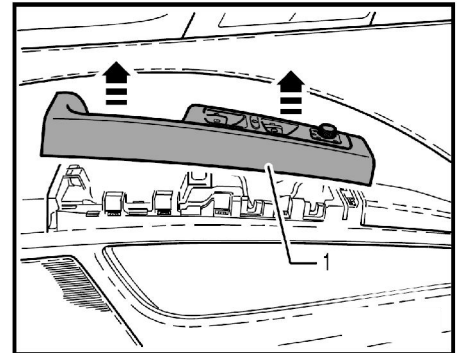
Before the installation, check all the fixing elements for damage, if necessary replace.



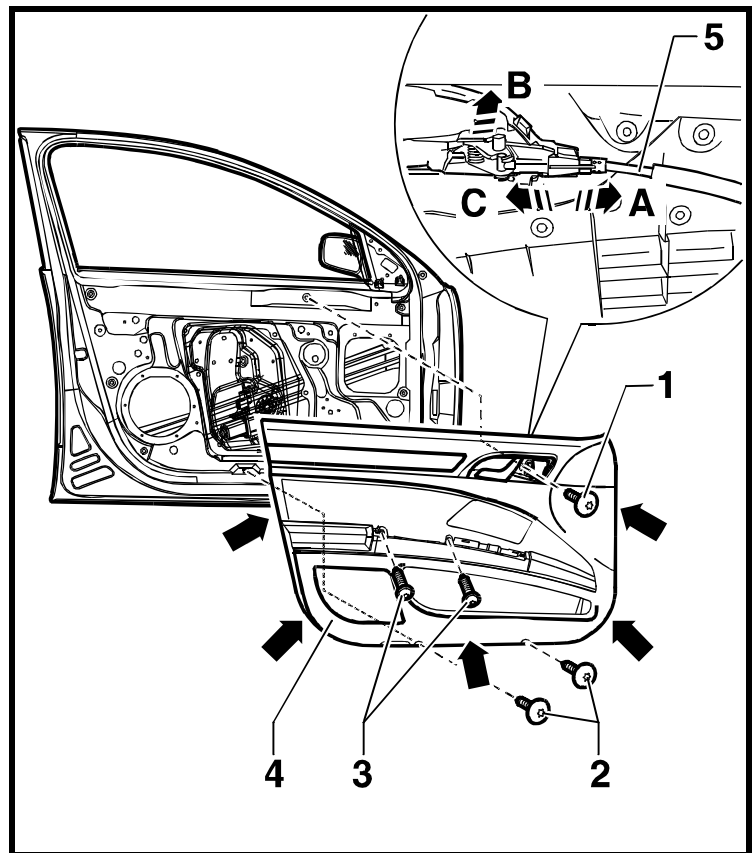
2.4.1 Removing the front door trim and disconnect the front tweeter(before 2015)

Removing

- Remove the handle trim -1-.
- Release the plug connection.



- Remove screw -1-, -2-.
- Unclip the trim in order from the clips -arrow-.
- Remove door trim upwards from the door strip.



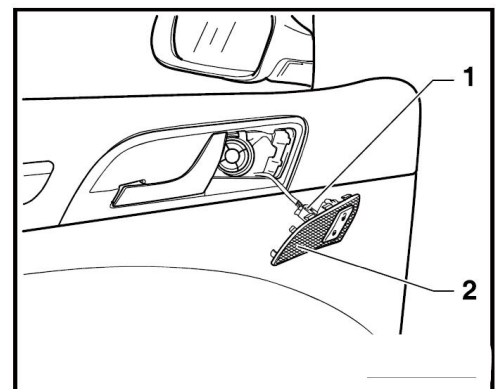
- Disconnect the electrical plug connections from the door trim panel depending on the vehicle equipment.
- Disconnect the front tweeter plug -1-.
- Remove trim from the door.

Install

- Installation is carried out in the reverse order.

Note

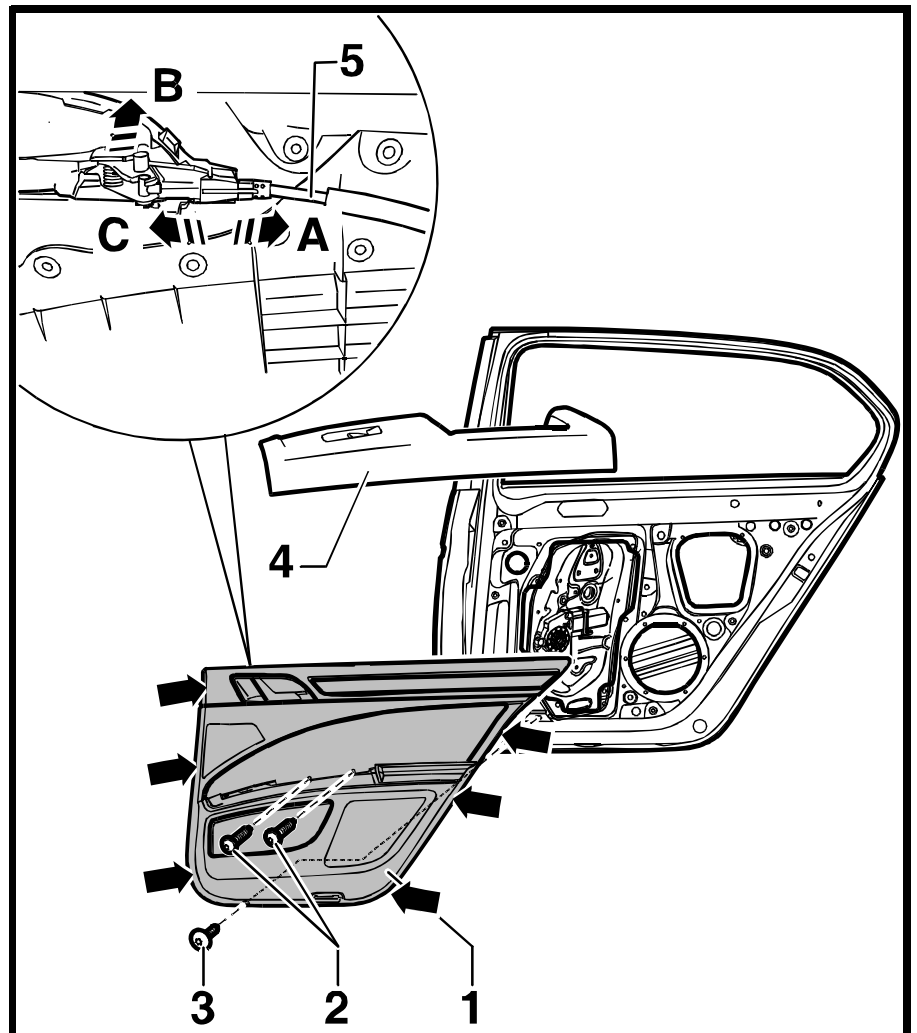
Before the installation, check all the fixing elements for damage, if necessary replace.



2.4.2 Removing the rear door trim and disconnect the rear front tweeter(before 2015)

Removing

- Remove the handle trim -4-.
- Release the plug connection of handle trim.
- Remove screw -2-, -3-.
- Unclip the trim in order from the clips -arrow-.
- Remove door trim upwards from the door strip.



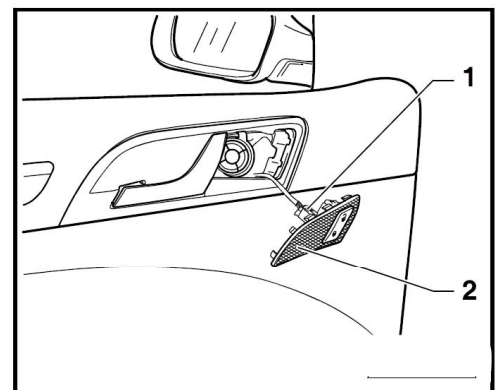
- Disconnect the electrical plug connections from the door trim panel depending on the vehicle equipment.
- Disconnect the front tweeter plug -1-.
- Remove trim from the door.

Install

- Installation is carried out in the reverse order.

Note

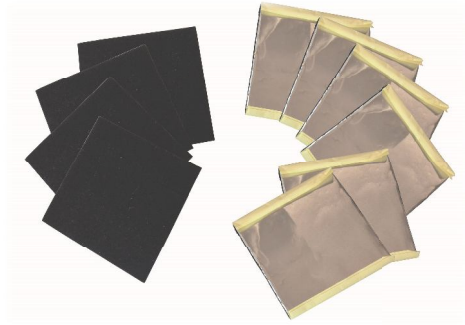
Before the installation, check all the fixing elements for damage, if necessary replace.



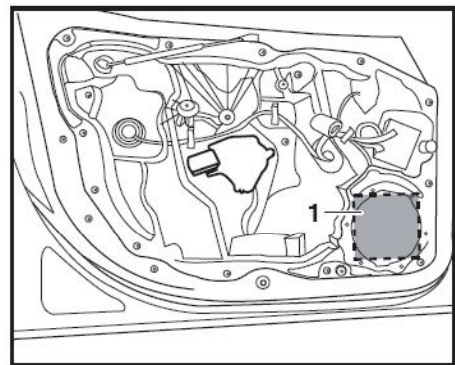
Acoustic Improvement on door (optional)

◆ *The acoustic components can improve the acoustic result in car by key position treatment.*

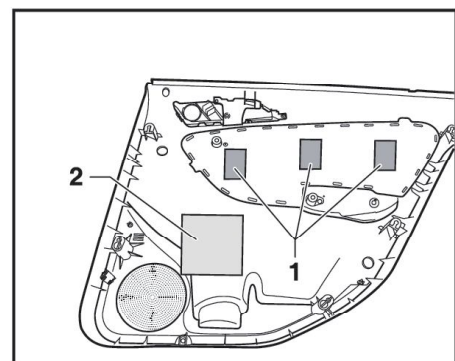
- *The real stuff you can see as picture shown.*
- *The left side are absorber sheet, which can absorber air shock from the speaker back.*
- *The right side are damping sheet, which can reduce the vibration from the door.*



- *Paste the absorber sheet - 1 - on the door sheet metal behind the speaker as the pic shown.*



- *Paste the damping sheet - 1 - 2 - on the right position. It depends vibration point by touch.*



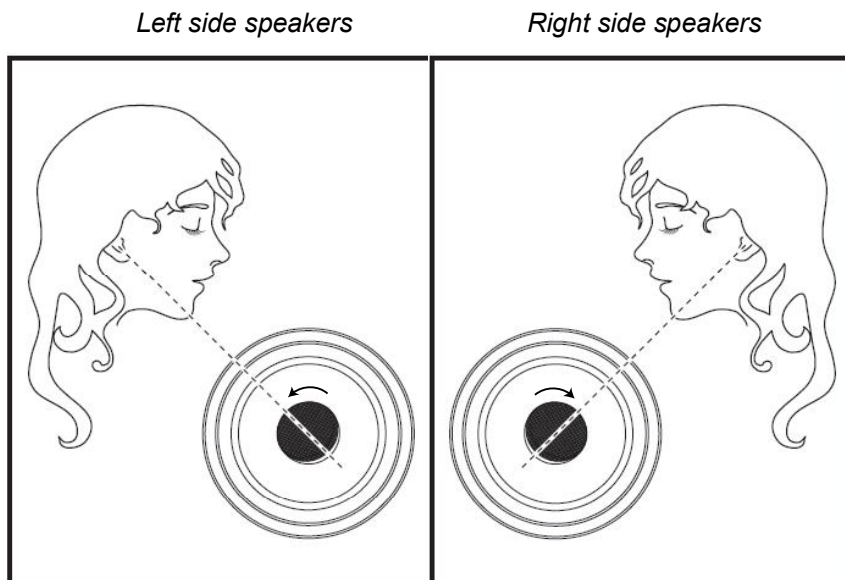
Tweeter angle adjustment

- ◆ *Soumatrix speakers tweeter is Bionic wide-angle point source design, which can be rotated 90 degree.*

- *For your best listening position, you can adjust the tweeter angle toward your ear.*

- *The left side speakers, you should rotate the tweeter to a limited quarter turn to the left-hand.*

- *The right side speakers, you should rotate the tweeter to a limited quarter turn to the right-hand.*



- *Please reverse the detached process to recover the door trim panel and the connectors. Ensure all the function is OK.*

- *To obtain best result, leave Soumatrix speakers to burn-in at least 20 hours below 80% power after installation.*