

Soumatrix speakers installation guide

Preface

- ◆ *Soumatrix coaxial speakers combine bass and treble loudspeaker in one unit.
Just replace the car original bass loudspeaker in each of the front and rear doors.*
 - ◆ *Please disconnect the car original tweeter to disable it.*
 - ◆ *If the car equipped the amplifier and subwoofer originally,
please keep them and work together with Soumatrix speakers.
You simply adjust the balance or equalizer to fit your own preference.
Soumatrix speakers will give you better a room-coustic feeling.*
 - ◆ *This manual quoted some part of VW repair manual group
“Communication” and “General body repairs, interior”.*
-

2.1.1 Overview – sound system, 8 loudspeakers

1 - Interface for external multimedia devices -R215-

- Installed in glove compartment

2 - CD changer -R41-

- 6-disc CD changer
- Installed in glove compartment

3 - Radio -R-

- RCD 310
- Removing and installing
- Overview of connectors
- Anti-theft coding

4 - Connection for external audio sources -R199-

- Fitted in storage compartment beneath centre armrest

5 - Roof aerial -RX5-

- Installed on rear of roof

6 - Aerial -R11- and radio aerial 2 -R93-

- Installed in rear window, for radio reception with diversity function
- Optionally also aerial for digital radio reception DAB

7 - Rear right treble loudspeaker -R16- and rear left treble loudspeaker -R14-

- Installed in door trims of left and right rear doors

8 - Rear right bass loudspeaker -R17- and rear left bass loudspeaker -R15-

- Installed in door trims of left and right rear doors

9 - Amplifier -R12-

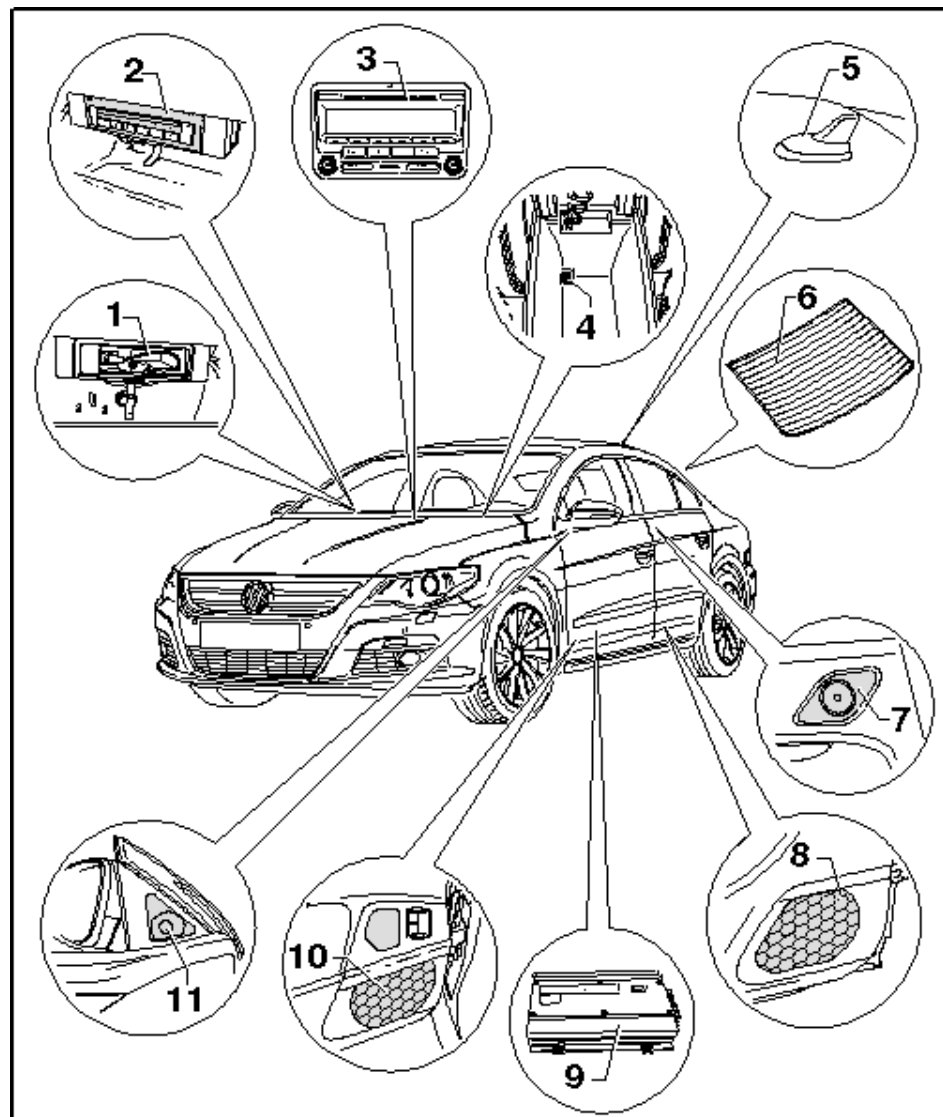
- Installed under left front seat

10 - Front right mid-range loudspeaker -R104- and Front left mid-range loudspeaker -R103- as well as Front right bass loudspeaker -R23- and Front left bass loudspeaker -R21-

- Installed in door trim panel in both front doors
- Mid-range loudspeakers are only installed in conjunction with the sound system.
- Mid-range loudspeakers and bass loudspeakers are installed as a unit.
- Without sound system only the bass loudspeaker is installed here. Mid-range sounds are handled by the bass and treble loudspeakers.

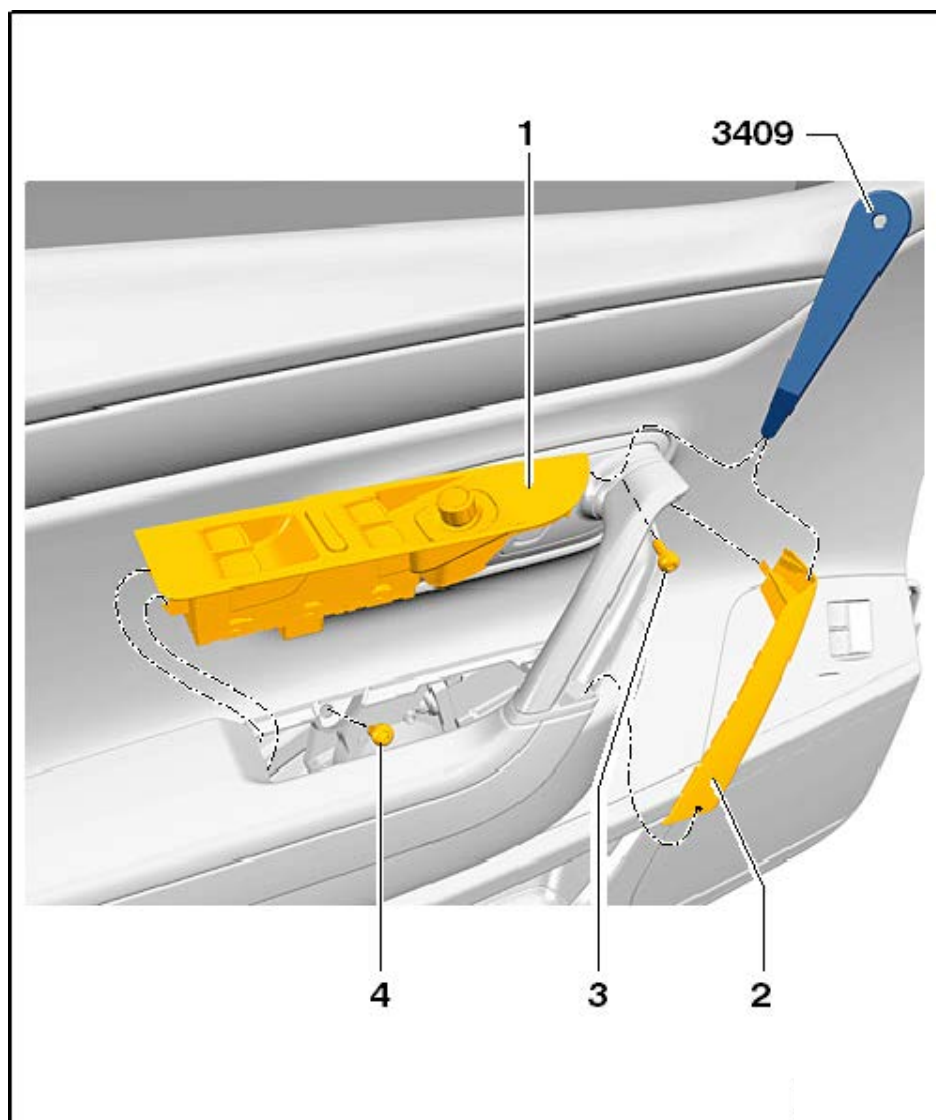
11 - Front right treble loudspeaker -R22- and front left treble loudspeaker -R20-

- Installed in mirror triangular trim plate in both front doors.



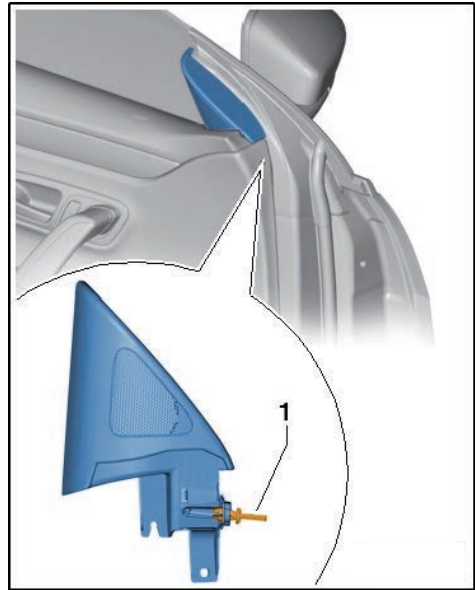
2.3 Removing the door trim

- First release front of switch mounting -1- from locking device using removal wedge -3409- then remove switch mounting from door trim.
- Disconnect fitted wiring harnesses.
- First release top of door grip moulding -2- from locking device using removal wedge -3409- then remove from door trim.

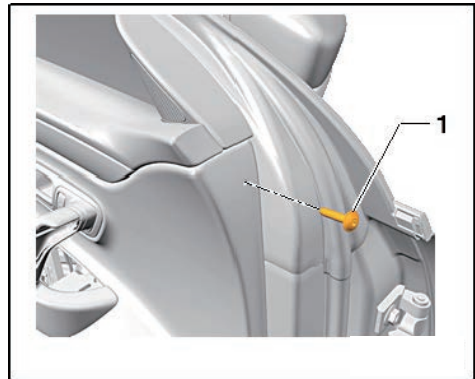


Vehicles with spreader rivet

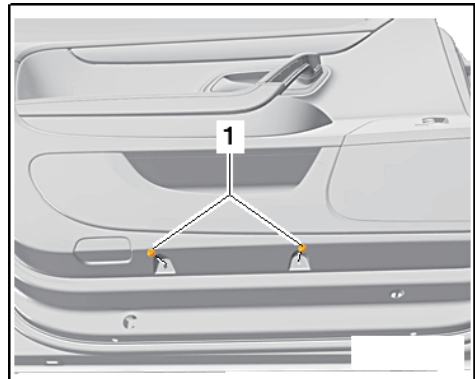
- Remove spreader rivet -1-.

Vehicles with bolt

- Remove bolt -1- .

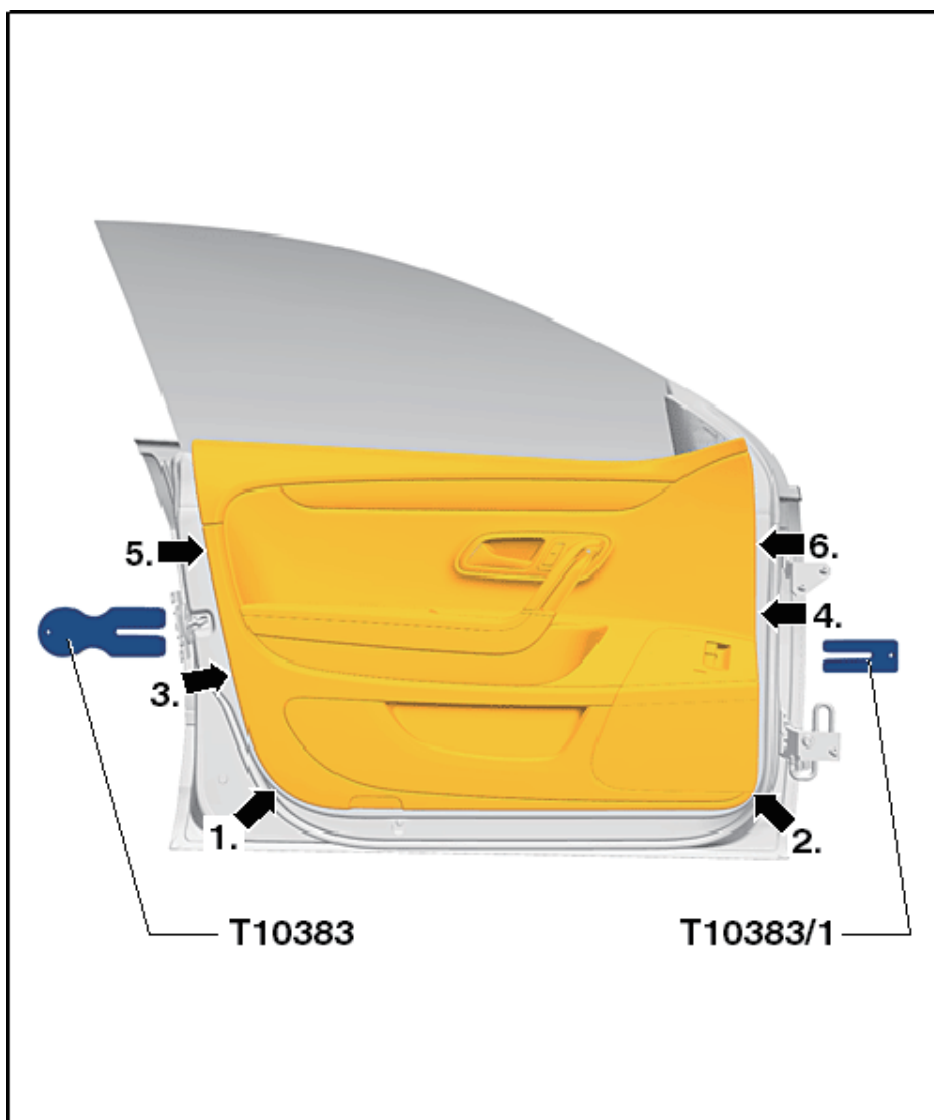
All vehicles

- Remove bolts -1- .

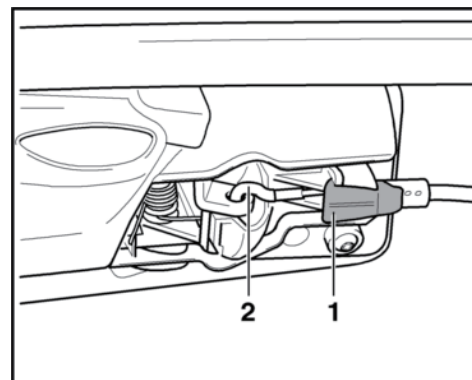
**⚠ Caution**

When the door trim is separated, there is a risk that fastening elements may be damaged. To avoid this, always follow the specified order and positions of clips when removing the door trim.

- Release door trim from clips in -specified sequence- using wedges -T10383-.



- Pull door trim upwards vertically out of window slot.
- On inner side of door trim, pull securing tab -1- outwards.
- Pull Bowden cable to rear out of guide.
- Now unhook Bowden cable -2- from interior door handle.
- Depending on vehicle equipment, disconnect wiring harnesses from door trim.



2.4 Removing the car original bass loudspeakers and installing Soumatrix speakers

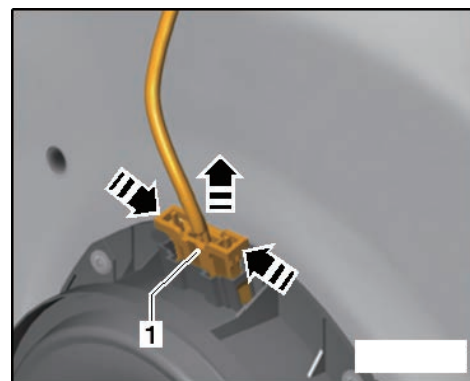
Note

- ◆ Removal and installation are described and illustrated for left bass loudspeaker.
- ◆ Removal and installation of the right bass loudspeaker are similar (mirror image of left-hand side).

Removing

Carry out following work before starting reinstallation:

- Switch off ignition and all electrical loads, and pull out ignition key.
- Remove door trim ⇒ General body repairs, interior; Rep. gr. 70; Door trims; Removing and installing front door trim.
- Release connector catch on loudspeaker in -direction of arrow- and disconnect connector -1-.

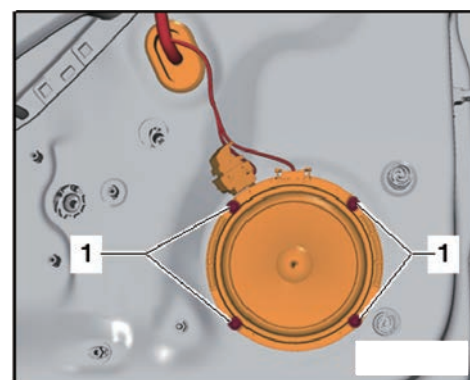


- Drill out rivets -1- with a suitable drill bit and remove loudspeaker.

Caution

It is essential that all swarf be removed from the door because otherwise corrosion damage will occur.

If necessary, immediately rectify any damage to paintwork caused when drilling out rivets.



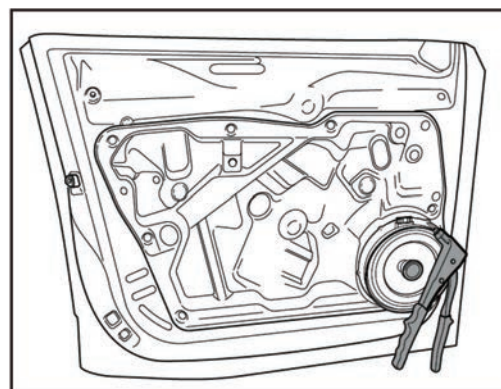
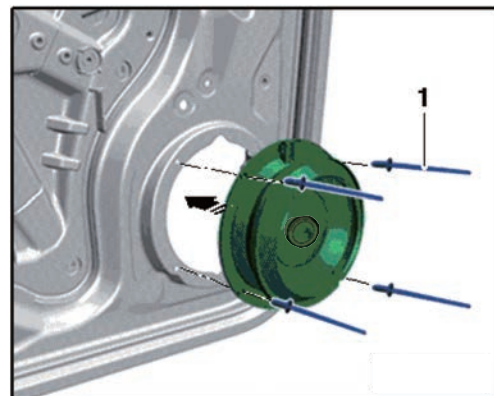
Installing

Note

When installing Soumtarix speakers, secure it with the attached rivets.

- Insert loudspeaker in -direction of arrow- and secure with 4 rivets -1-.
- Push connector back into speaker.

Remainder of installation is carried out in reverse order of removal.



2.5 Disconnecting front original tweeter

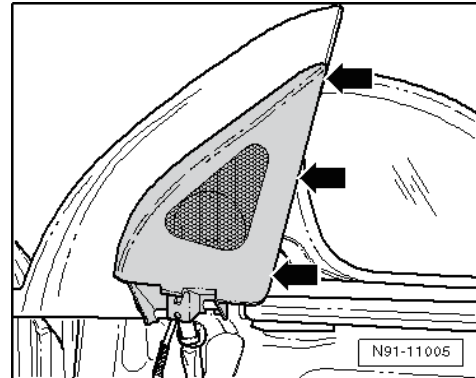
The front left tweeter and front right tweeter are installed in dash panel.

Note

- ◆ Removal is described and illustrated for front left tweeter .
- ◆ Removal of the front right ttweeter are similar (mirror image of left-hand side) .

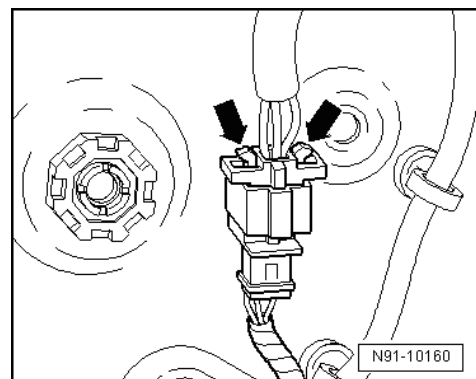
i Note

- ◆ *The treble loudspeaker is installed in mirror triangular trim plate in both front doors.*

**Removing****i Note**

- ◆ *In order to improve the acoustic environment, it is necessary to release original treble and center speakers*

- Unclip trim together with loudspeaker -arrows-.

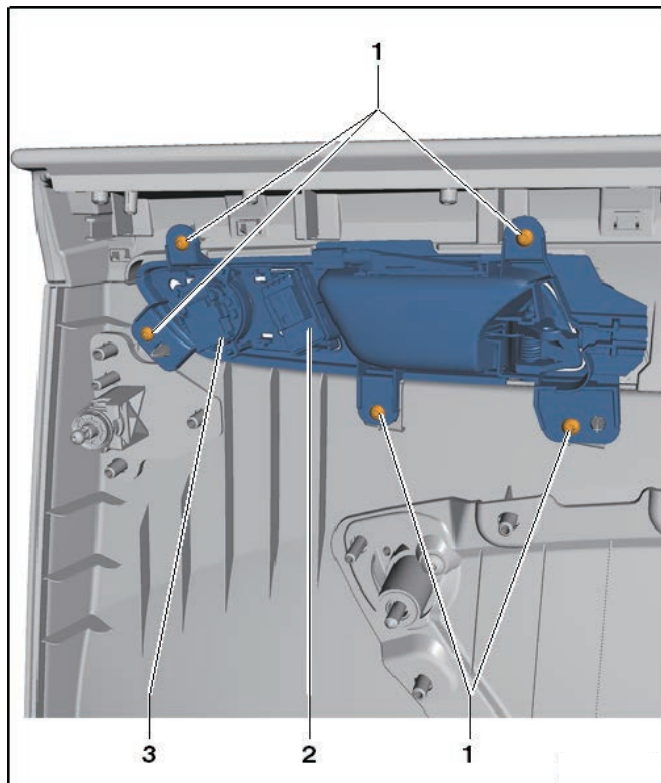


2.6 Disconnecting and installing rear original tweeter

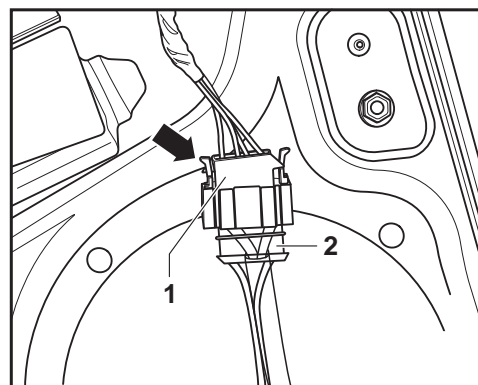
Note

- ◆ Removal and installation are described and illustrated for the rear left tweeter.
- ◆ Removal and installation of the rear right tweeter are similar (mirror image of left-hand side).

- Disconnect rear treble loudspeaker from door trim.



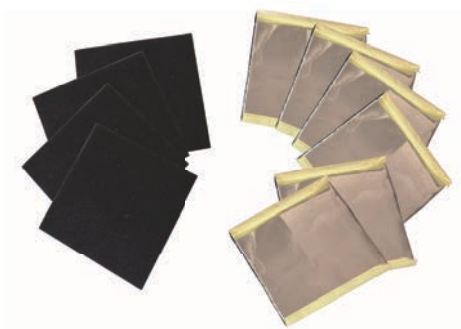
- Just release the connector, don't remove anything.



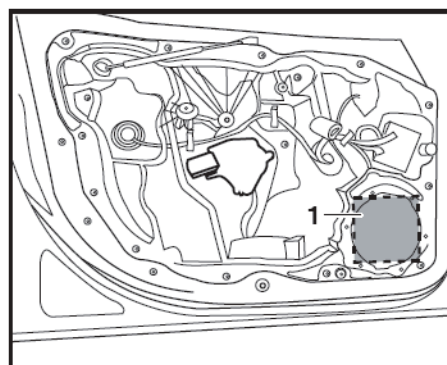
Acoustic Improvement on door (optional)

◆ *The acoustic components can improve the acoustic result in car by key position treatment.*

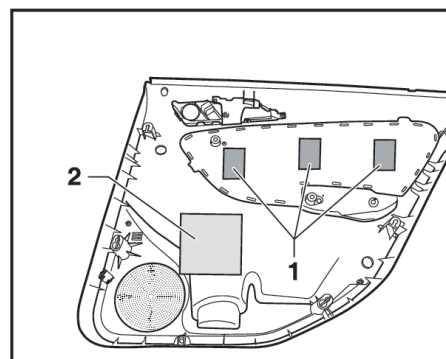
- *The real stuff you can see as picture shown.*
- *The left side are absorber sheet, which can absorber air shock from the speaker back.*
- *The right side are damping sheet, which can reduce the vibration from the door.*



- *Paste the absorber sheet - 1 - on the door sheet metal behind the speaker as the pic shown.*



- *Paste the damping sheet - 1 - 2 - on the right position. It depends vibration point by touch.*



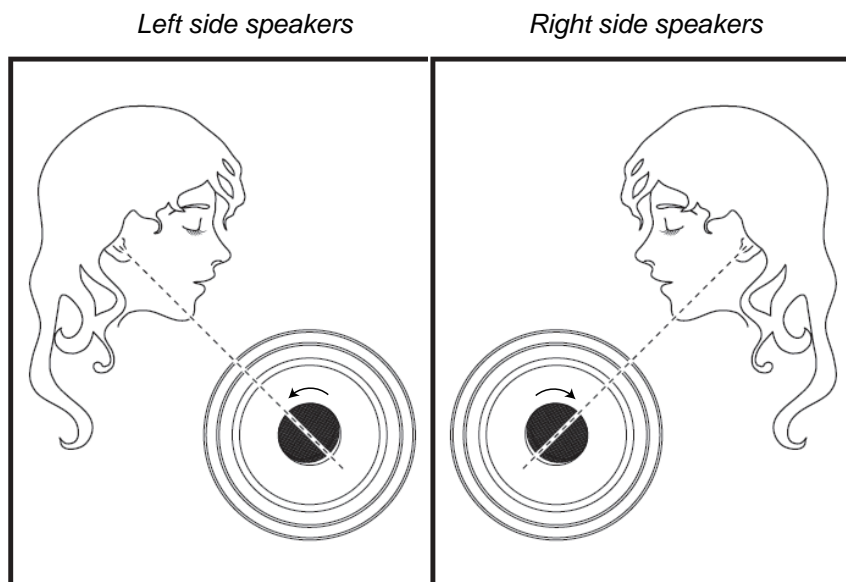
Tweeter angle adjustment

- ◆ *Soumatrix speakers tweeter is Bionic wide-angle point source design, which can be rotated 90 degree.*

- *For your best listening position, you can adjust the tweeter angle toward your ear.*

- *The left side speakers, you should rotate the tweeter to a limited quarter turn to the left-hand.*

- *The right side speakers, you should rotate the tweeter to a limited quarter turn to the right-hand.*



- *Please reverse the detached process to recover the door trim panel and the connectors. Ensure all the function is OK.*

- *To obtain best result, leave Soumatrix speakers to burn-in at least 20 hours below 80% power after installation.*