

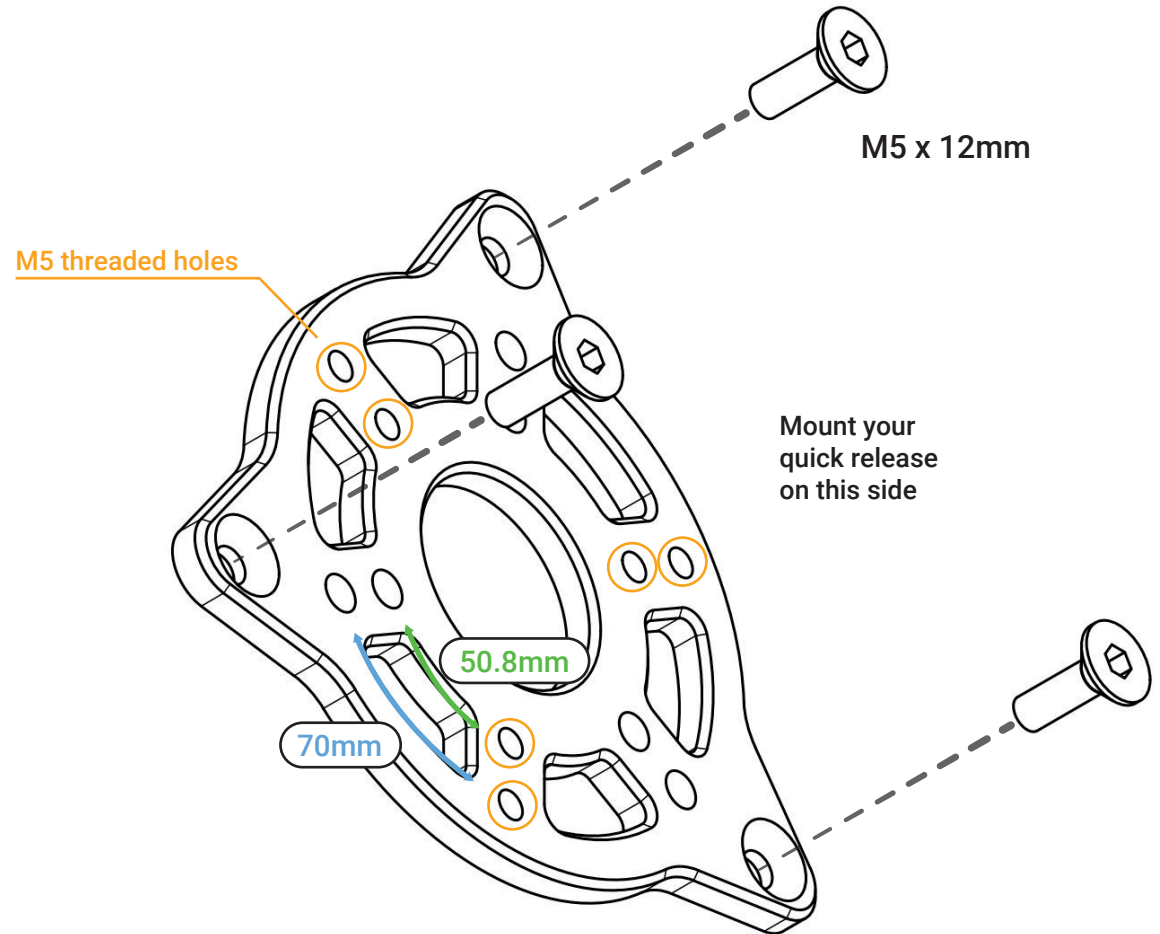
Ω ONE & Ω PRO

BAVARIAN **SIM** TEC

Owners manual

Mount a quick release

- Mount your desired quick release to the adapter plate.
- Choose between the **70mm** or **50.8mm** bolt pattern.
- Choose between **threaded** and non-threaded holes.
- Use the supplied M5 x 12 mm screws to mount the unit of adapter plate and quick release back on to the wheel.



Steering wheel connection

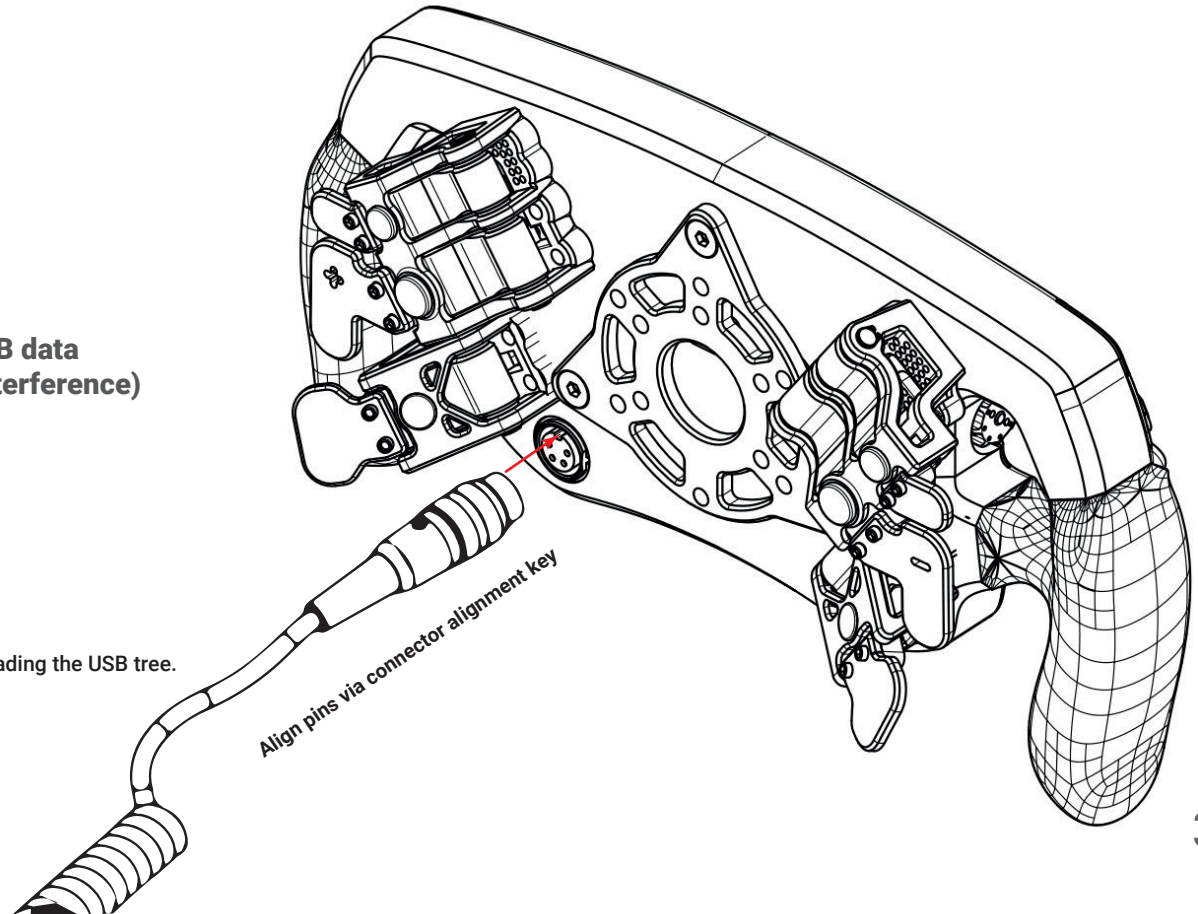
For smooth operation, we recommend using one of the following connection methods:

BSTec coiled cable -> Powered USB hub -> PC

BSTec coiled cable -> Active USB repeater -> PC

To ensure proper operation, you need to have a clean, reliable USB data throughput signal and the absence of EMI (Electrical Magnetic Interference) from other devices.

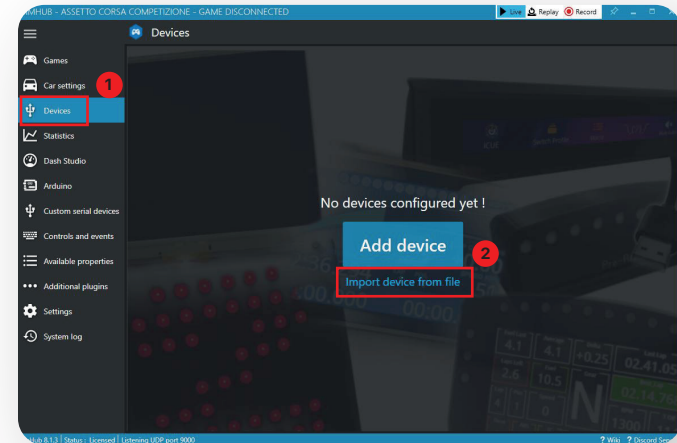
1. Connect the wheel via a powered USB hub or directly to your computer.
2. Avoid excessively long USB extension cables. Data degrades on longer USB extensions.
3. Please update AMD systems with poor USB performance to AGESA bios 1.2.0.2 or higher.
4. Check for EMI (Electrical Magnetic Interference) and ground your rig if needed.
5. Try different USB ports if one port is not performing to spec.
6. Check coiled cable to make sure cable housing is screwed on tight.
7. USB shares data throughput with all devices on the system. Make sure you are not overloading the USB tree.
8. Use a dedicated PCIE USB card. (We recommend NEC chipset cards)



Setup SimHub

- 1 [Download](#) & install the latest SimHub version
- 2 [Download](#) the BavarianSimTec Dashboard/LED/Screen Driver
- 3 Install the “VoCoreScreenSetup.exe”
- 4 Double click the BavarianSimTec_Omega.dash to install the dashboard.
Click “Import into SimHub Library”

- 5 In SimHub go to the “Devices” Tab on the left hand side. **1**
Then click “Import device from file”. **2**
Select the file “BavarianSimTec_Omega.shdevice”

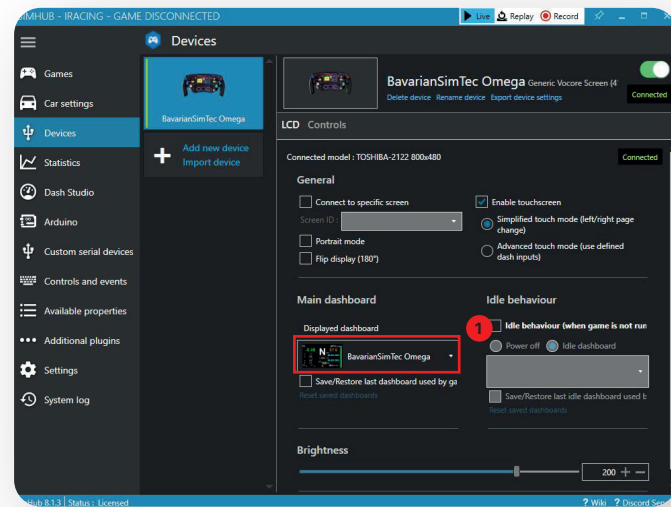


5.1 Here you can select the displayed dashboard 1

Display Troubleshoot

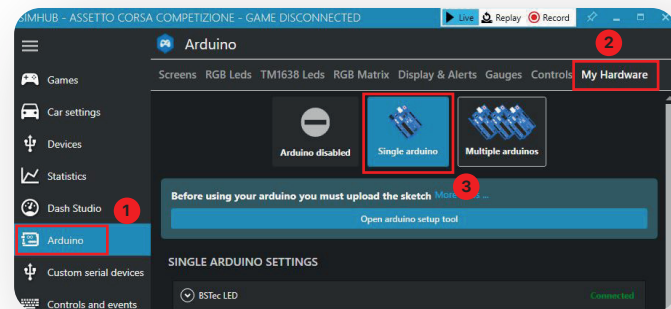
- Make sure you have installed the VoCore screen driver from Step 2
- Make sure you have followed the connection guidelines from page 3

Join our Discord for more help



Step 5.1

- 6 In SimHub go to the "Arduino" tab on the left hand side. 1
- Navigate to "My Hardware" on the top bar. 2
- Select "Single arduino". 3



Step 6

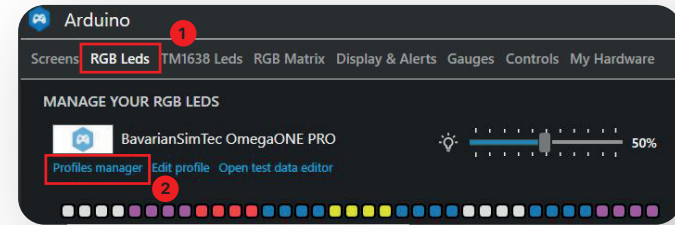
- 7 Navigate to “RGB Leds” on the top bar. ①
Click on “Profiles manager”. ②

- 8 Click “Import Profile”. ①
Select the Profile in the folder from step 2.
Click on the profile until it is highlighted. ②
Click “LOAD”. ③

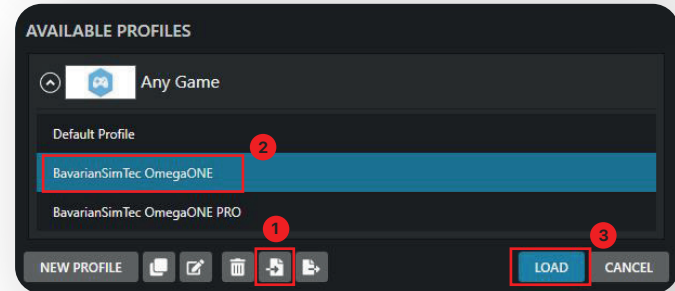
LED Troubleshoot

- Test the LED by opening the test data editor
- Make sure you have a valid connection by going to the SimHub Page in step 6 and confirm the BSTec LED is connected

[Join](#) our Discord for more help



Step 7

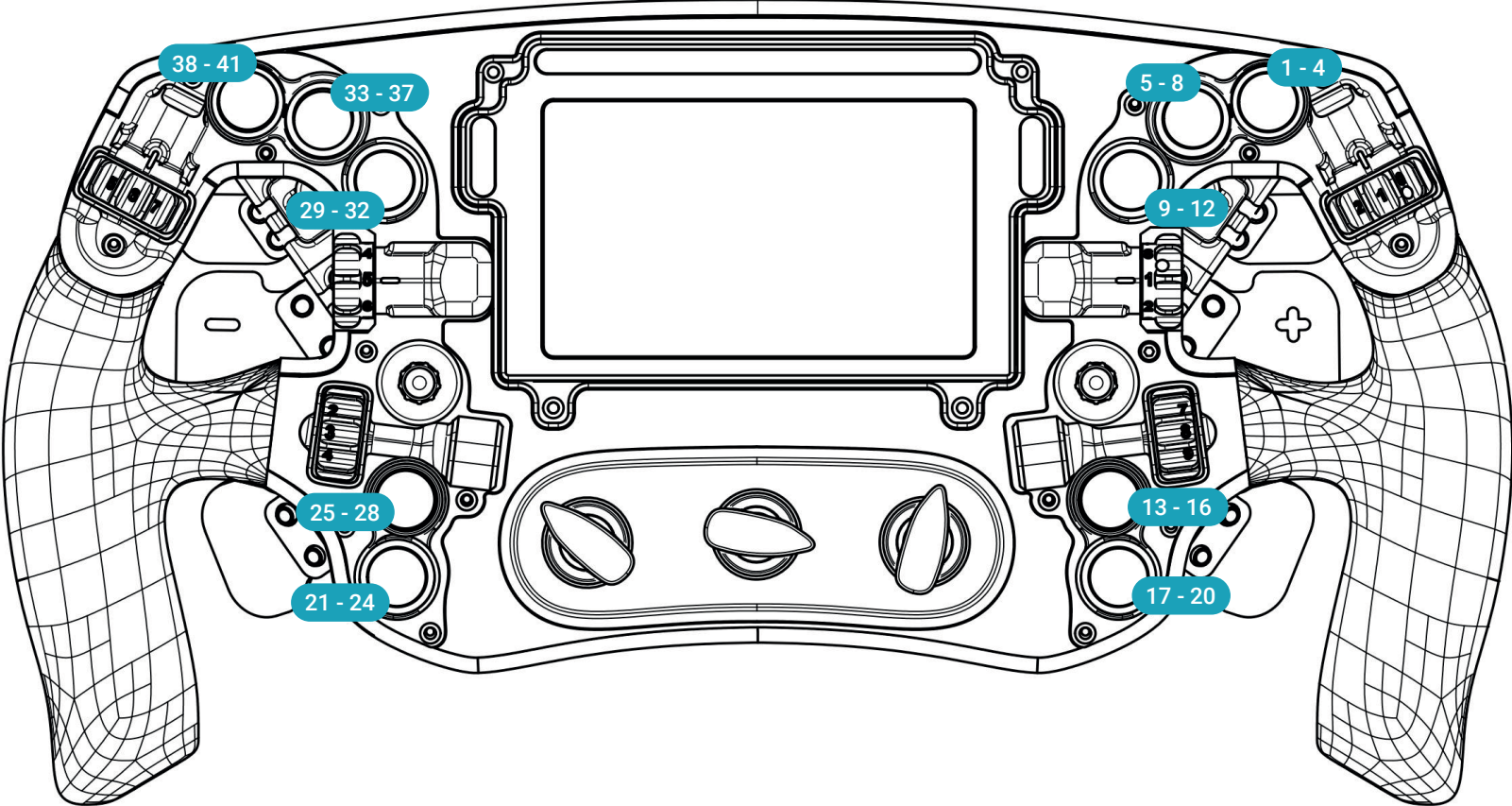


Step 8

Important!

DO NOT attempt to program or upload a new Arduino sketch using SimHub to the BavarianSimTec steering wheel. Any attempt to upload a new sketch will disable the wheel LEDs and will need to be sent back to BavarianSimTec for reprogramming at the users cost.

LED Button Positions (ΩPRO)



Control Menu Screen

Enter the control menu by turning all 12 Position rotary switches to position 12. ●
Save & Exit the control menu by turning the left or right rotary switch.

Lorem ipsum

Clutch

- Change clutch mode. ● (Off, Button Mode, Dual Axis, Dual Clutch)
- Bite Point. Change the bite point with the right encoder. ●
Save up to 12 bite points on the steering wheel directly. Choose the bite point with the 12 position rotary switch in the middle. ●
- Calibrate clutch ● Press & Hold button. Follow instructions on screen.
- Master clutch selection ● Press 7-Way Switch/Button to select master clutch side.

PRO Functions

- Change the mode of your GrayHill rotary switches (Continuous, Blip, Encoder) ●

