

# TIPI

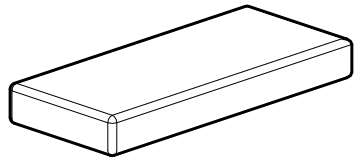


# IMPORTANT



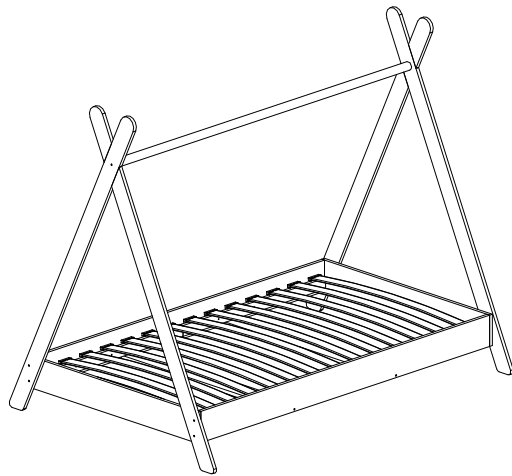
Beds are for sleeping,  
not for jumping

Prohibit more than  
one person on bed



Use only mattresses  
with thickness of 8-12 cm

Bed parts have 2 years  
warranty in normal use

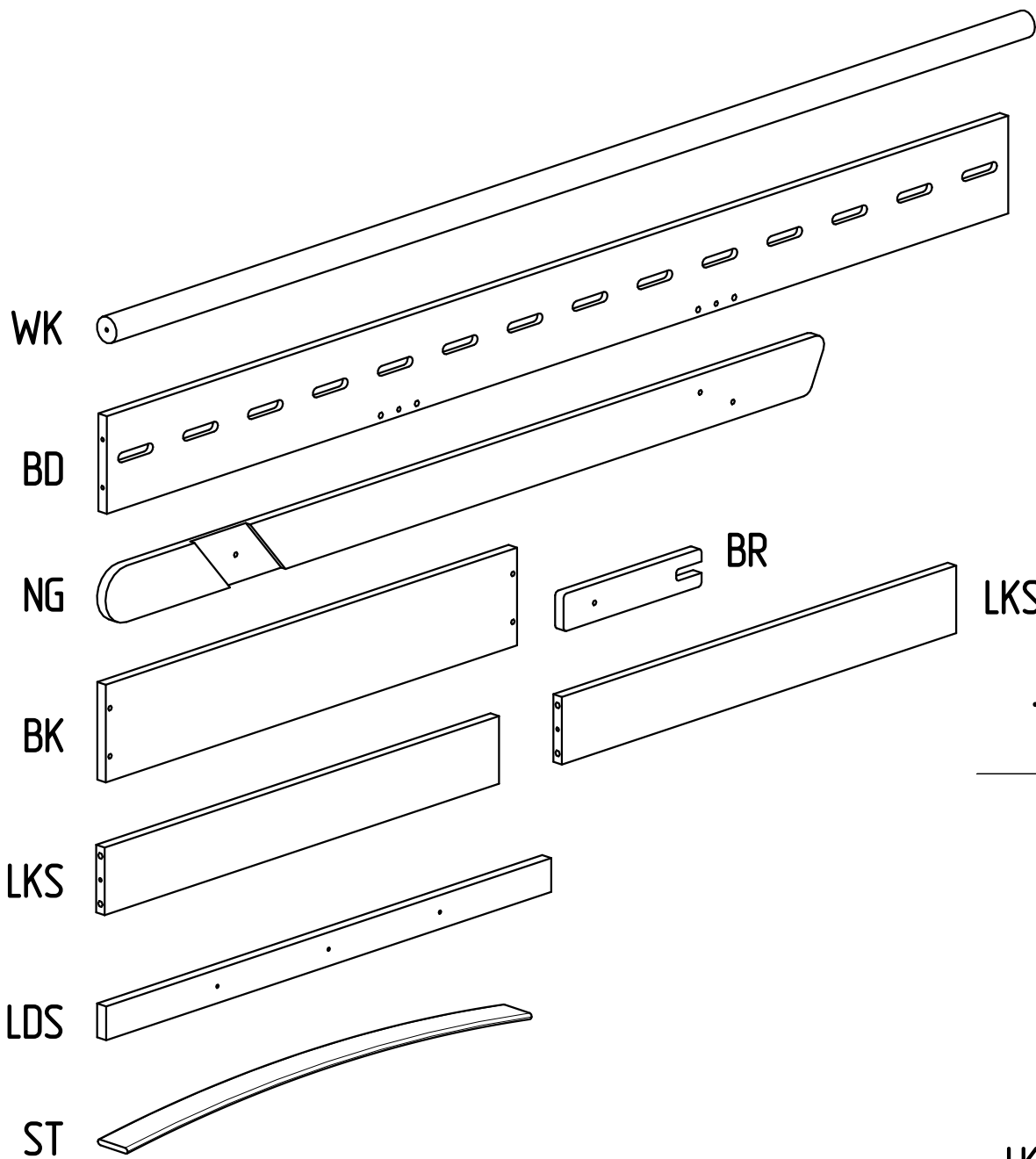


Do not hang on structural elements

Design and execution in accordance with the standard

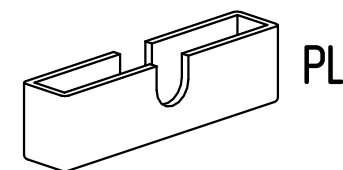
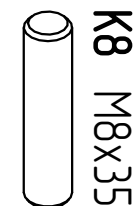
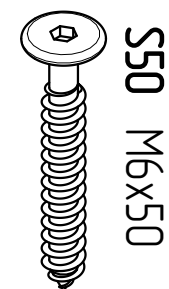
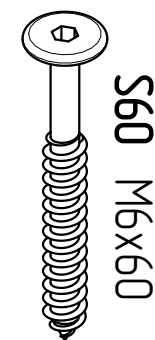
PN-EN 747-1+A1:2015-08

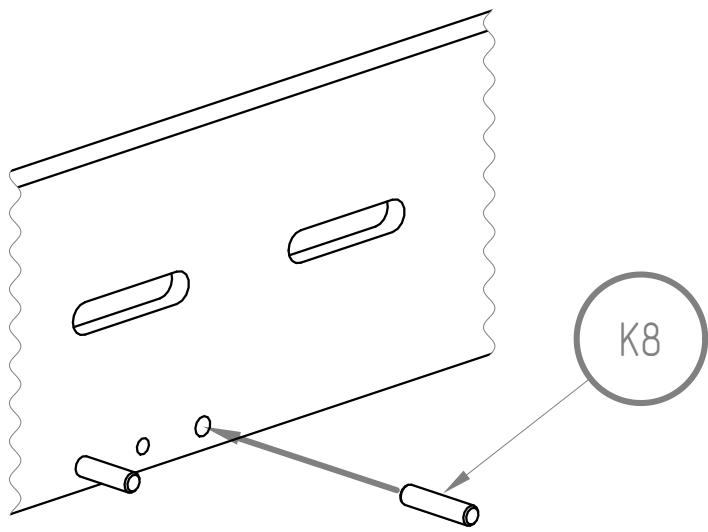
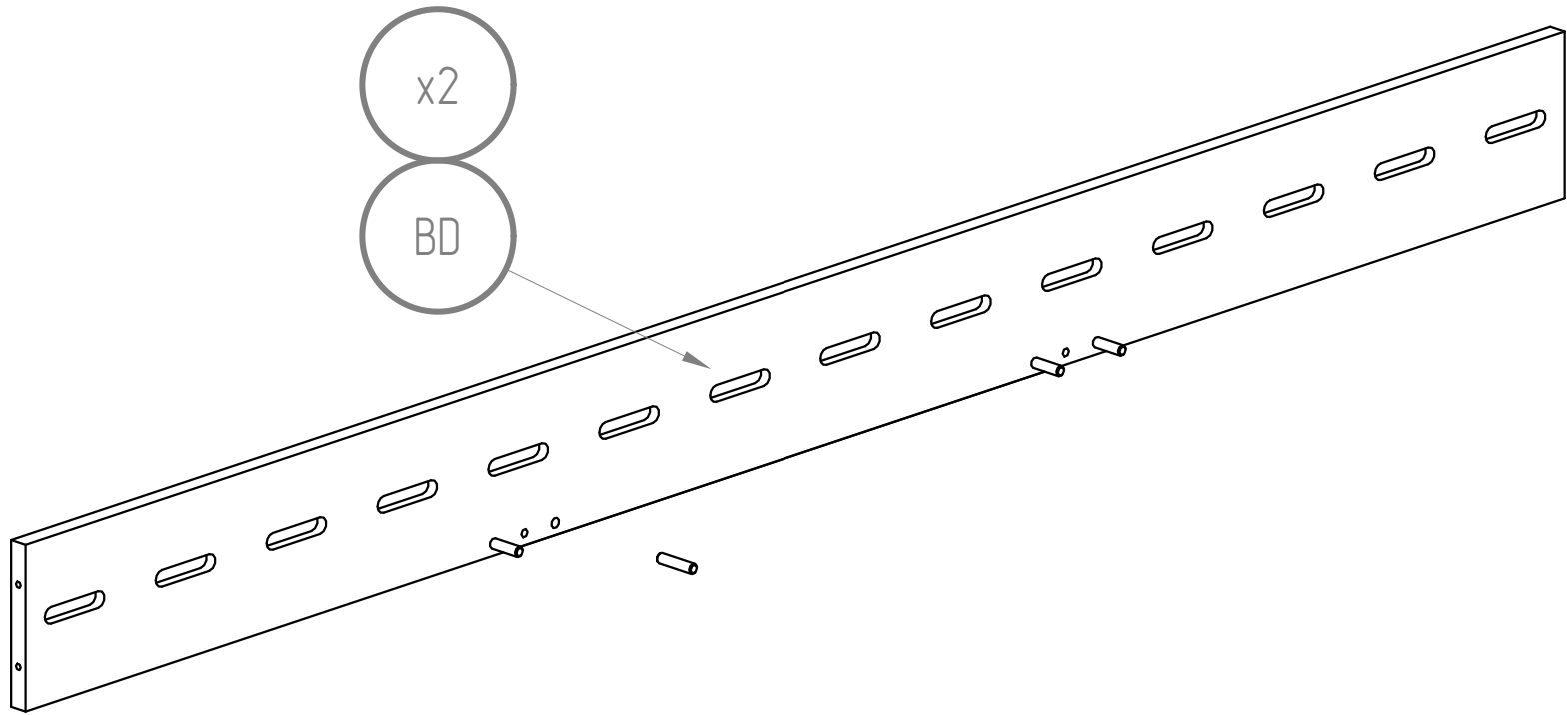
Wooden parts should be cleaned with a dry cloth and ordinary  
mild detergents for the care and cleaning of wooden parts

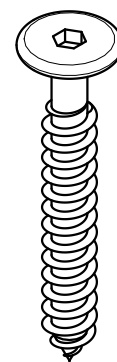
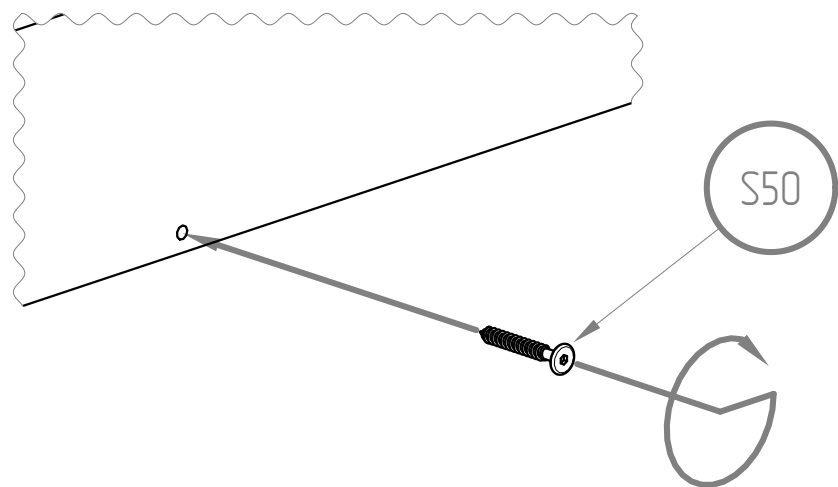
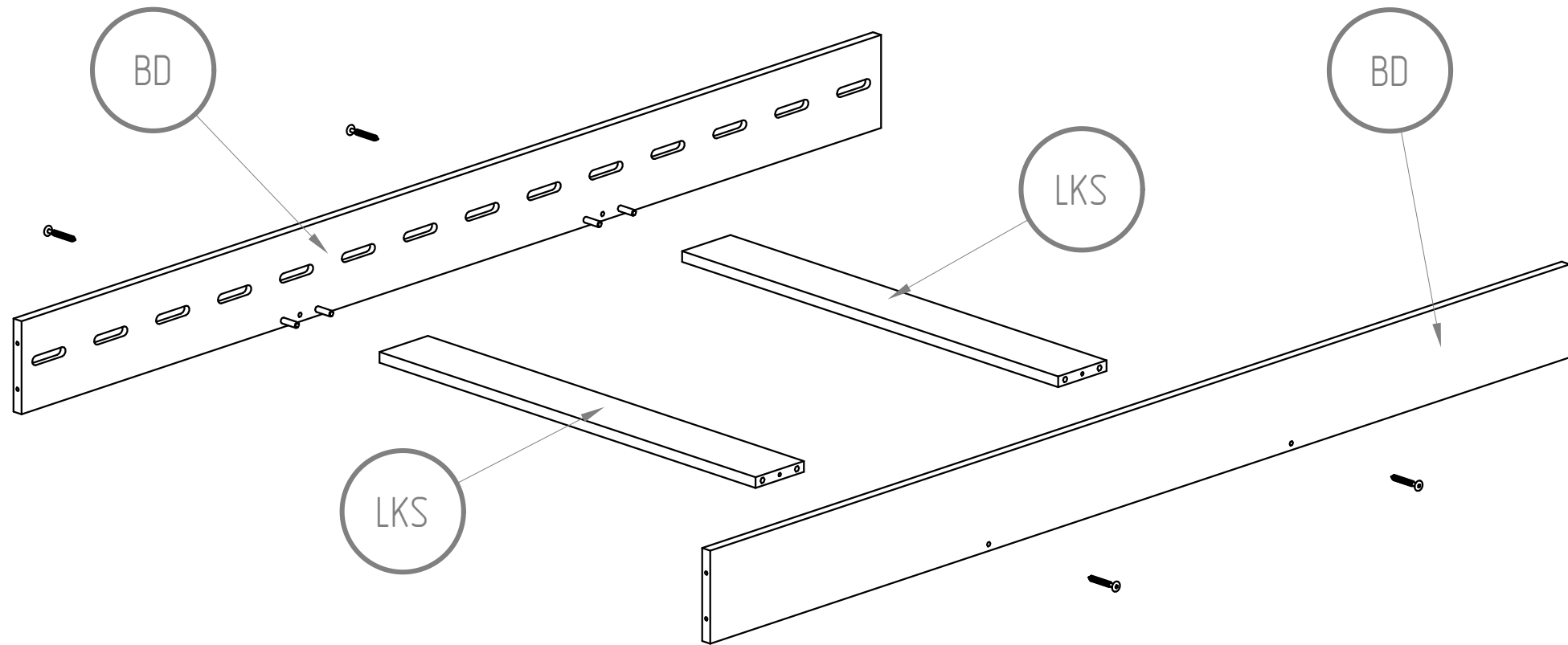


TIPI	
WK	x1
BD	x2
NG	x4
BK	x2
BR	x2
LKS	x2
LKS BR	x1
LDS	x4
ST	x12-16

SCREWS	
S60	x8
S50	x8
K8	x12
W25	x12
PL	x24-32

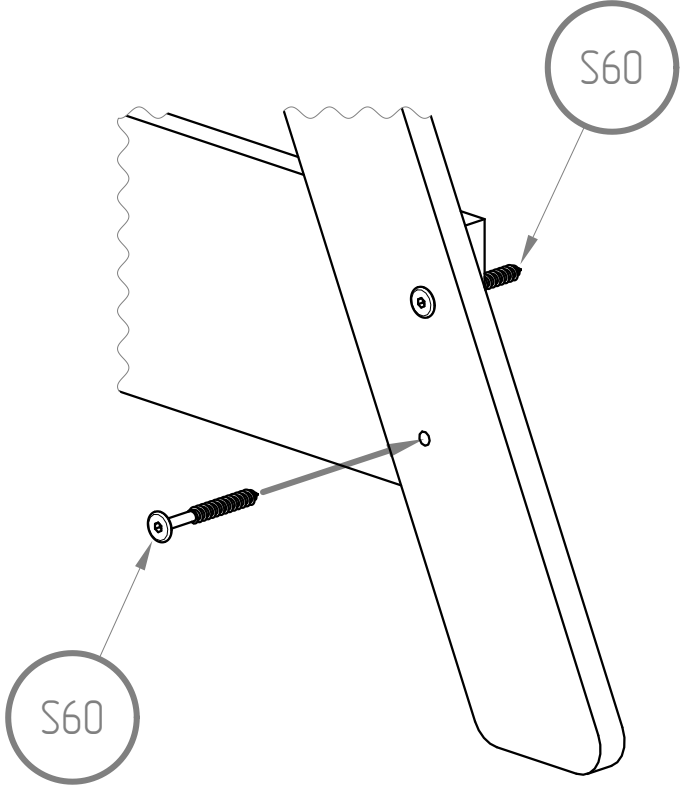
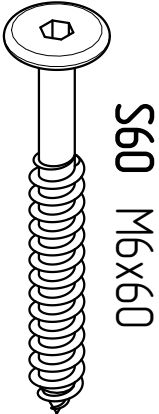
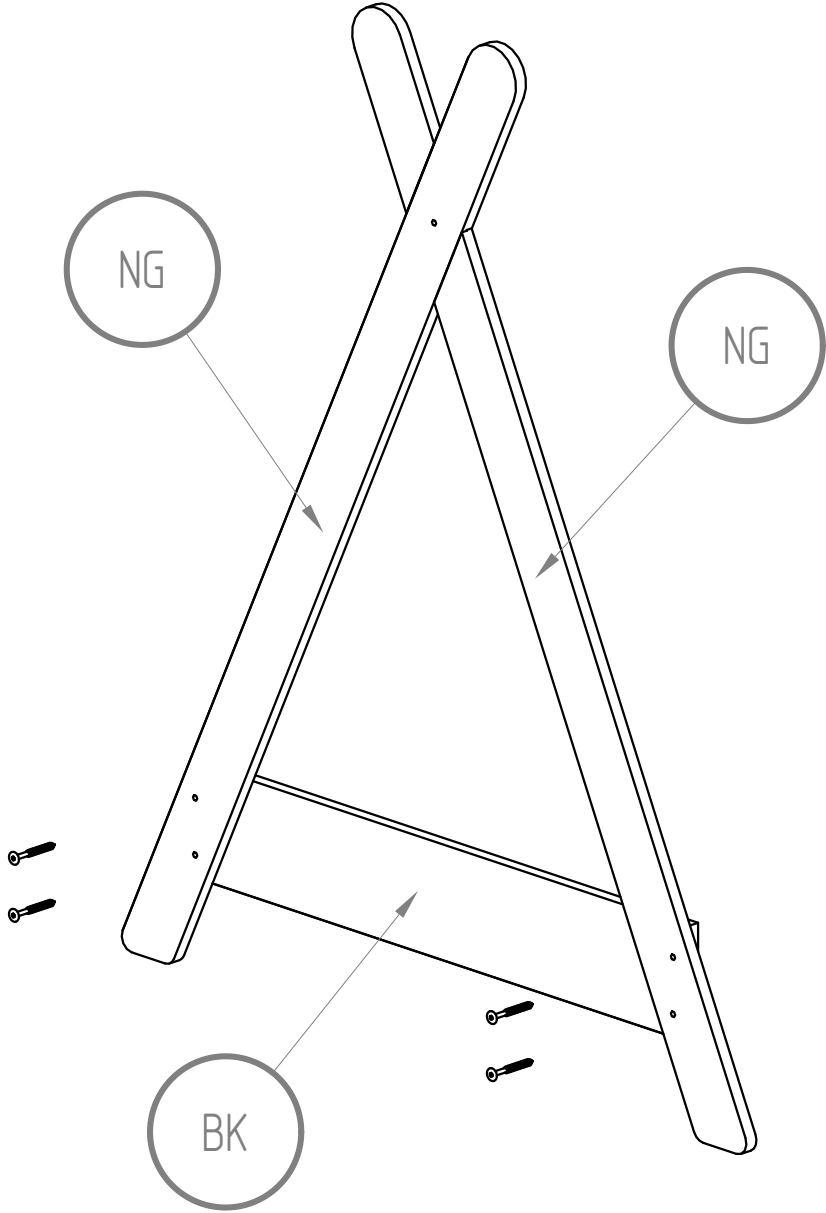




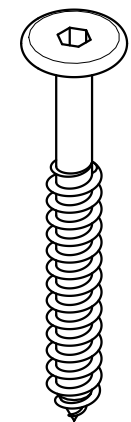
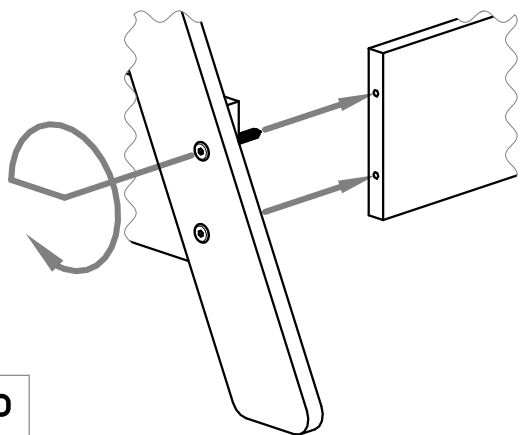


S50 M6x50

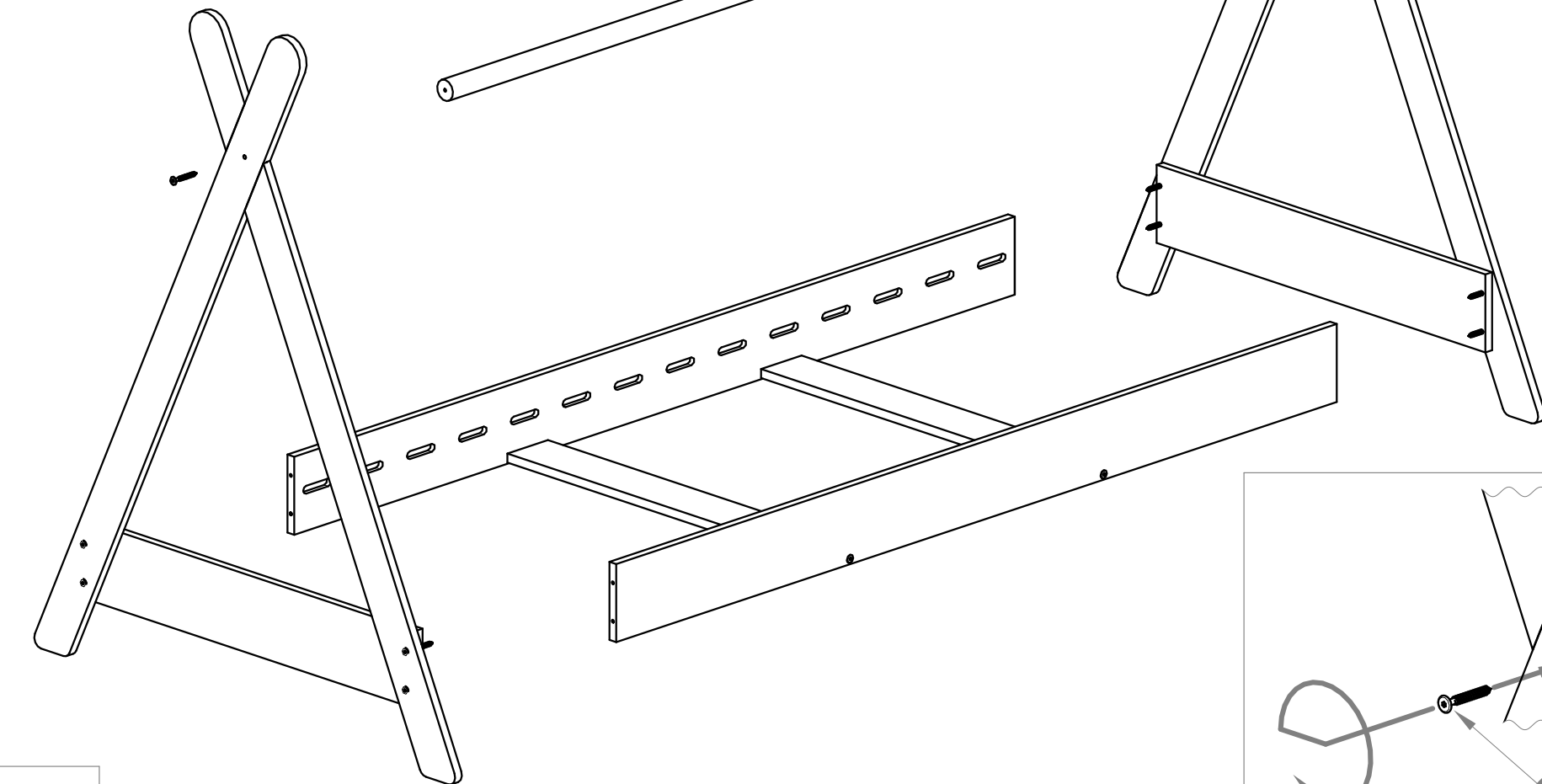
DO THIS ASSEMBLY TWICE



1 STEP

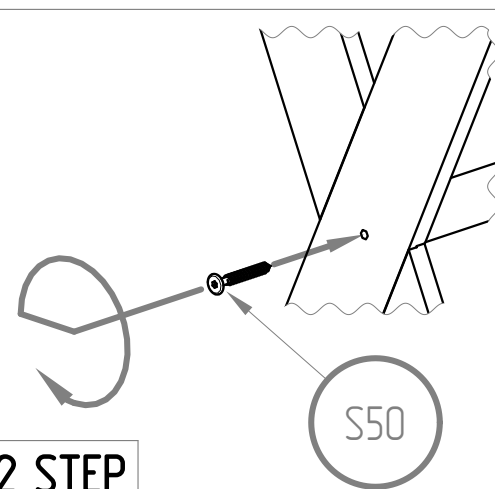


S60 M6x50

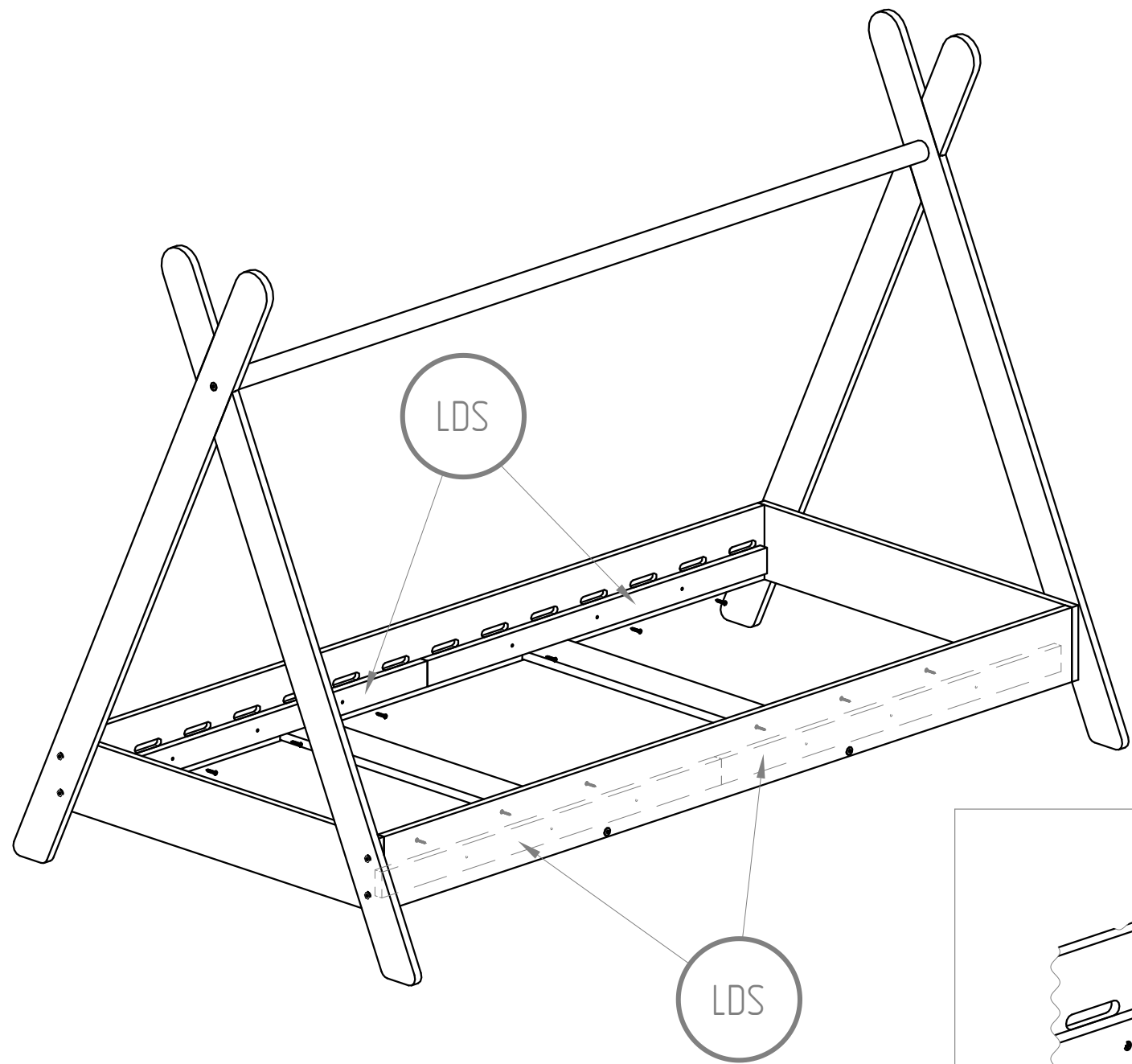


5

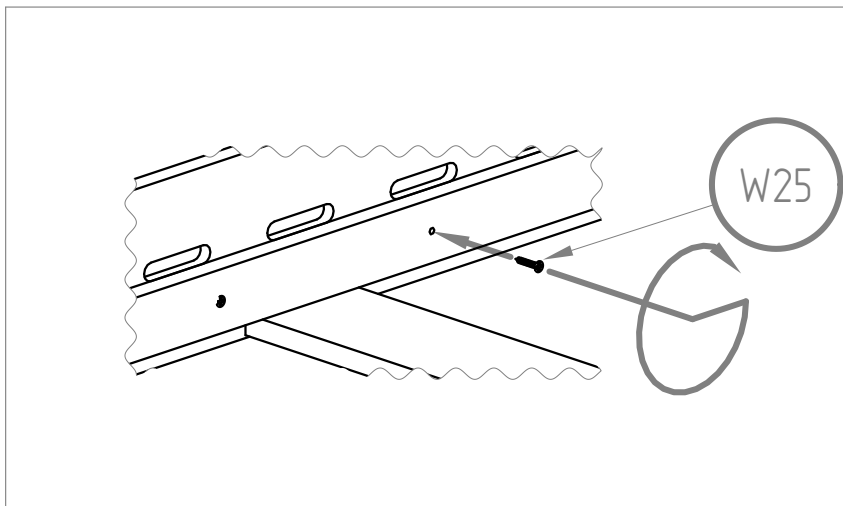
2 STEP



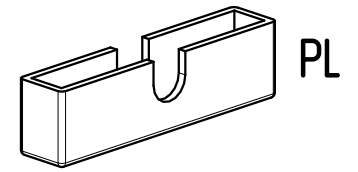
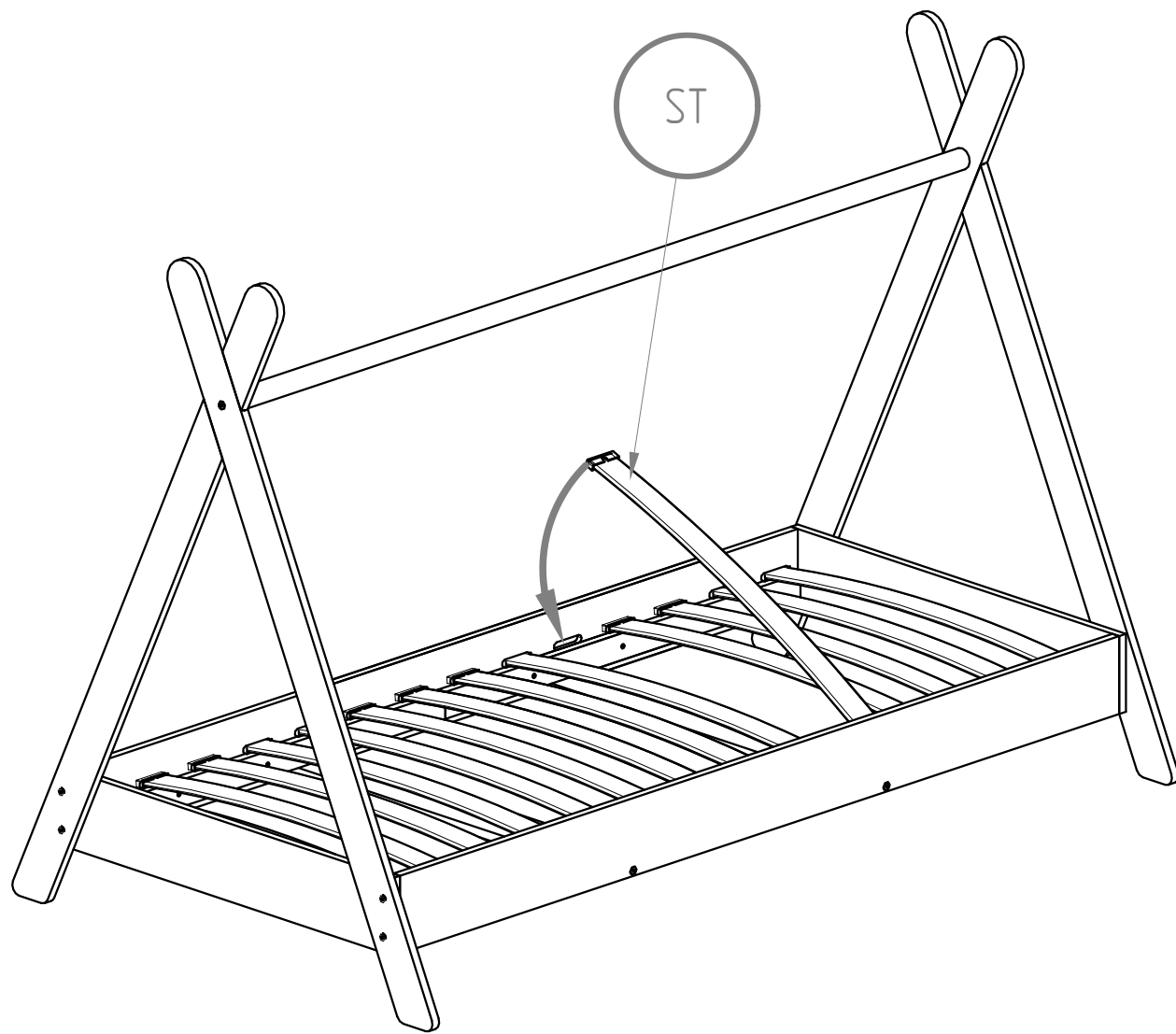
S50



W25 M4x25

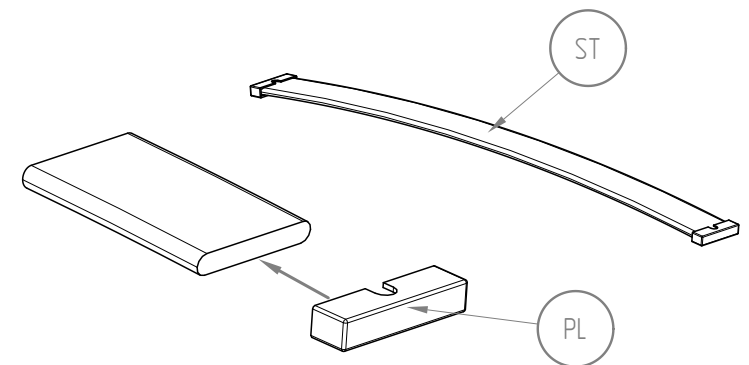






### Important!

Install the plastic caps before assembling the ST spring slats to the bed frame.



# BARRIER

