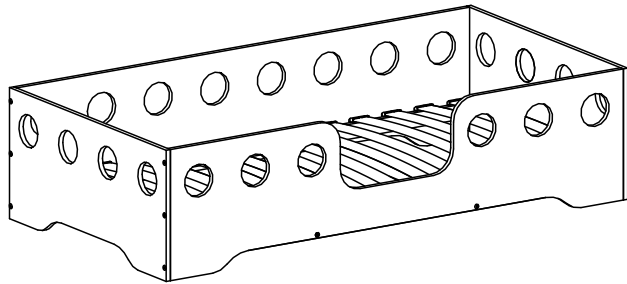
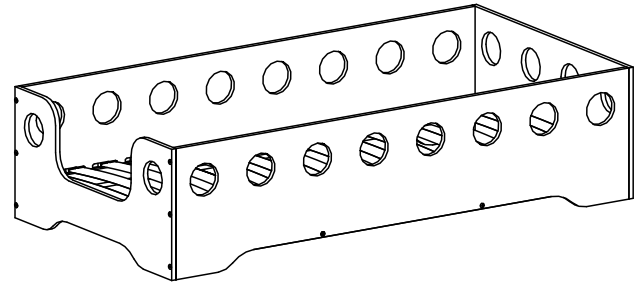


Assembly instruction for models

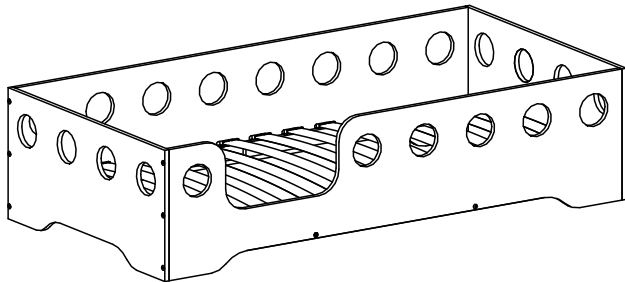
TILA 4



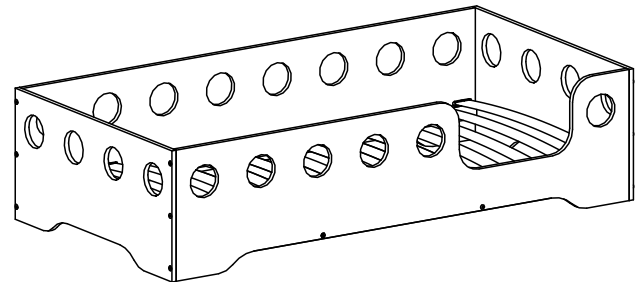
TILA 4B



TILA 4L



TILA 4P



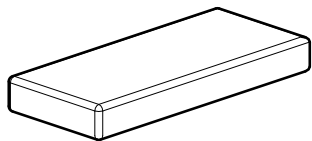


Beds are for sleeping,
not for jumping

Prohibit more than
one person on bed



IMPORTANT

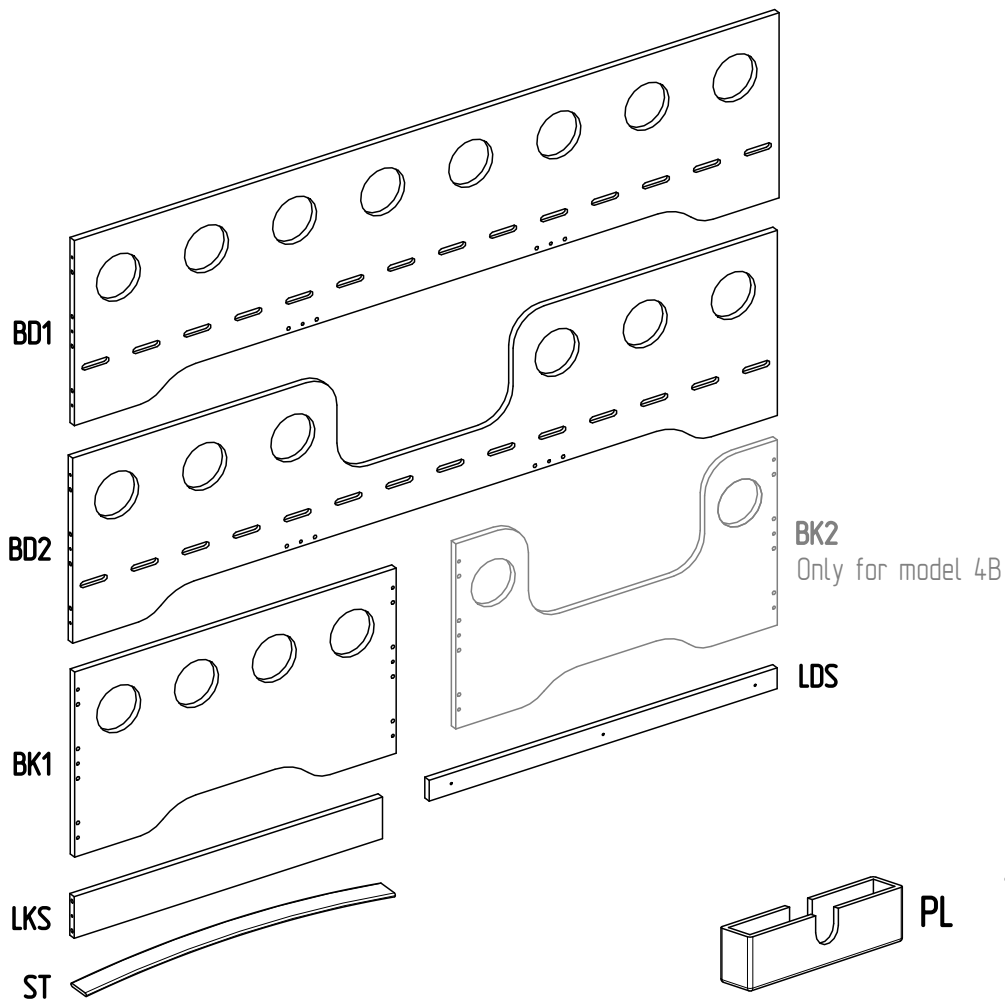


Use only mattresses
with thickness of 8–12 cm



Bed parts have 2 years
warranty in normal use

Wooden parts should be cleaned with a dry cloth and ordinary
mild detergents for the care and cleaning of wooden parts

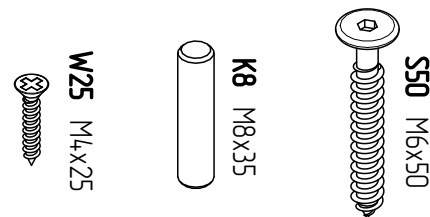


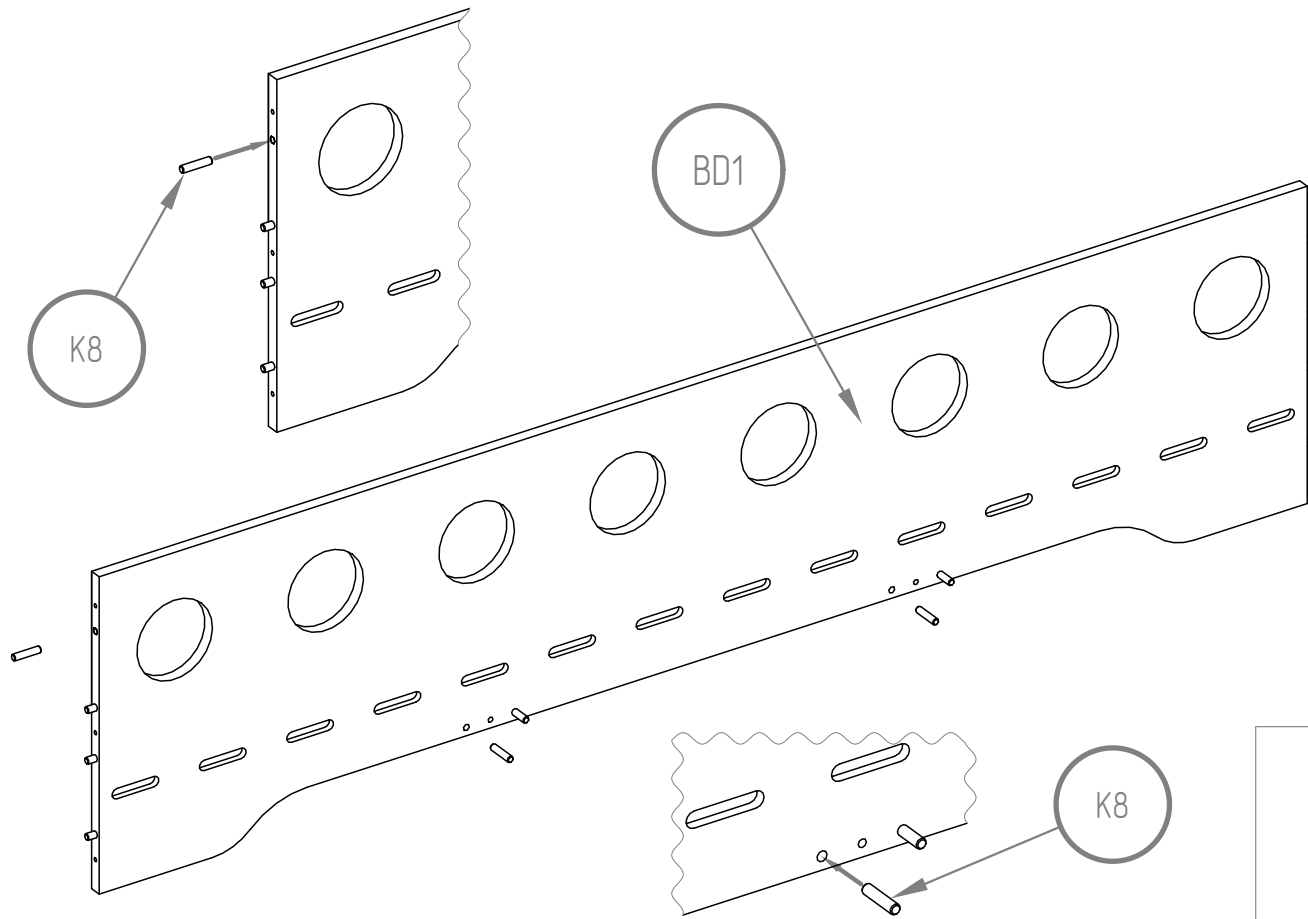
ELEMENTS

BD1	x1 /x2*	
BD2	x1	
BK1	x1* /x2	
Only for model 4B*	BK2	x1*
LDS	x4	
LKS	x2	
ST	x12-16	

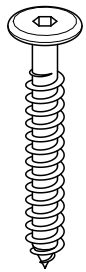
SCREWS

S50	x16
K8	x24
W25	x12
PL	x24-32

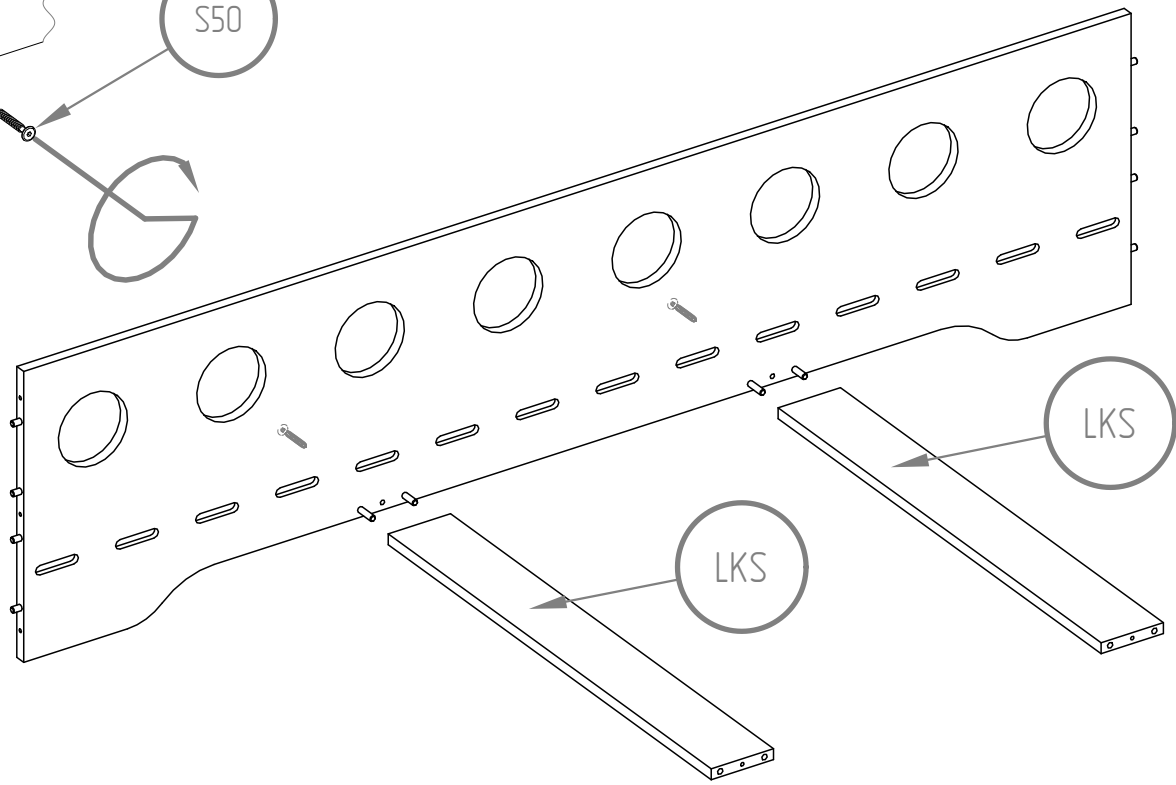
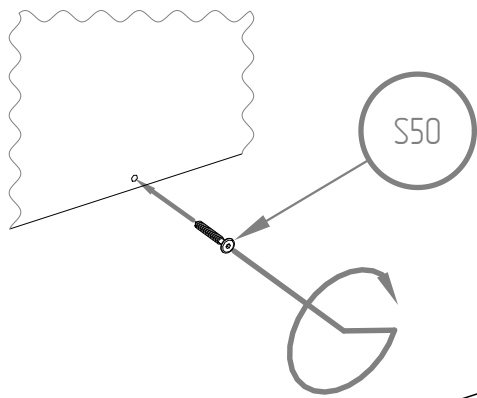




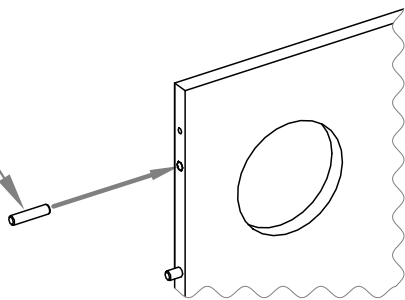
K8
M8x35



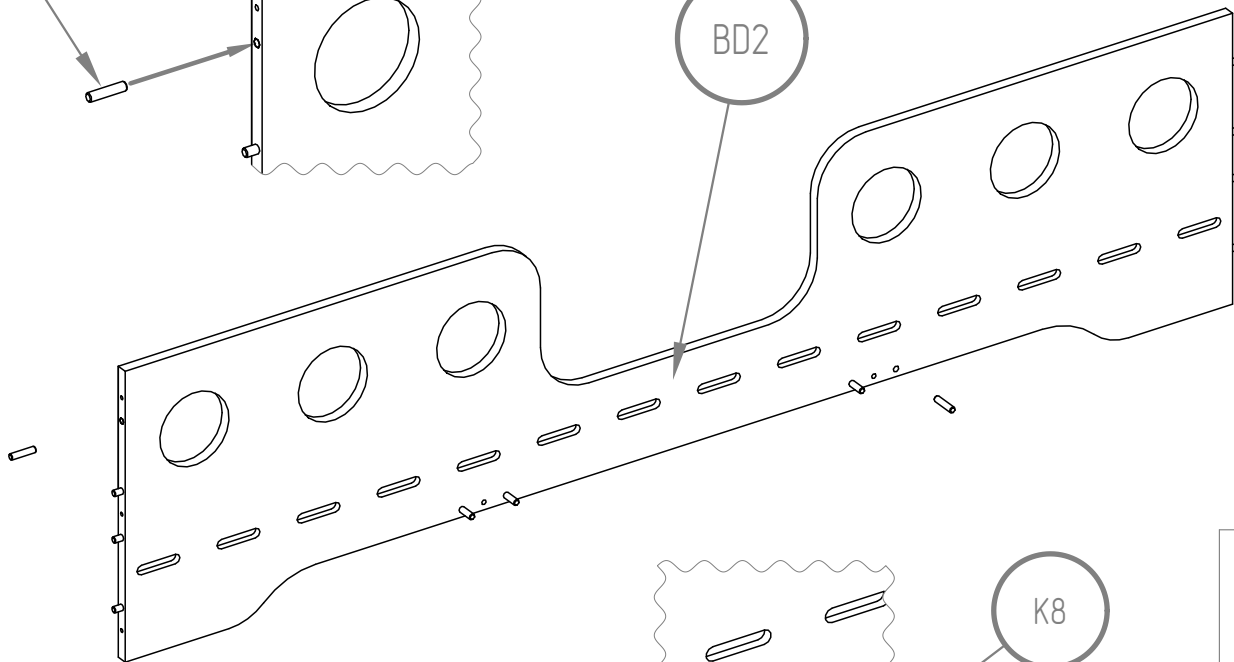
S50
M6x50



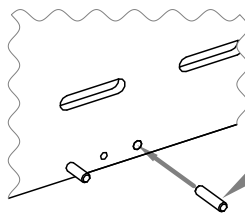
K8



BD2



K8



K8 M8x35

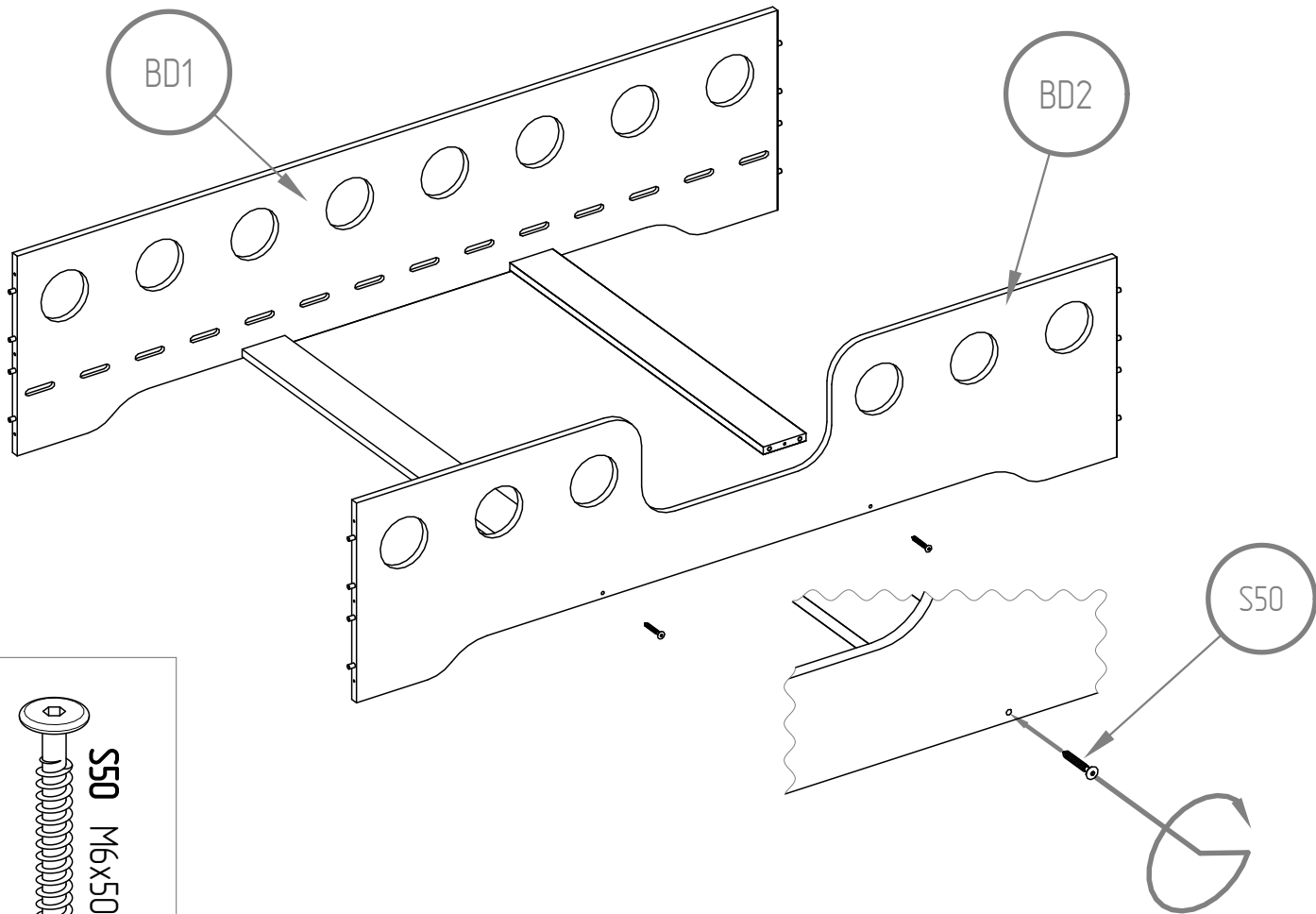
BD1

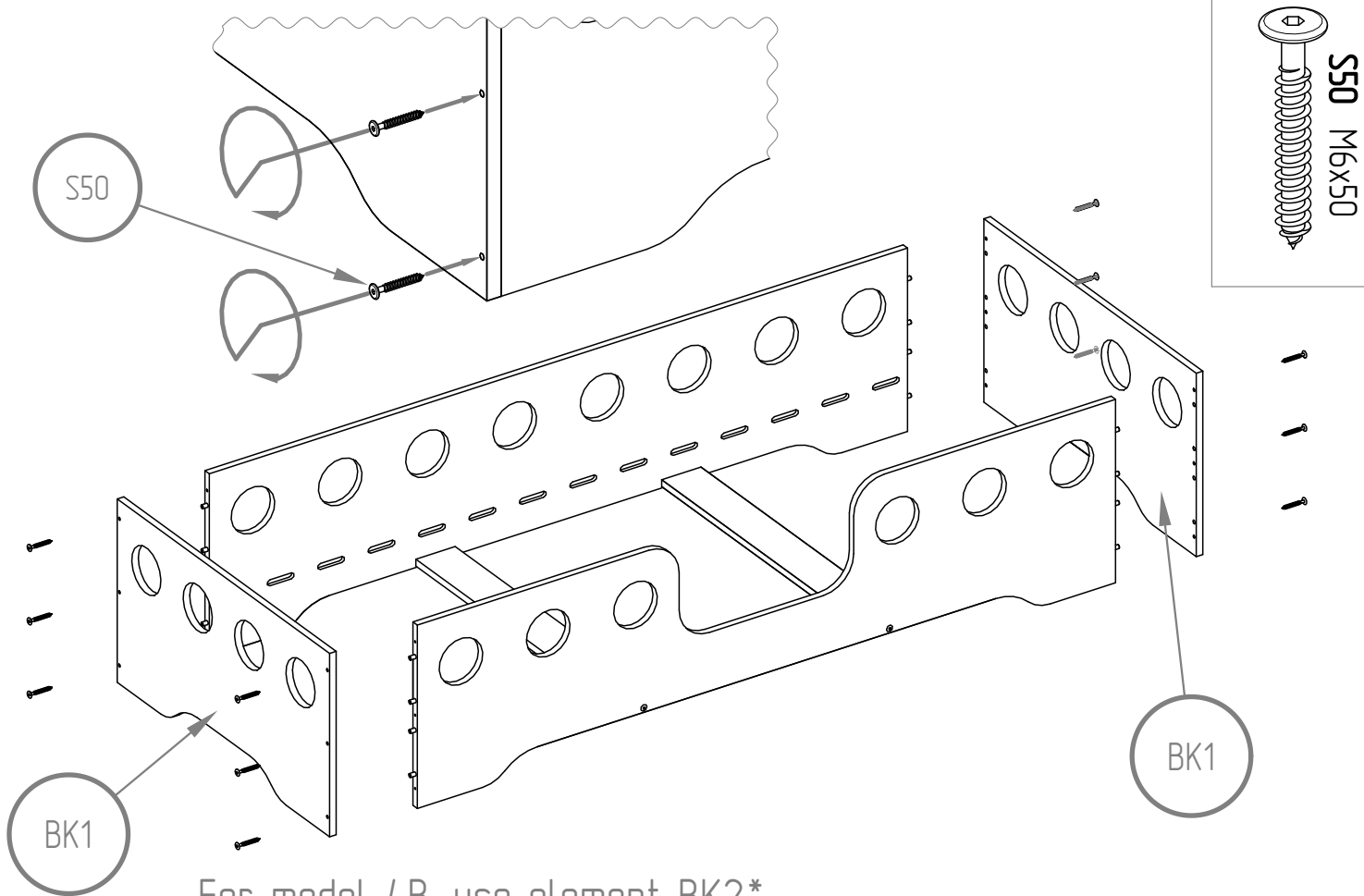
BD2

S50



S50 M6x50





S50 M6x50

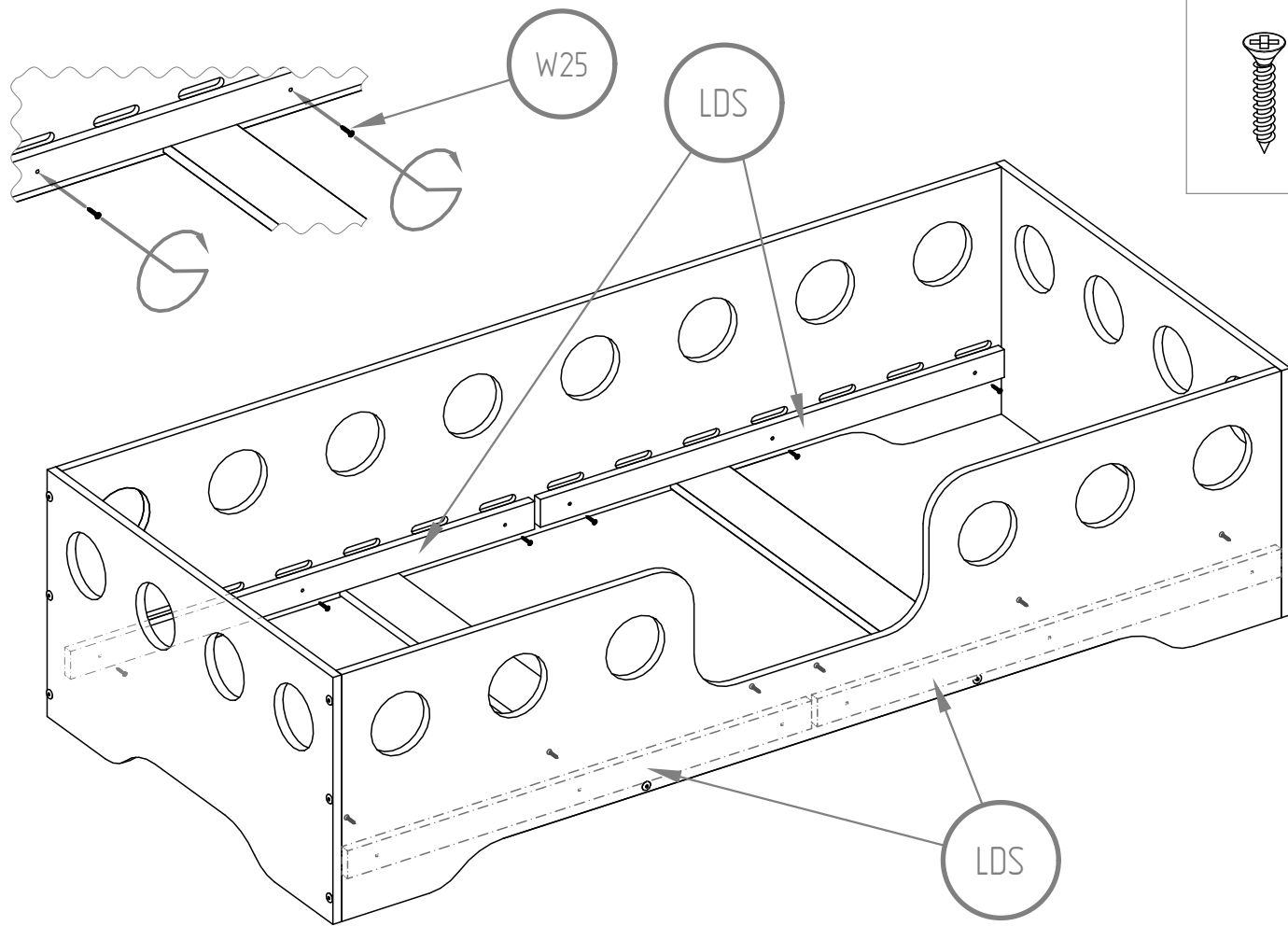
BK1

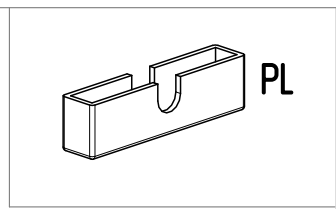
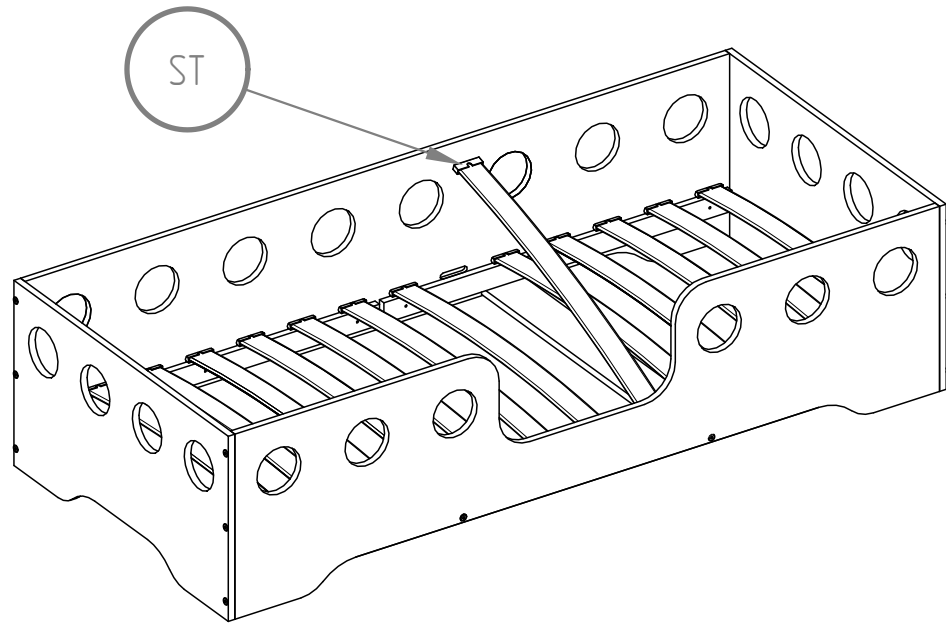
BK1

For model 4B, use element BK2*



W25 M4x25





Important!

Install the plastic caps before assembling the ST spring slats to the bed frame.

