

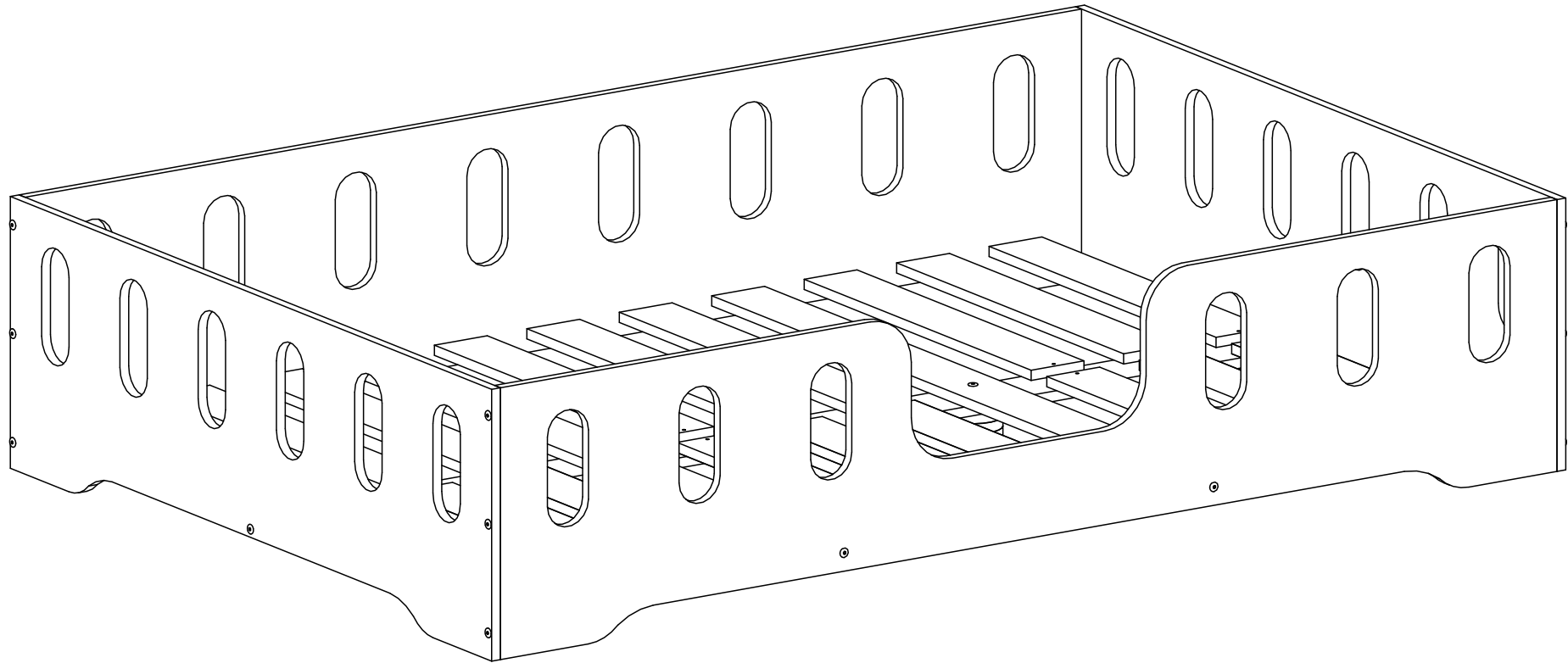
Assembly instruction for models

TILA 2 XL

TILA 2B XL

TILA 2L XL

TILA 2P XL



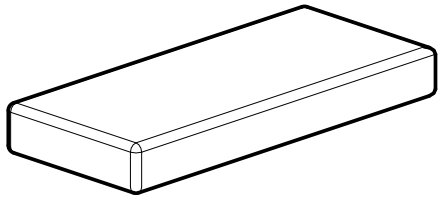


Beds are for sleeping,
not for jumping

Prohibit more than
one person on bed



IMPORTANT



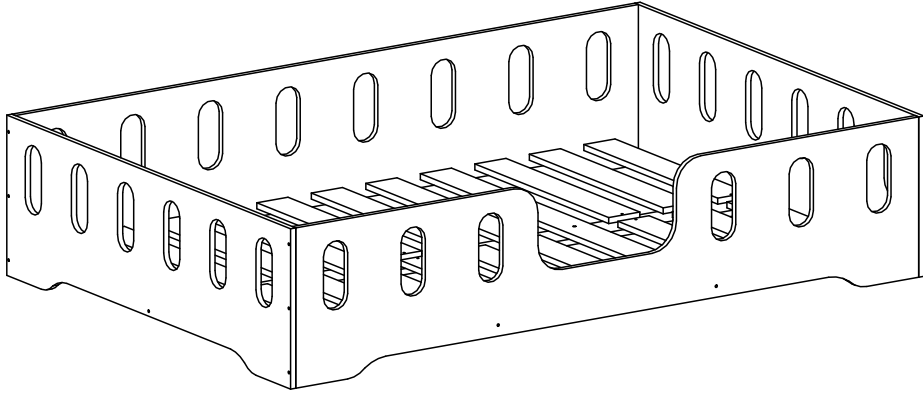
Use only mattresses
with thickness of 12–18 cm



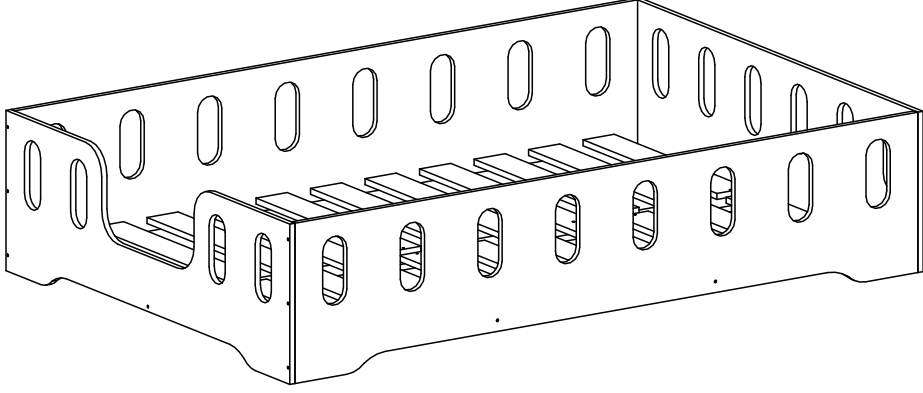
Bed parts have 2 years
warranty in normal use

Wooden parts should be cleaned with a dry cloth and ordinary
mild detergents for the care and cleaning of wooden parts

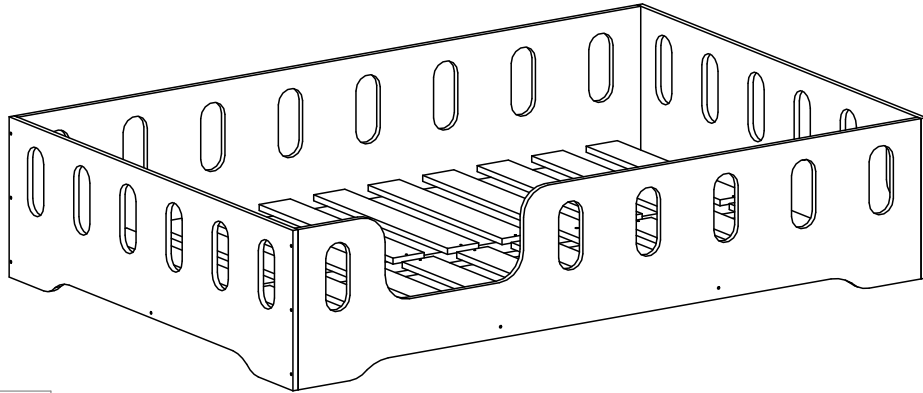
TILA 2 XL



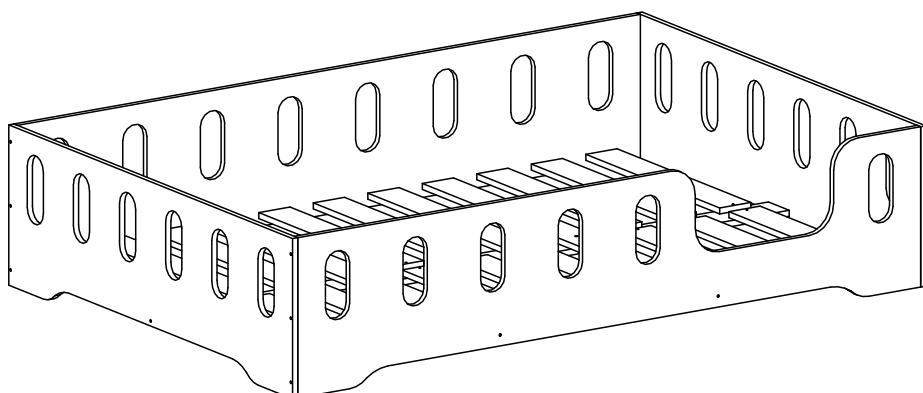
TILA 2B XL

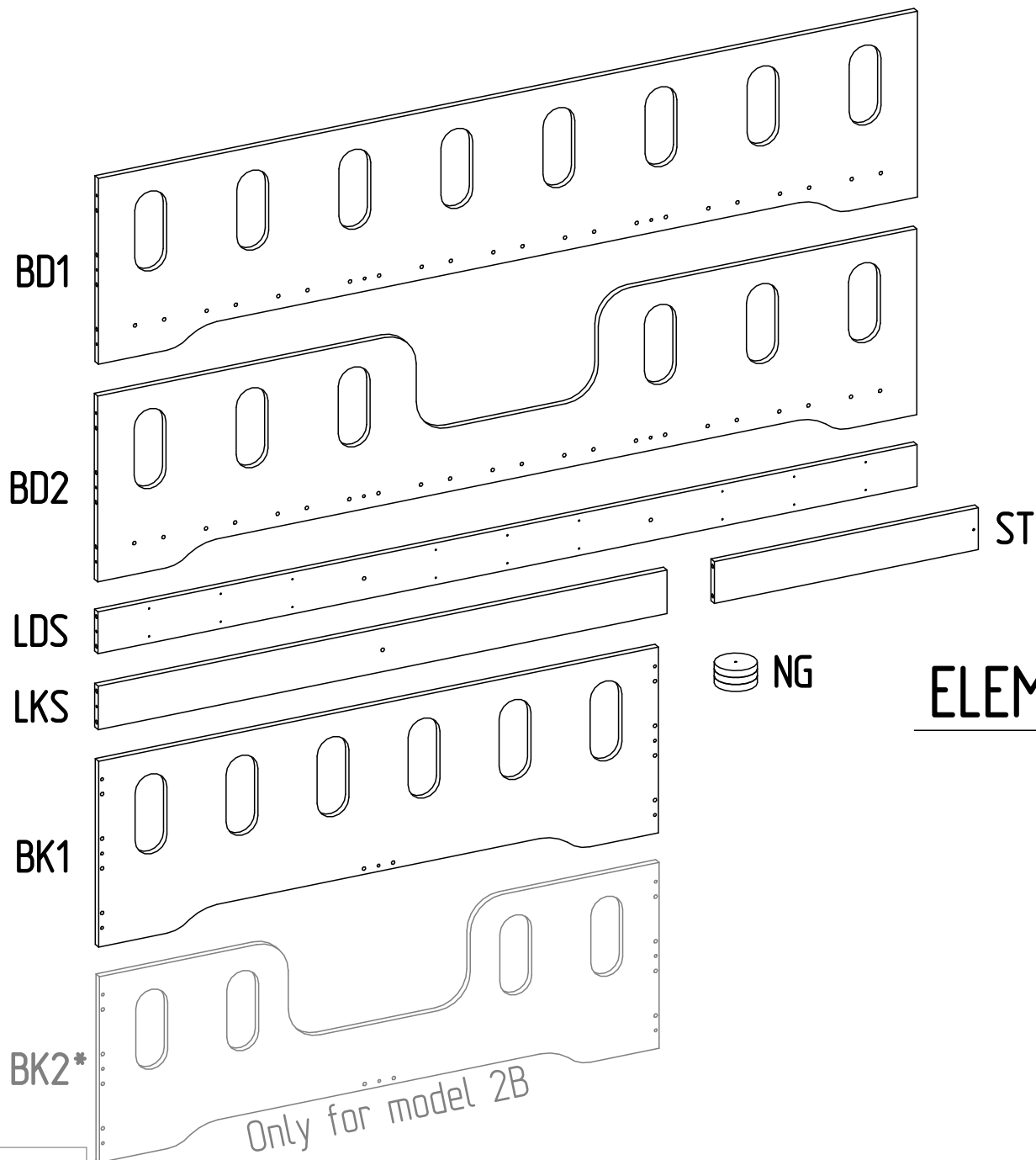


TILA 2L XL



TILA 2P XL





BD1

BD2

LDS

LKS

BK1

BK2*

ST

NG

Only for model 2B

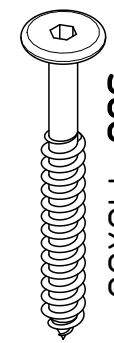
ELEMENTS

BD1	x1/x2*
BD2	x1
LDS	x1
LKS	x2
BK1	x1*/x2
BK2	x1*
ST	x18
NG	x2

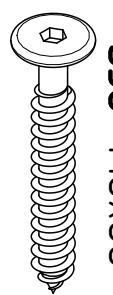
Only for model 2B*

SCREWS

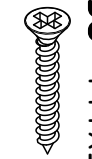
S60	x2
S50	x18
K8	x64
W30	x18



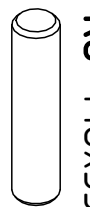
S60 M6x60



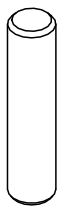
S50 M6x60



W30 M4x30

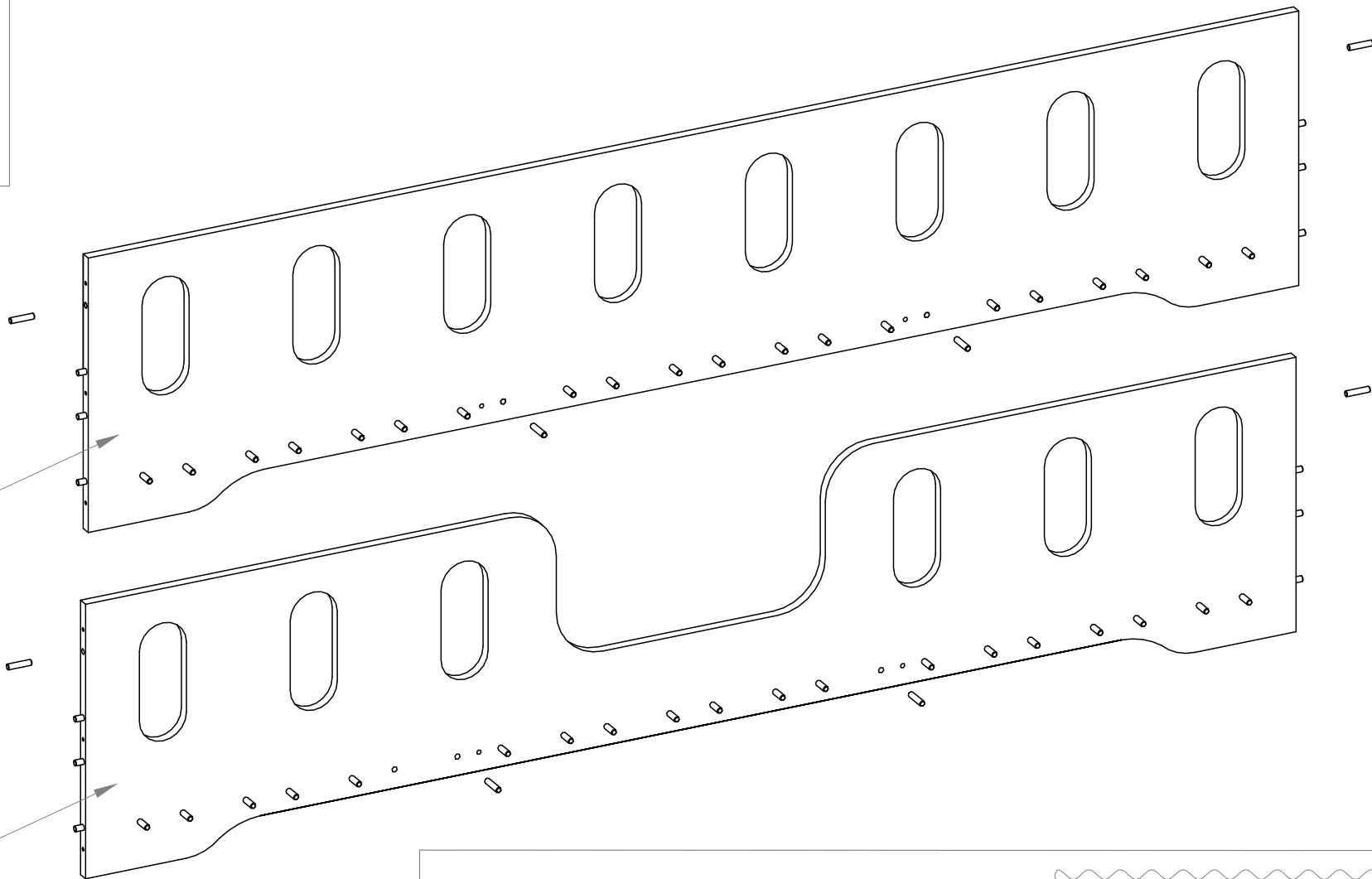


K8 M8x35



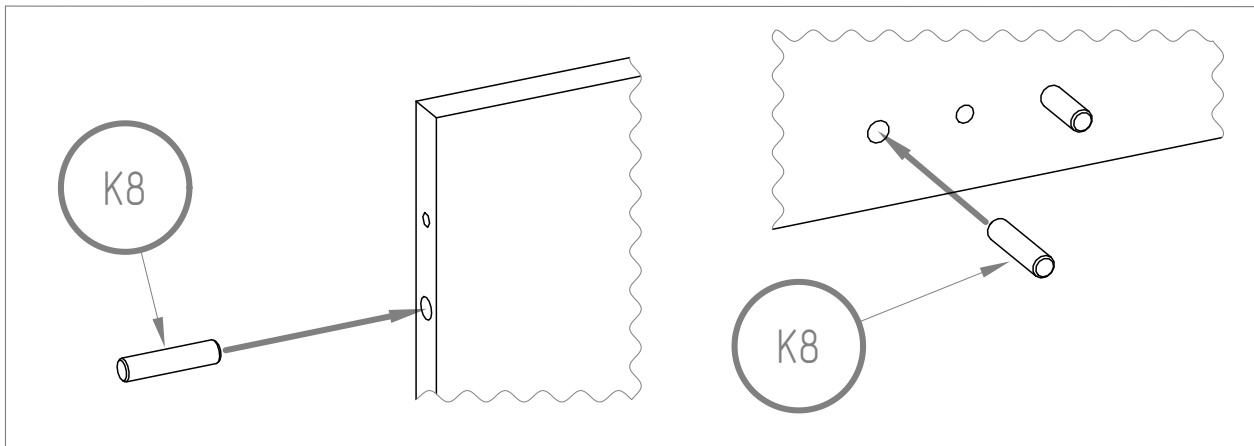
K8 M8x35

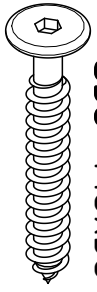
x60



BD1

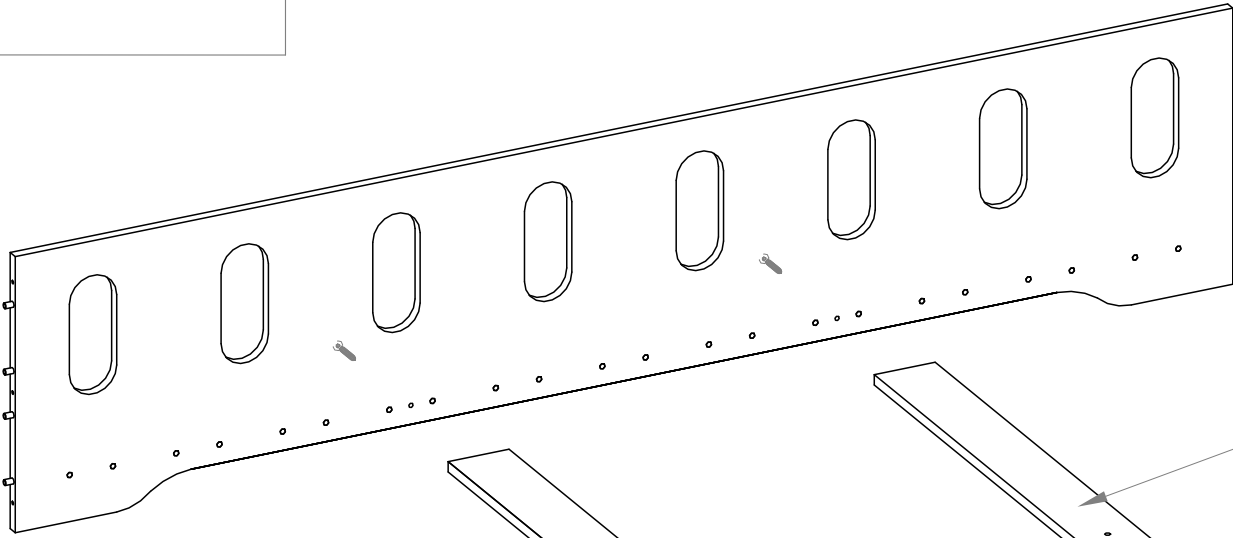
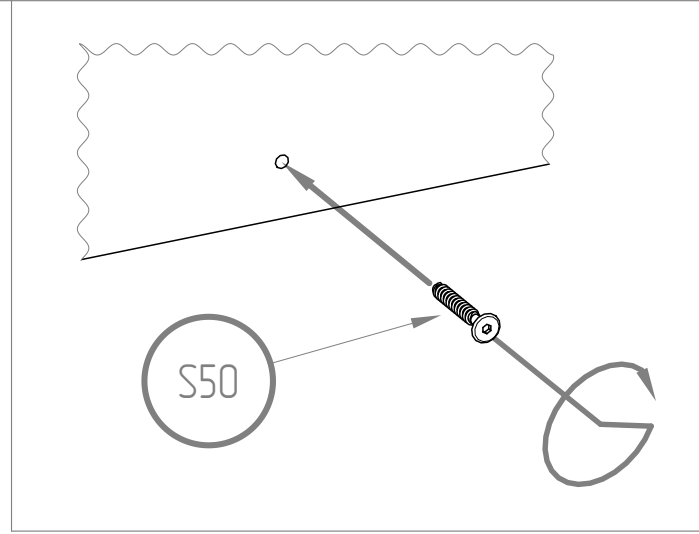
BD2





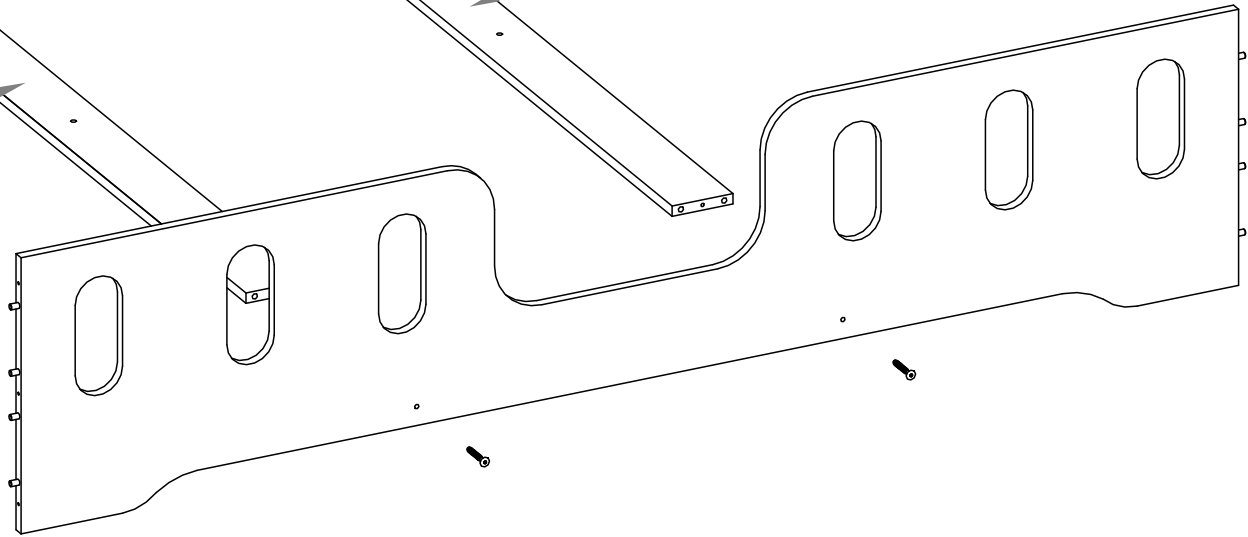
S50 M6x50

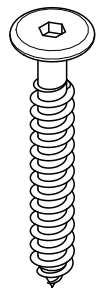
x4



LKS

LKS





S50 M6x50

x14



K8 M8x35

x4

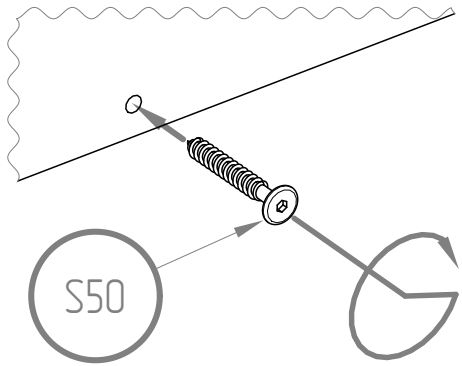
LDS

BK1

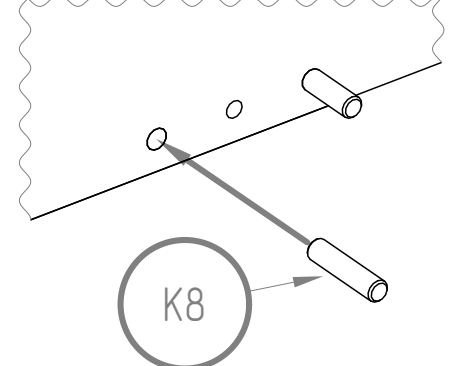
BK1

For model 2b, use element BK2*

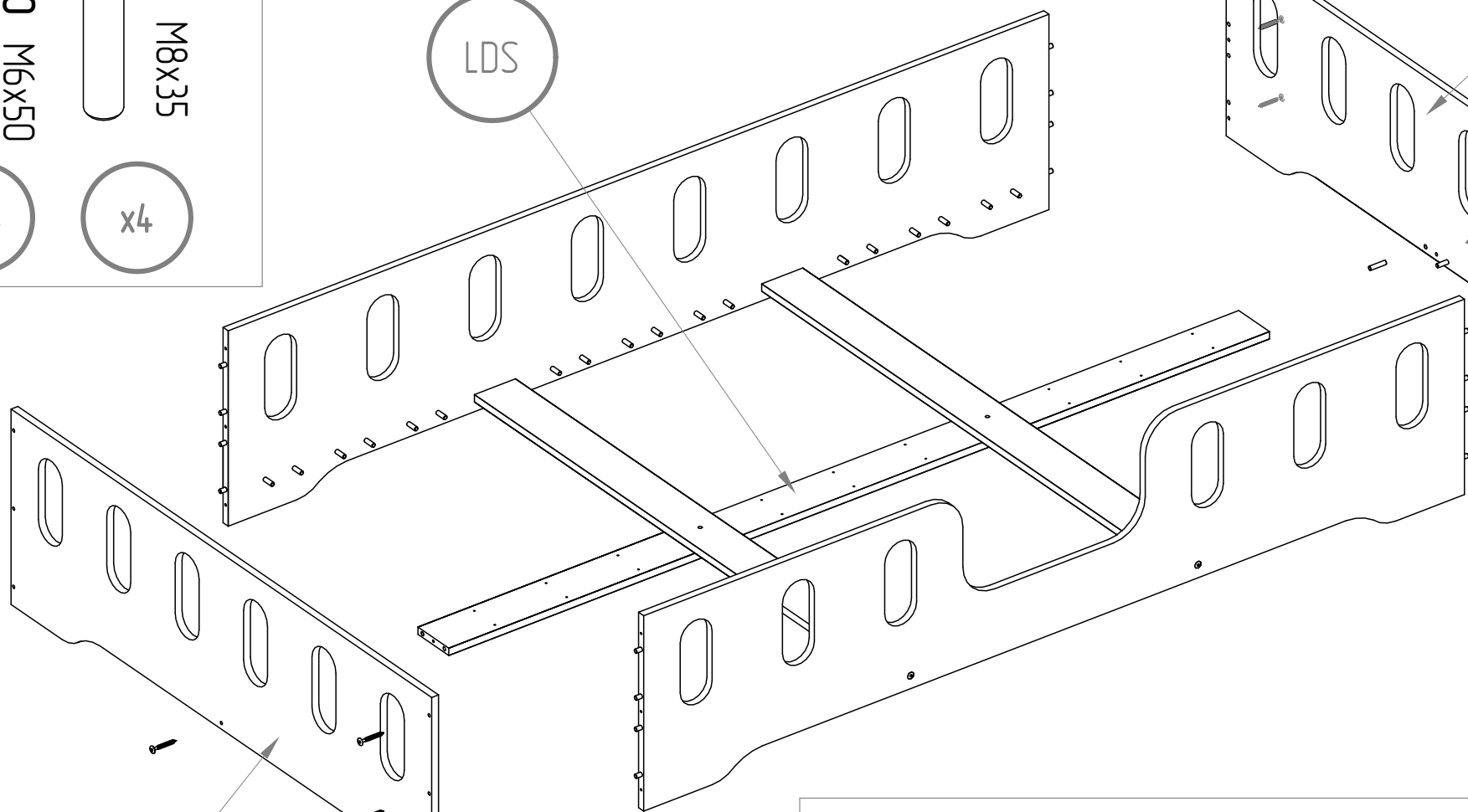
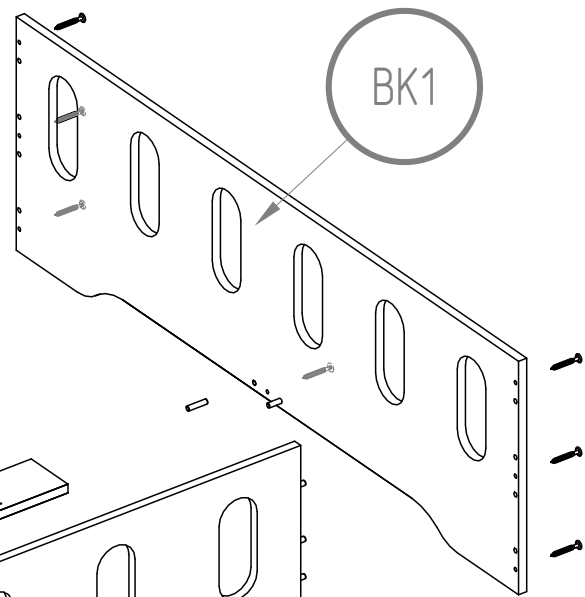
5



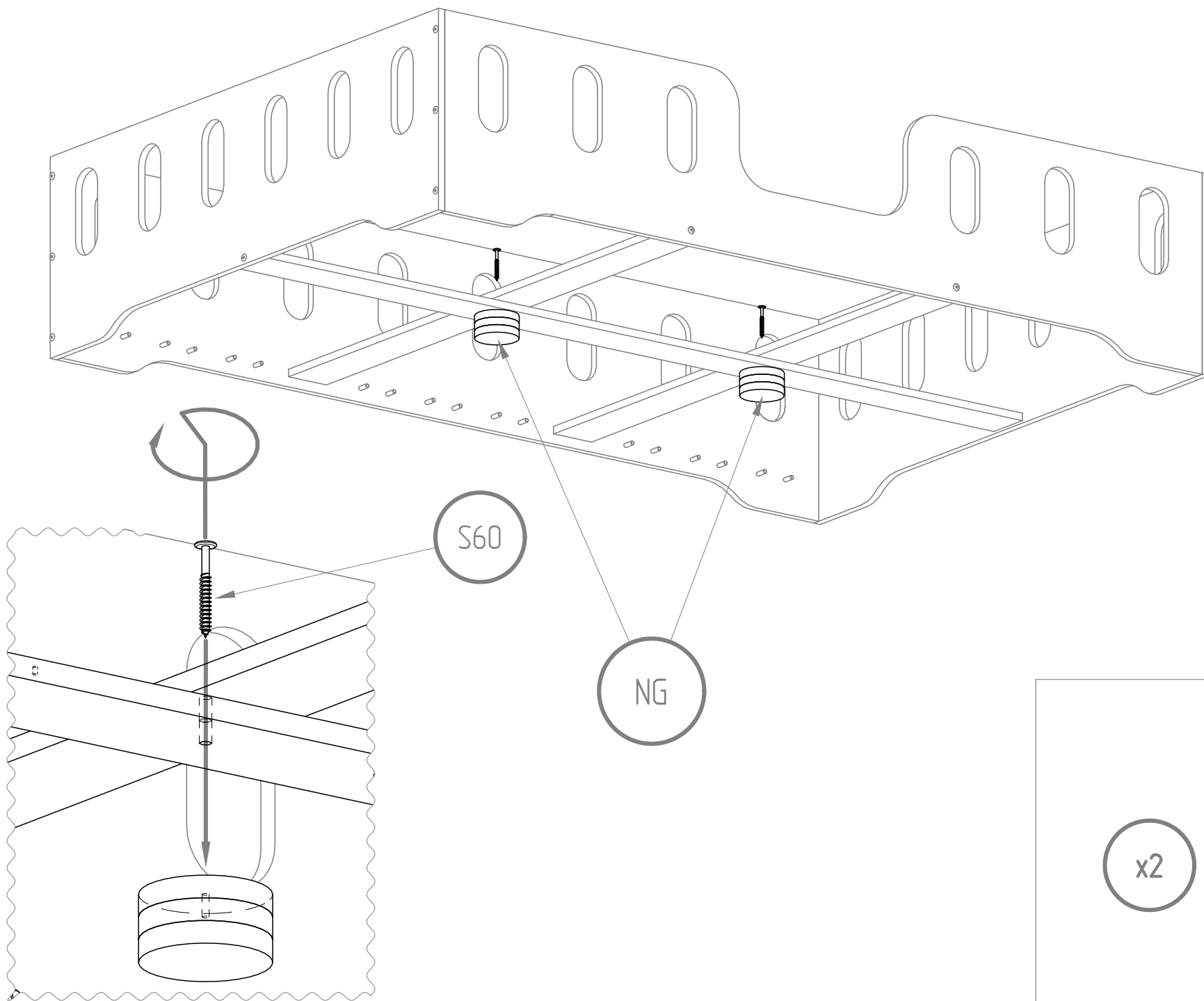
S50



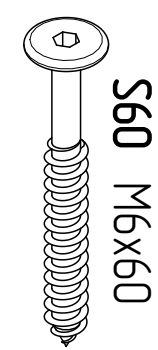
K8



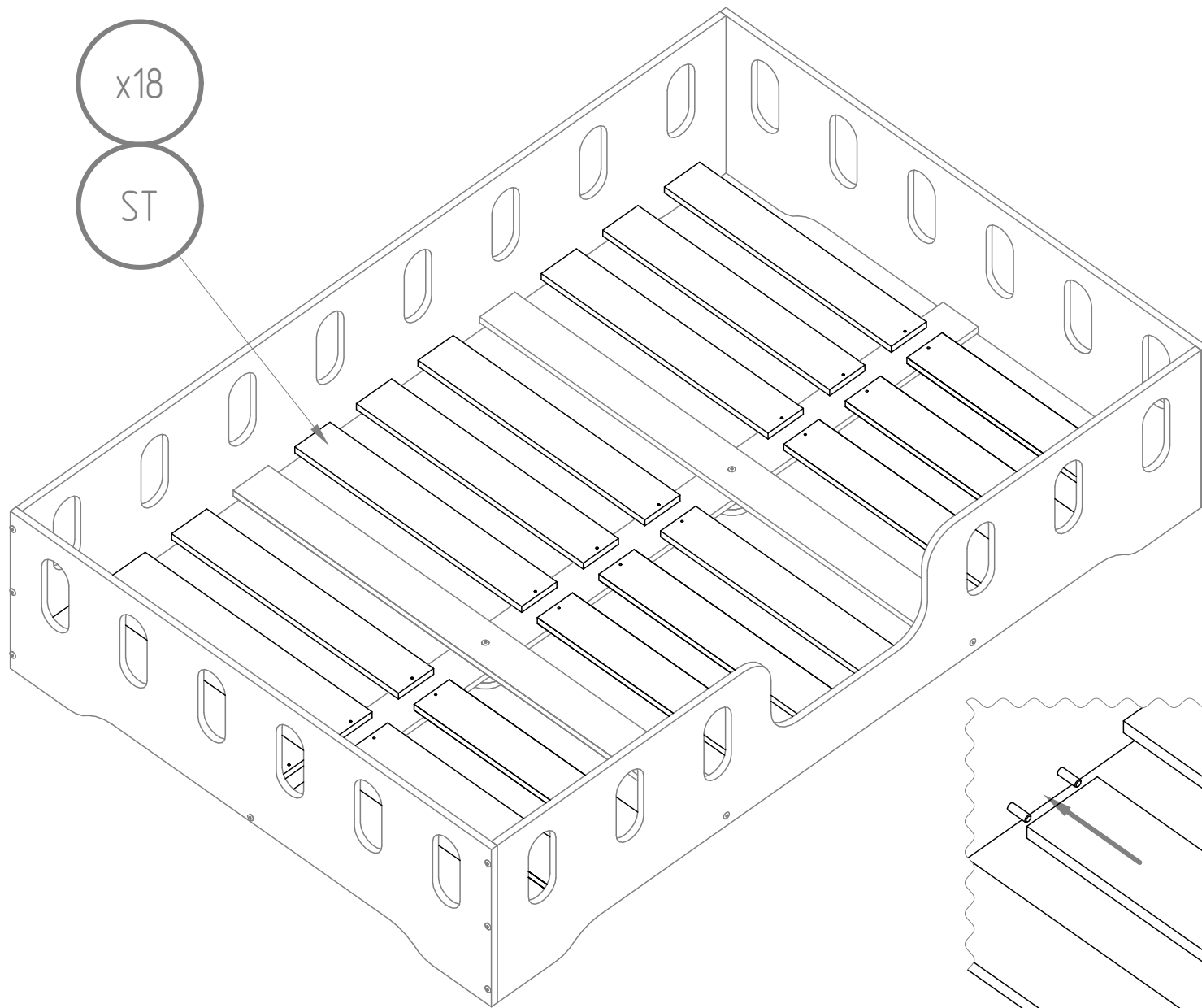
6



x2



S60 M6x60



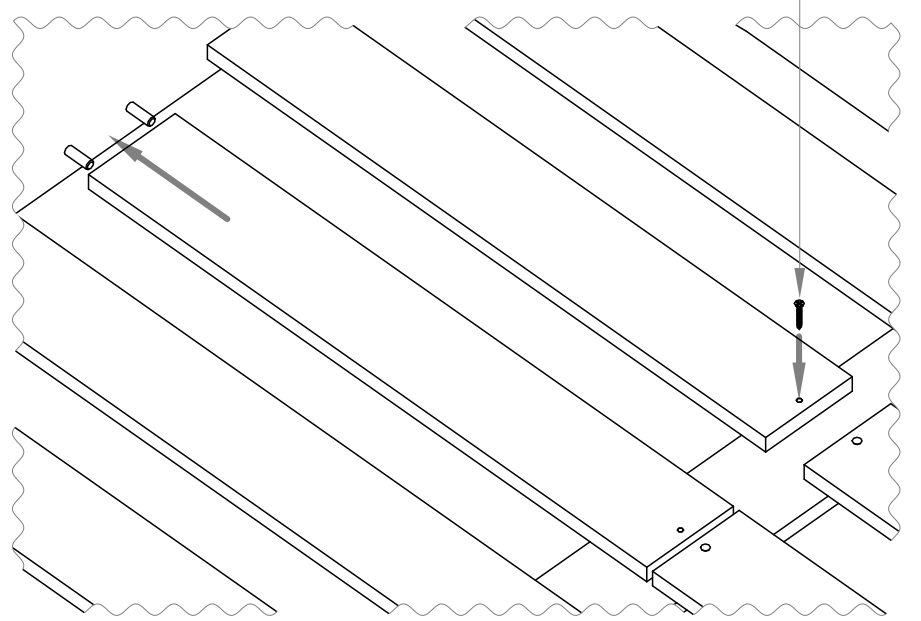
x18
ST

x18



W30 M4x30

W30



7