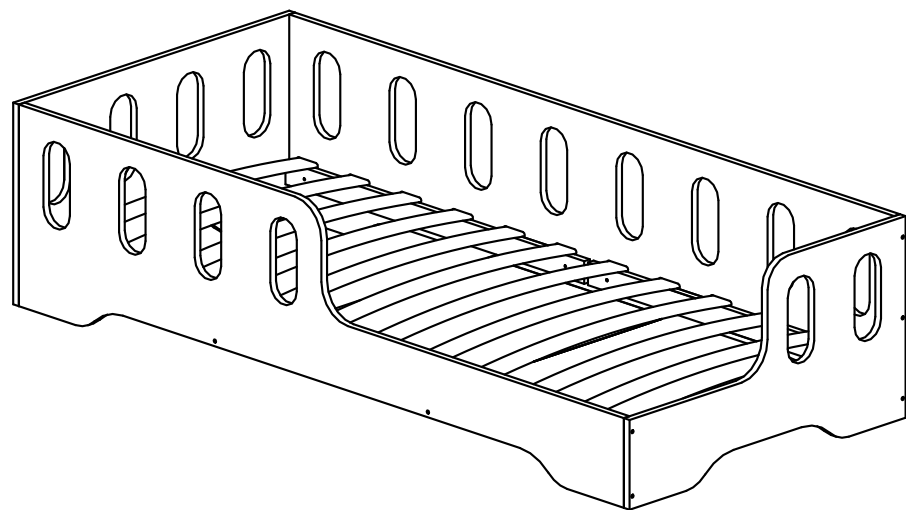
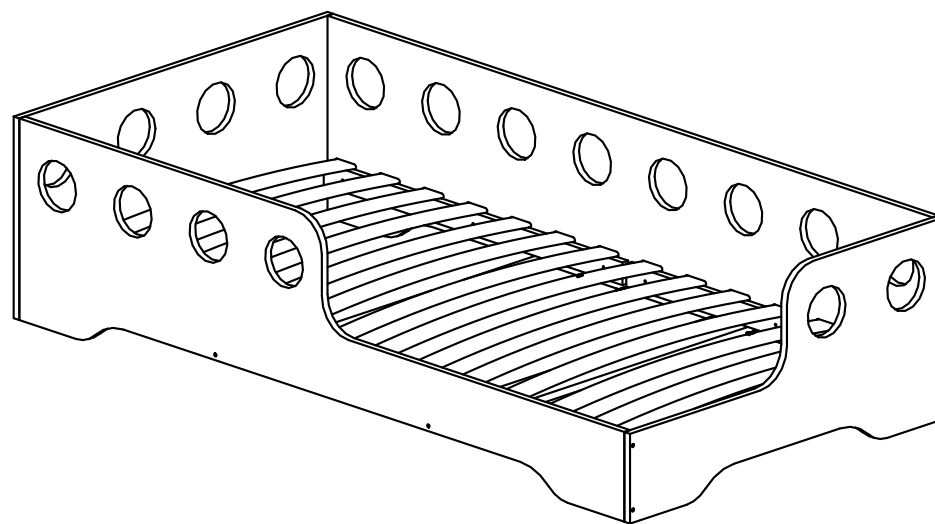


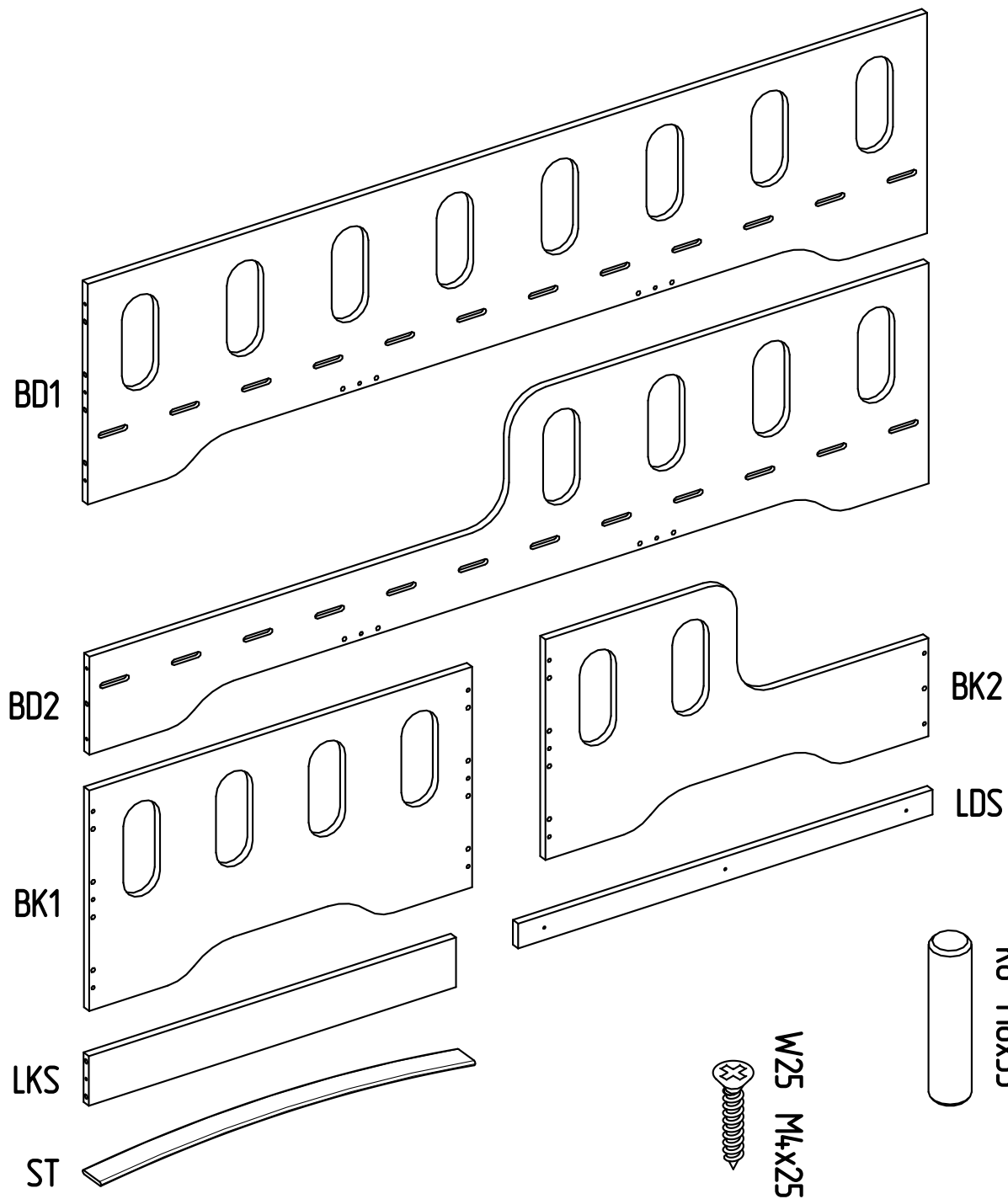
# Assembly instruction for models

TILA 1P



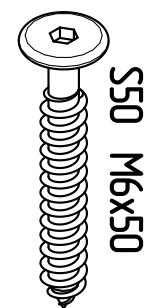
TILA 5P





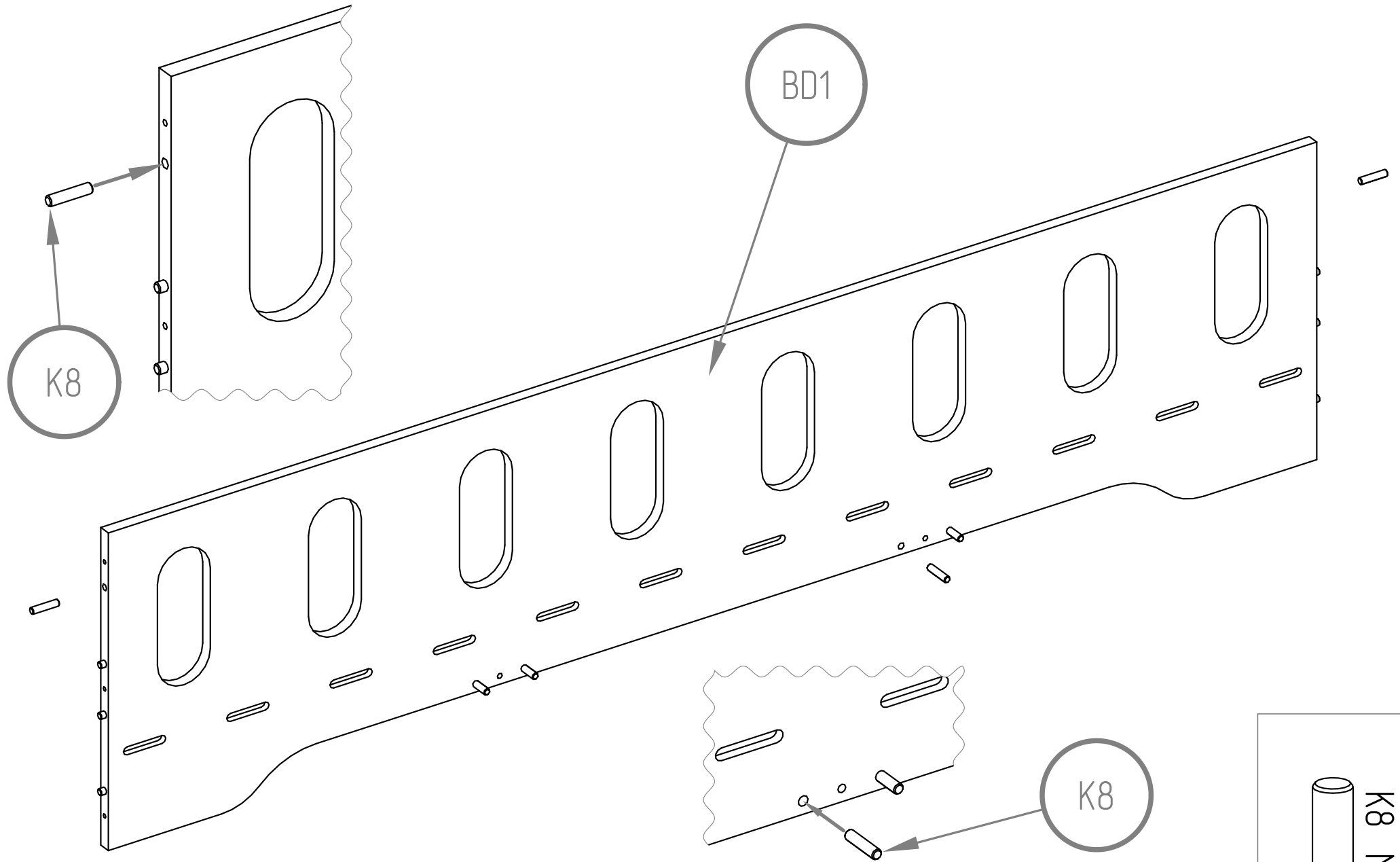
## ELEMENTS

BD1	x1
BD2	x1
BK1	x1
BK2	x1
LDS	x4
LKS	x2
ST	x12-16



## SCREWS

S50	x15
K8	x21
W25	x12

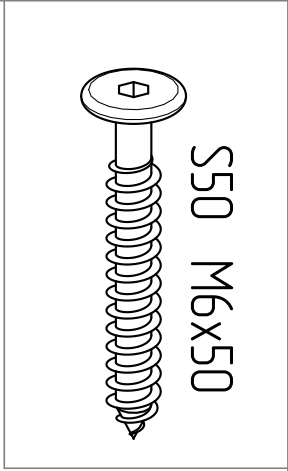
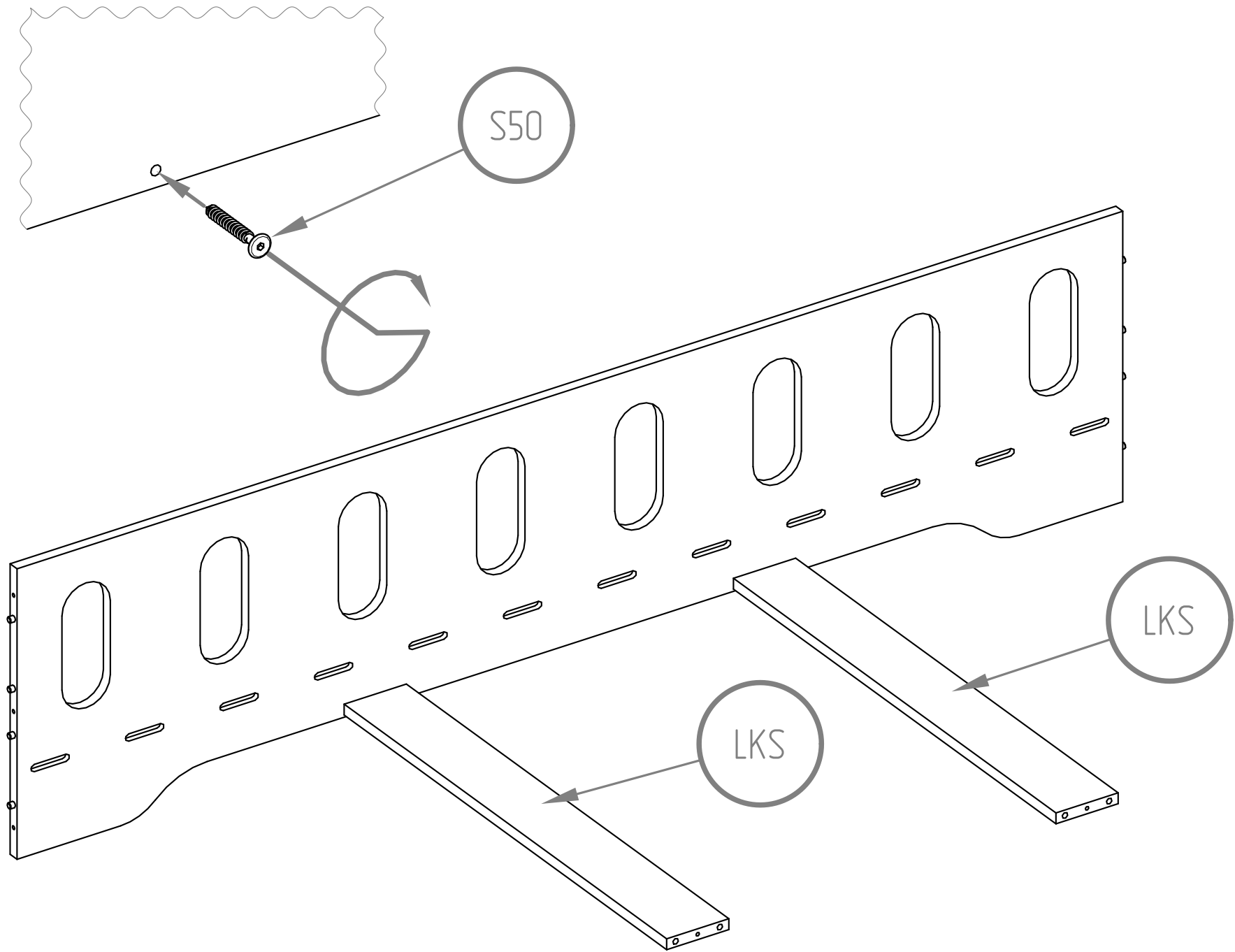


K8

BD1

K8

K8 M8x35



K8

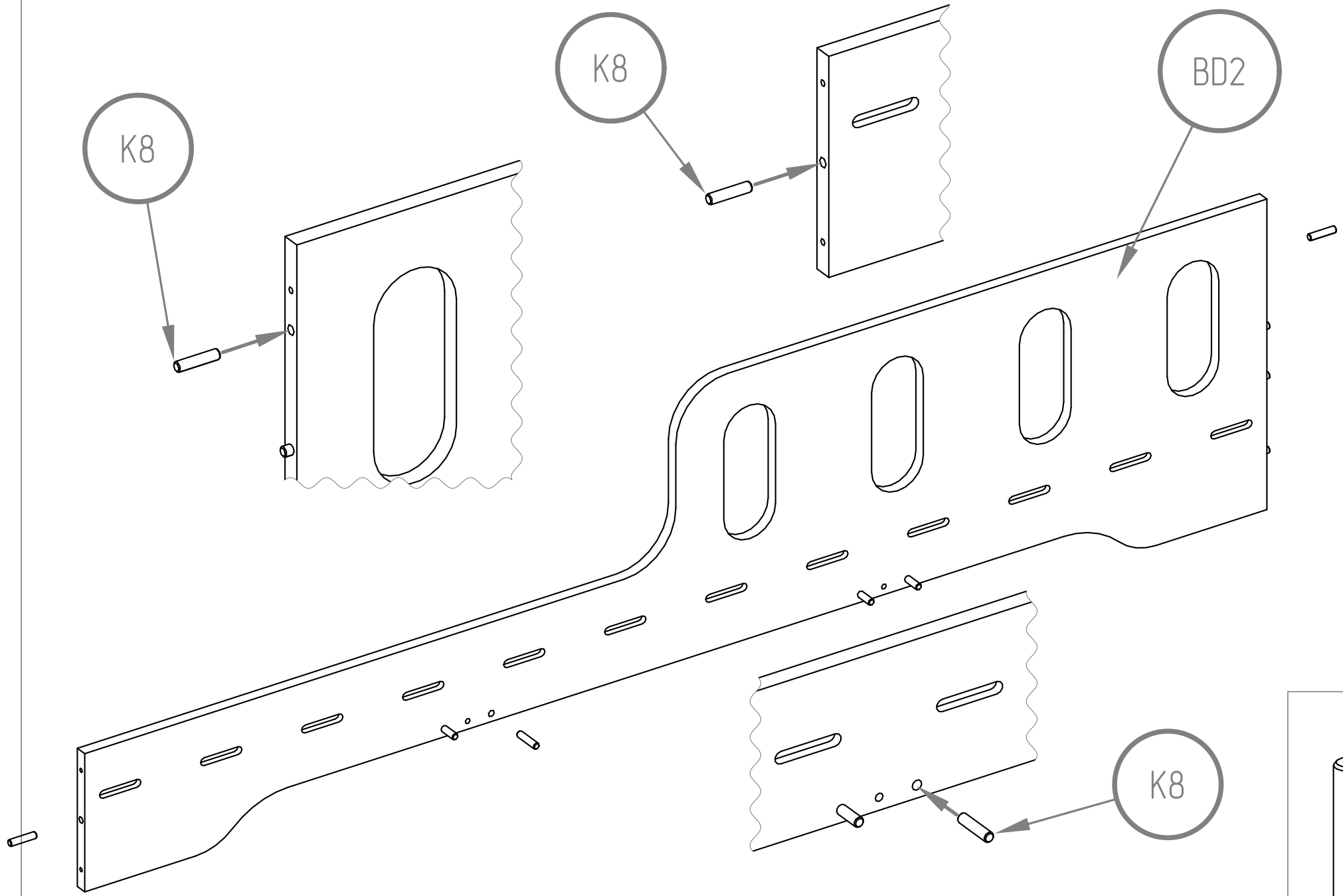
K8

BD2

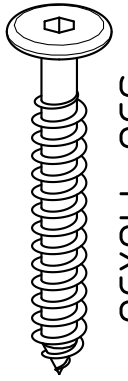
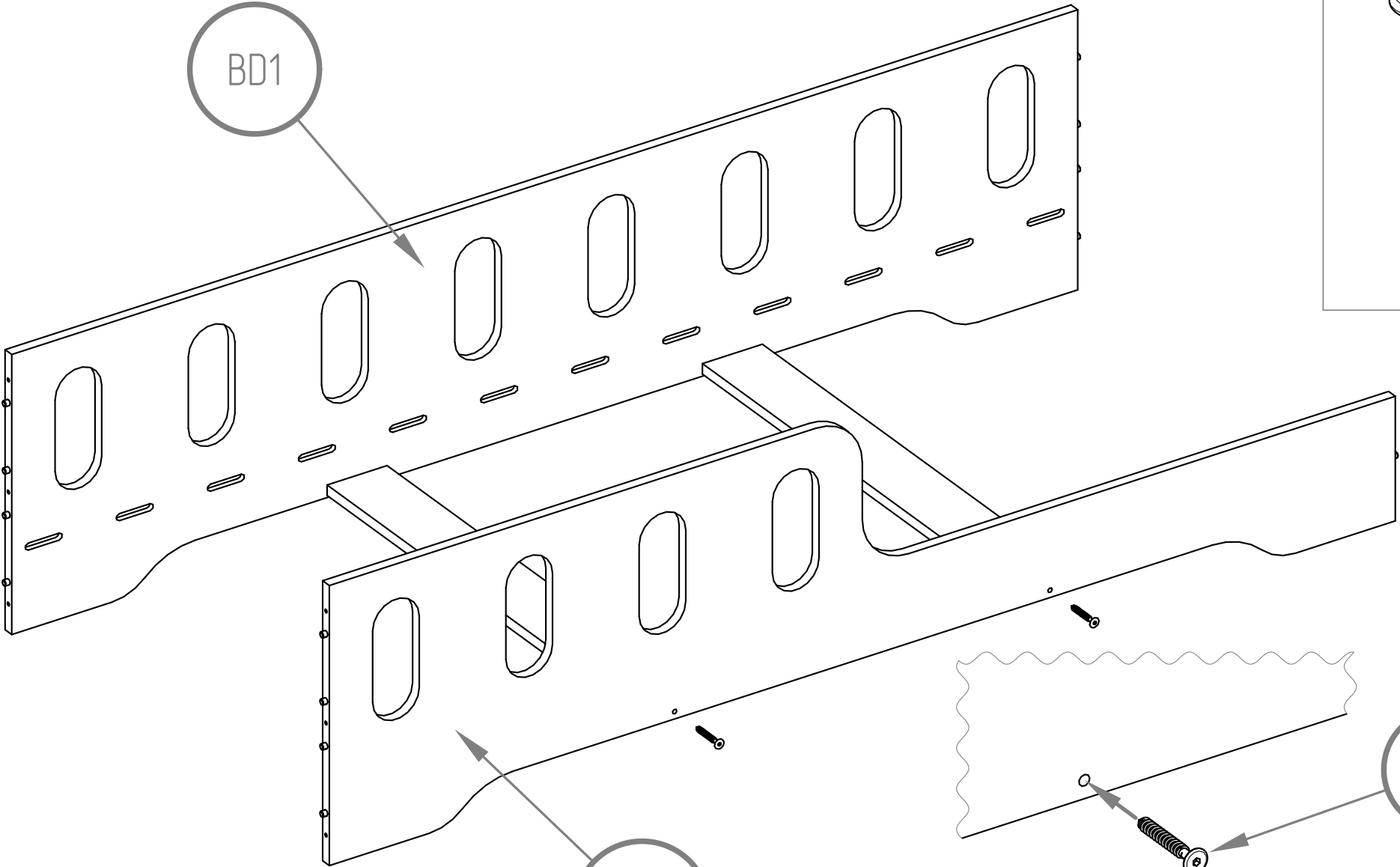
K8



K8 M8x35



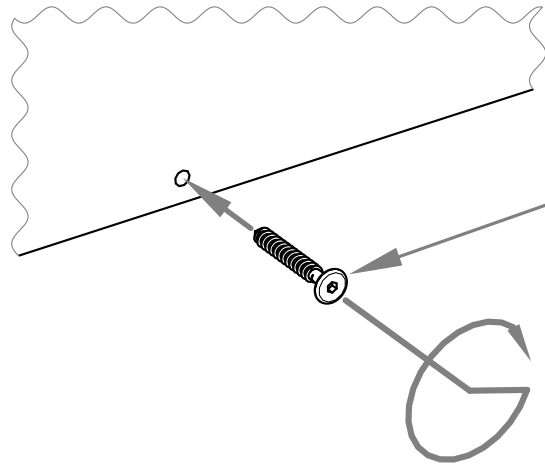
BD1

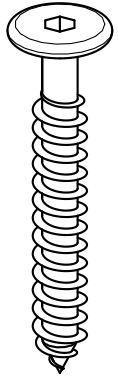


S50 M6x50

BD2

S50





S50 M6x50



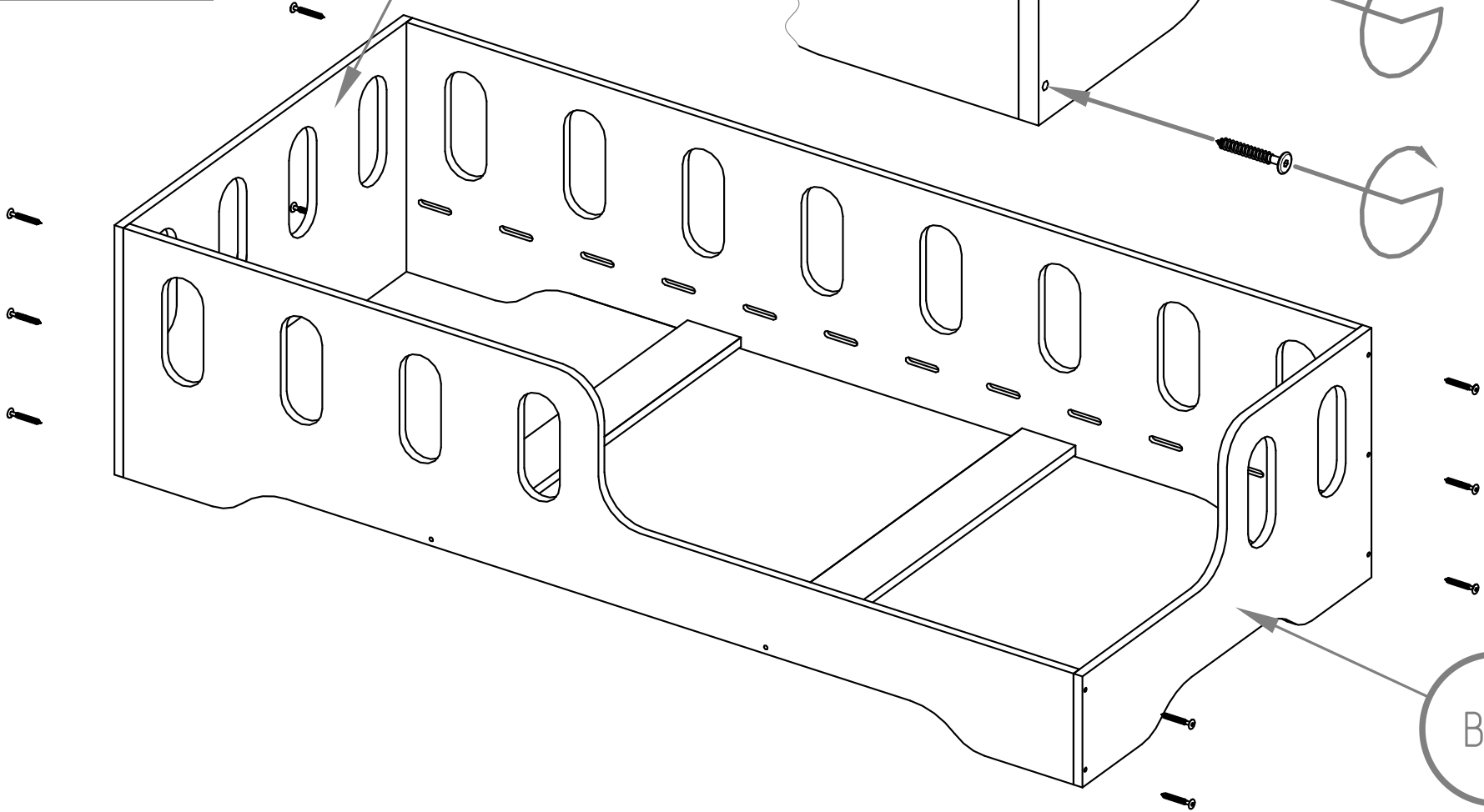
BK1

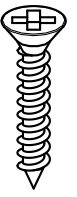


S50



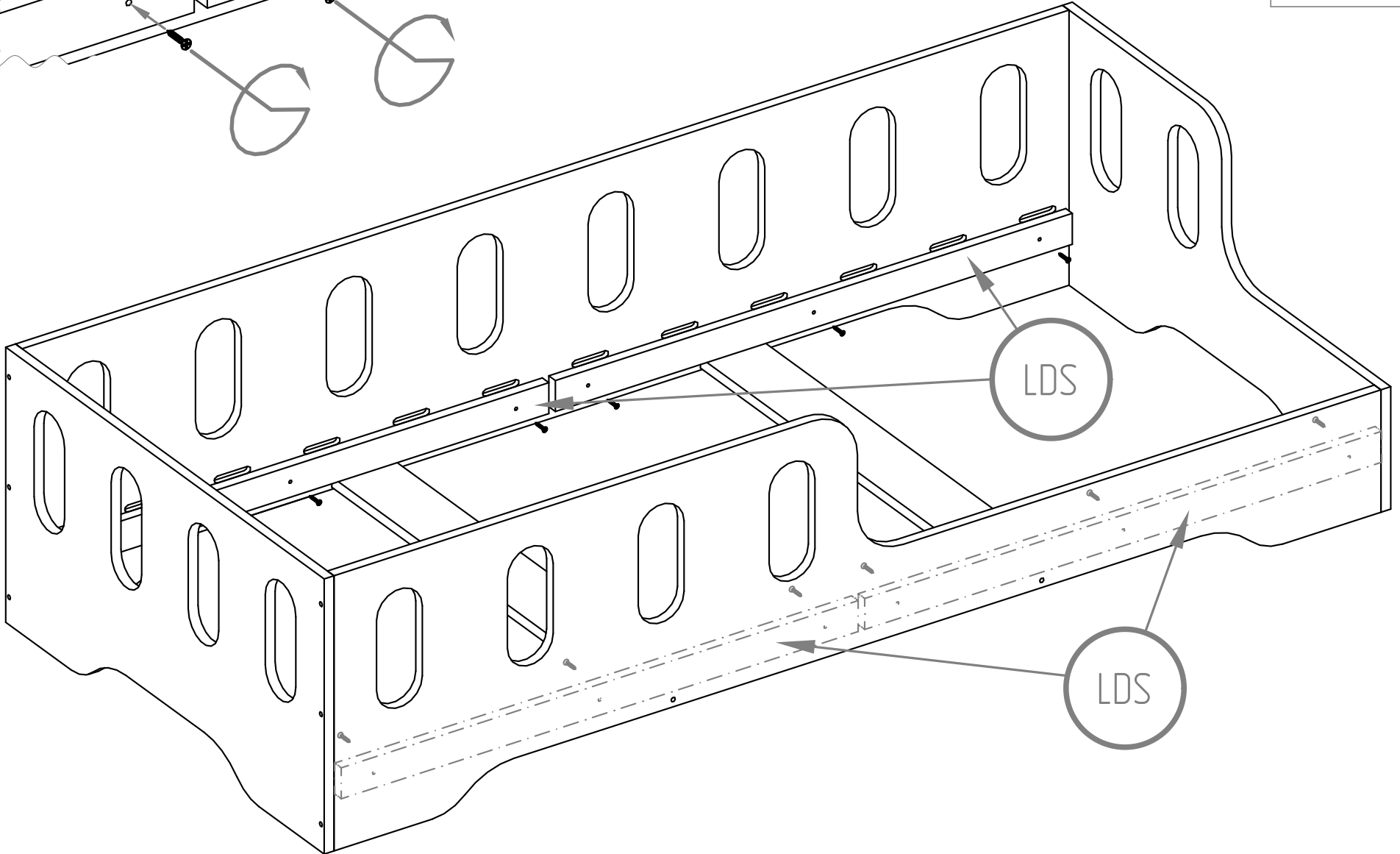
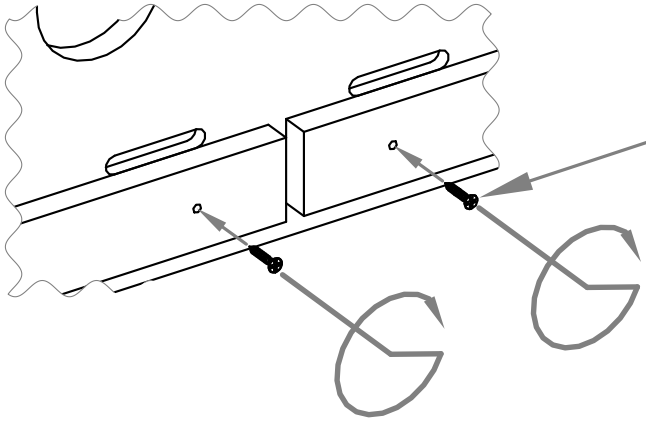
BK2





W25 M4x25

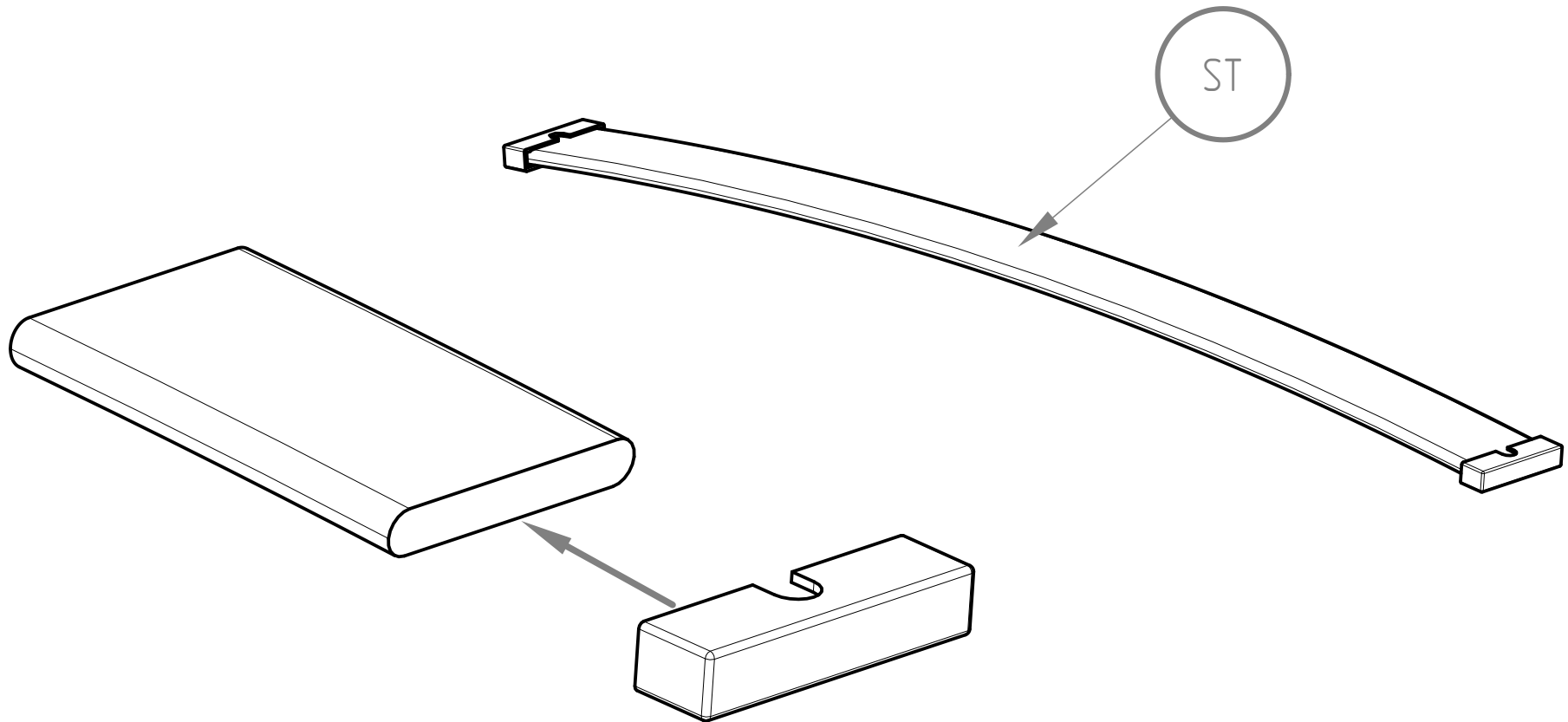
W25

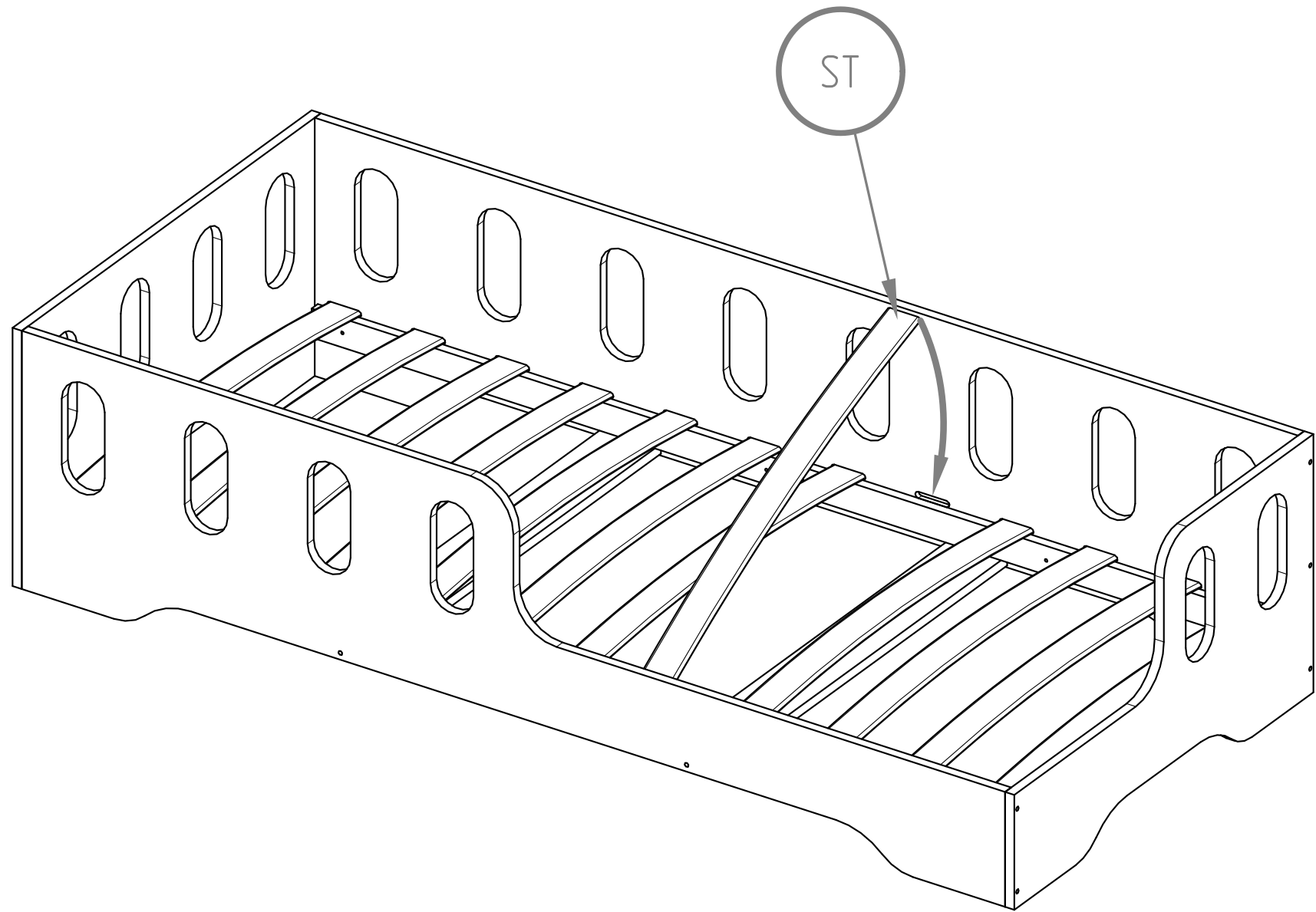




# Important!

Install the plastic caps before assembling the ST spring slats to the bed frame.





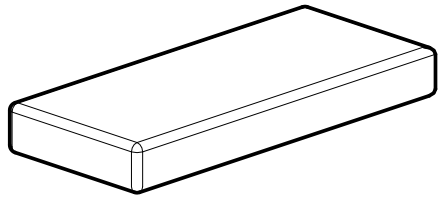


Beds are for sleeping,  
not for jumping

Prohibit more than  
one person on bed



# IMPORTANT



Use only mattresses  
with thickness of 8–12 cm



Bed parts have 2 years  
warranty in normal use

Wooden parts should be cleaned with a dry cloth and ordinary  
mild detergents for the care and cleaning of wooden parts