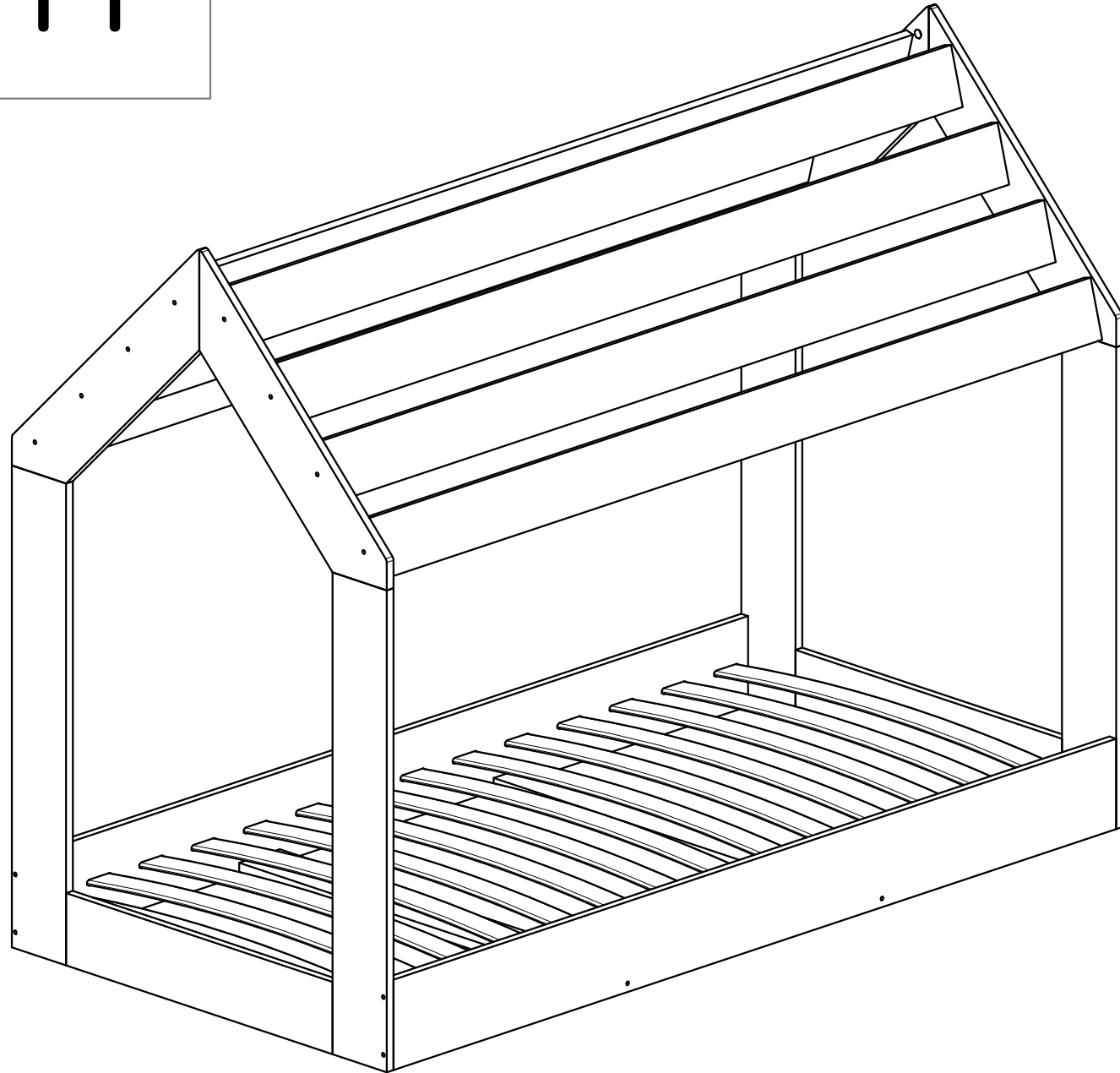
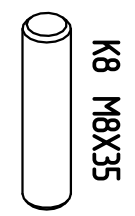
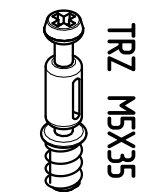
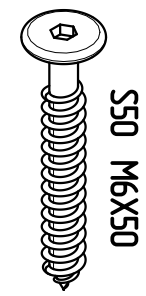
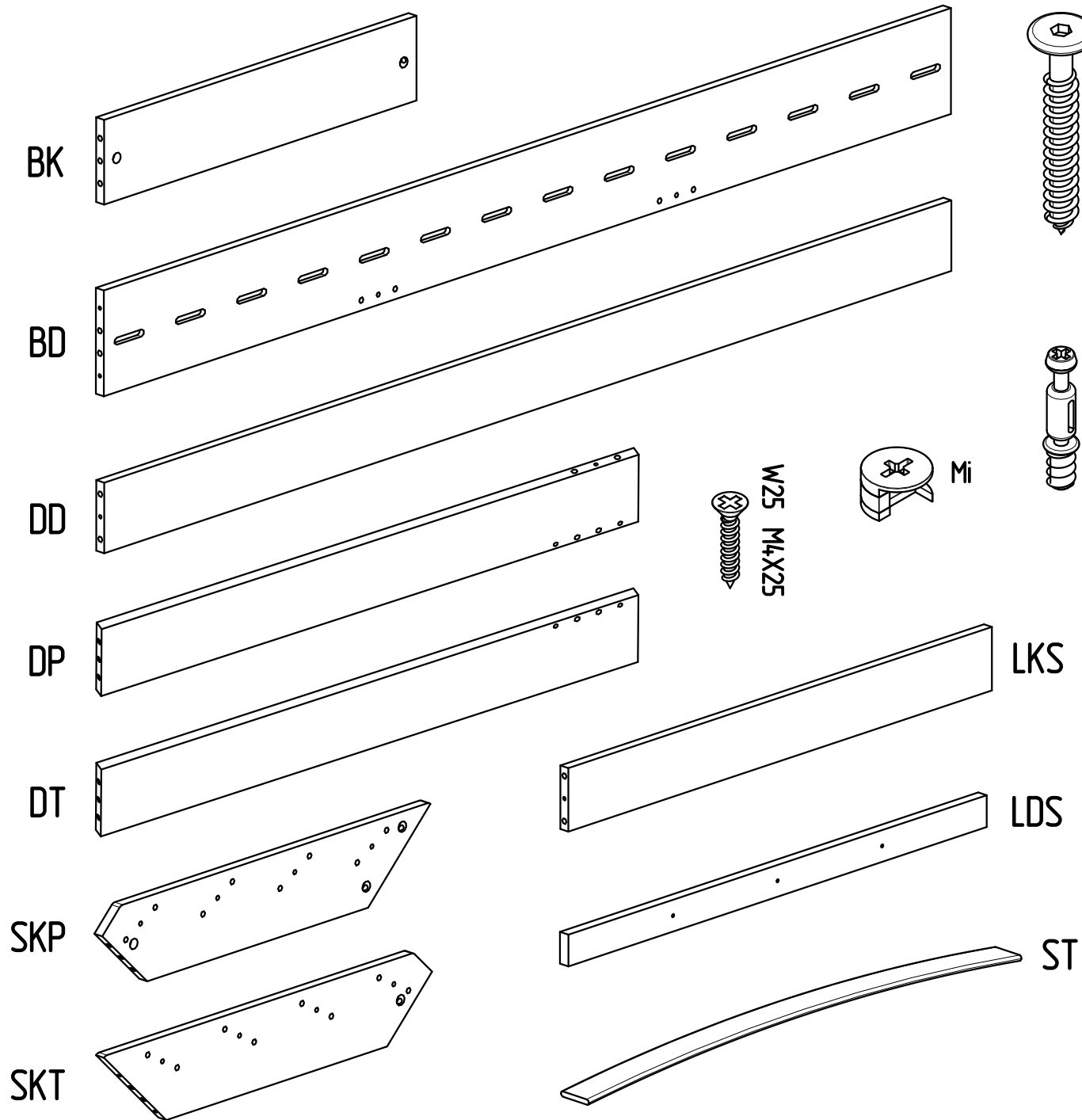


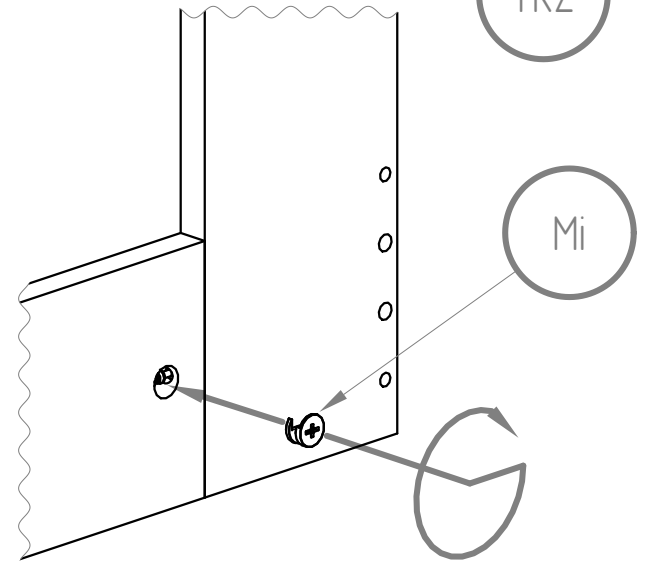
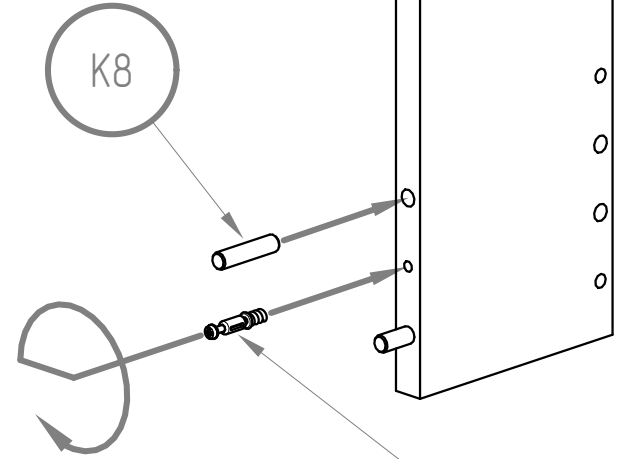
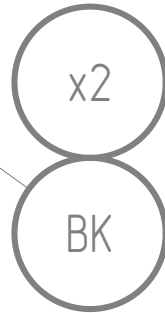
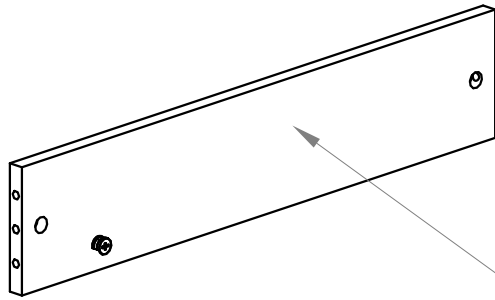
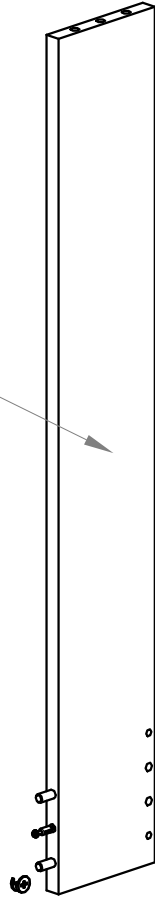
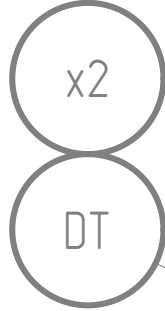
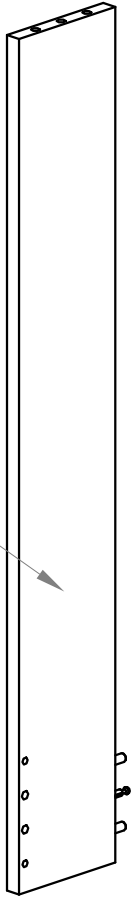
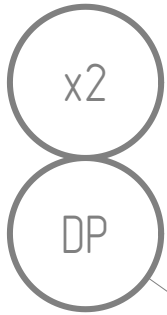
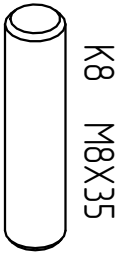
MOON M

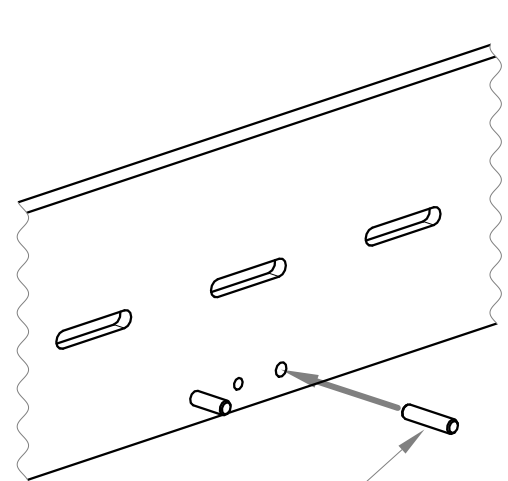




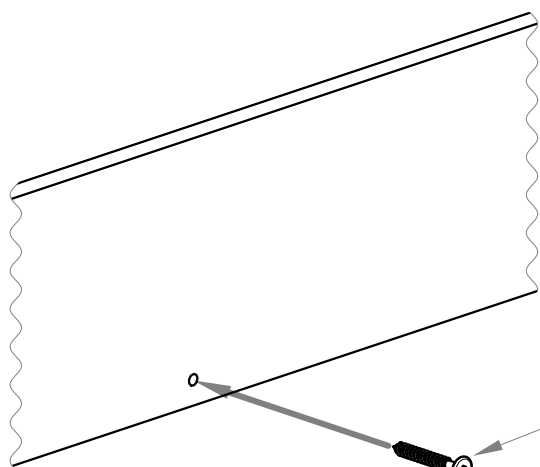
SCREWS	
S50	x28
W25	x12
Mi	x12
TRZ	x12
K8	x68

MOON M	
BK	x2
BD	x2
DD	x8
DP	x2
DT	x2
SKP	x2
SKT	x2
LKS	x2
LDS	x4
ST	x12-16

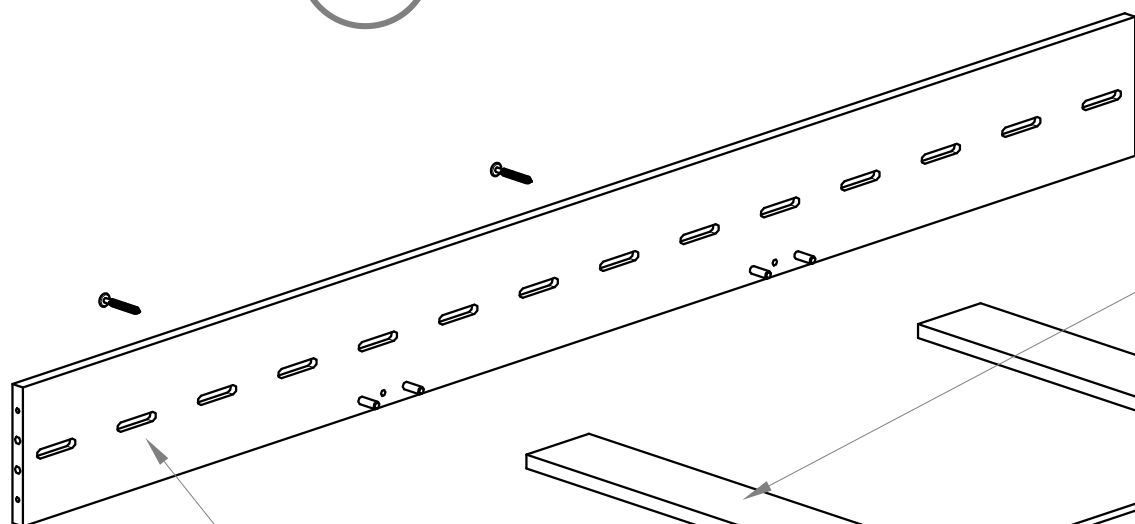
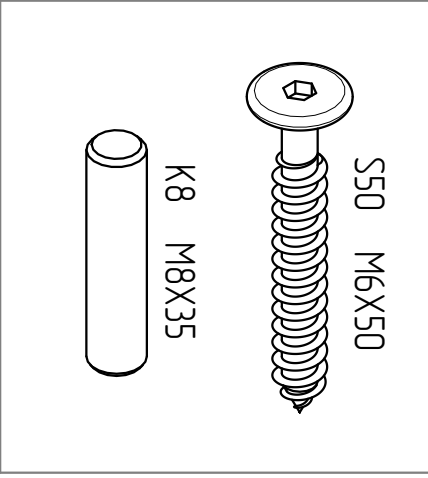




K8

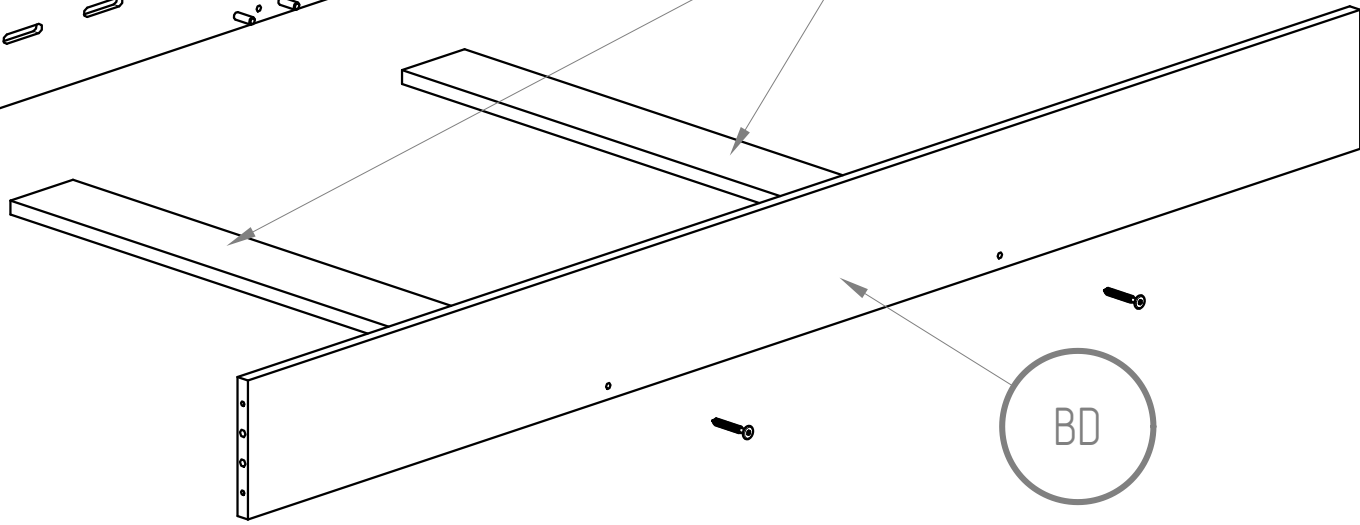


S50



LKS

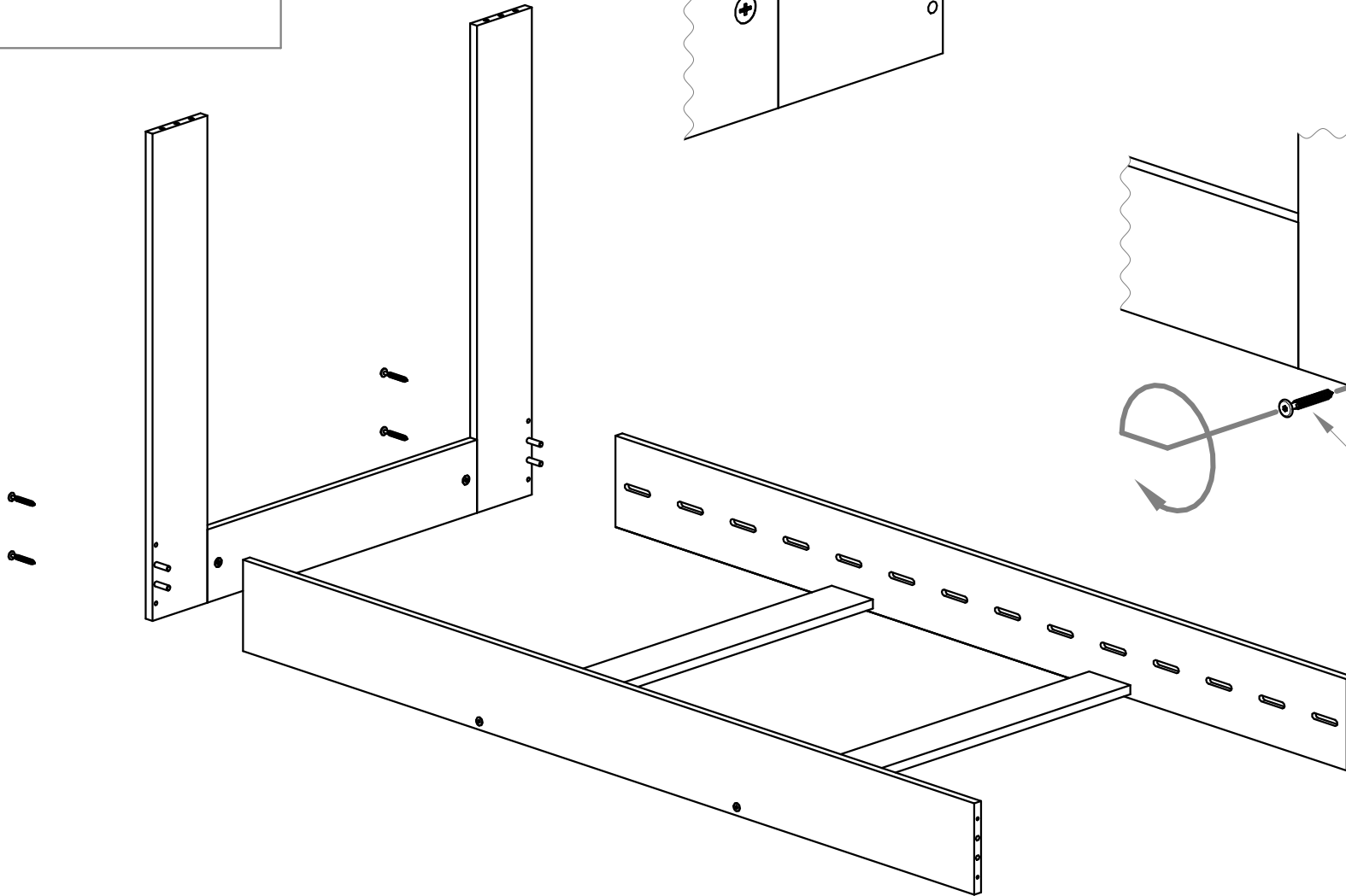
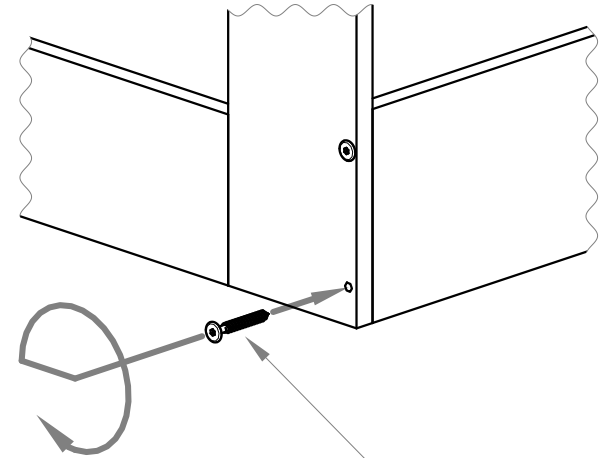
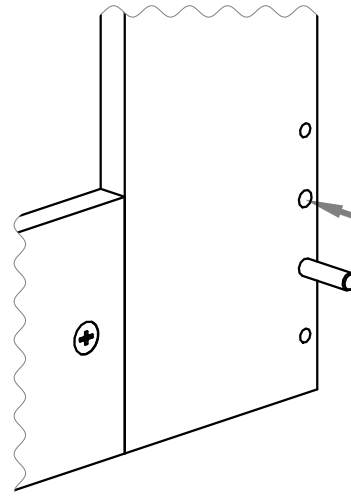
BD

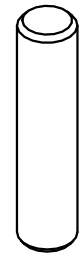
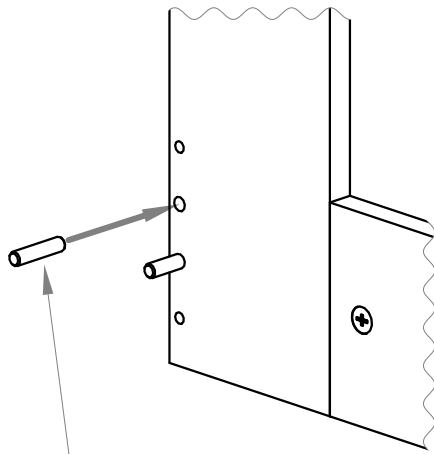
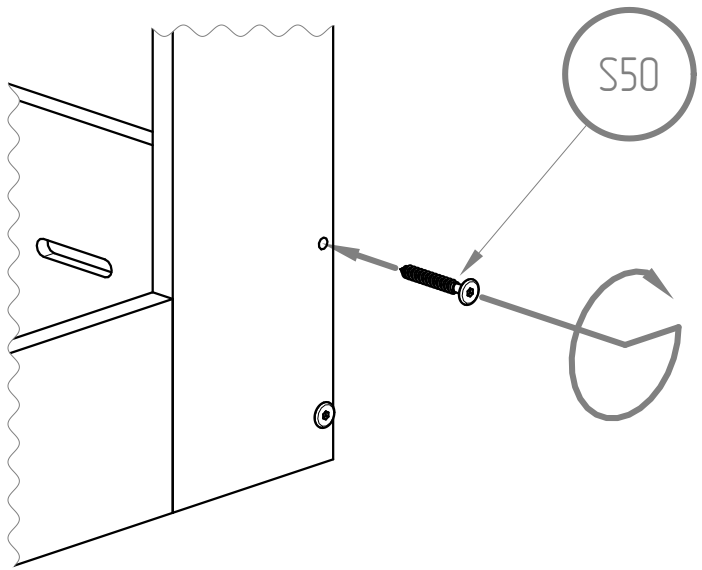


BD

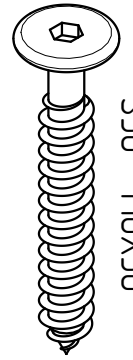
K8
M8X35

S50
M6X50

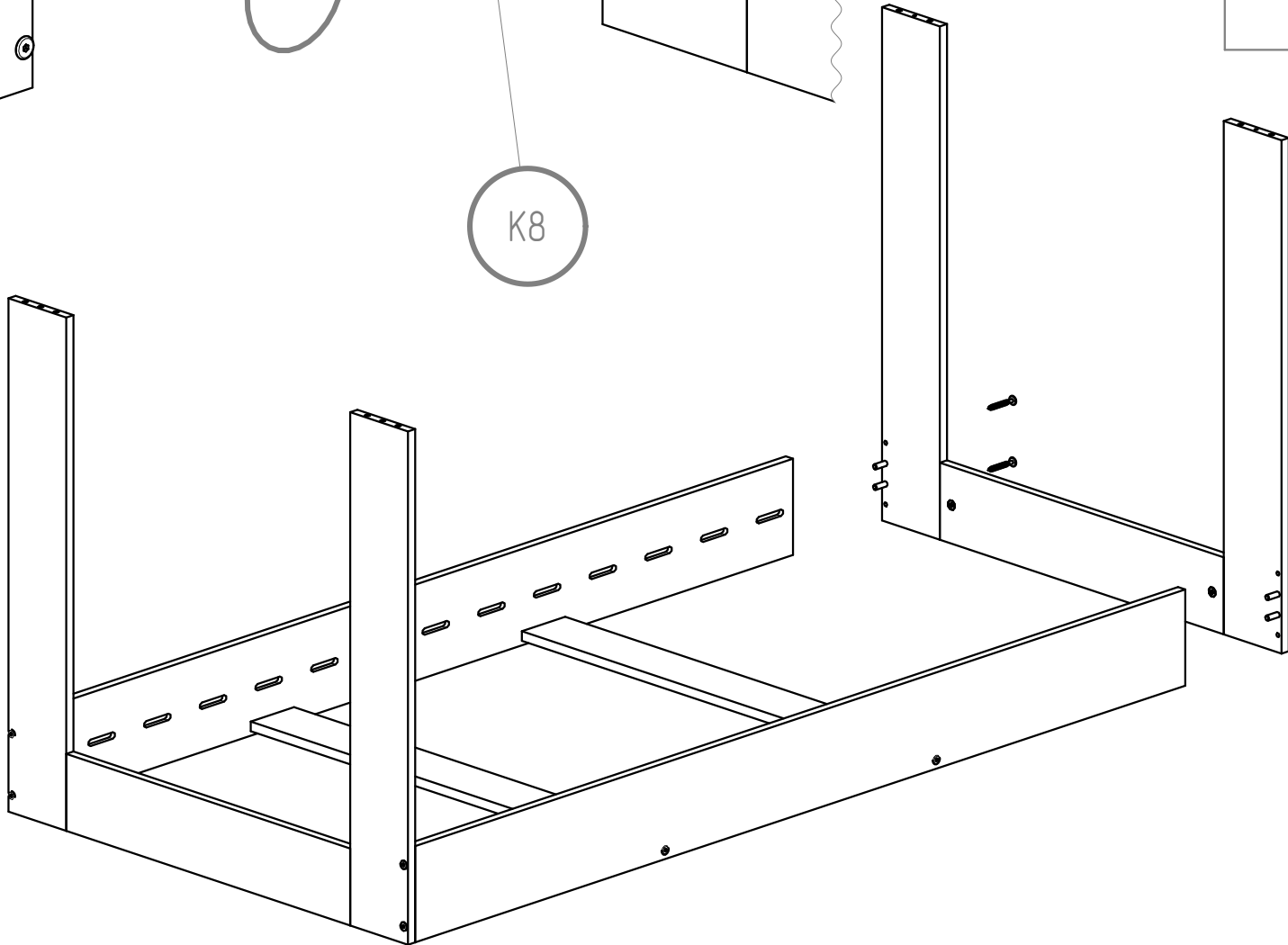


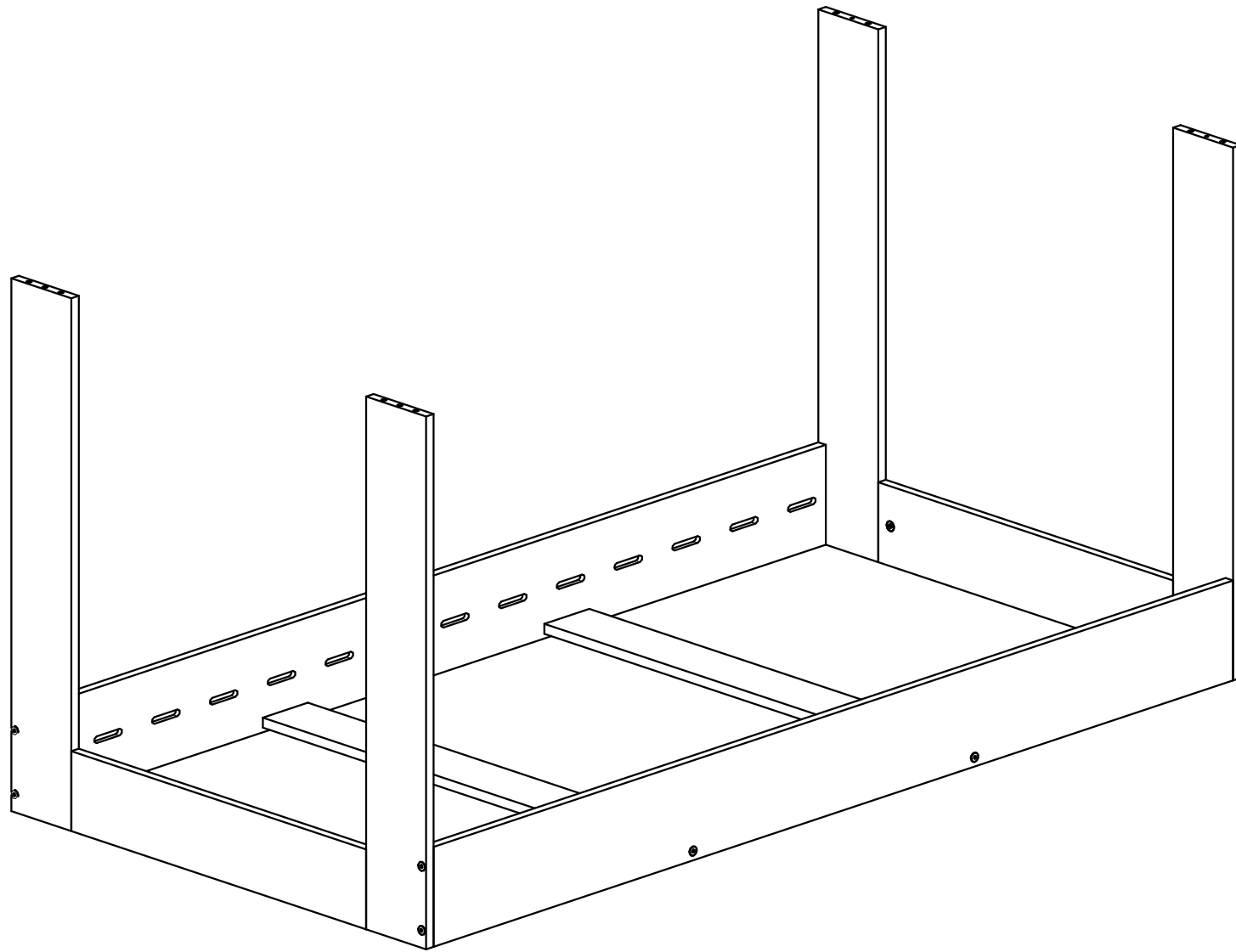


K8 M8X35



S50 M6X50

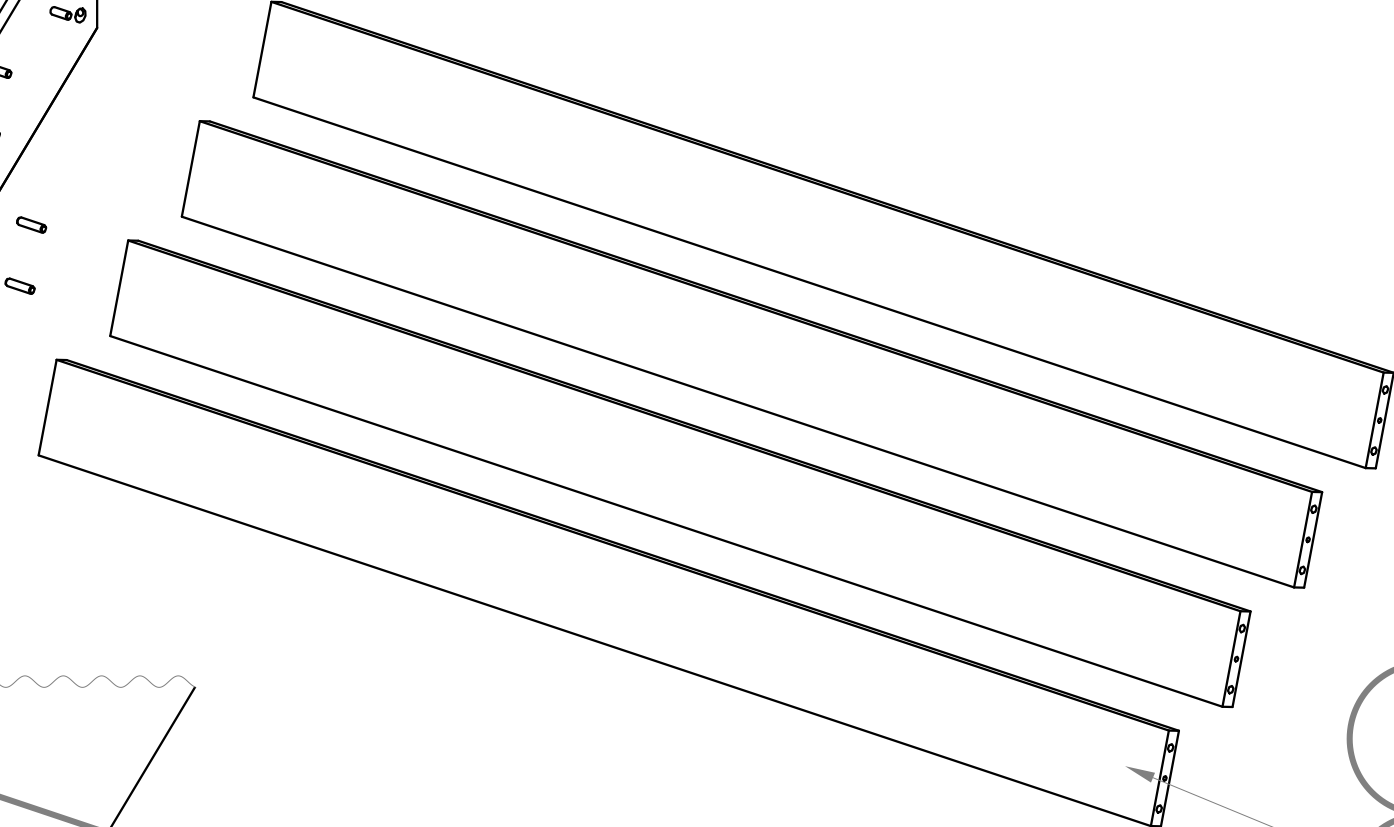
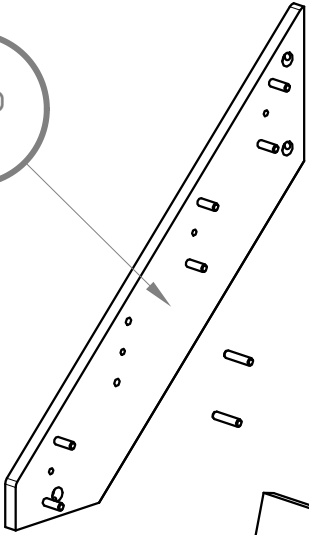






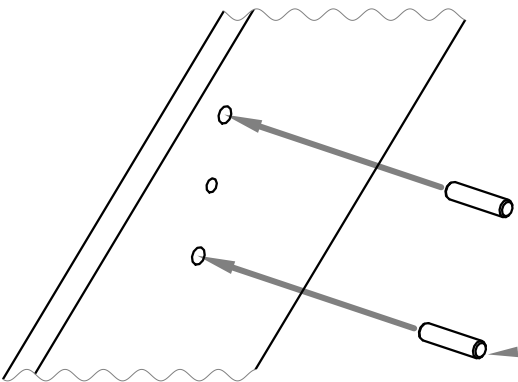
K8 M8X35

SKP

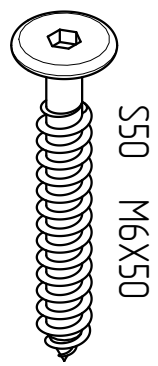
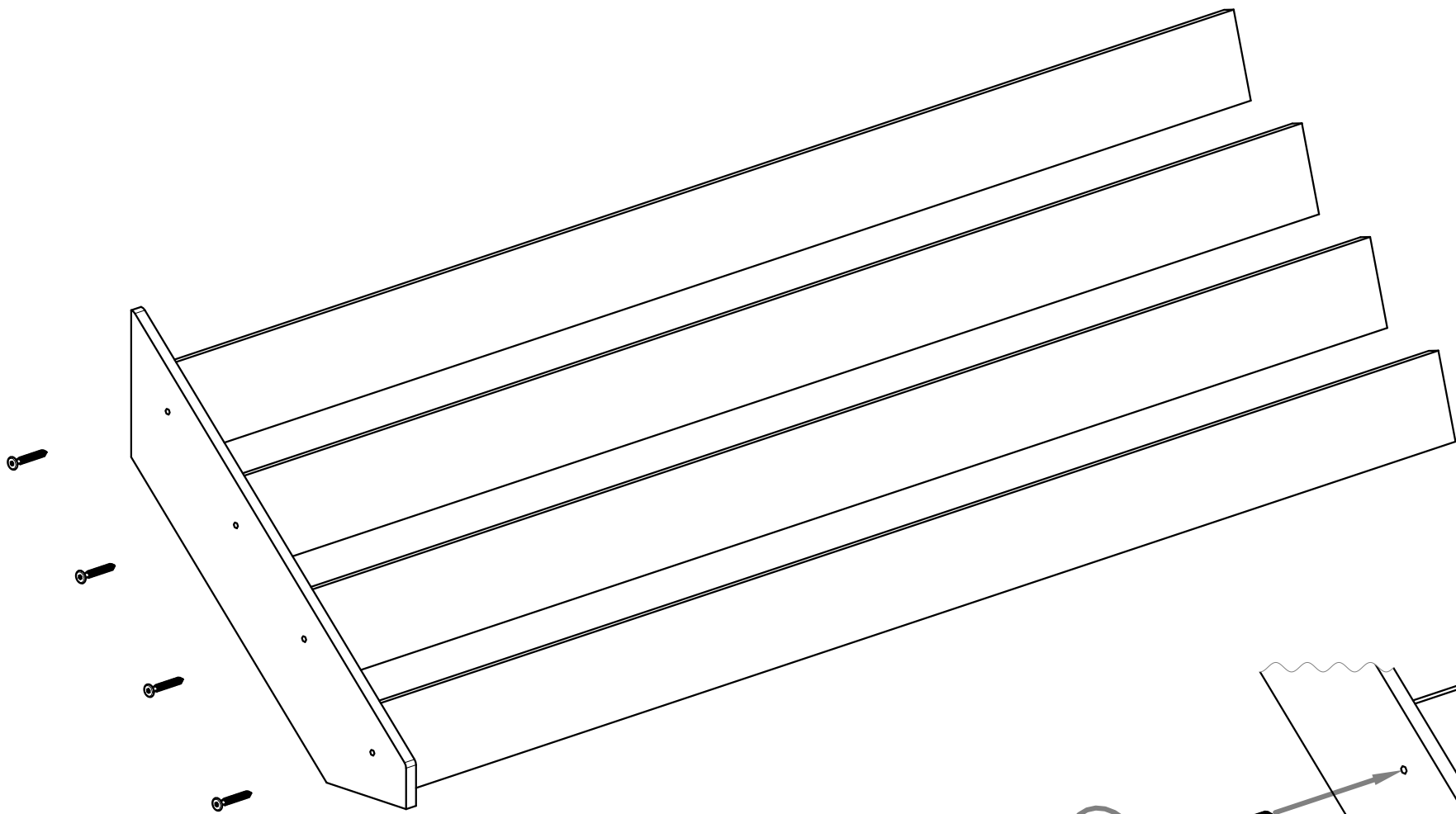


X4

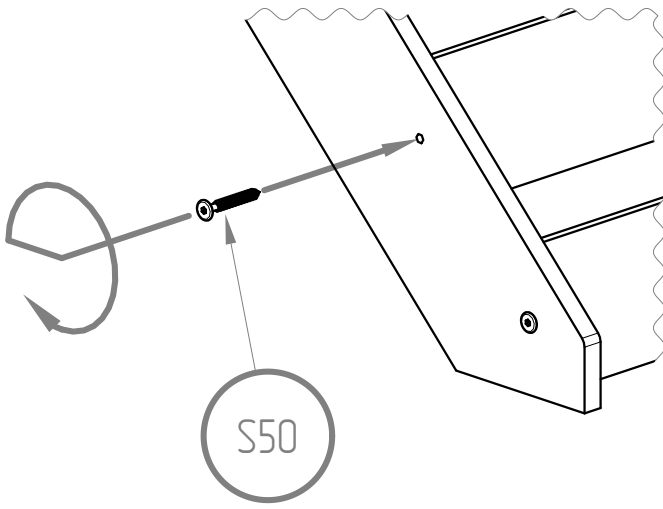
DD



K8

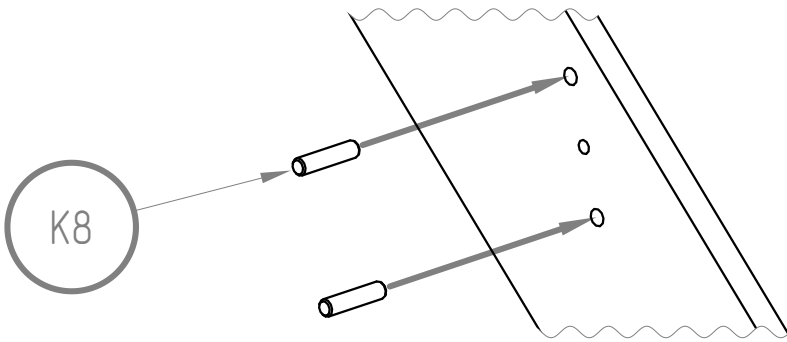
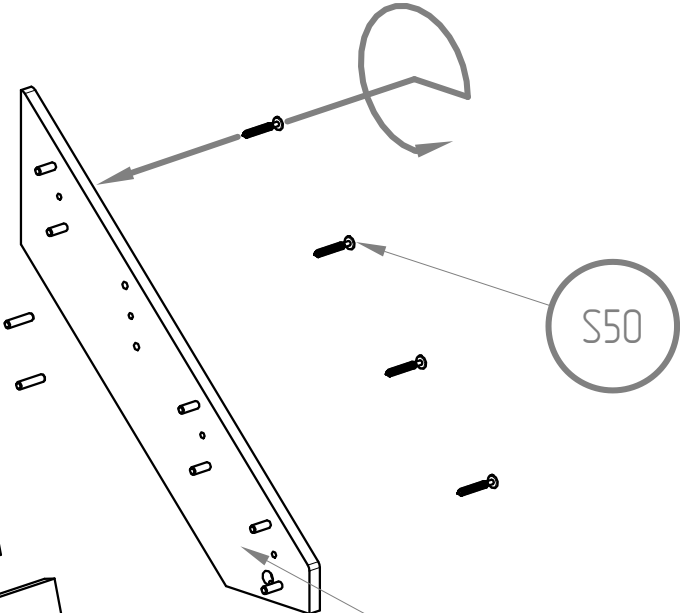
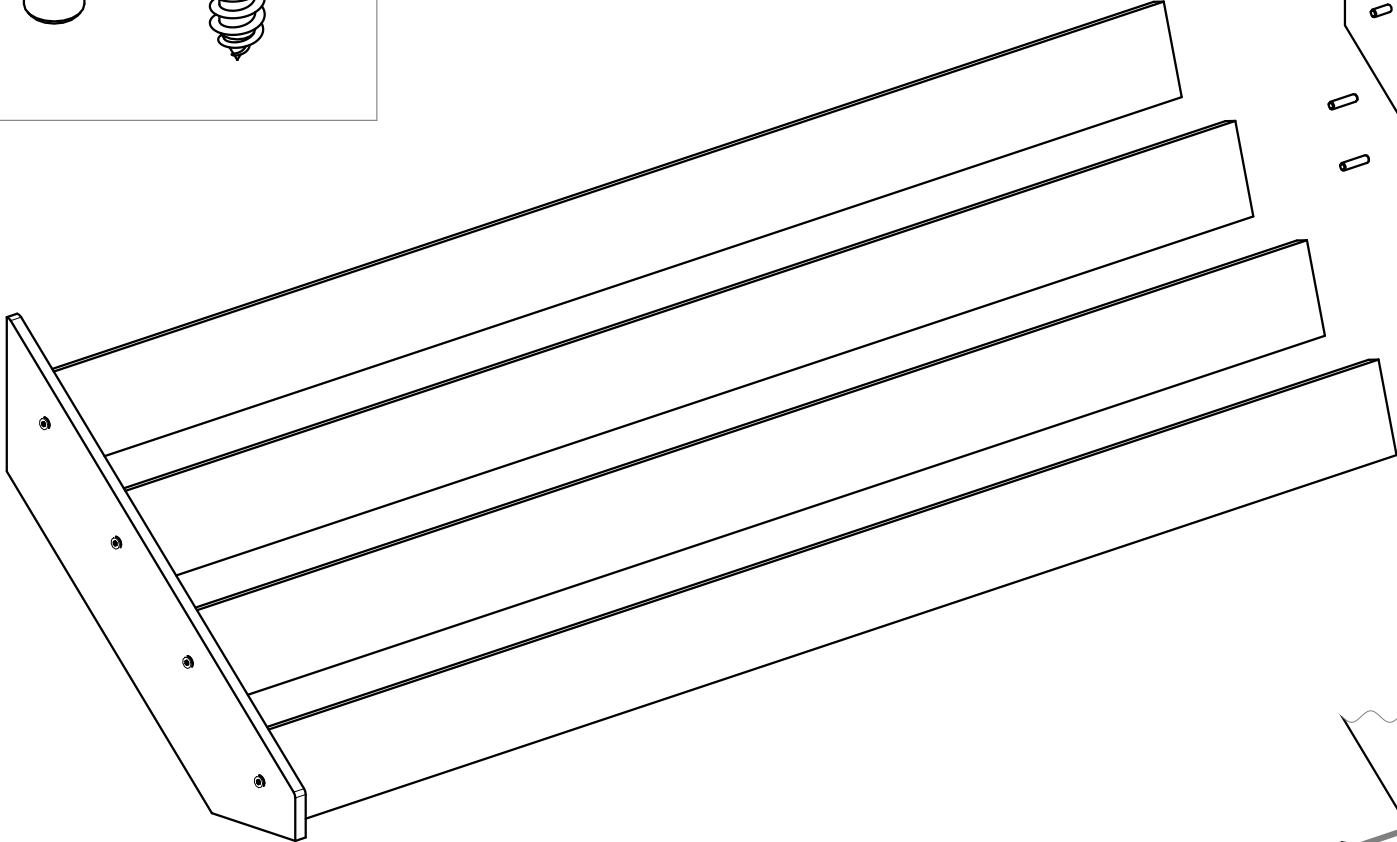
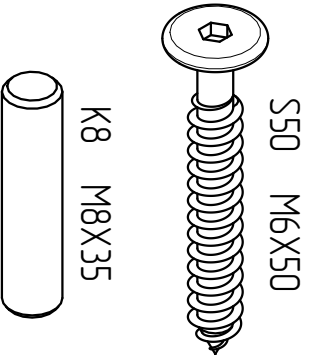


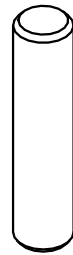
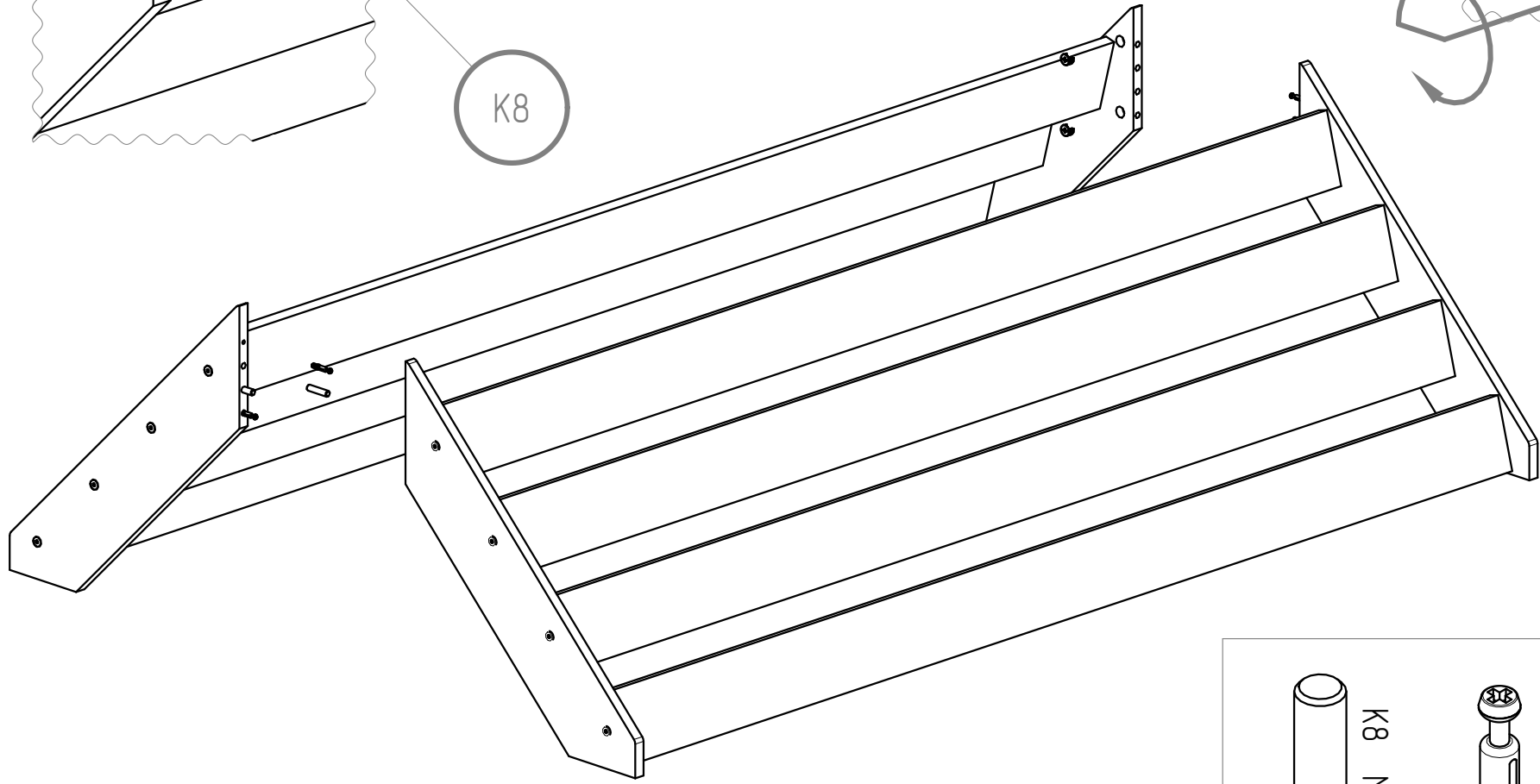
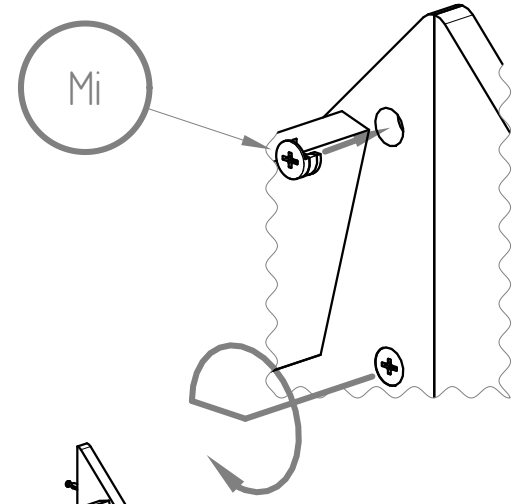
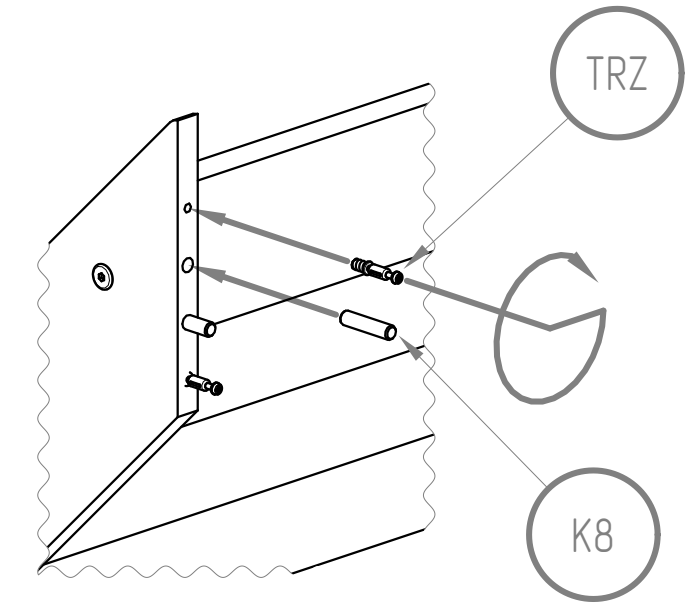
S50 M6X50



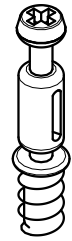
S50

Assemble the other part of the roof in the same way

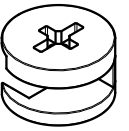




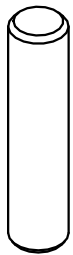
K8 M8X35



TRZ M5X35



Mi



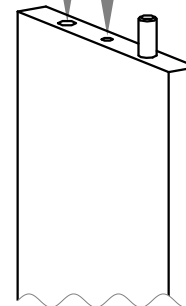
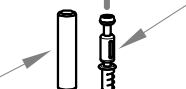
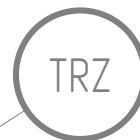
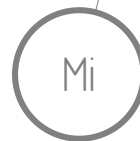
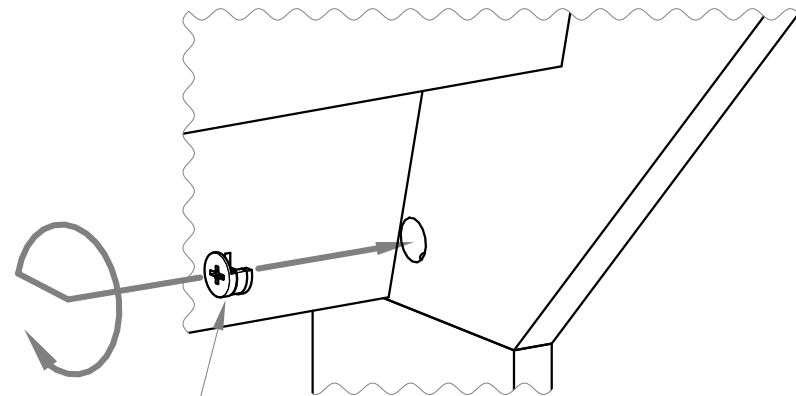
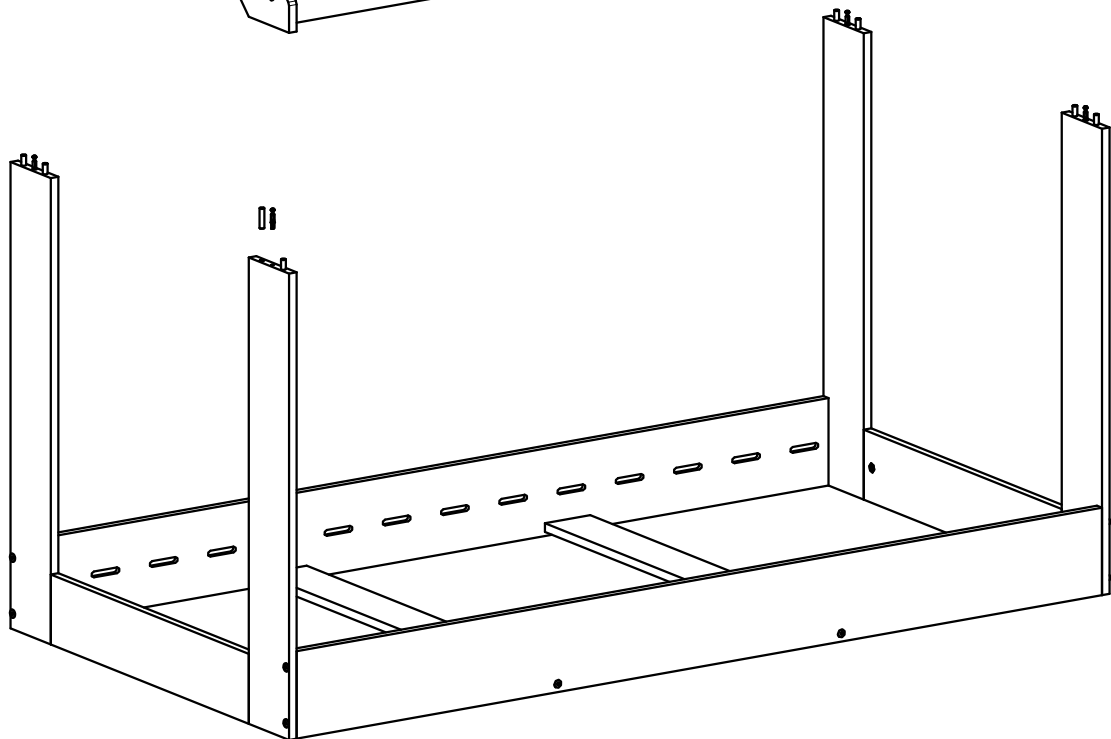
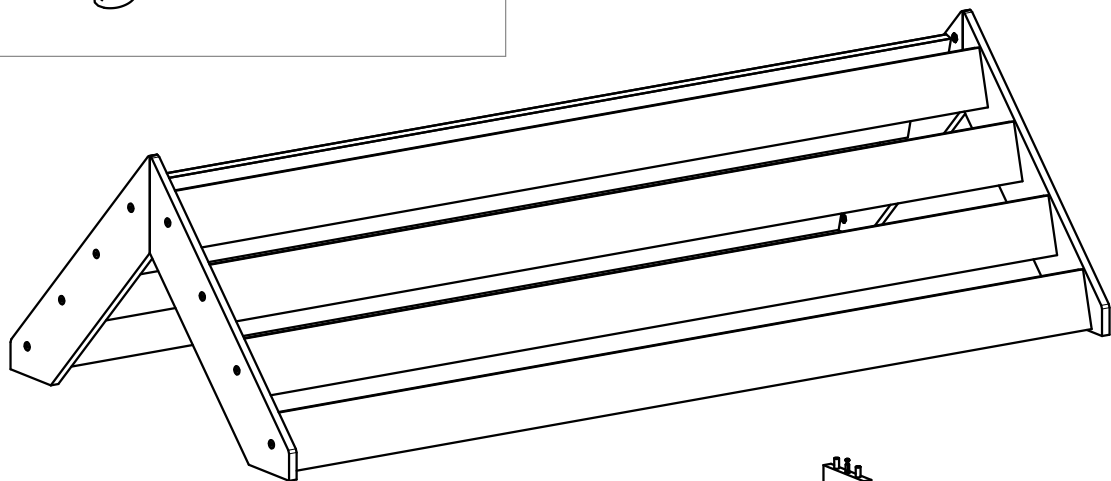
K8
M8X35



TRZ
M5X35

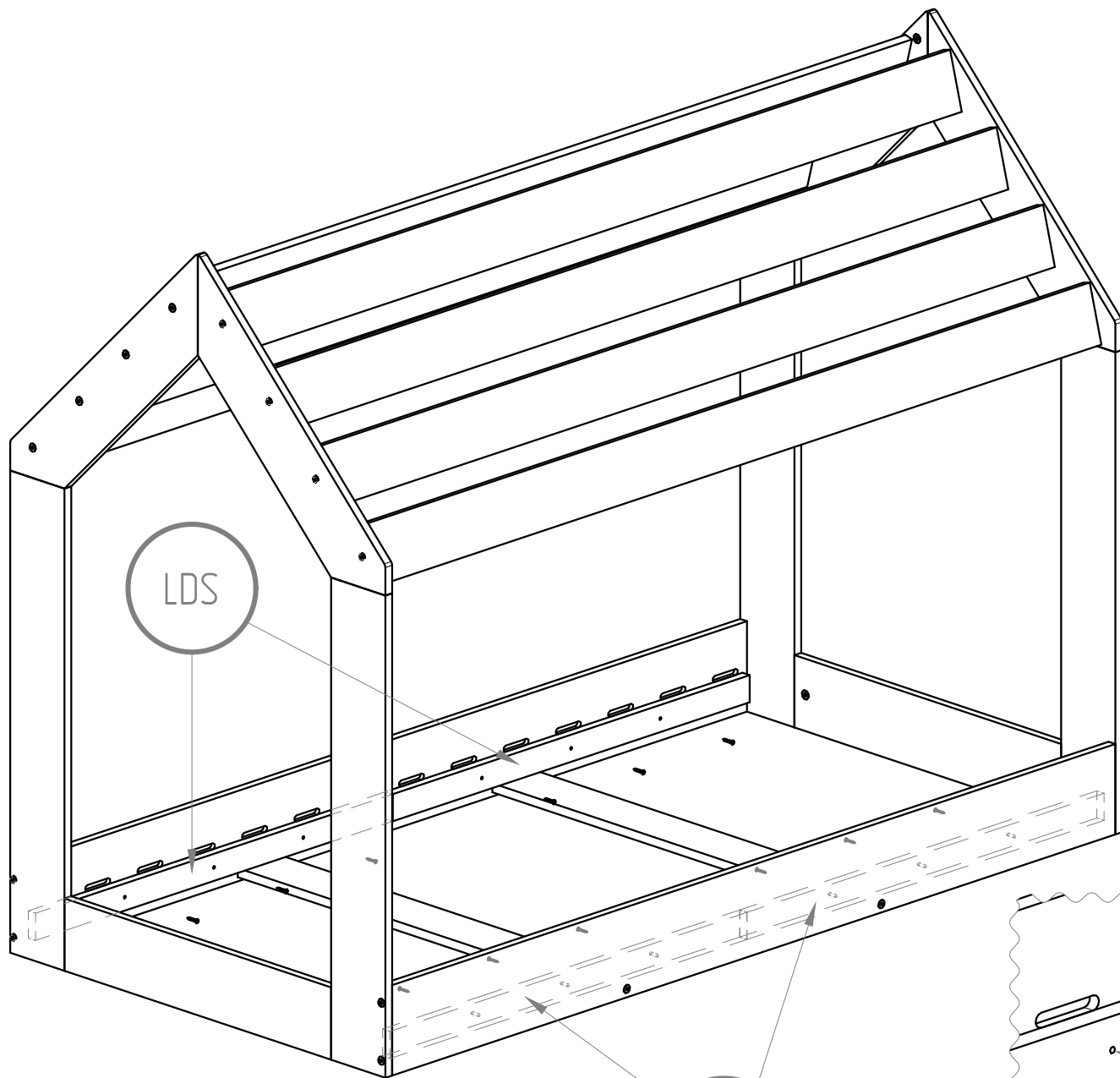


Mi





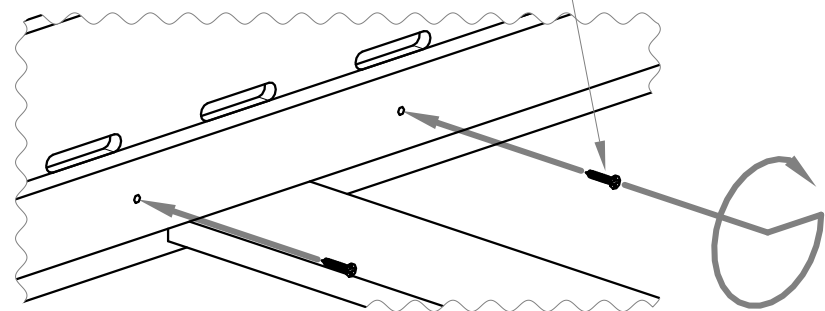
W25 M4X25



LDS

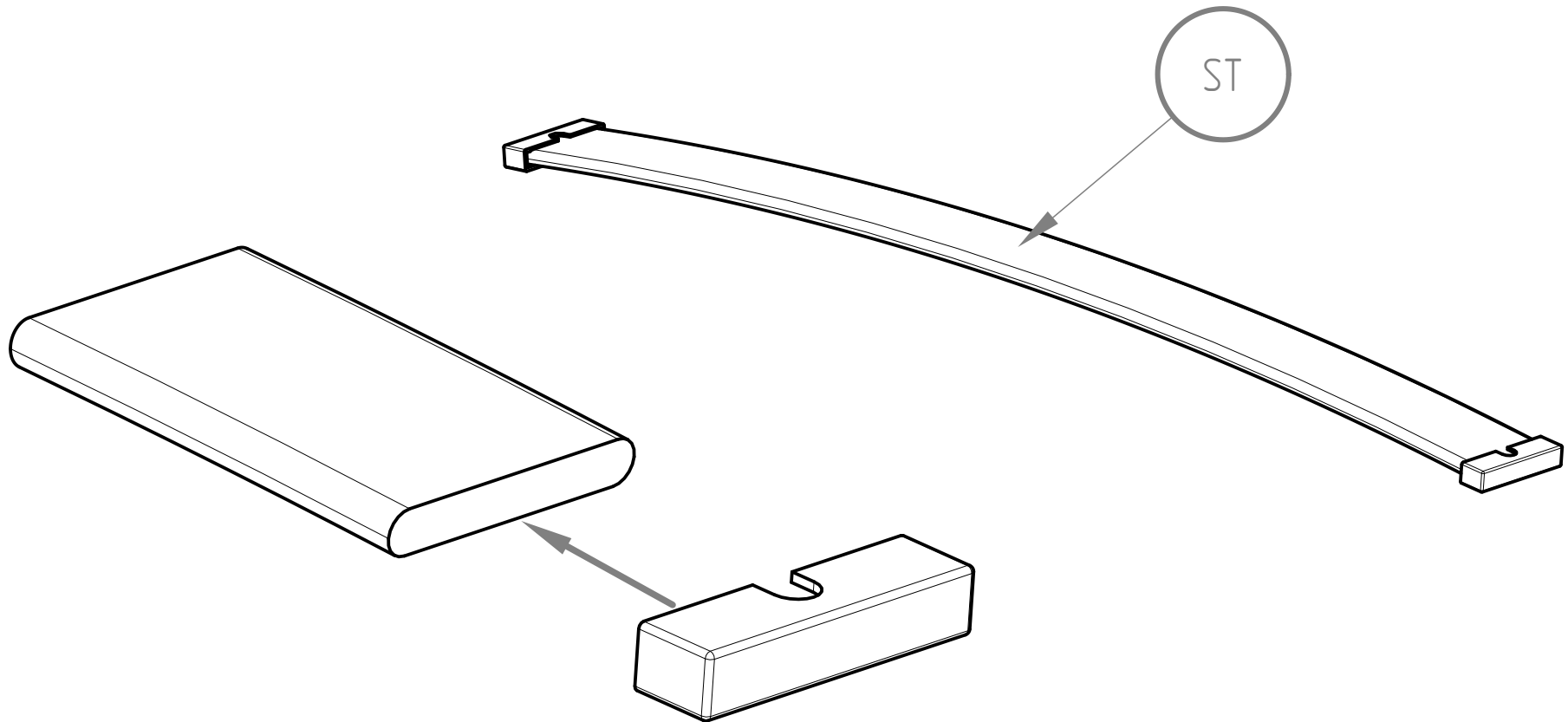
LDS

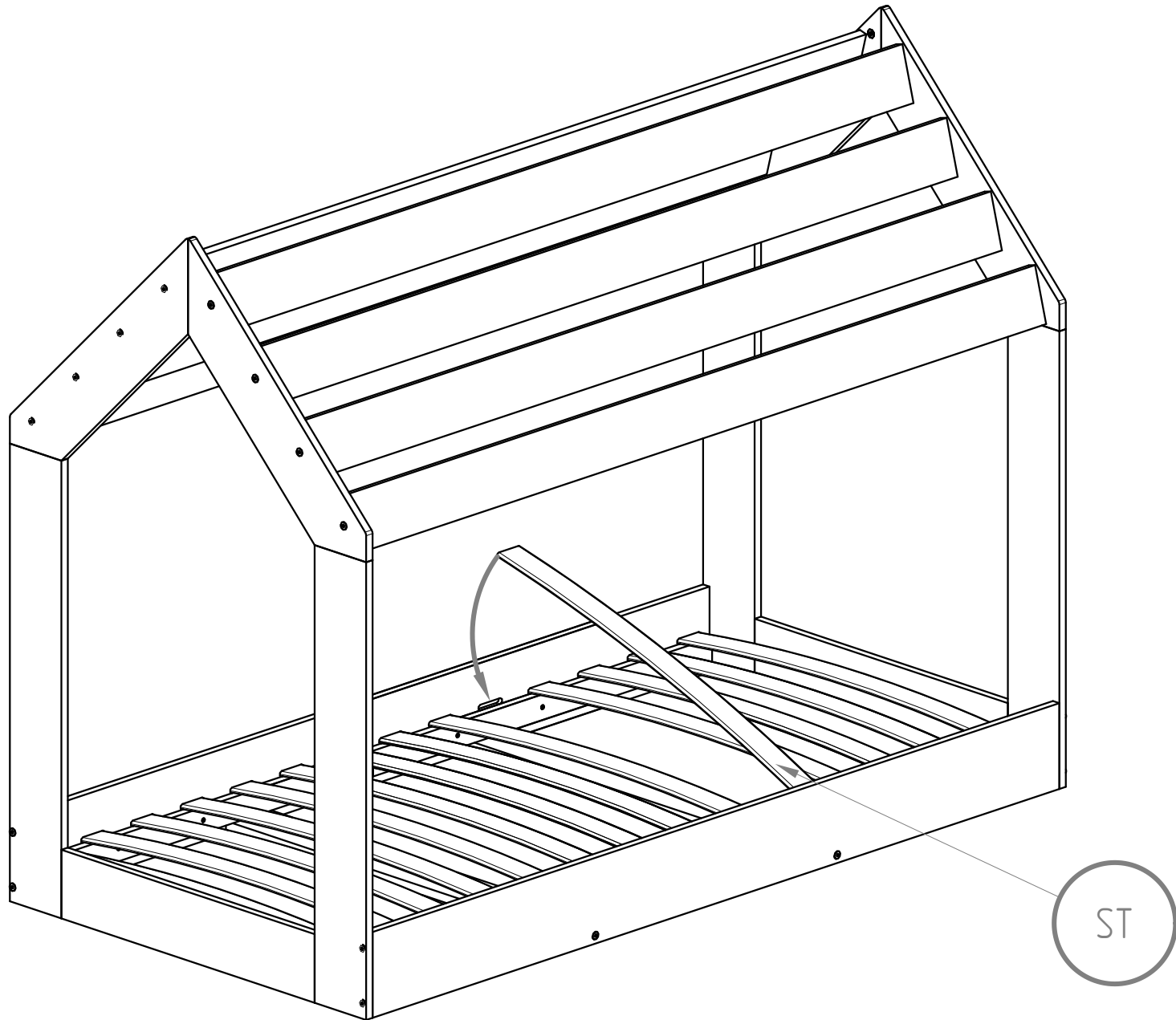
W25



Important!

Install the plastic caps before assembling the ST spring slats to the bed frame.





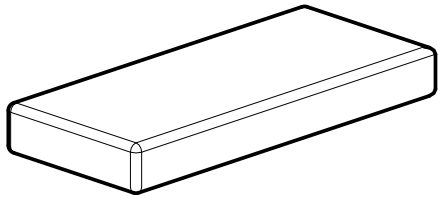


Beds are for sleeping,
not for jumping

Prohibit more than
one person on bed



IMPORTANT



Use only mattresses
with thickness of 8–12 cm



Bed parts have 2 years
warranty in normal use

Wooden parts should be cleaned with a dry cloth and ordinary
mild detergents for the care and cleaning of wooden parts