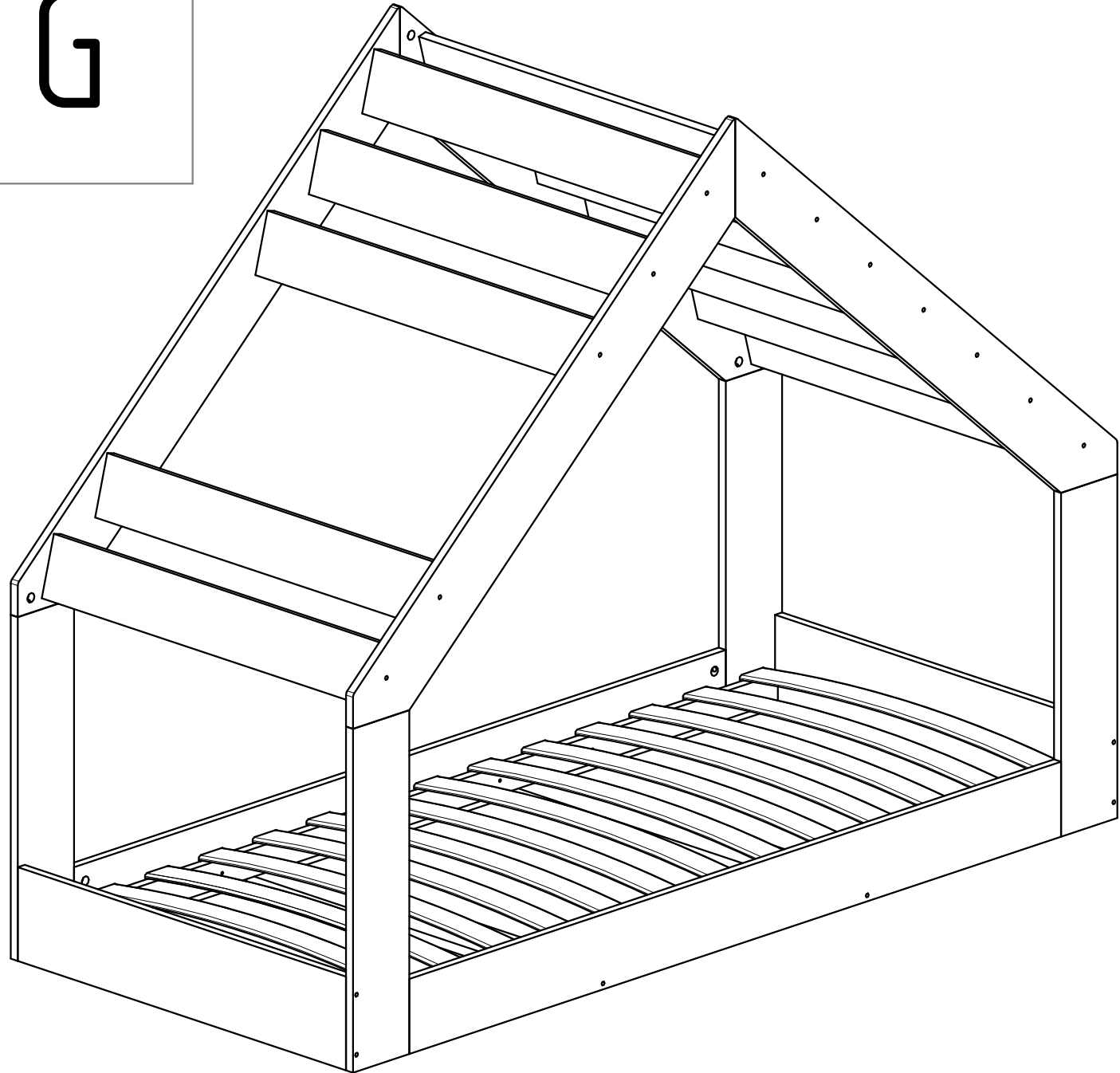
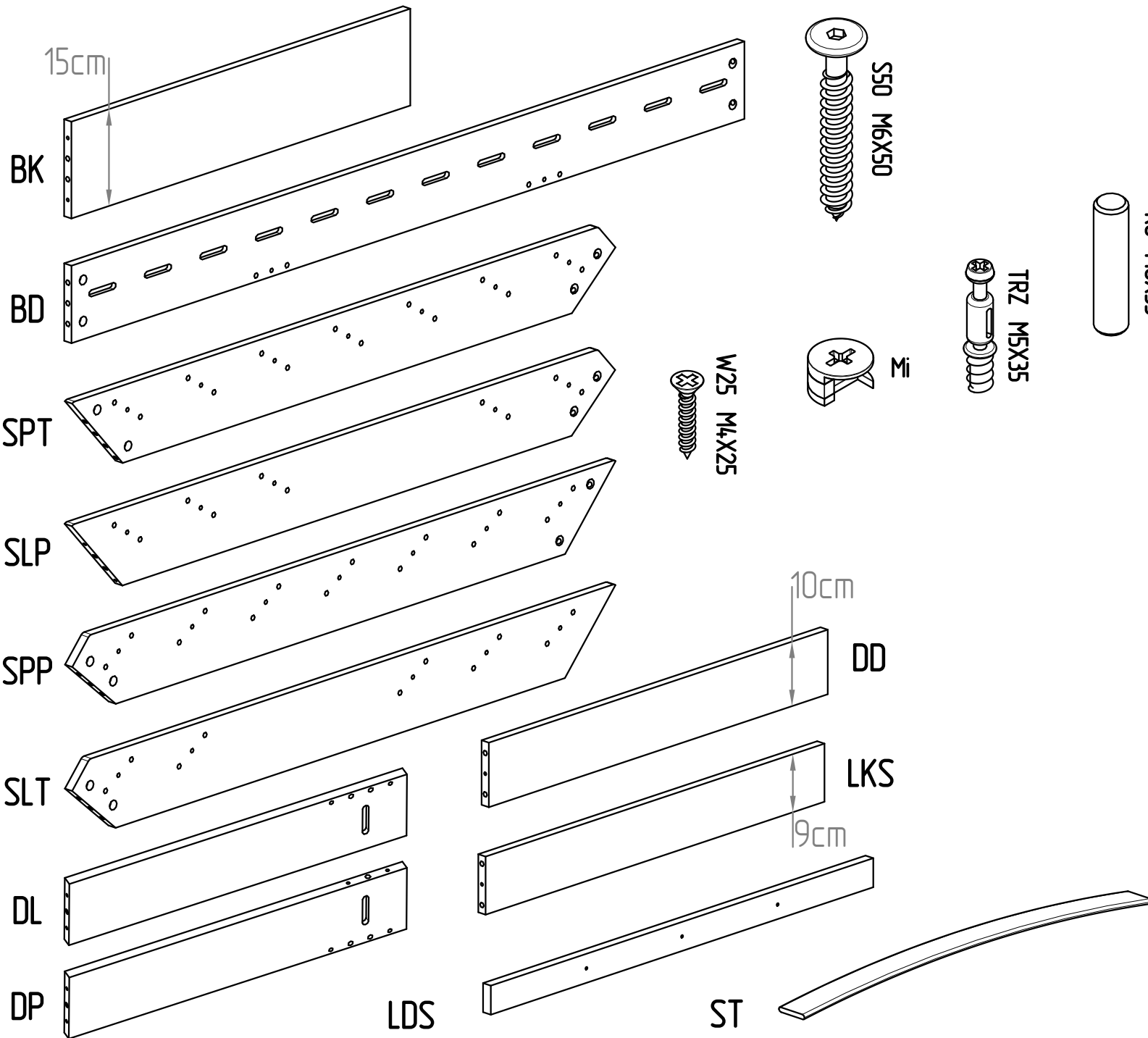


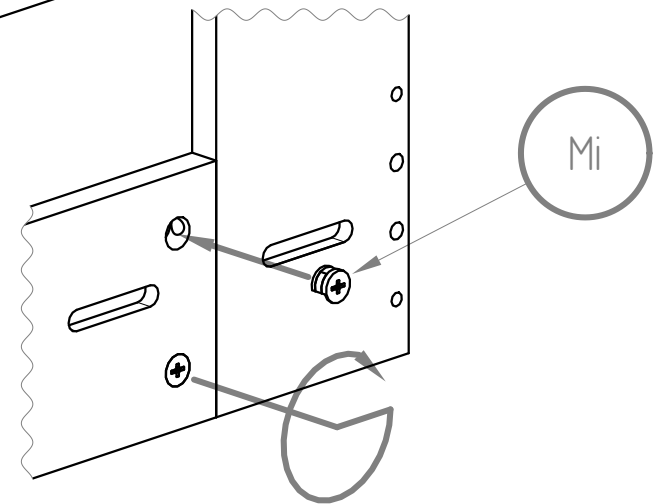
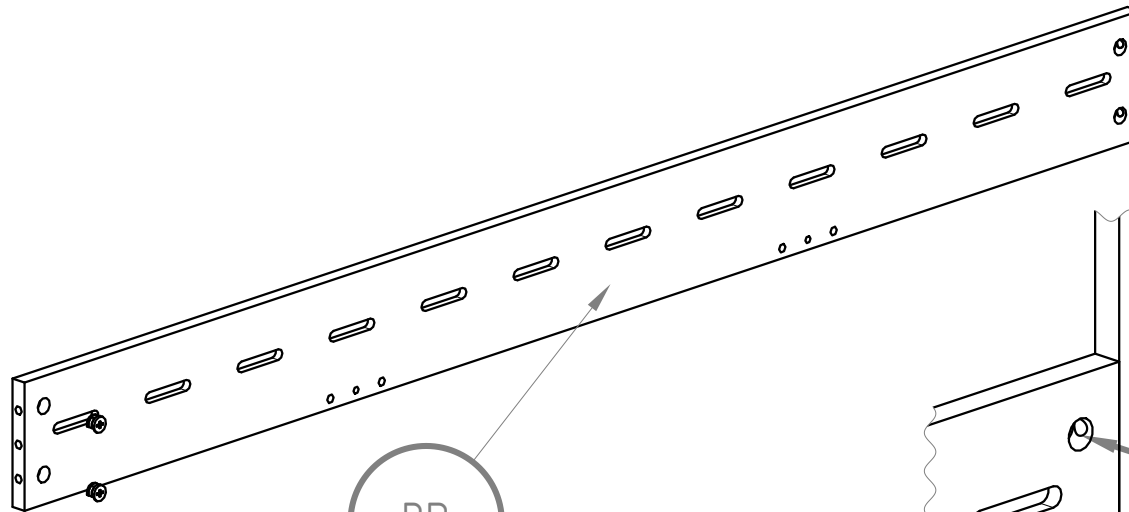
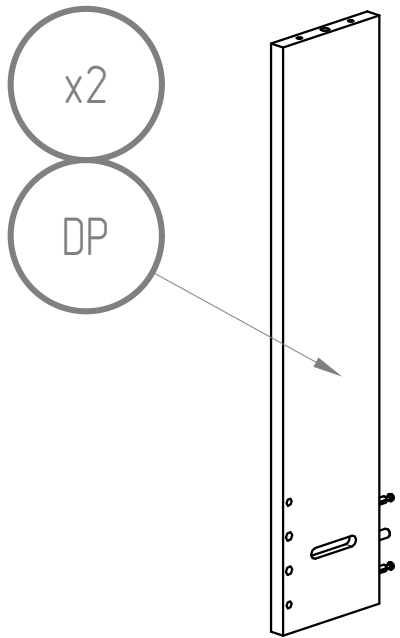
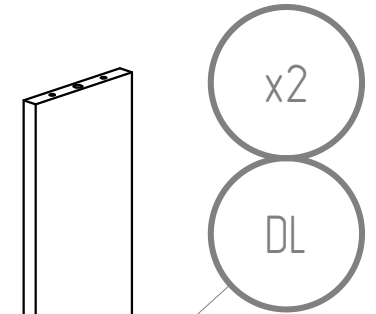
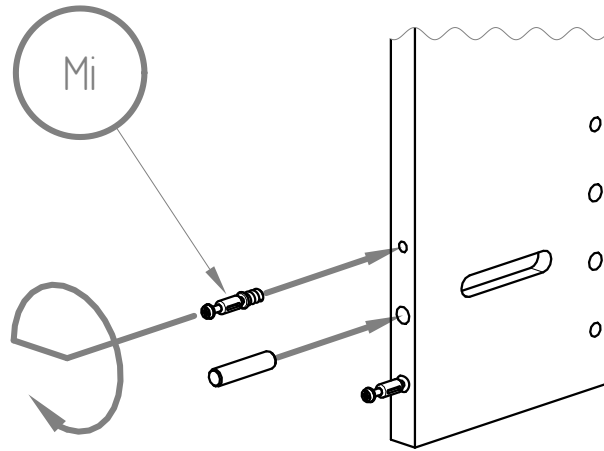
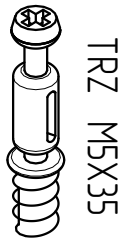
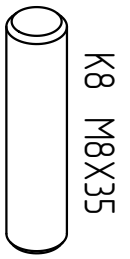
MOON G





SCREWS	
S50	x36
W25	x12
Mi	x20
TRZ	x20
K8	x76

MOON G	
BK	x2
BD	x2
SPT	x1
SLP	x1
SPP	x1
SLT	x1
DL	x2
DP	x2
DD	x12
LKS	x2
LDS	x4
ST	x12-16





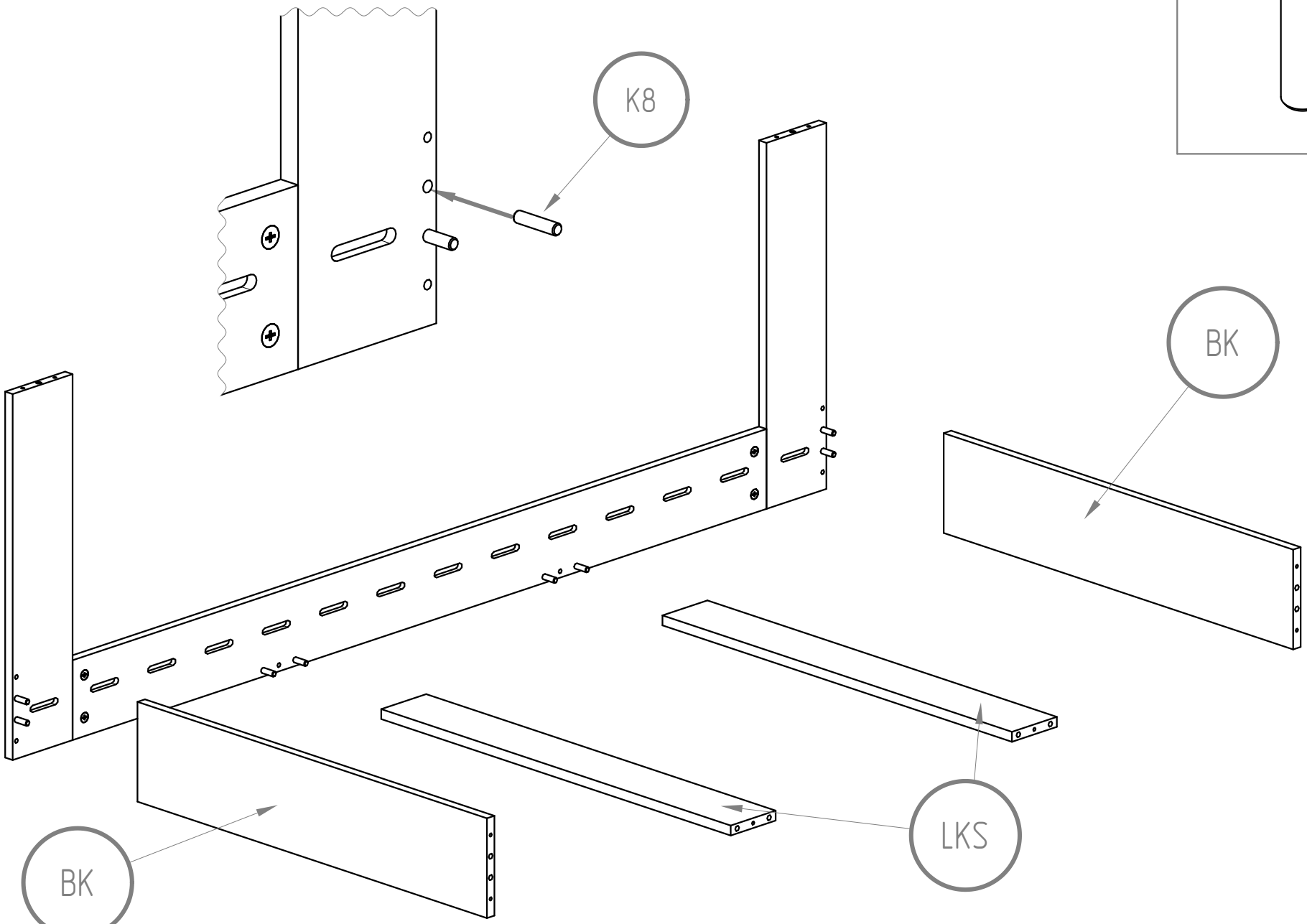
K8 M8X35

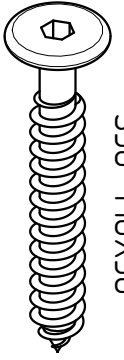
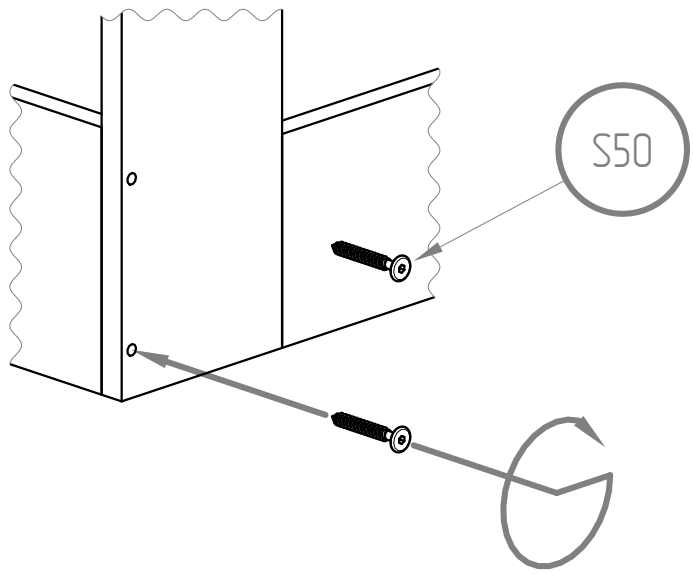
K8

BK

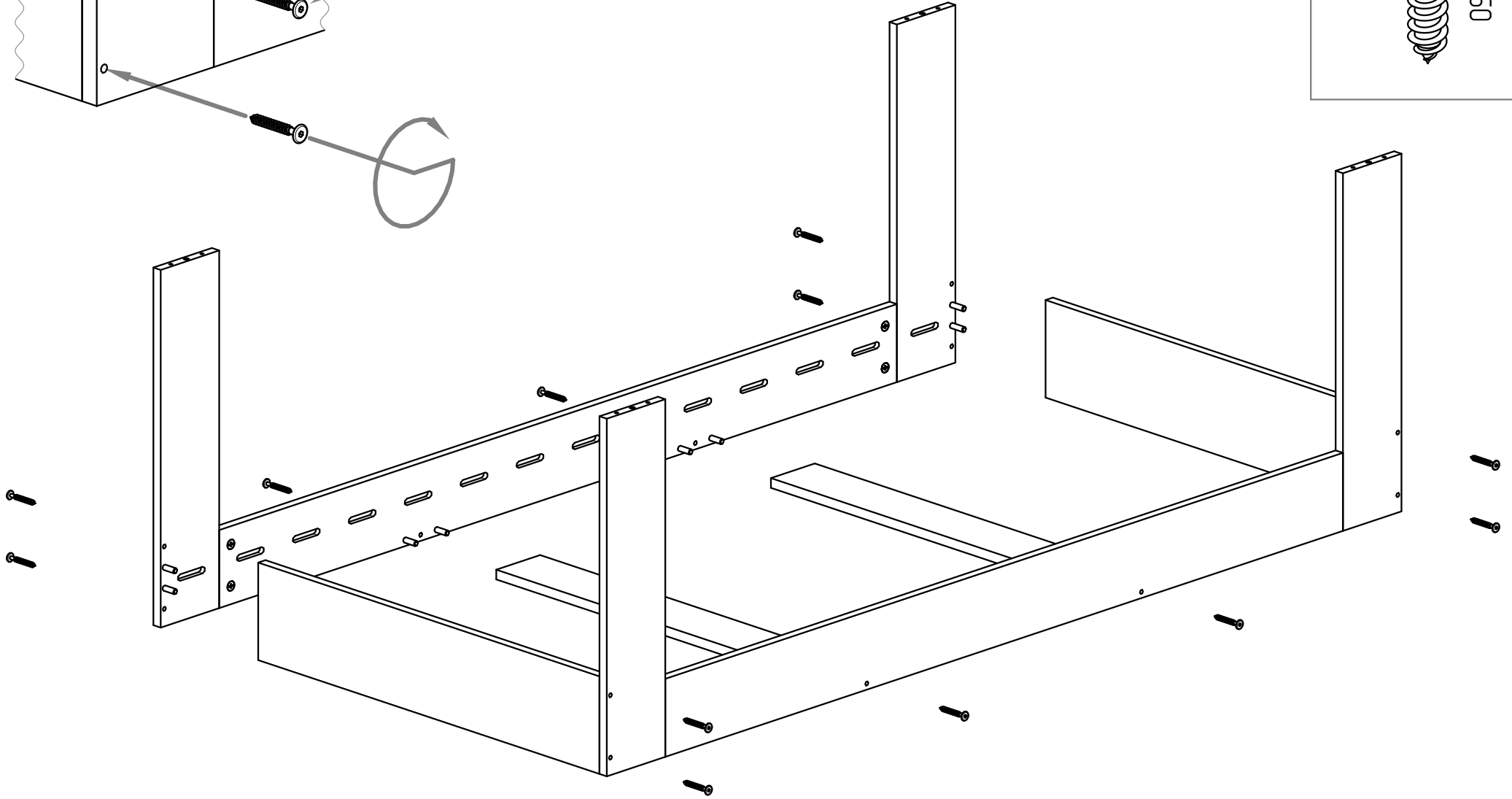
LKS

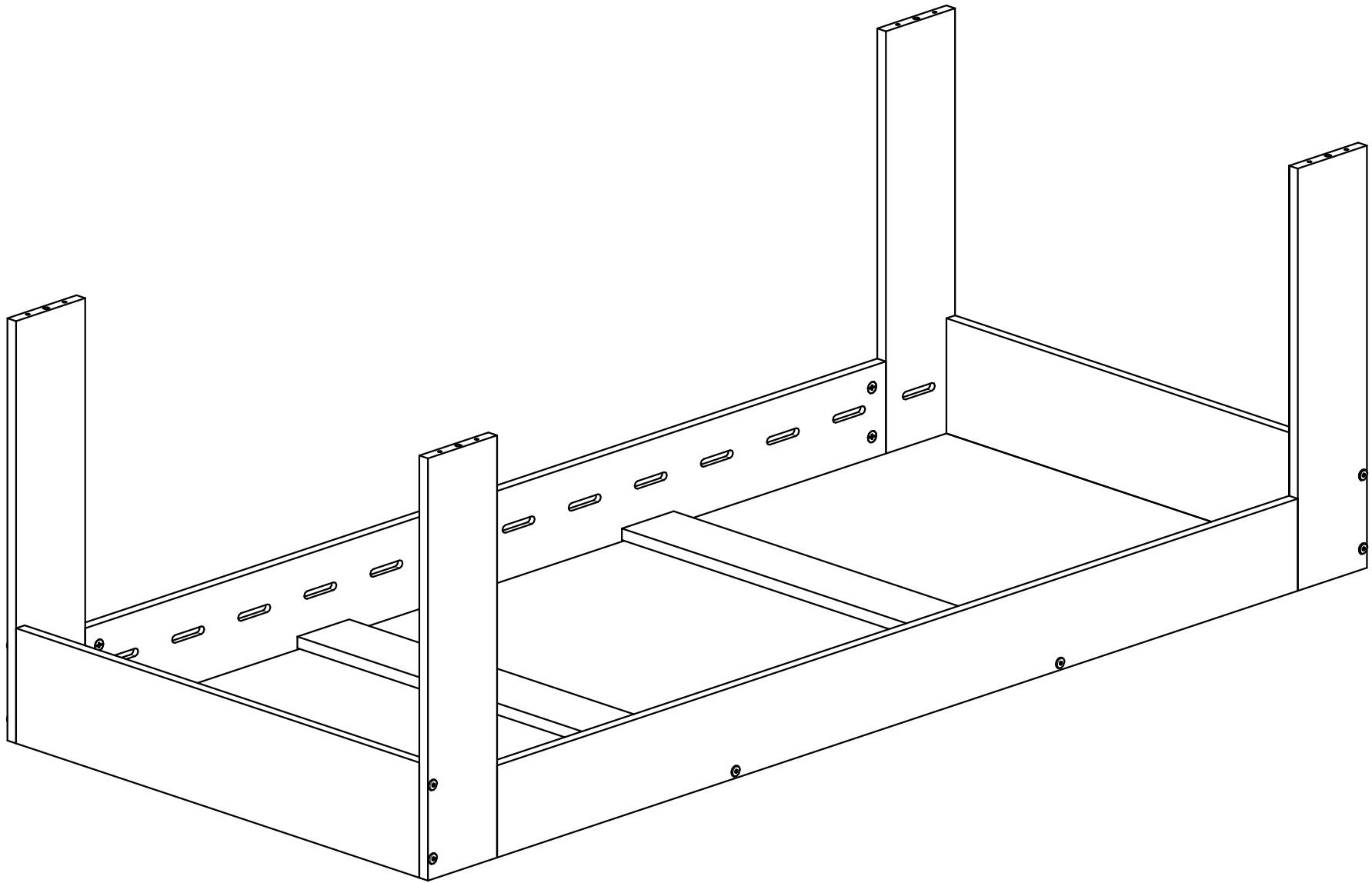
BK

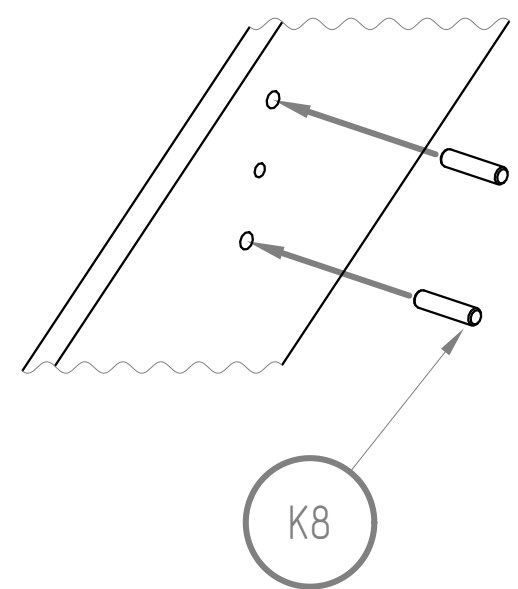
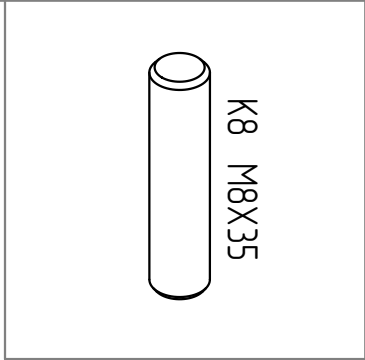
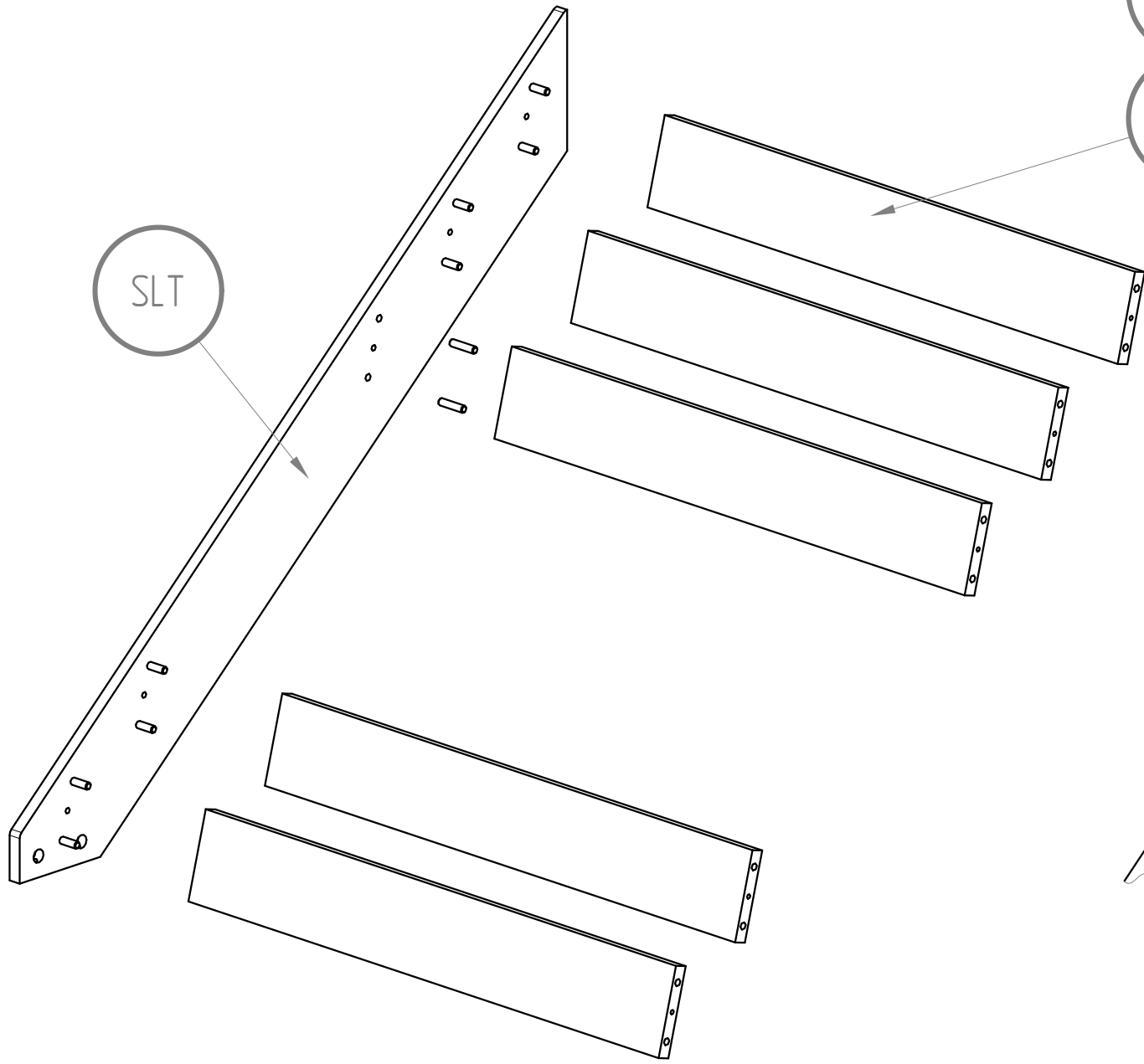


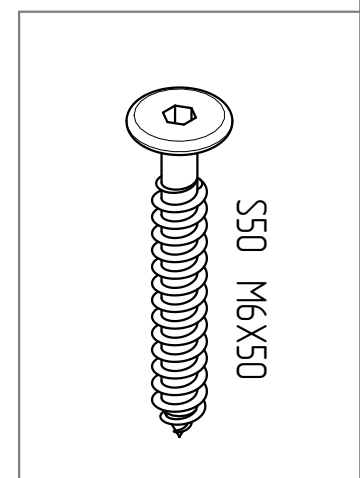
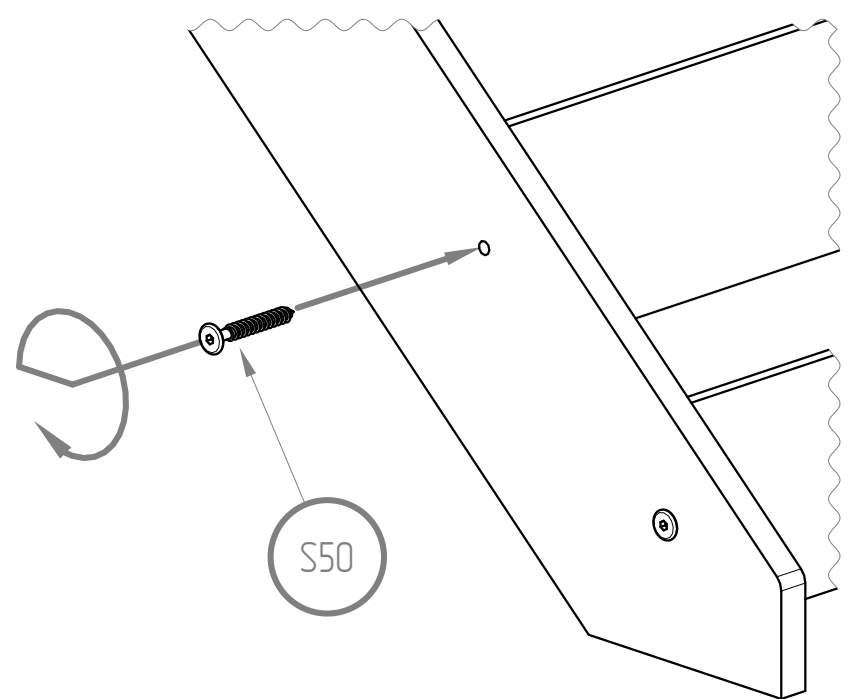
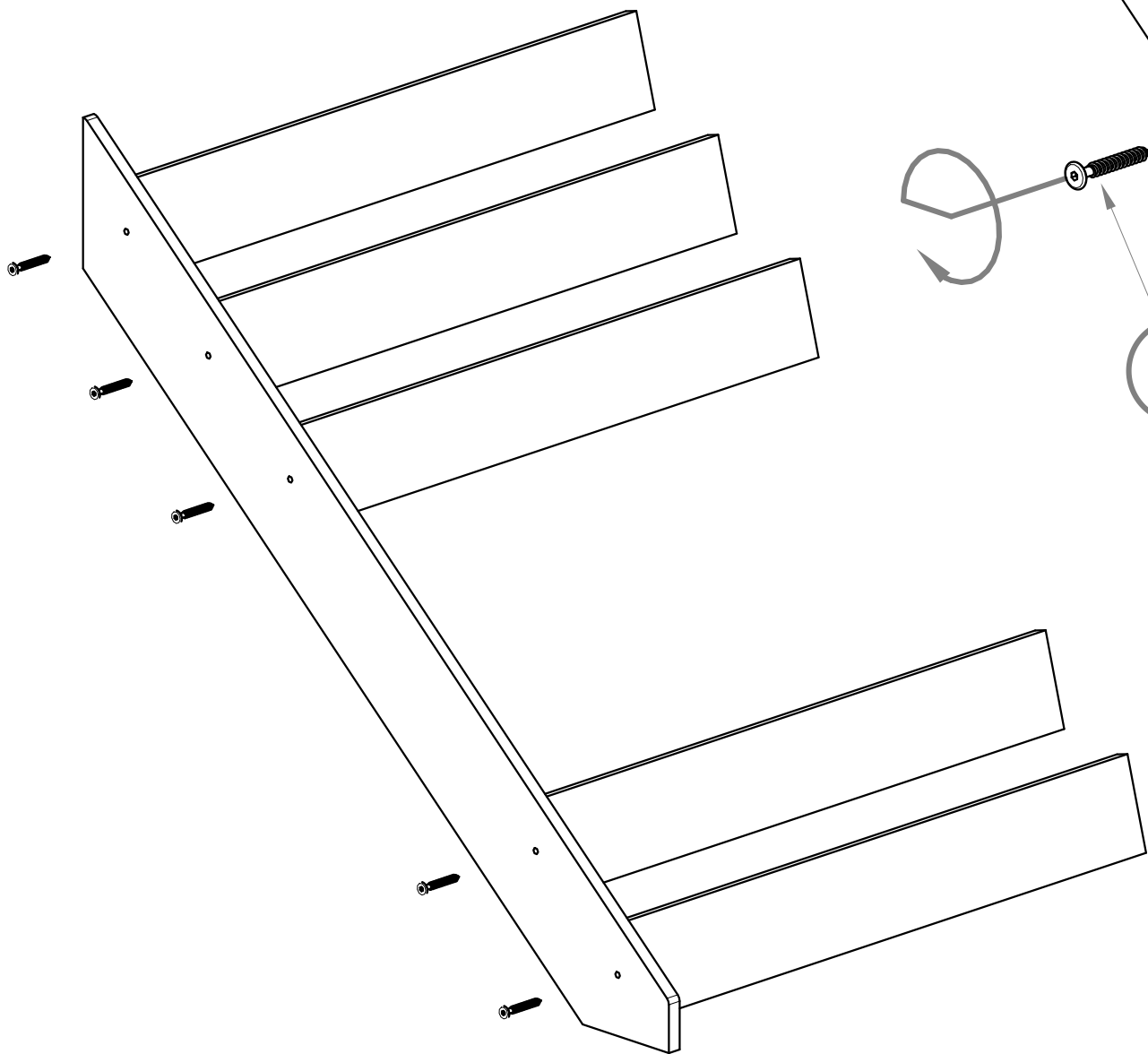


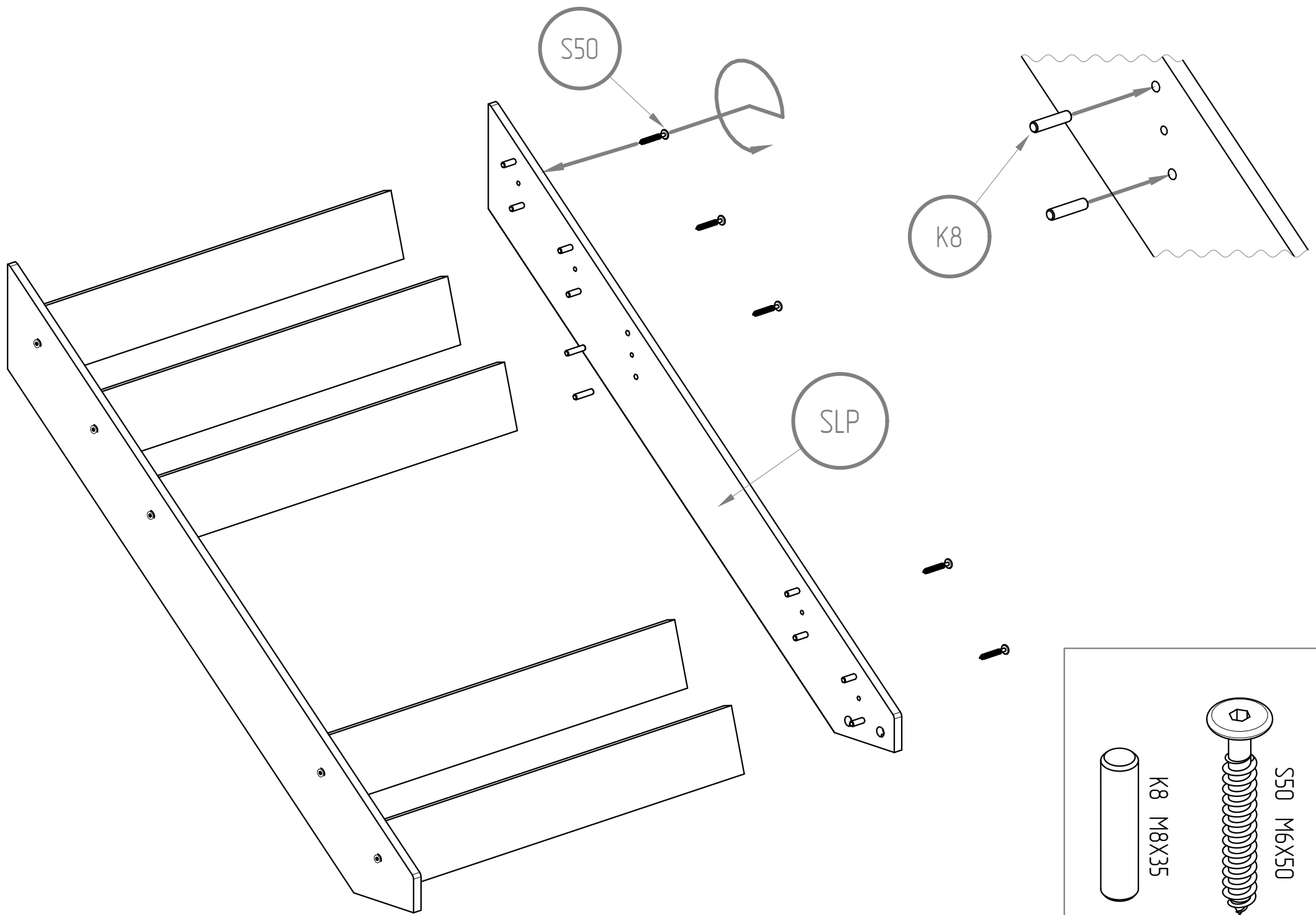
S50 M6X50













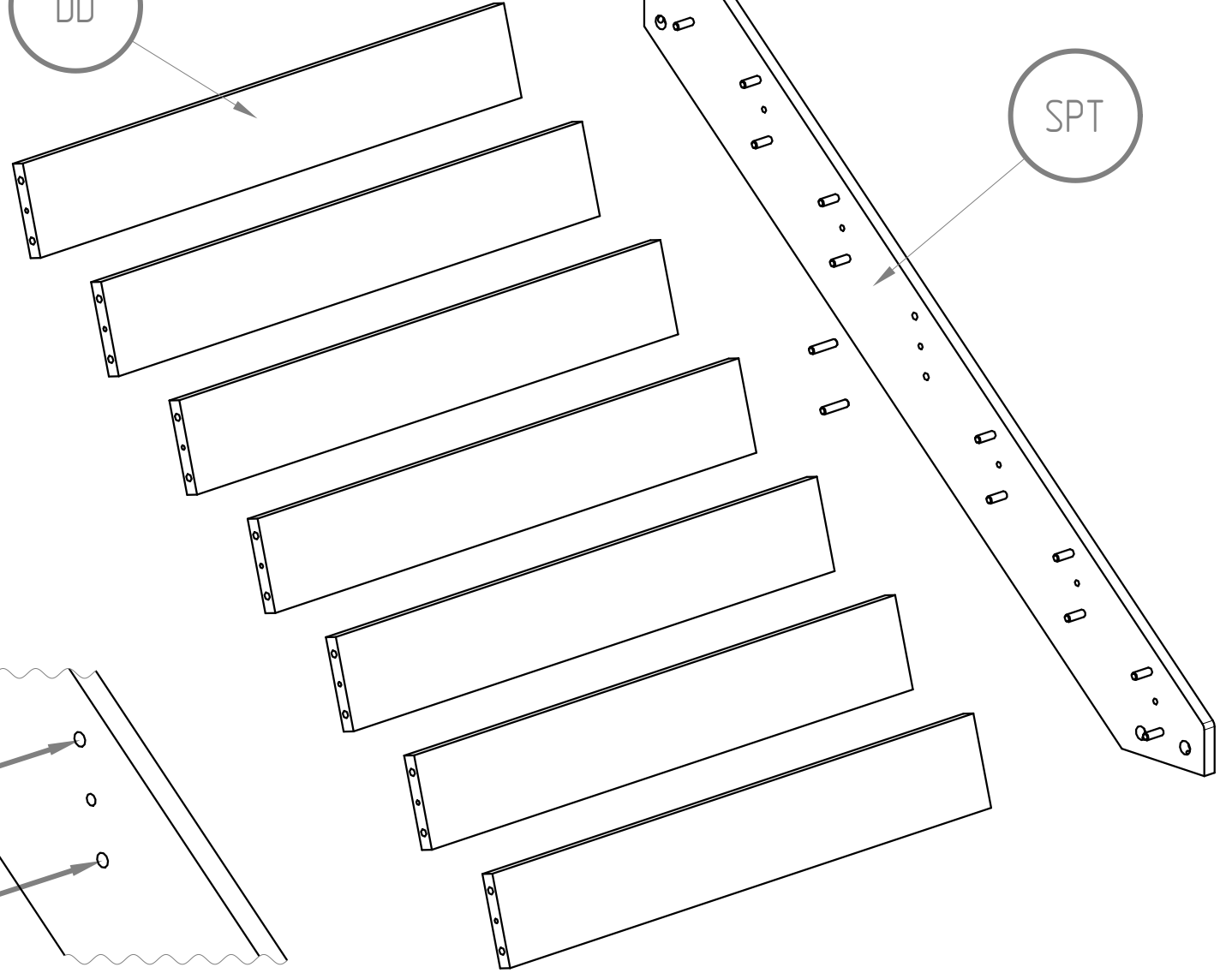
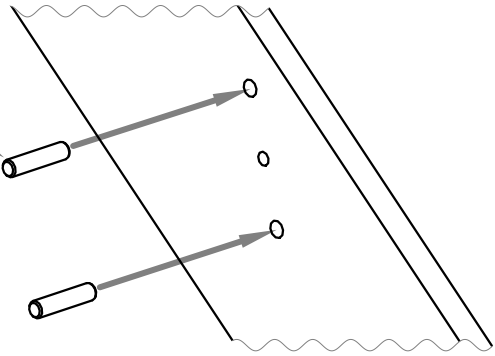
K8 M8X35

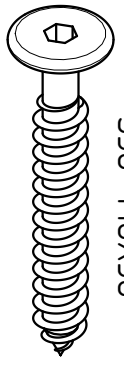
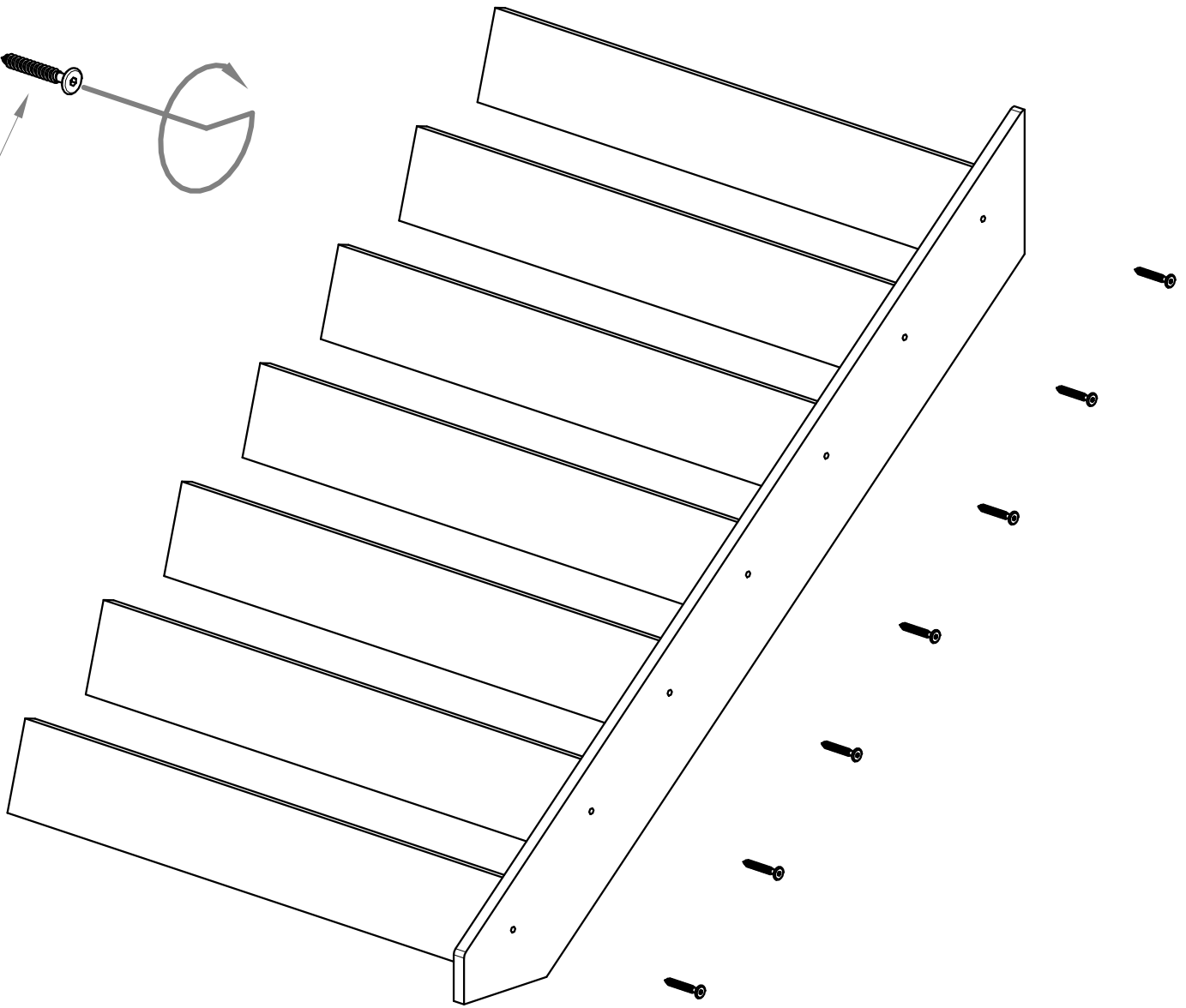
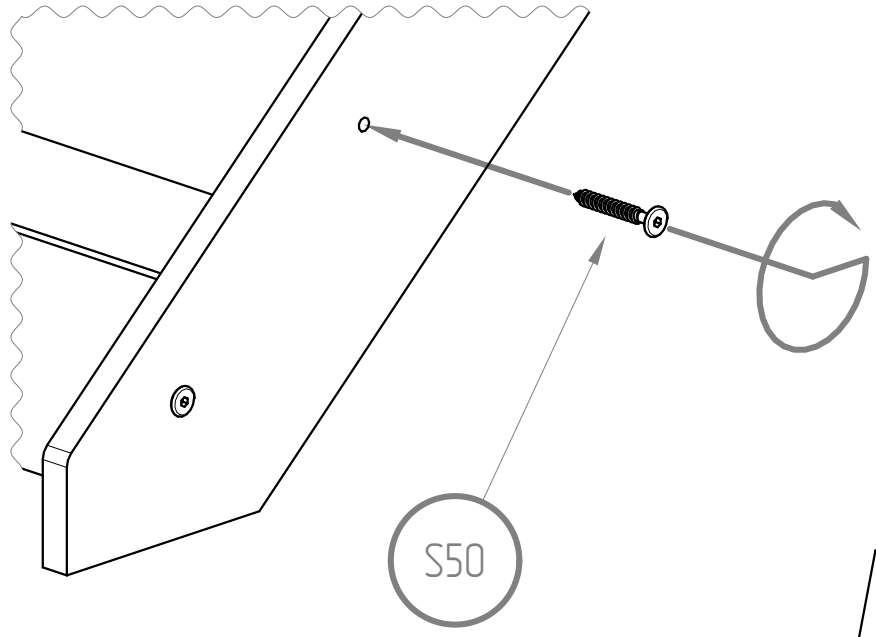
x7

DD

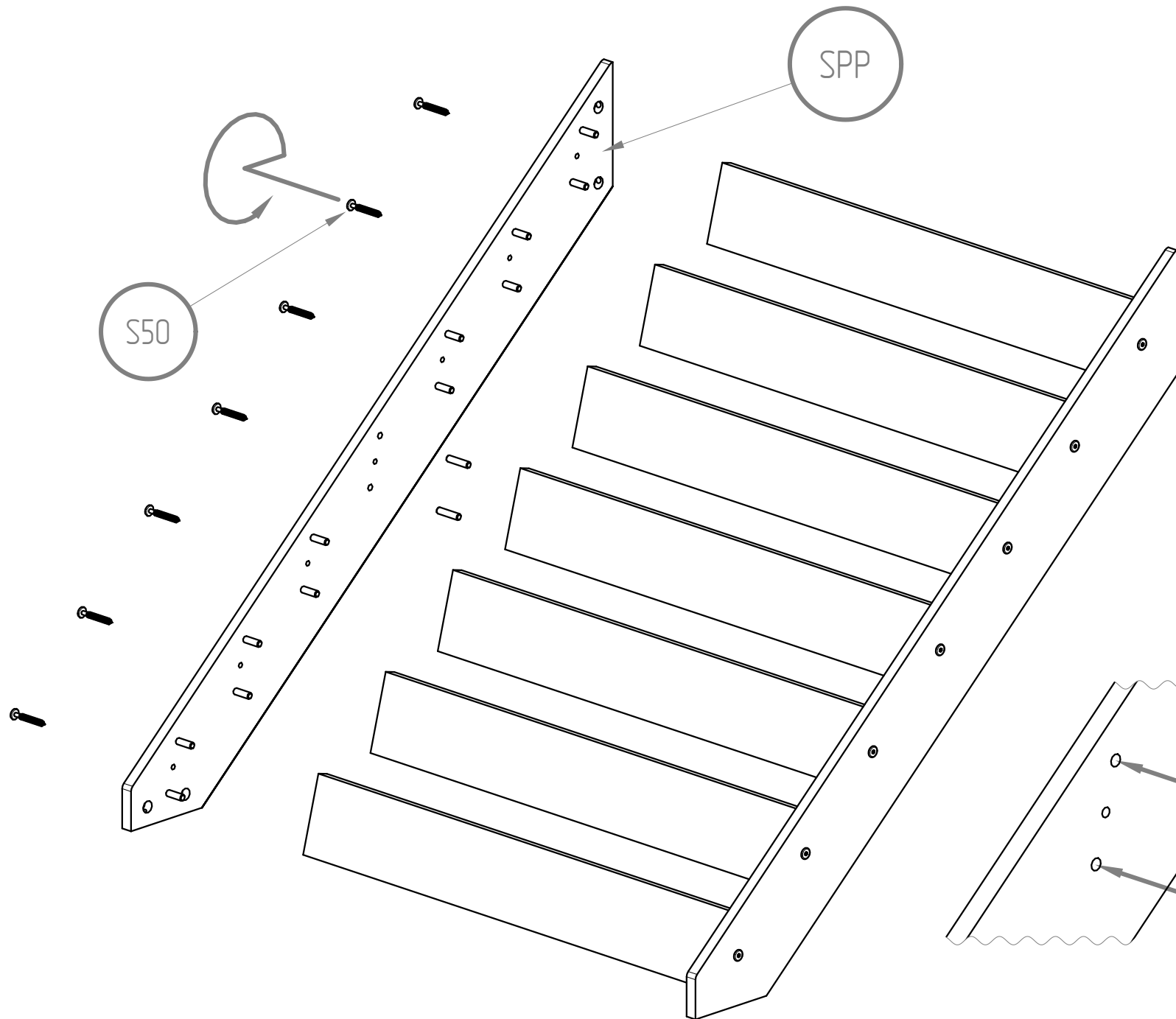
SPT

K8

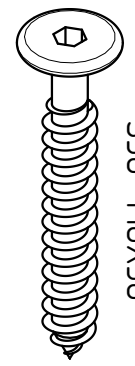




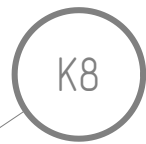
S50 M6X50



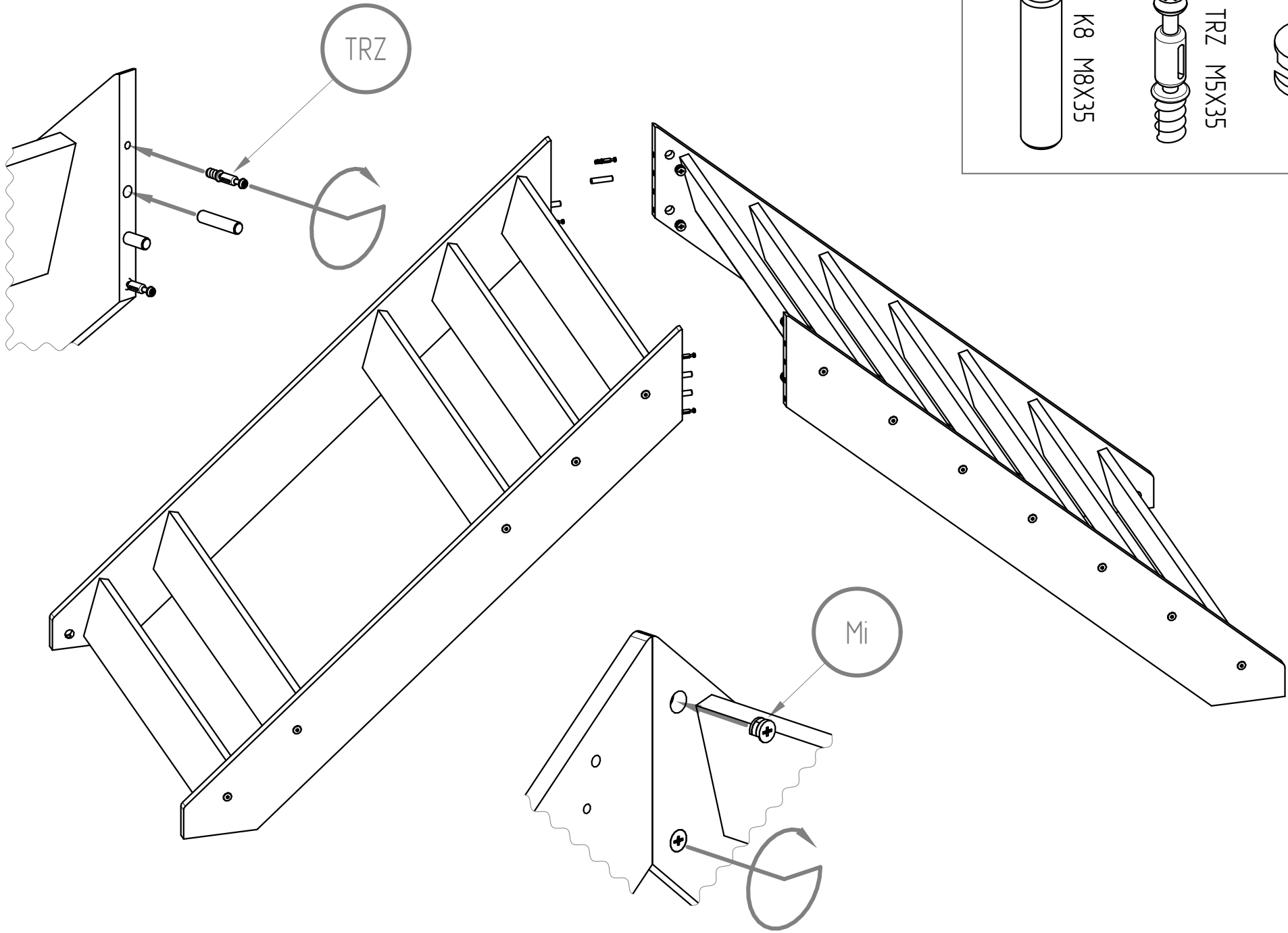
K8 M8X35



S50 M6X50



K8



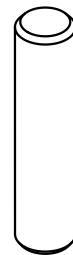
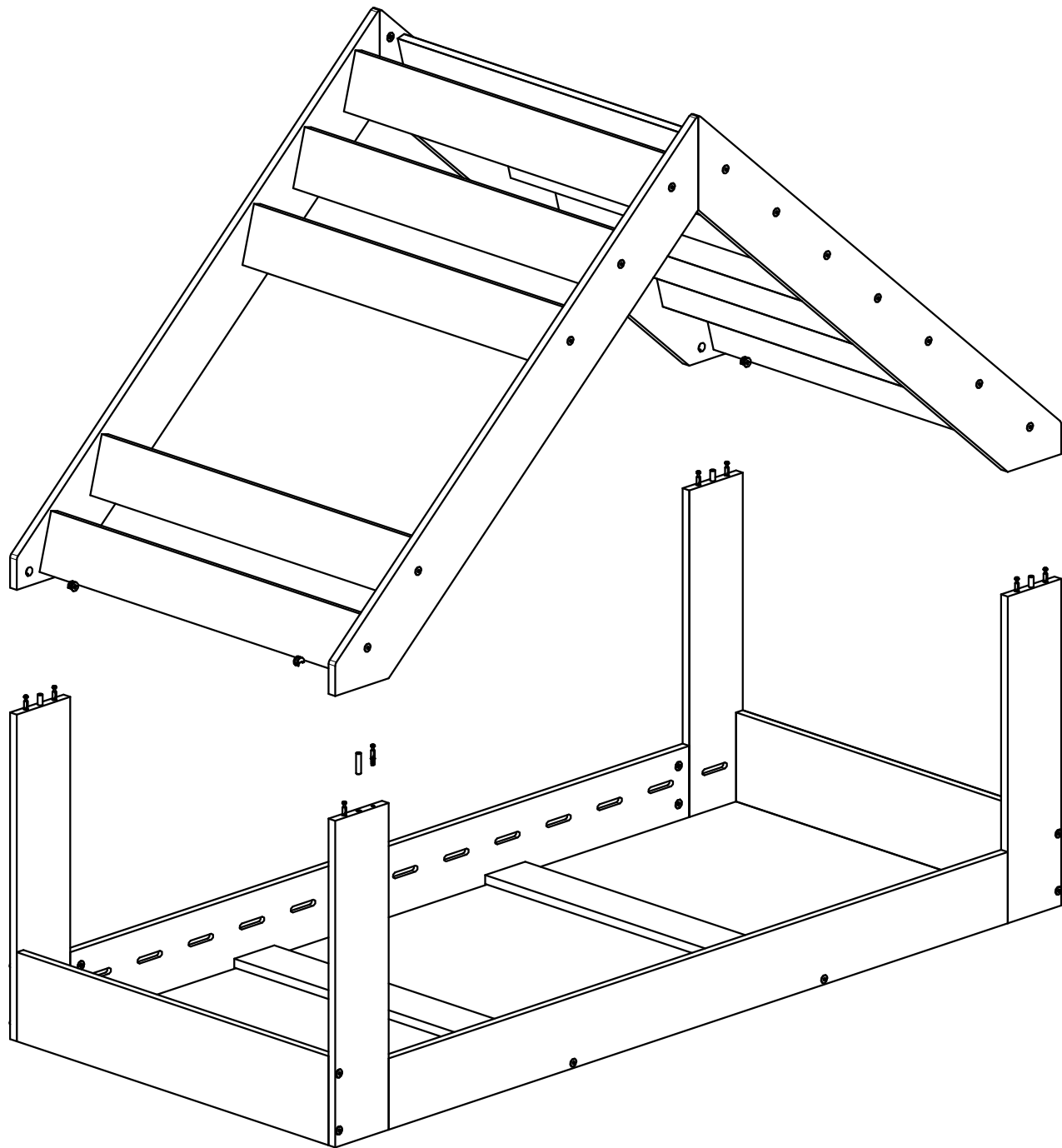
K8 M8X35



TRZ M5X35



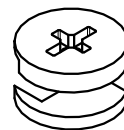
Mi



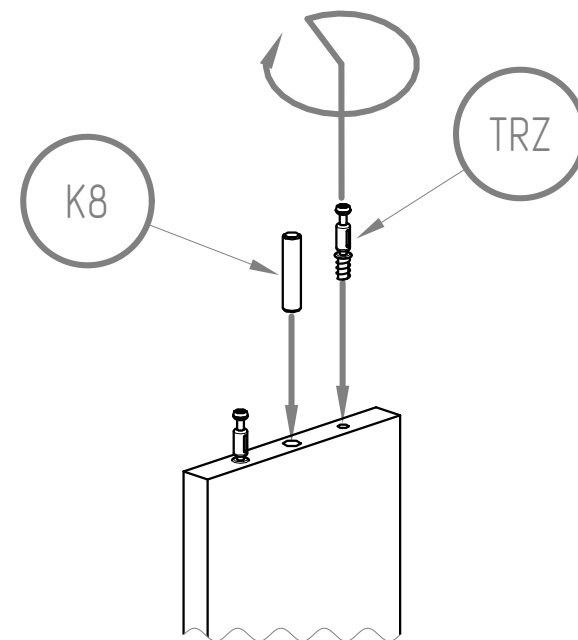
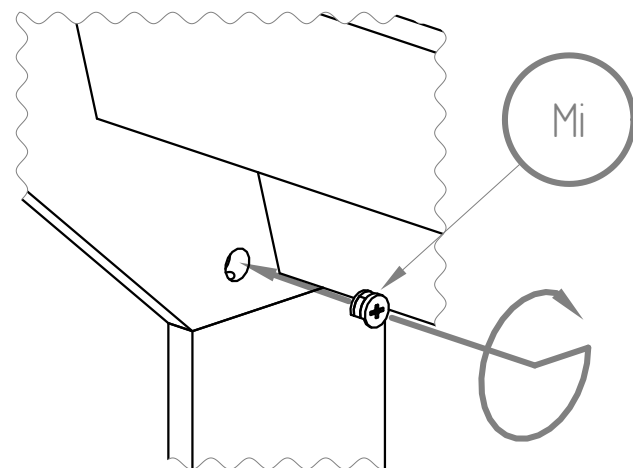
K8 M8X35

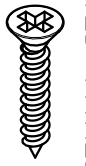


TRZ M5X35

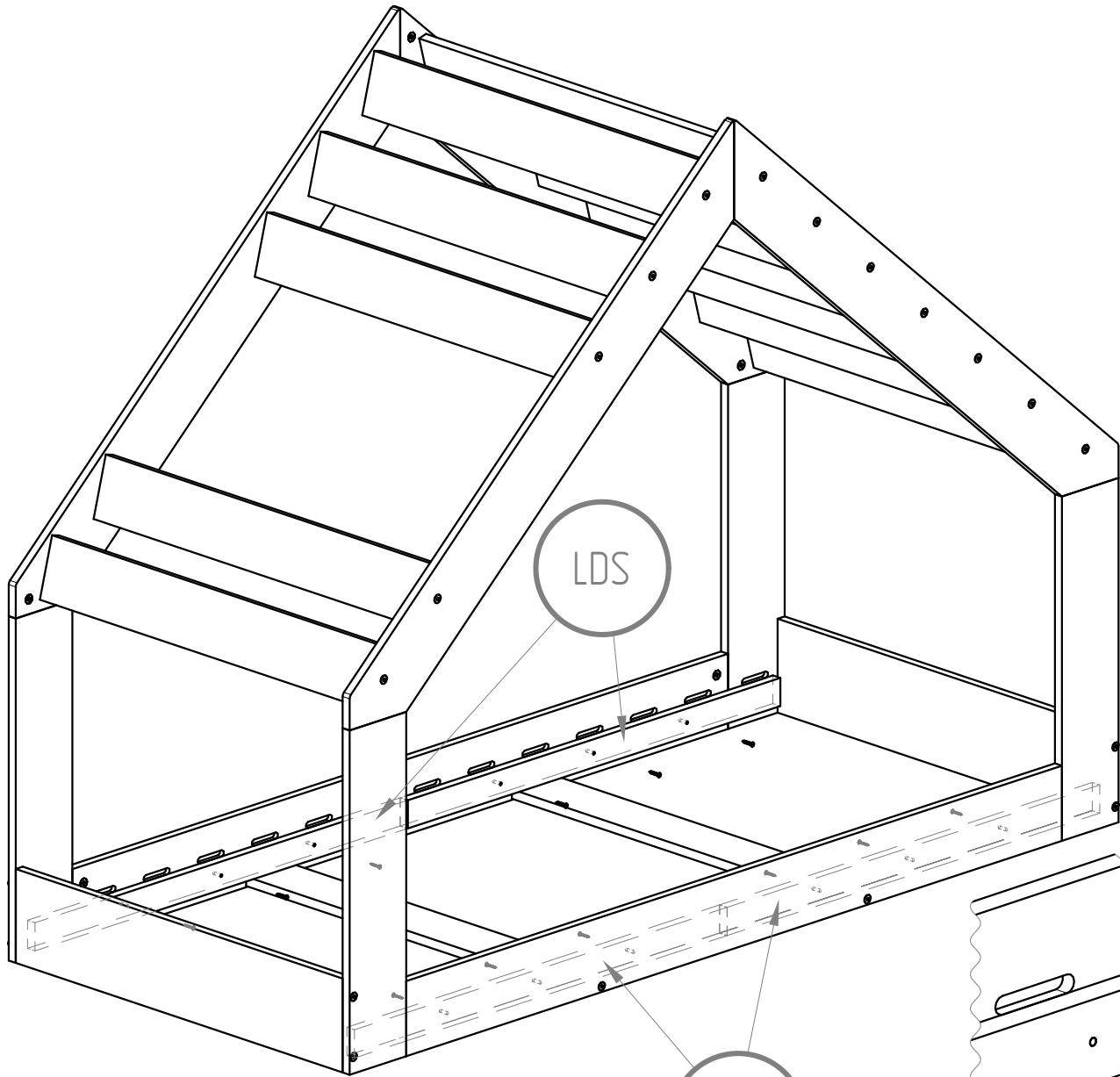


Mi



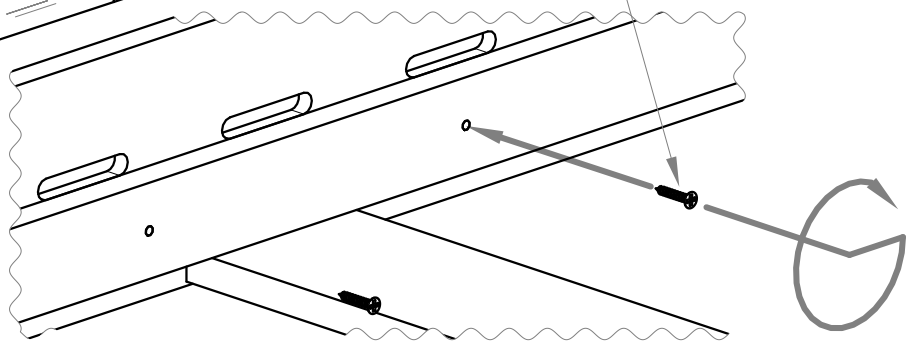


W25 M4X25



LDS

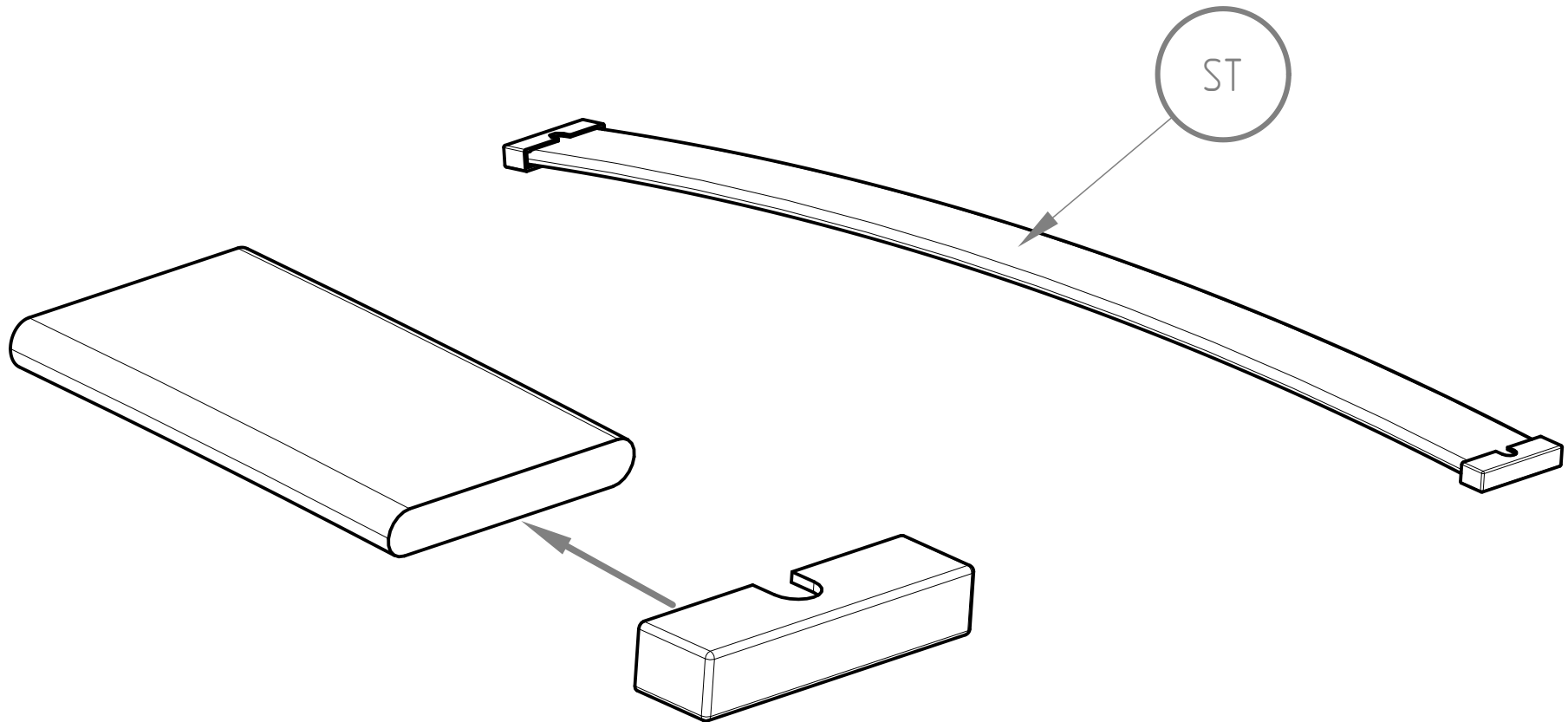
LDS

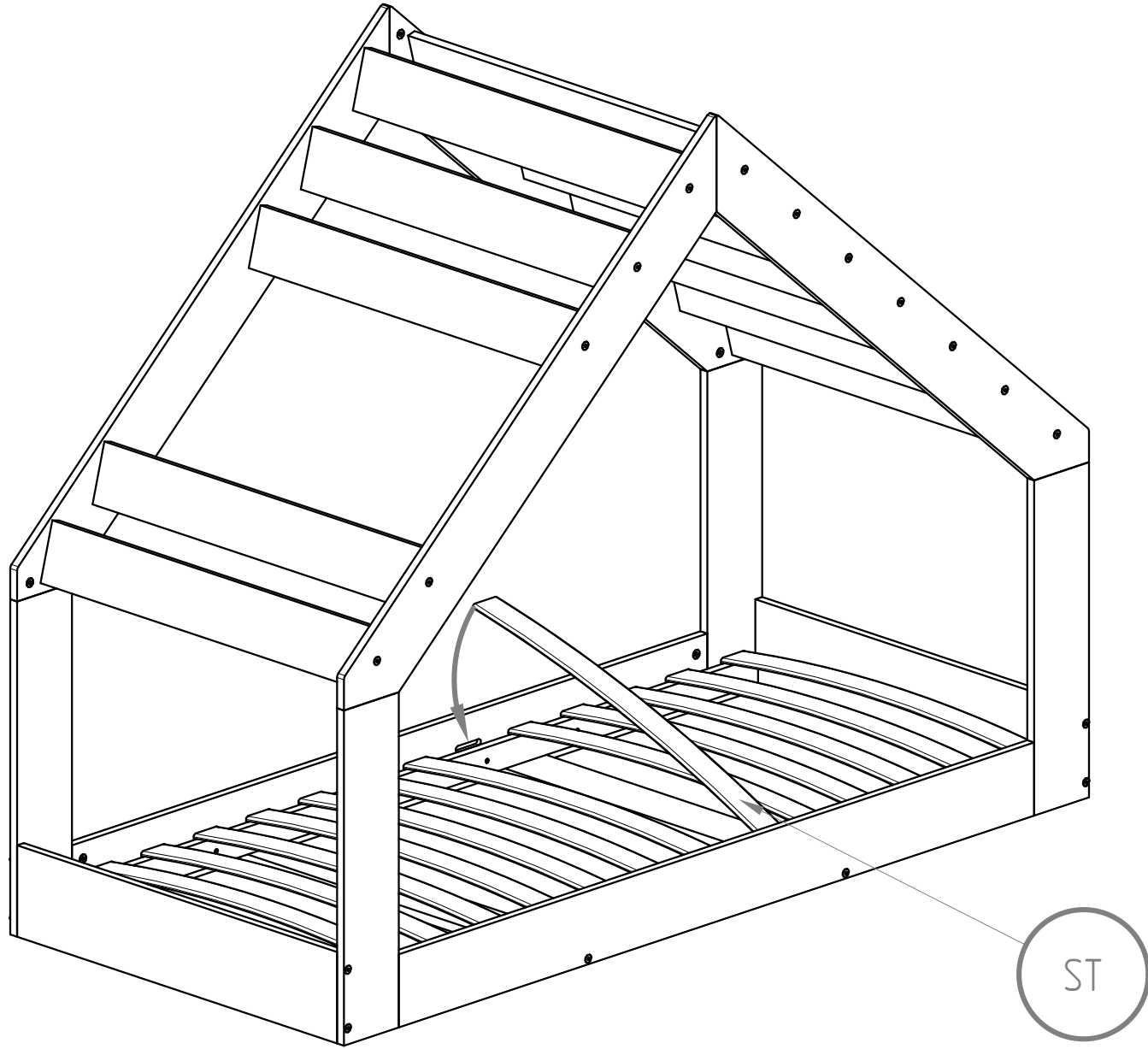


W25

Important!

Install the plastic caps before assembling the ST spring slats to the bed frame.





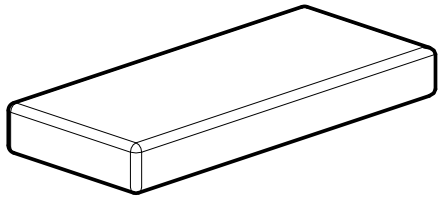


Beds are for sleeping,
not for jumping

Prohibit more than
one person on bed



IMPORTANT



Use only mattresses
with thickness of 8–12 cm



Bed parts have 2 years
warranty in normal use

Wooden parts should be cleaned with a dry cloth and ordinary
mild detergents for the care and cleaning of wooden parts