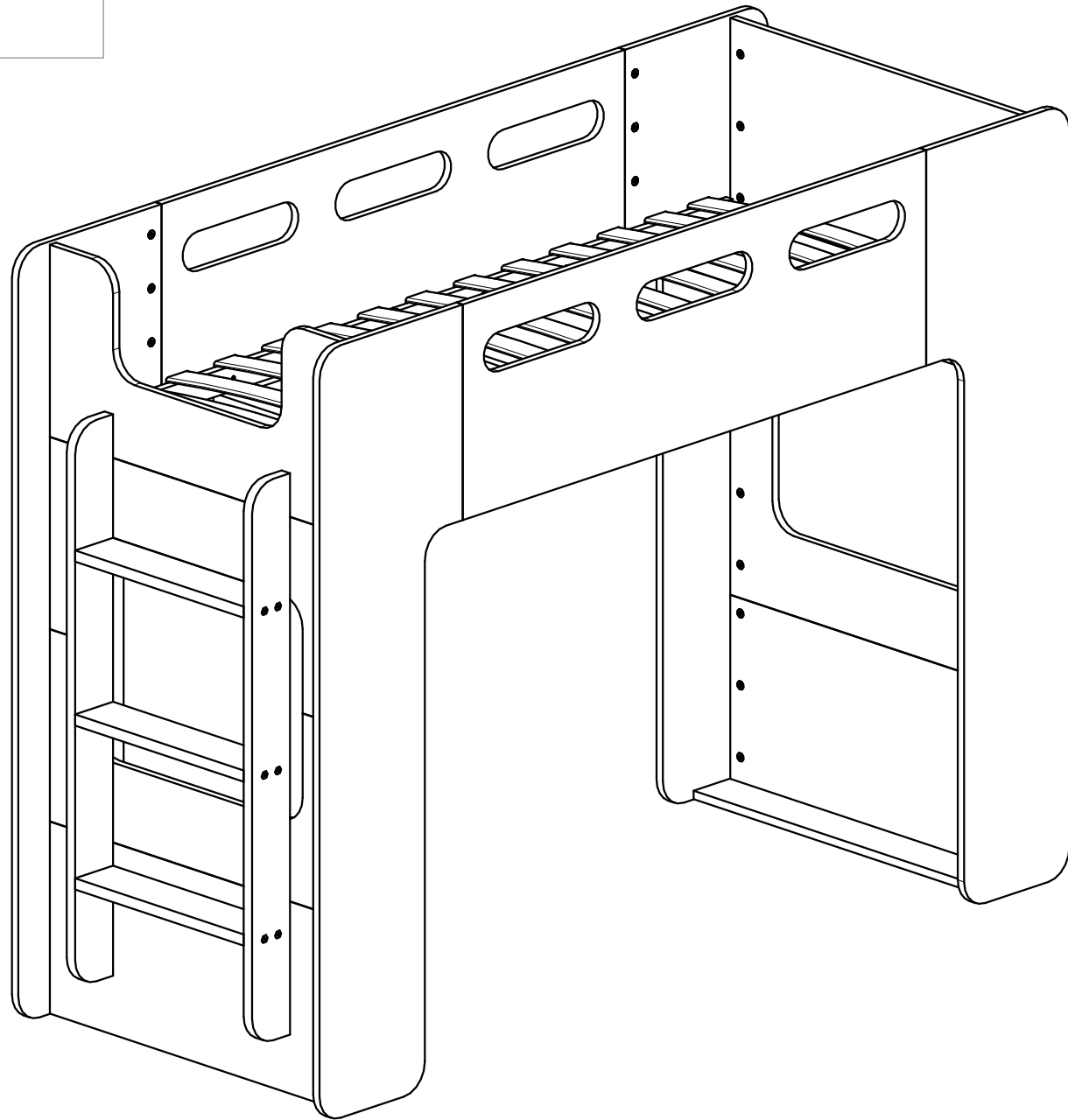
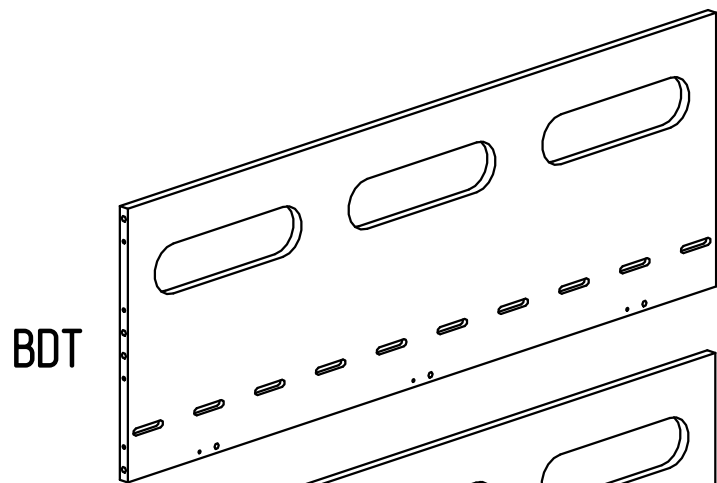
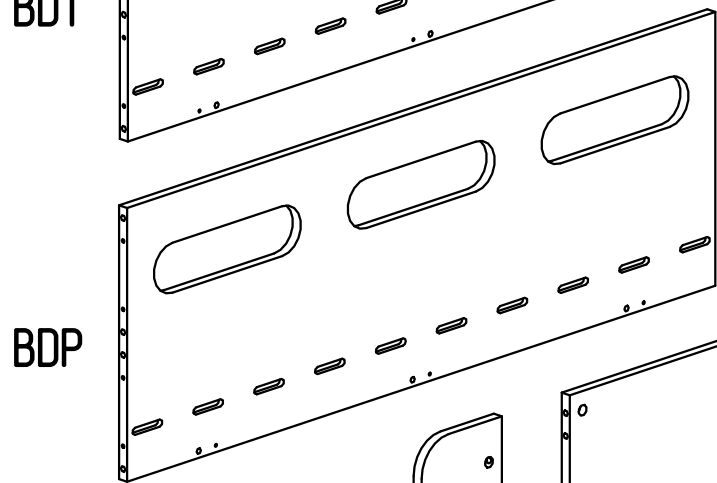


# MIMI A

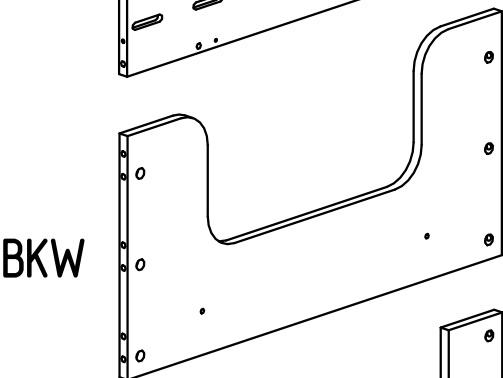




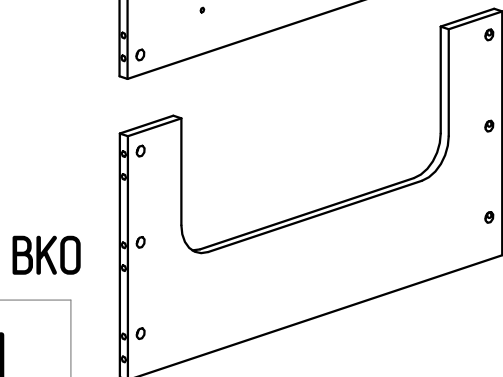
BDT



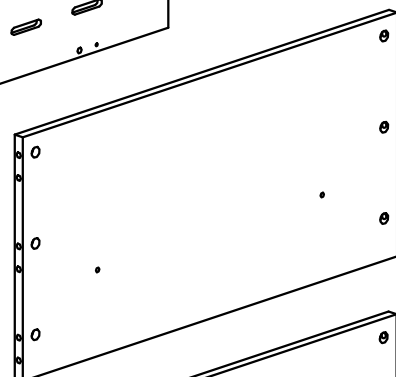
BDP



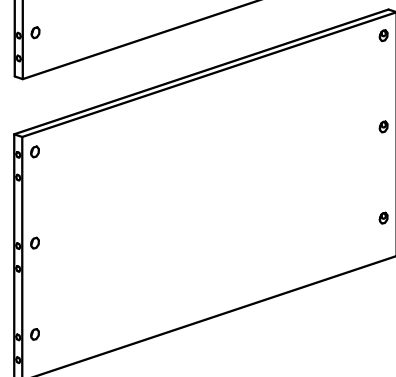
BKW



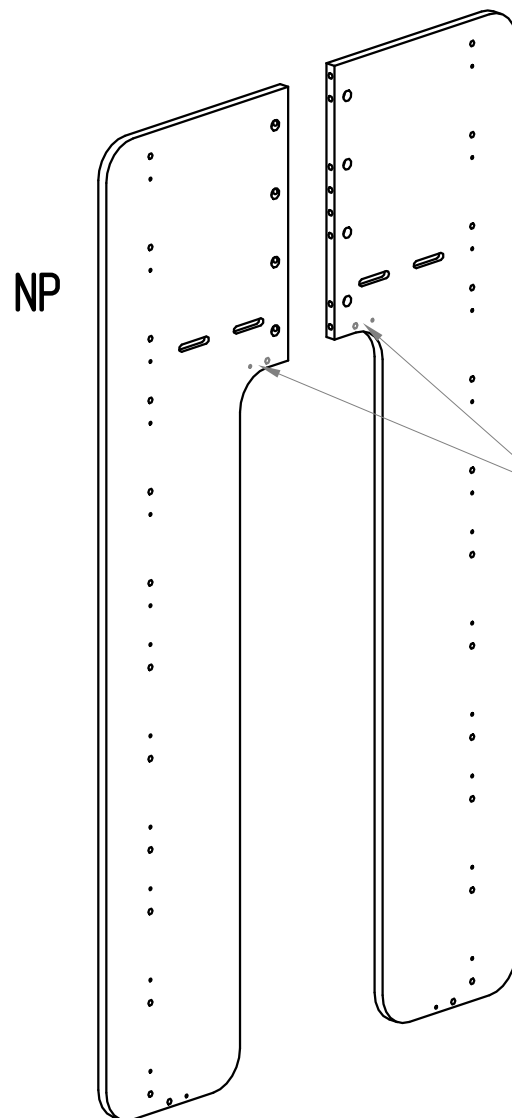
BKO



BKZ



BKP



NP

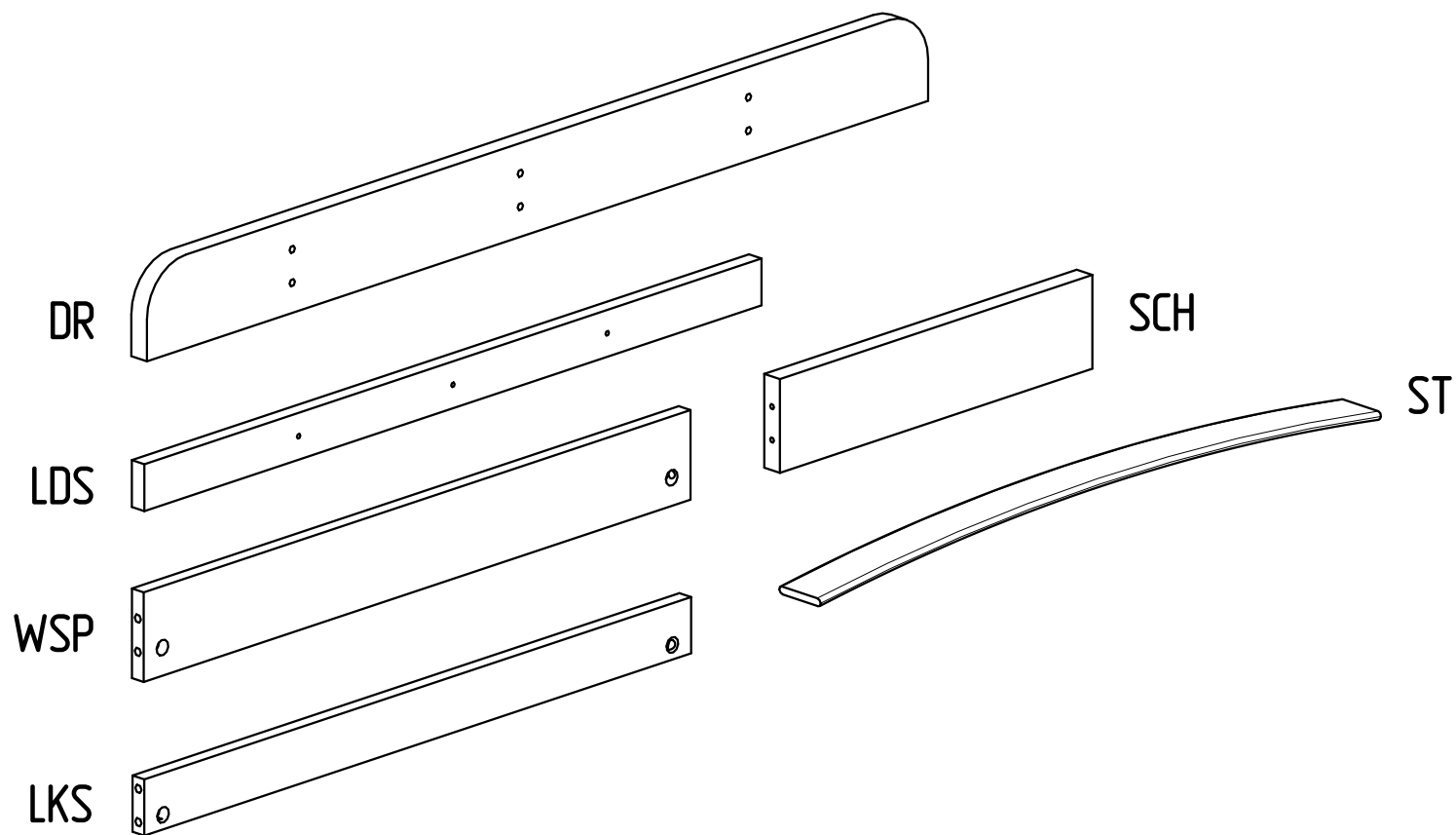
NL

These holes  
only for size 100cm

### MIMI A

|     |    |
|-----|----|
| BDT | x1 |
| BDP | x1 |
| BKW | x1 |
| BKO | x4 |
| BKZ | x1 |
| BKP | x2 |
| NP  | x2 |
| NL  | x2 |

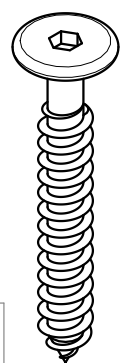
1



| MIMI A |        |
|--------|--------|
| DR     | x2     |
| LDS    | x4     |
| WSP    | x2     |
| LKS*   | x3/x5  |
| SCH    | x3     |
| ST     | x12-16 |
| NP     | x2     |
| NL     | x2     |

\*5x LKS – only for size 100

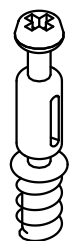
2



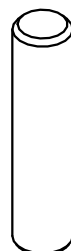
S50 M6X50



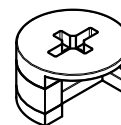
W25 M4X25



TRZ M5X35



K8 M8X35

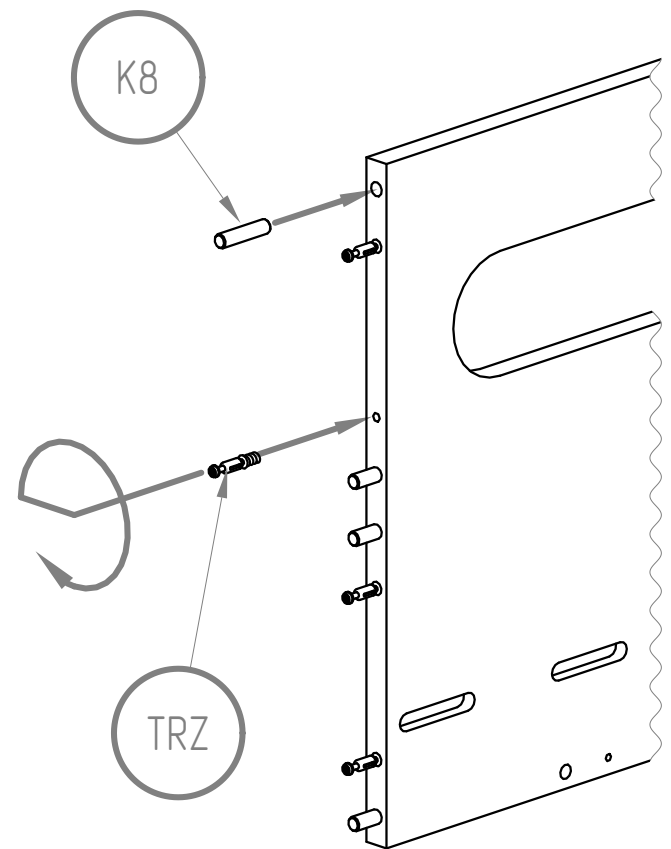
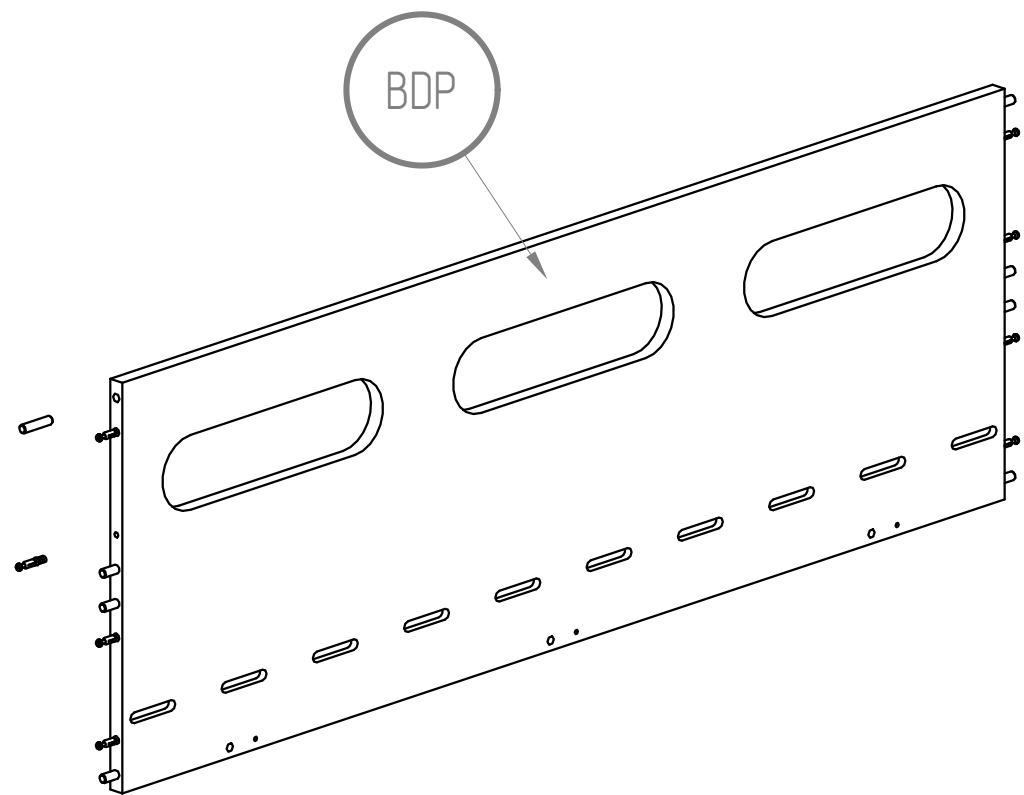
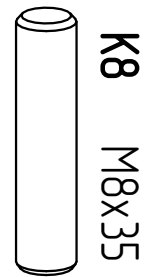
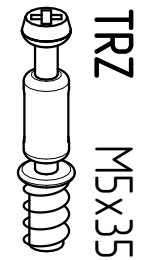


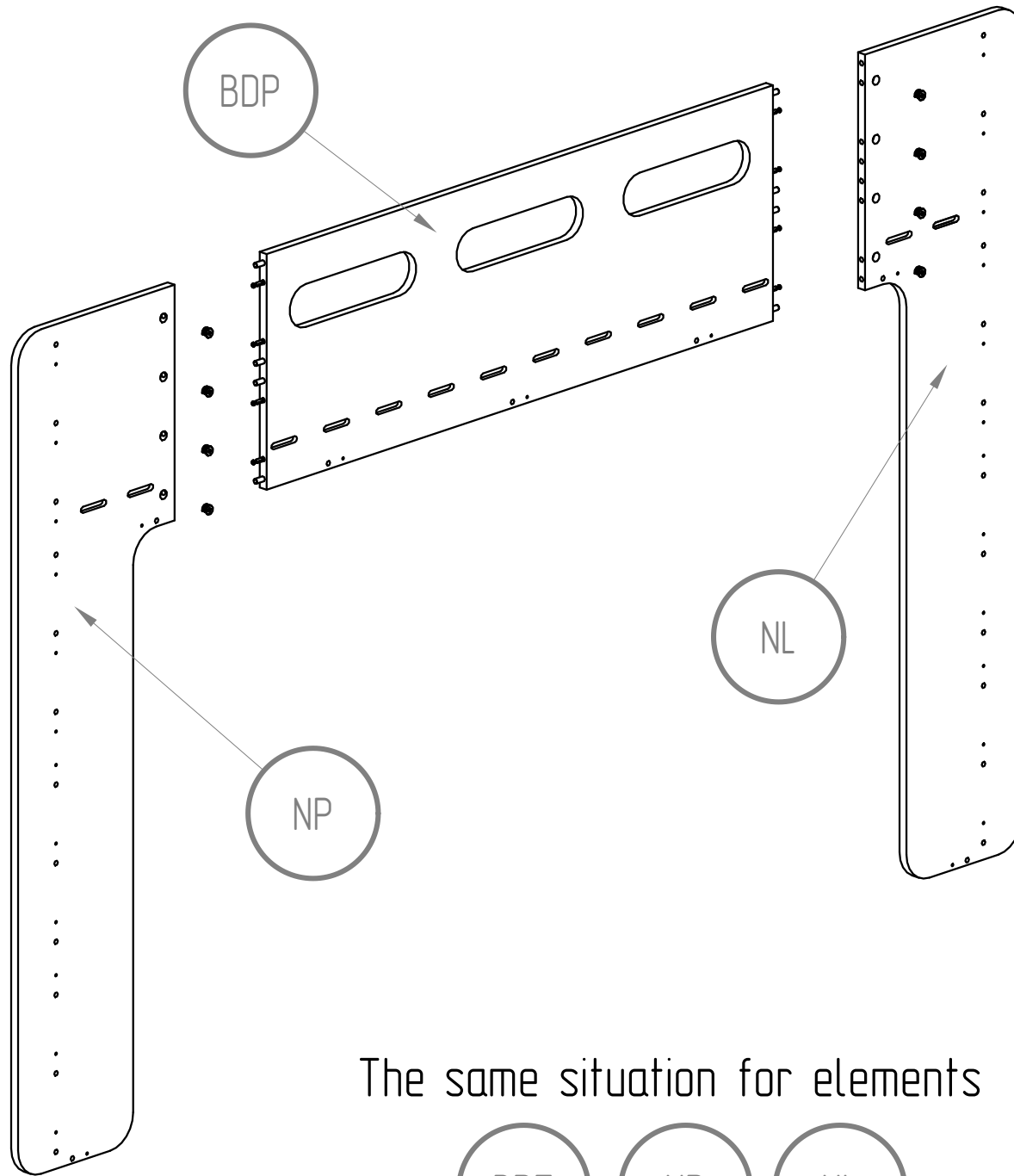
Mi

| SCREWS |     |
|--------|-----|
| S50    | x16 |
| W25    | x12 |
| TRZ    | x74 |
| K8     | x74 |
| Mi     | x74 |

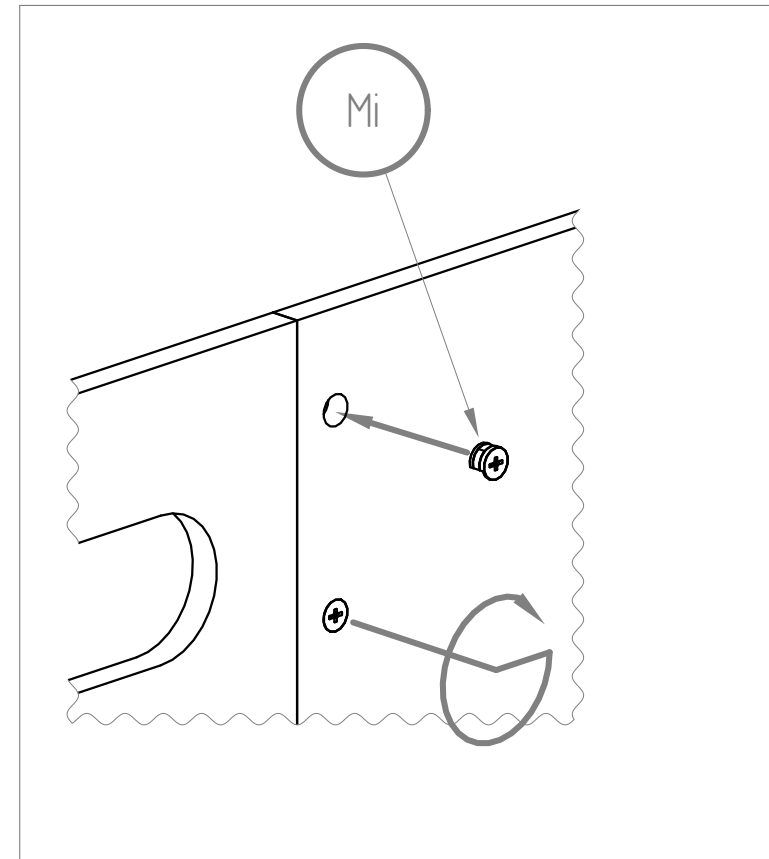
The same situation for element

BDT

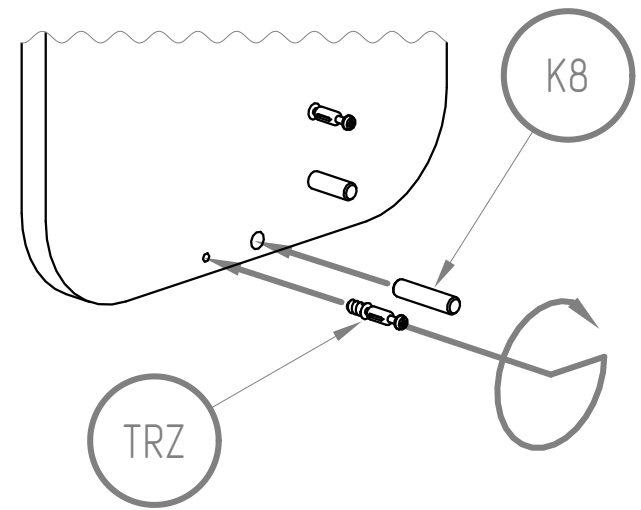
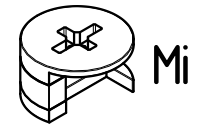
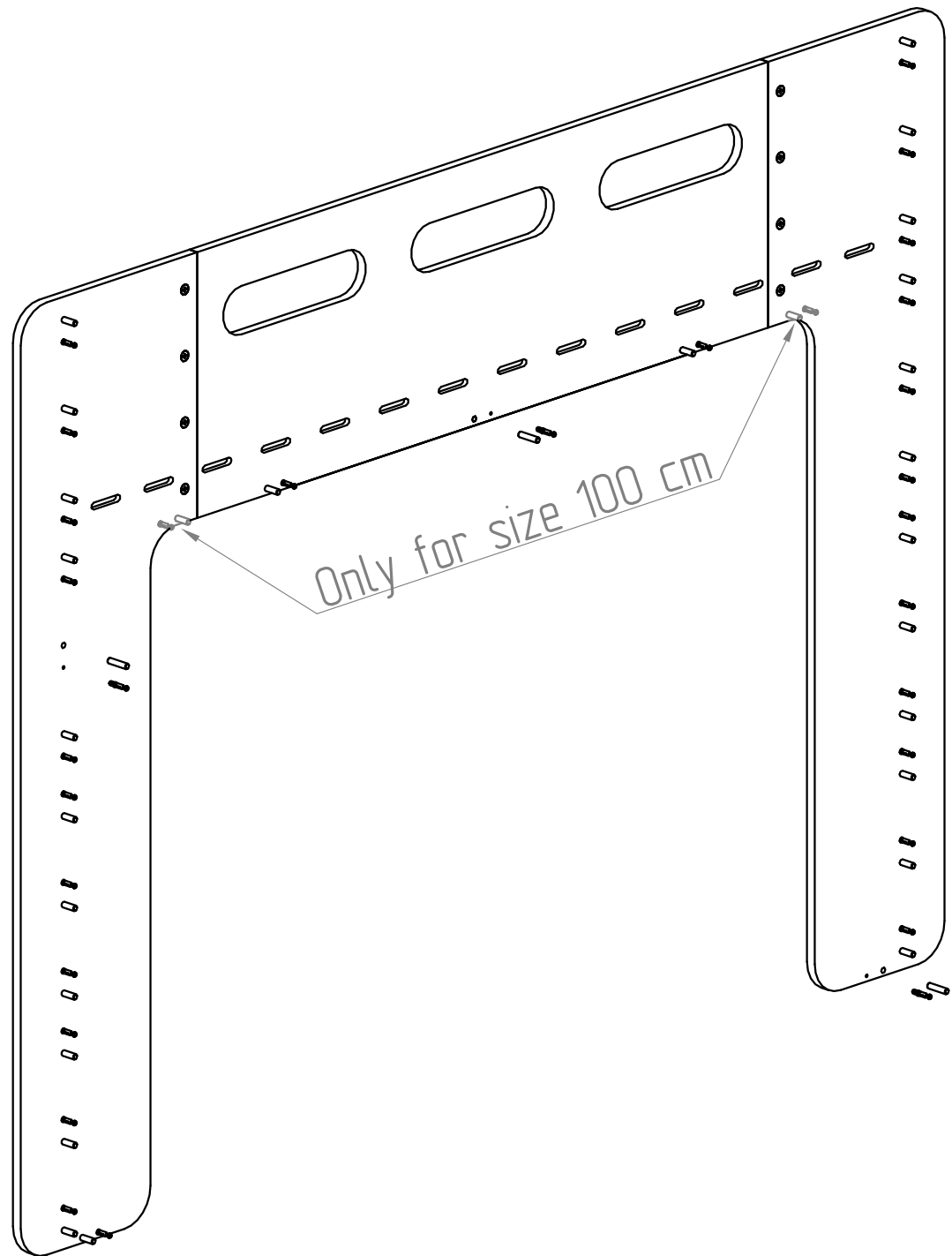




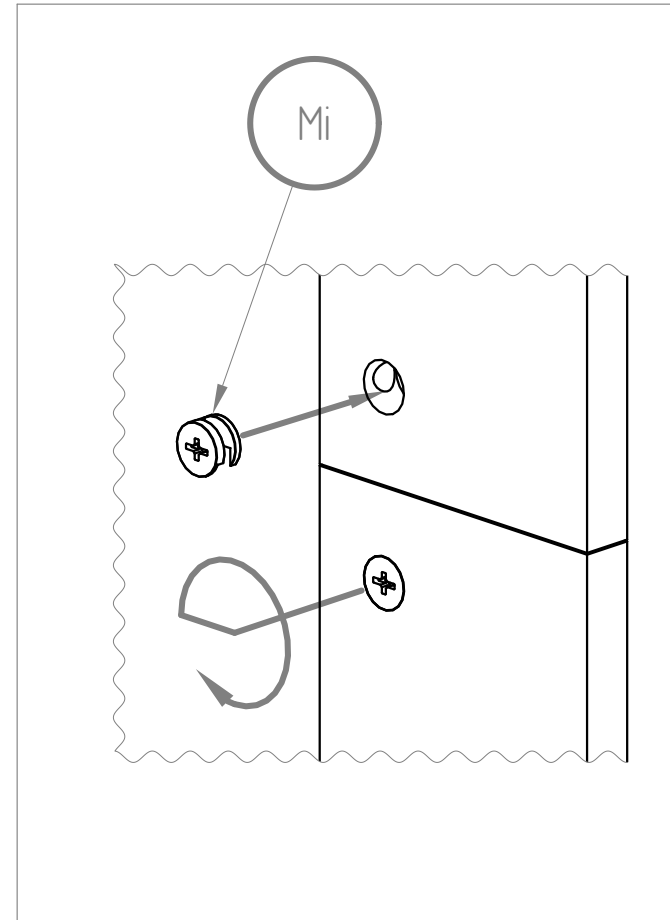
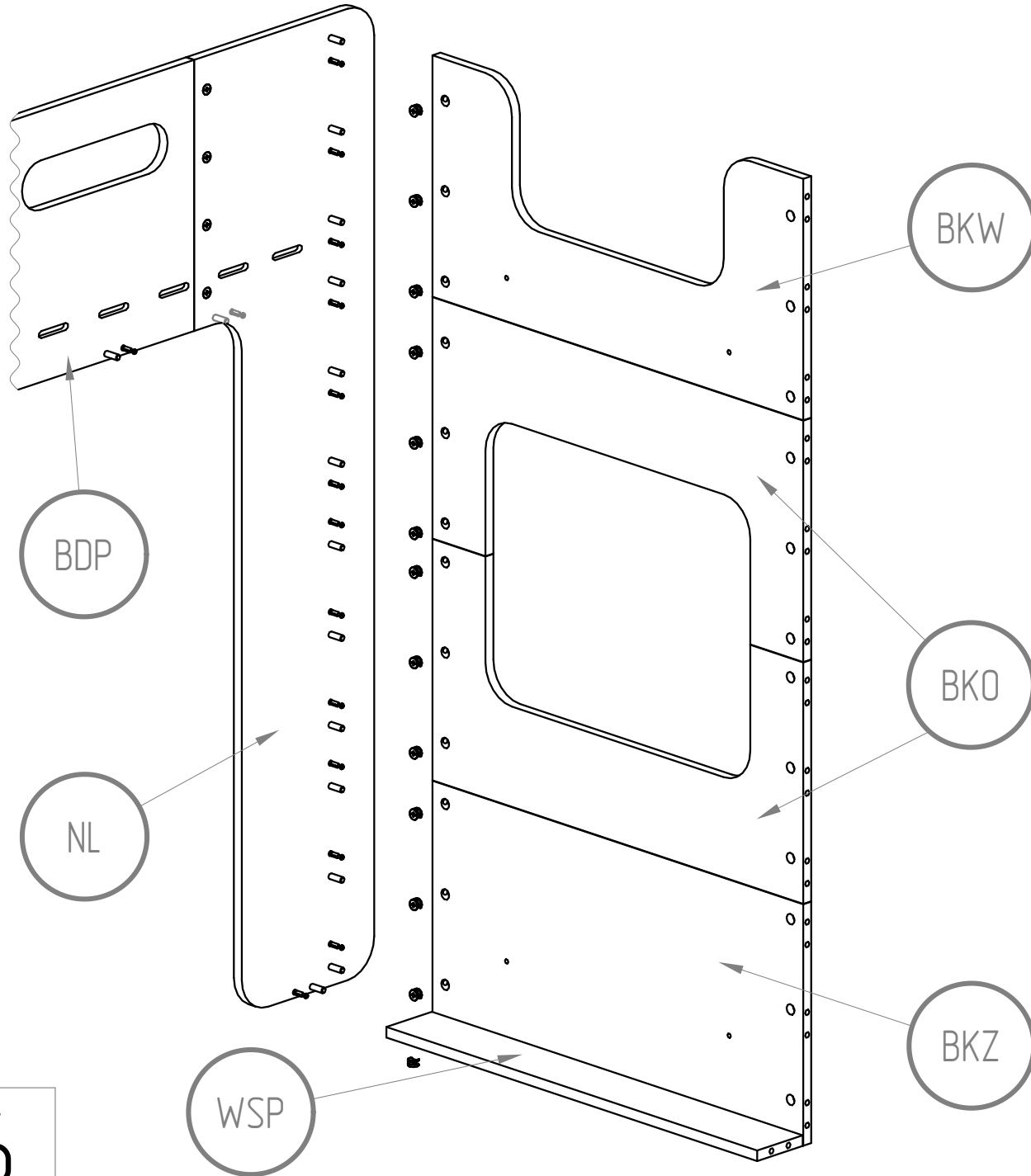
The same situation for elements

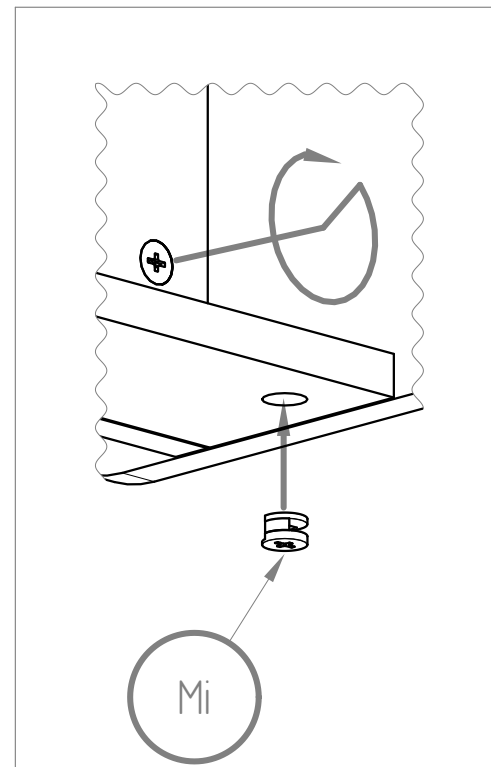
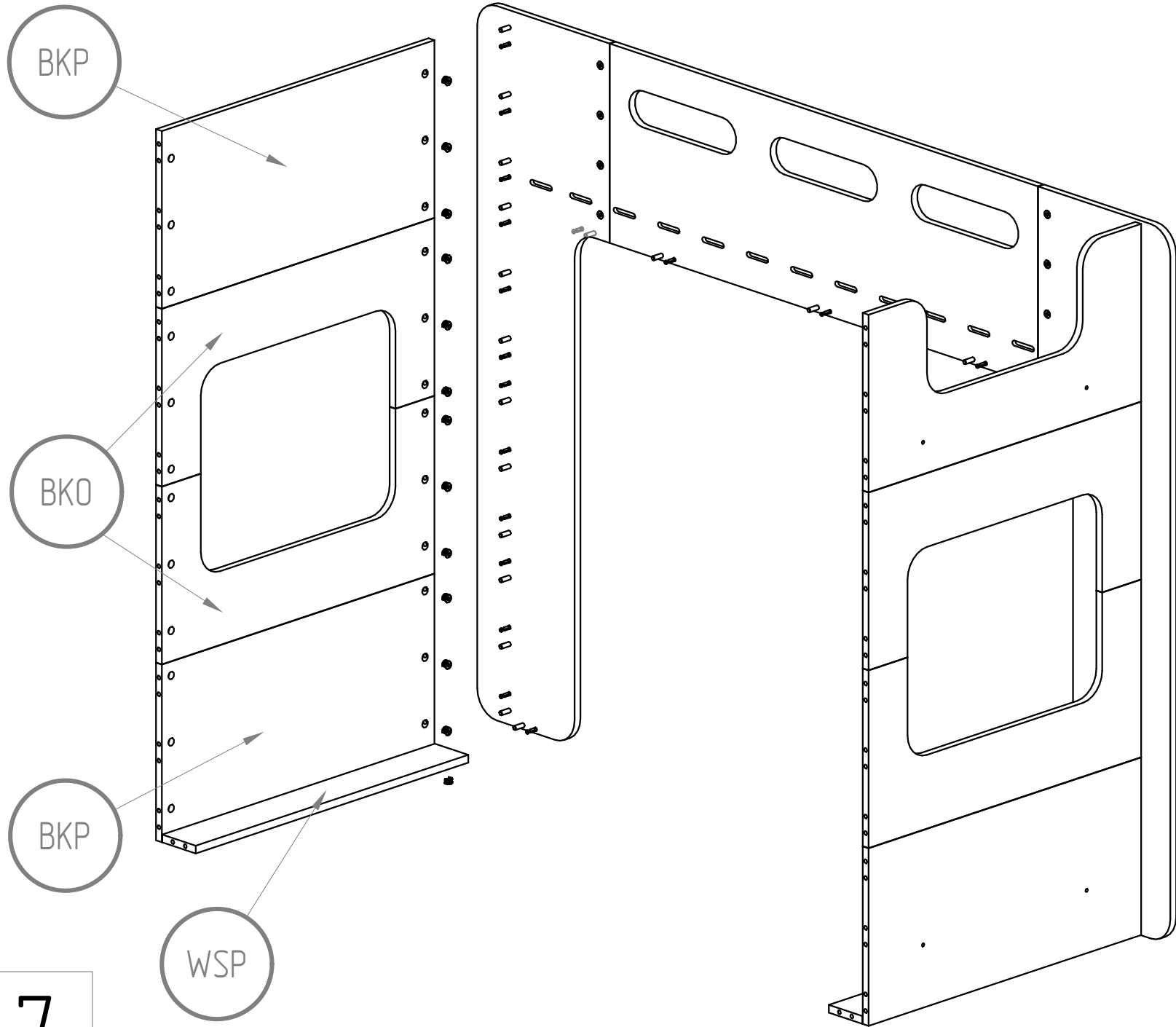


5



6

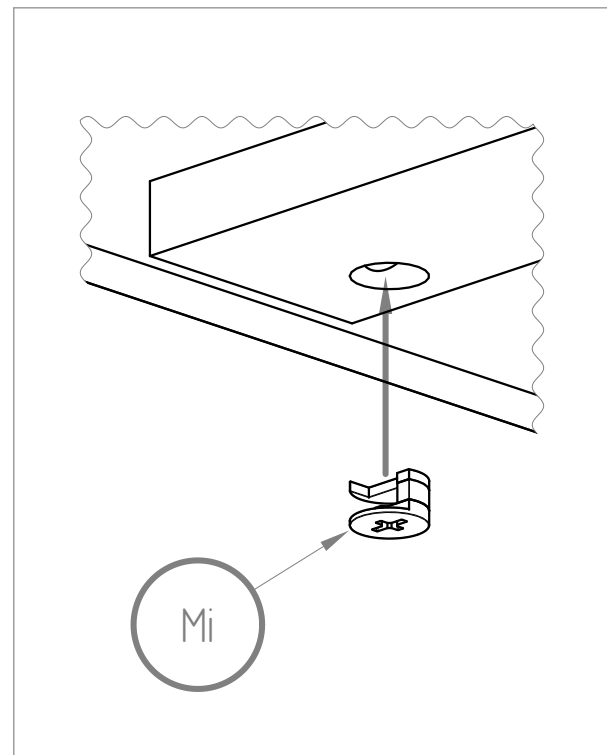
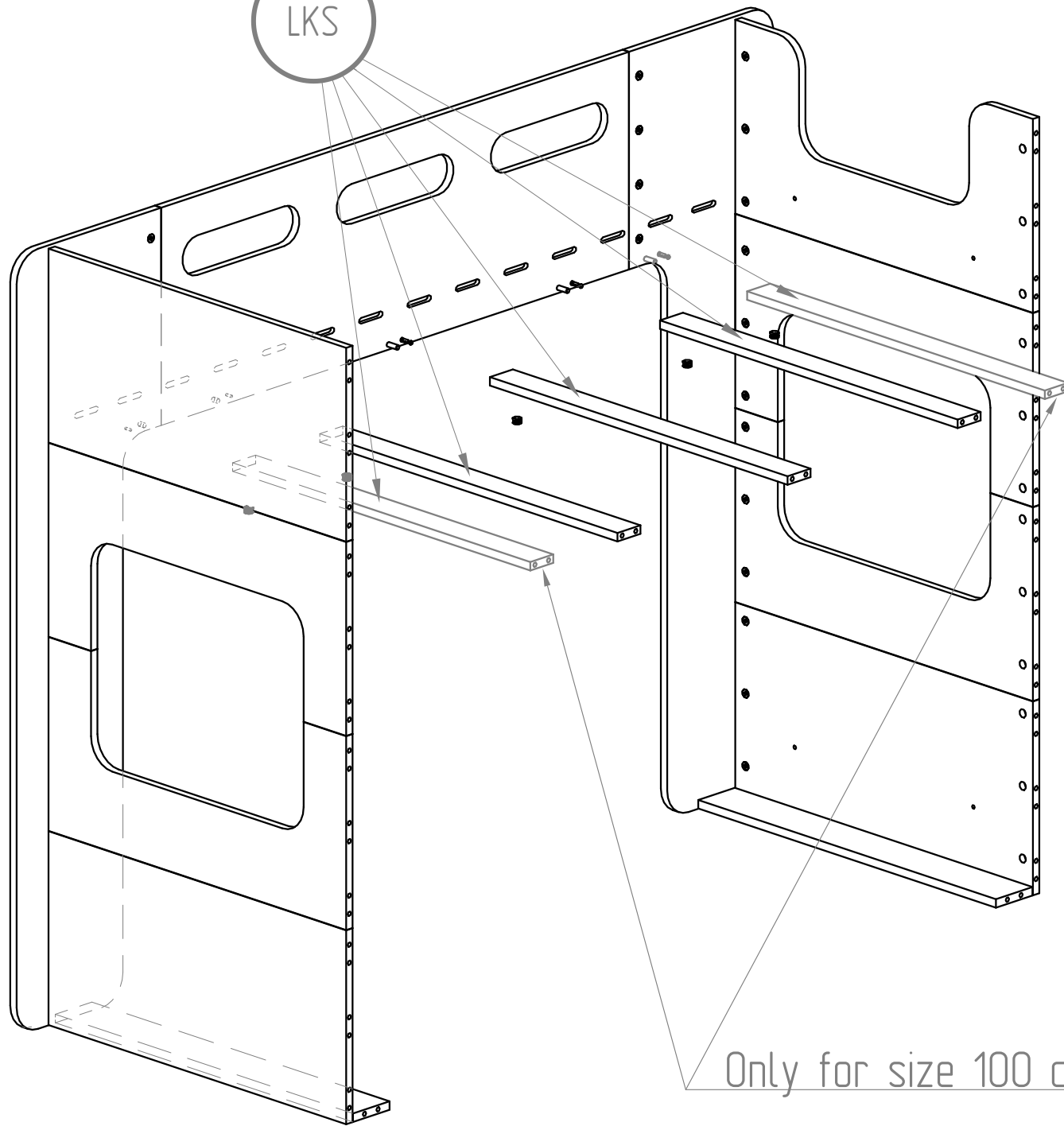
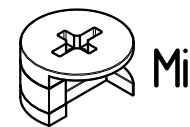




7

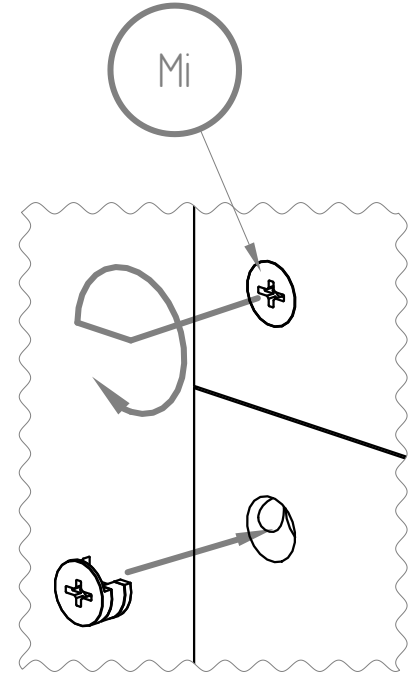
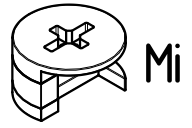
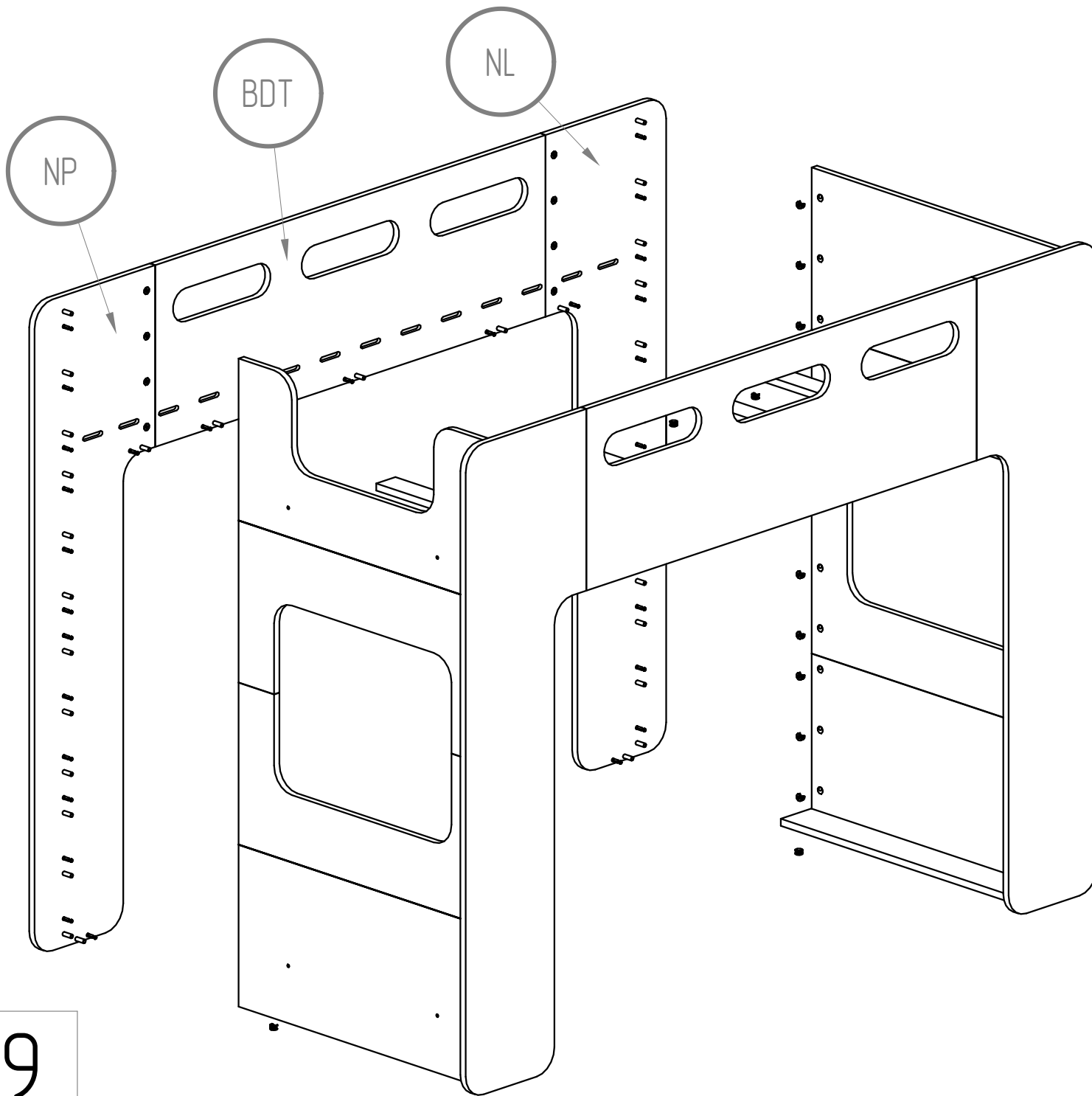


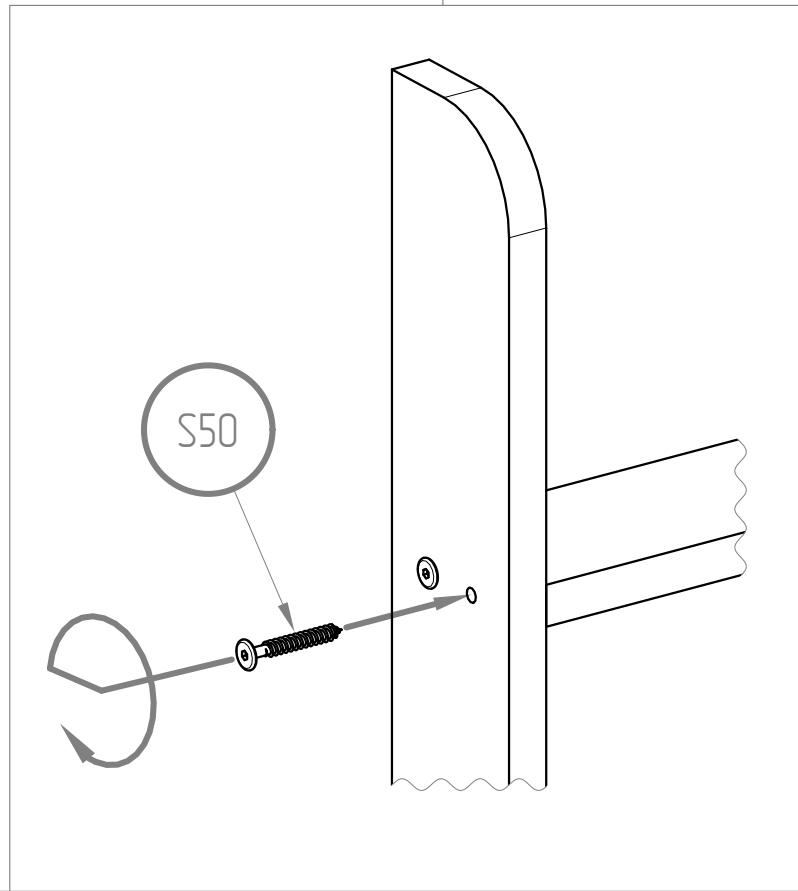
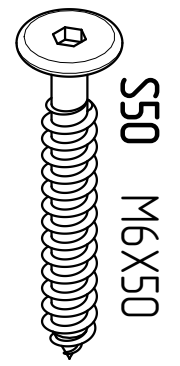
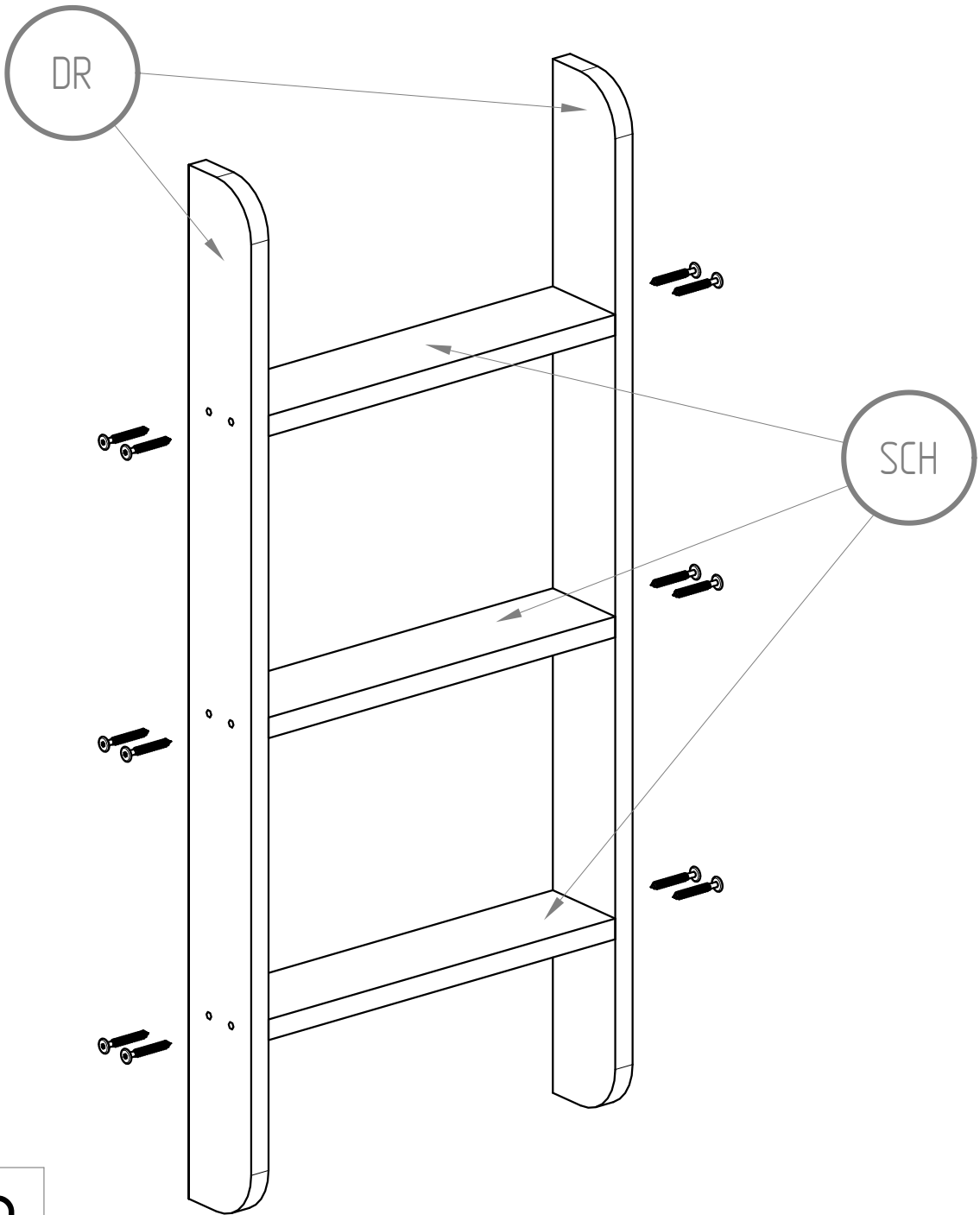
LKS

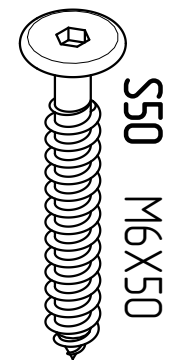
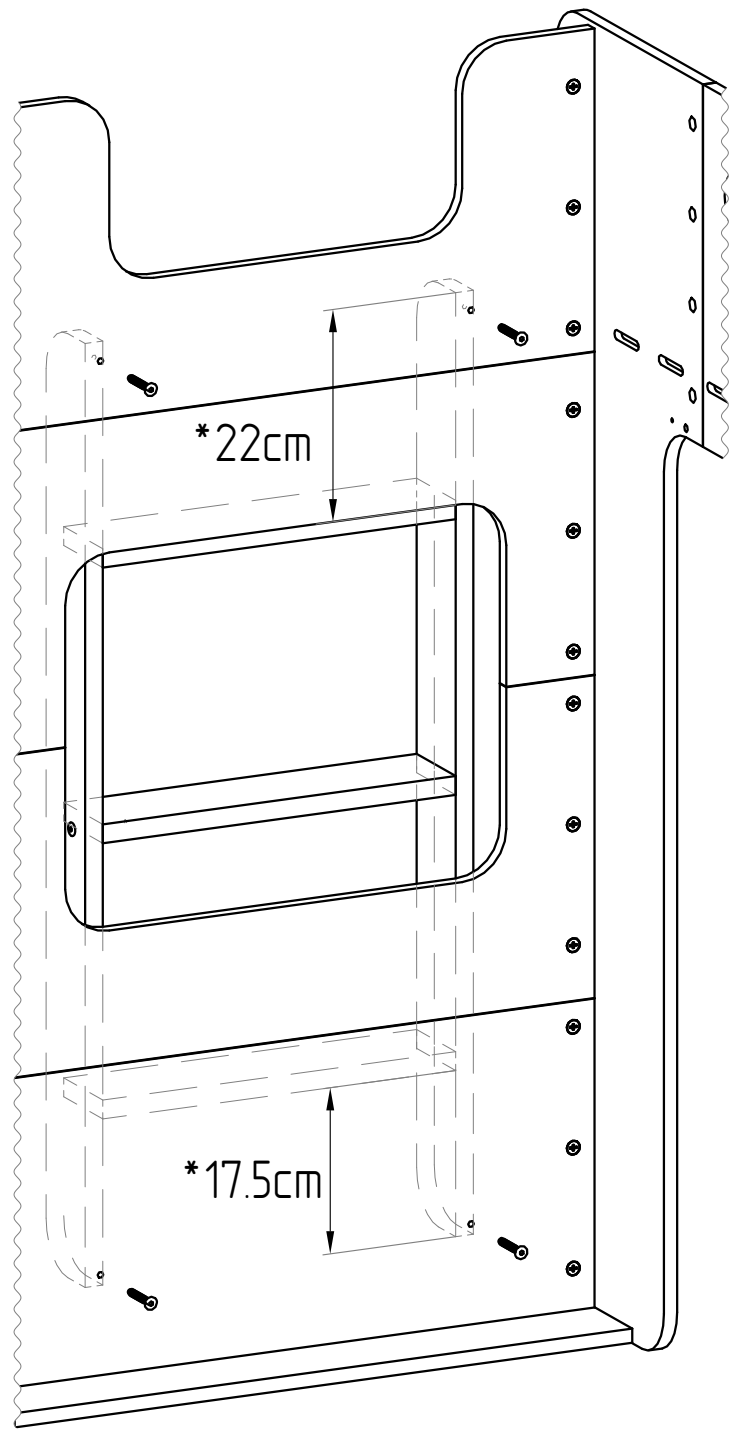


8

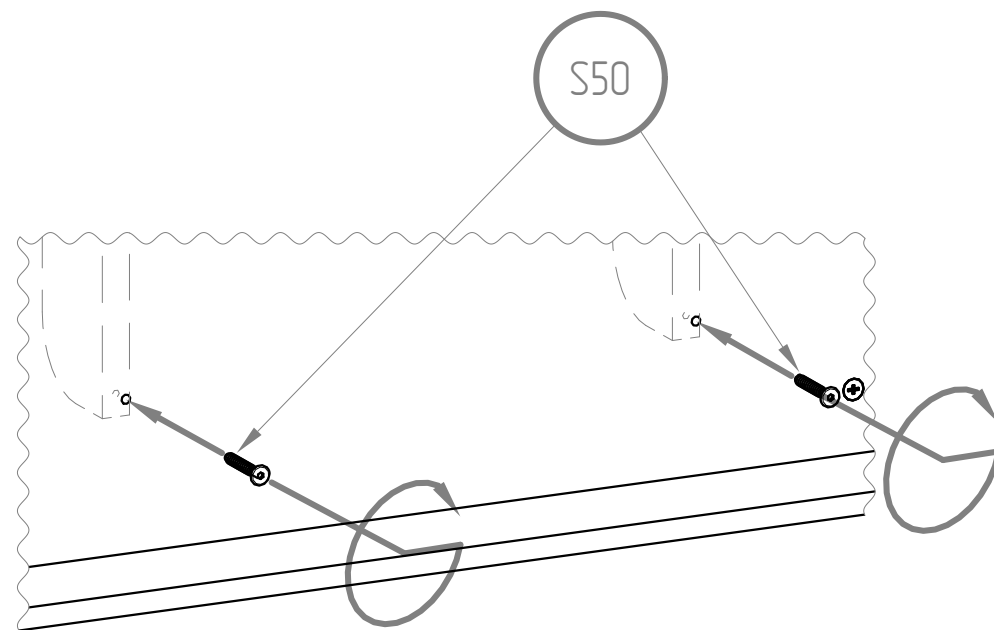
Only for size 100 cm

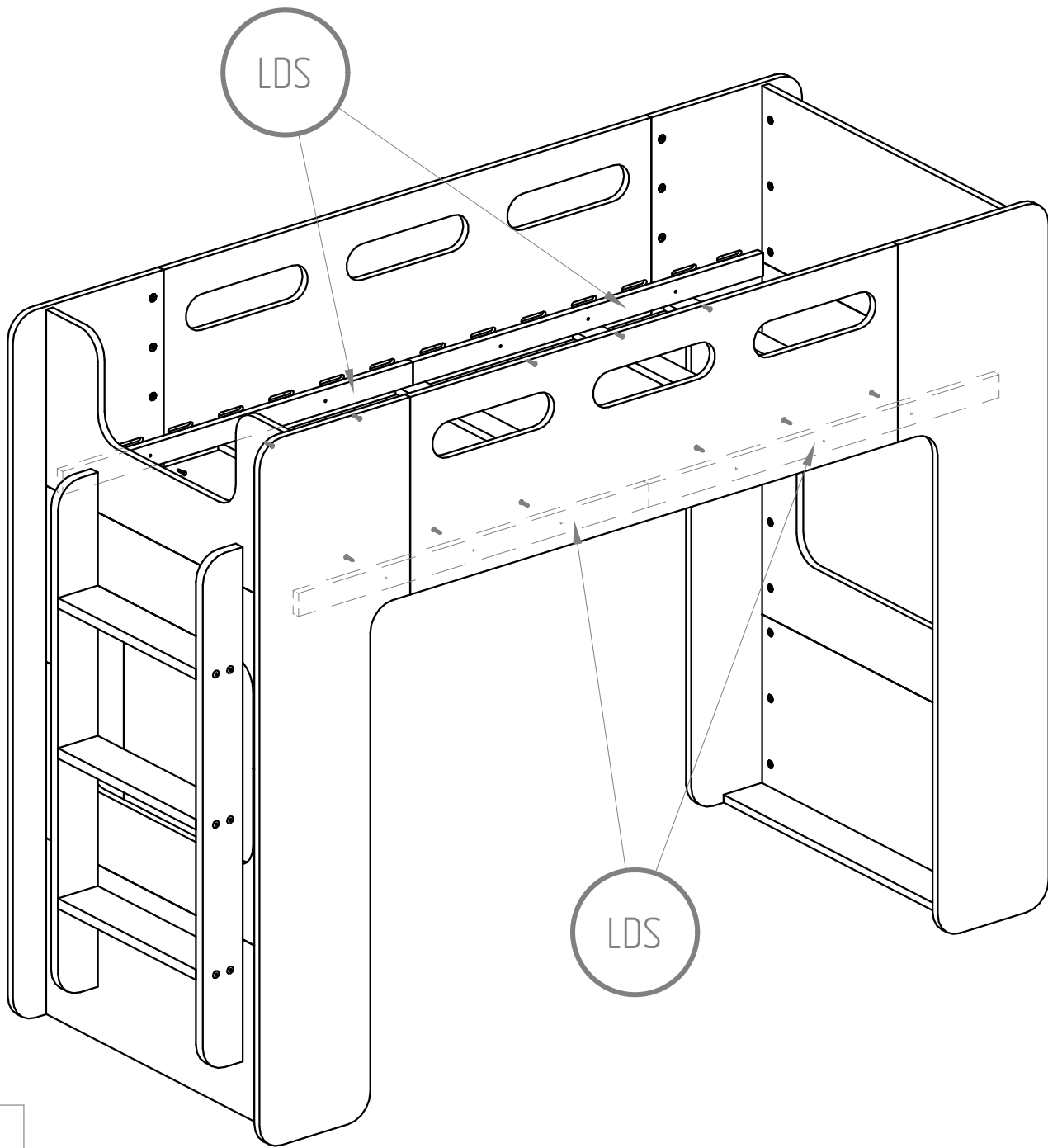




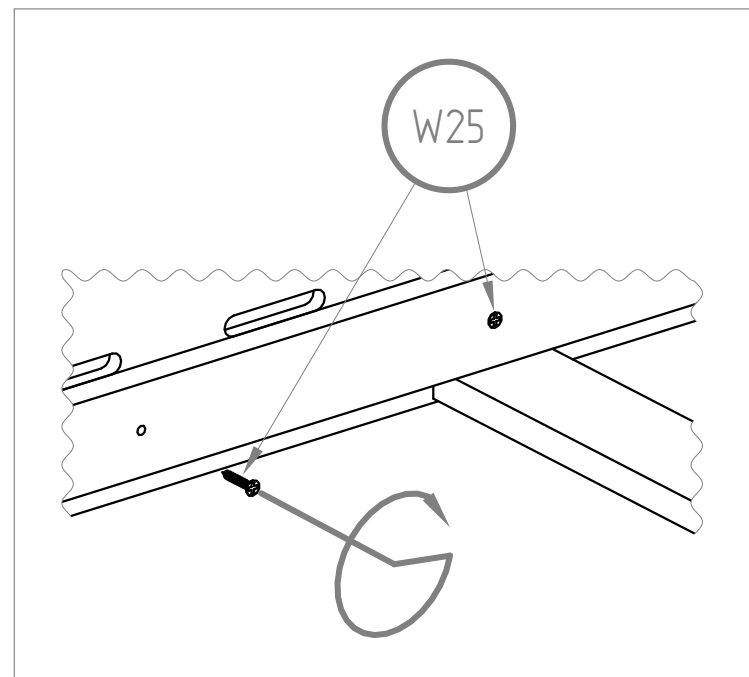


\* IMPORTANT!

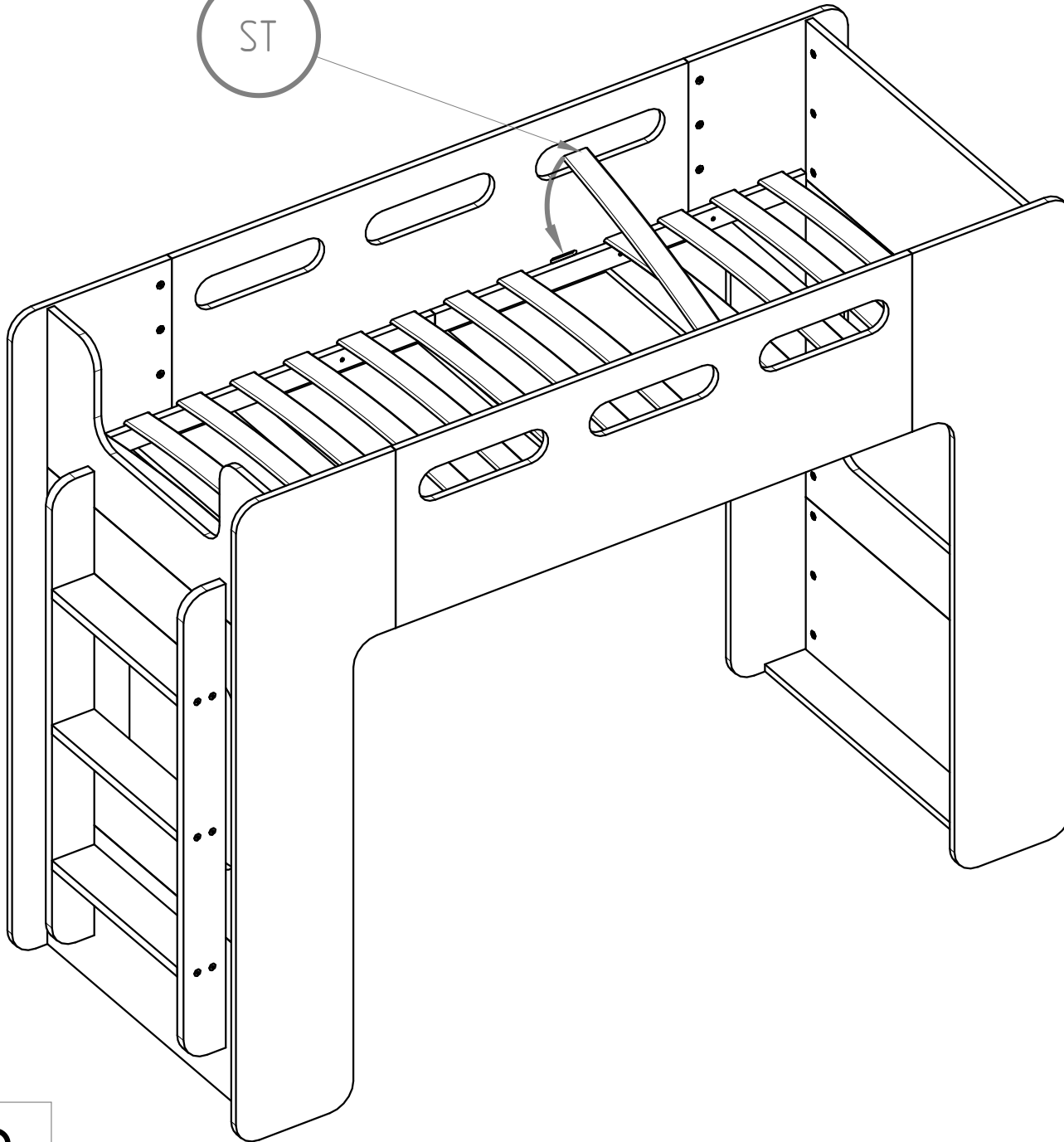




W25 M4X25

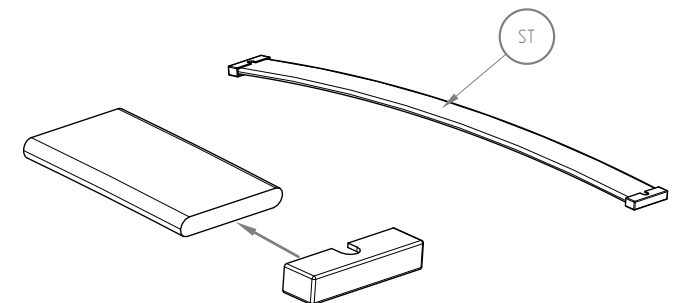


ST



**Important!**

Install the plastic caps before assembling the ST spring slats to the bed frame.



# IMPORTANT



Beds are for sleeping,  
not for jumping

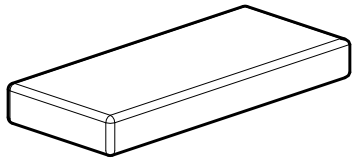
Prohibit more than  
one person on bed



UPPER BED

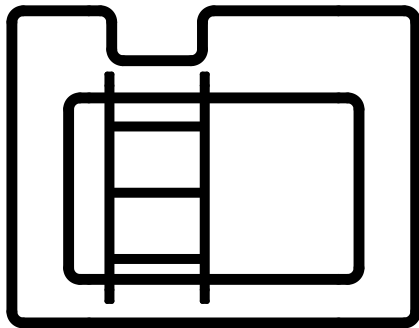


LOWER BED



Use only mattresses  
with thickness of 8-12 cm

Bed parts have 2 years  
warranty in normal use



Use the ladder to get in and out of the upper bed

Do not hang on structural elements

Design and execution in accordance with the standard

PN-EN 747-1+A1:2015-08

Wooden parts should be cleaned with a dry cloth and ordinary  
mild detergents for the care and cleaning of wooden parts