

# FIT GUIDE

---

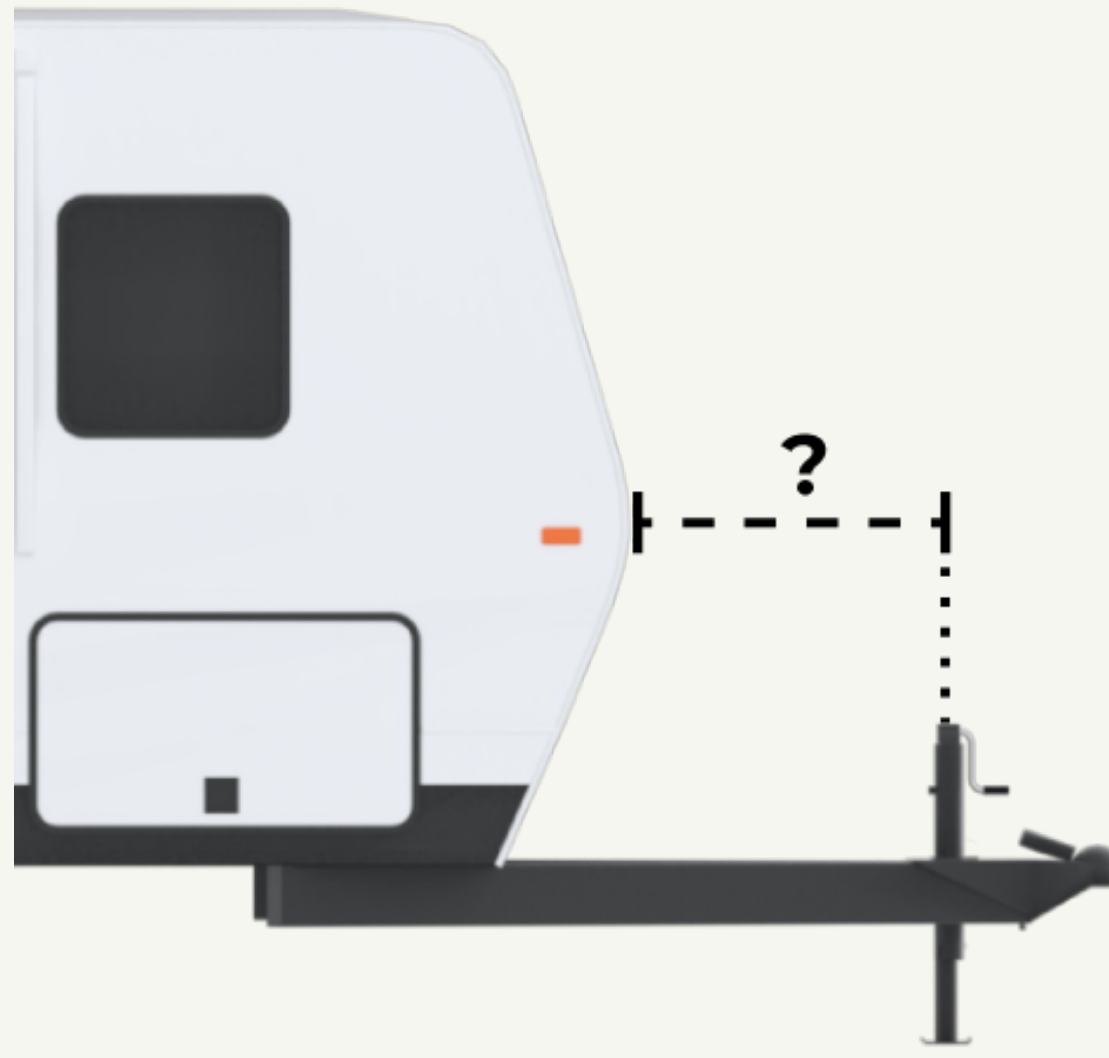
## A-FRAME



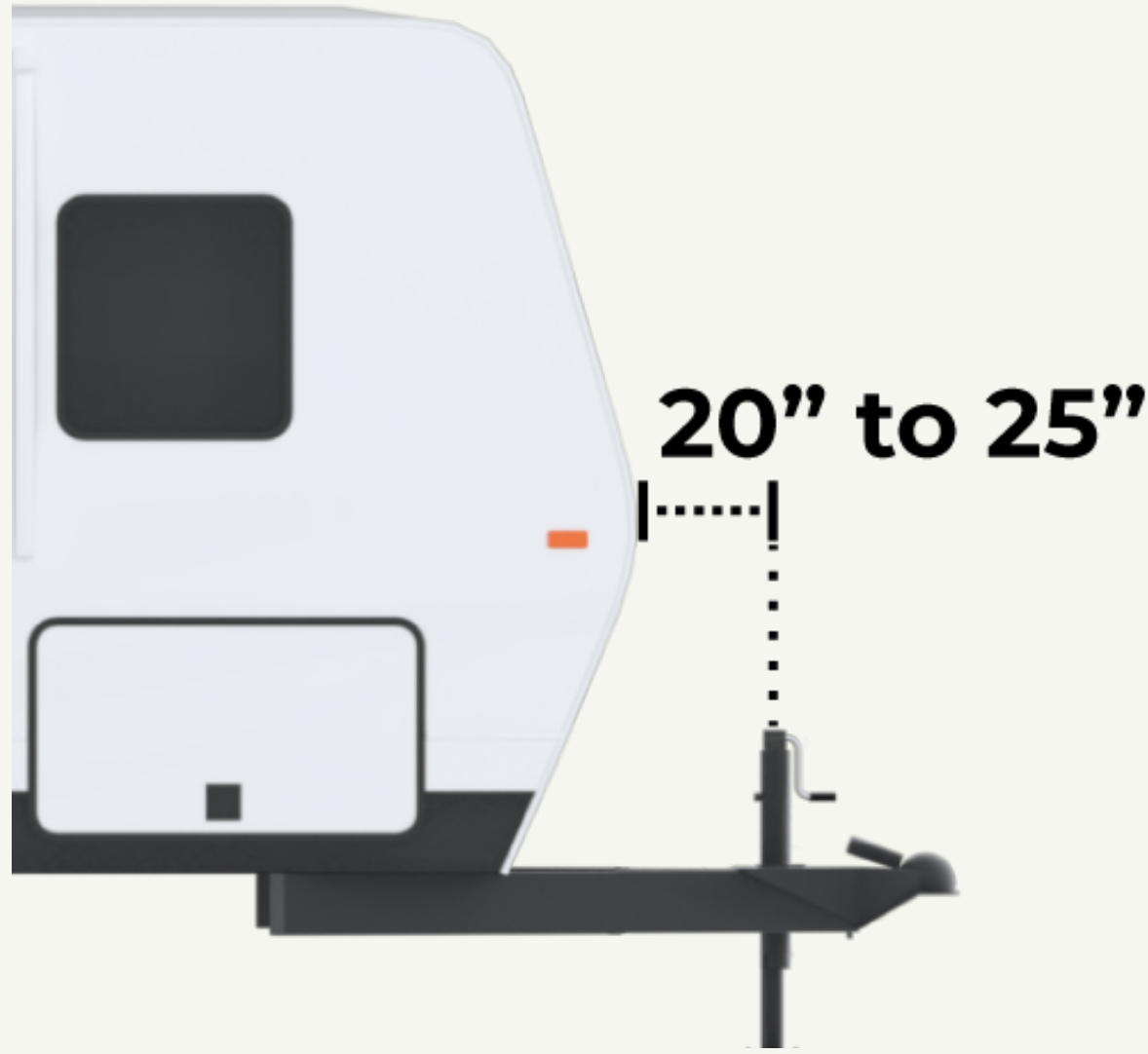
ARVIKA

# Measure your A-Frame

## Step #1

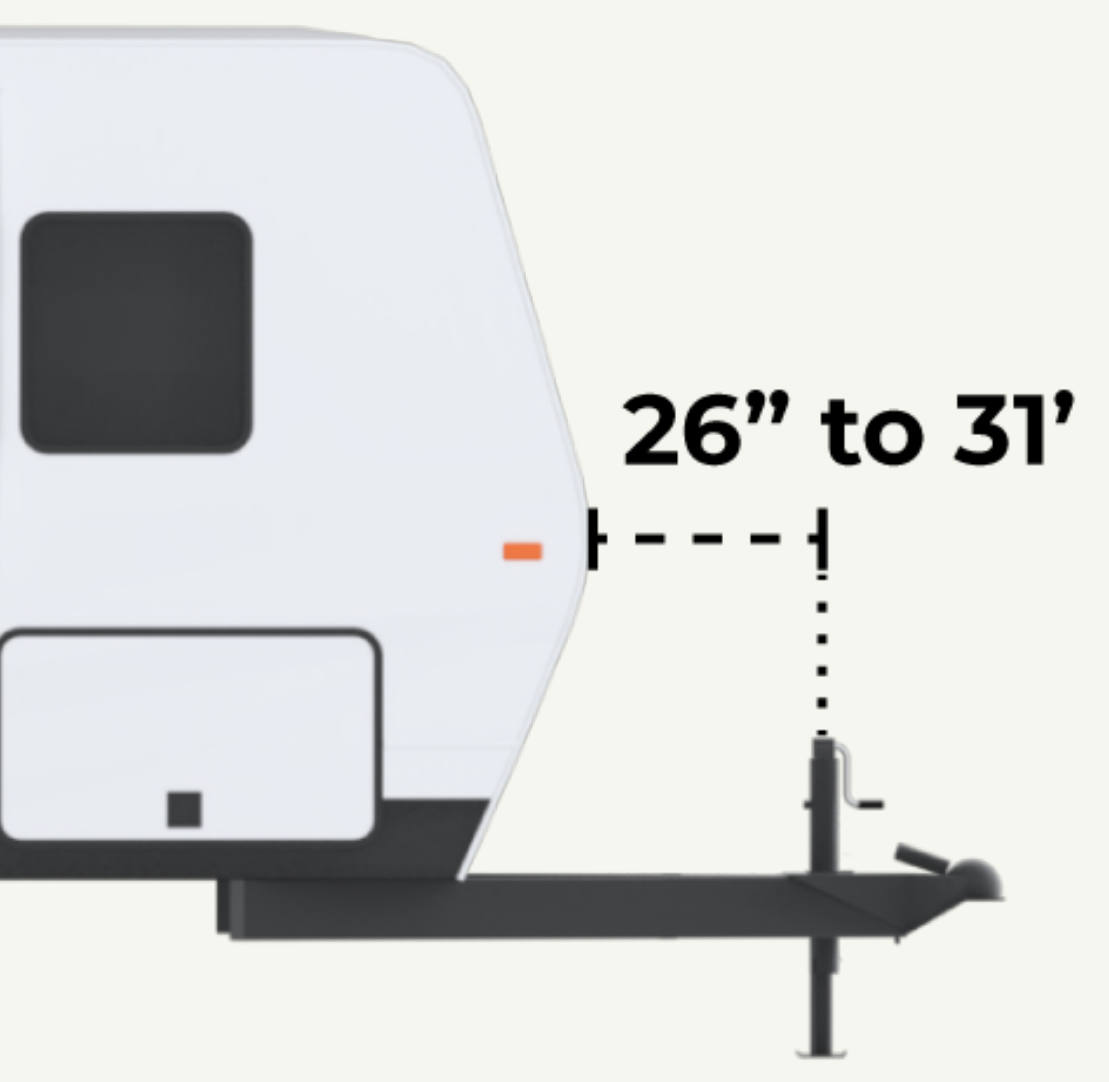


**What to consider**  
Measure the distance from the center of your jack to your trailer bump



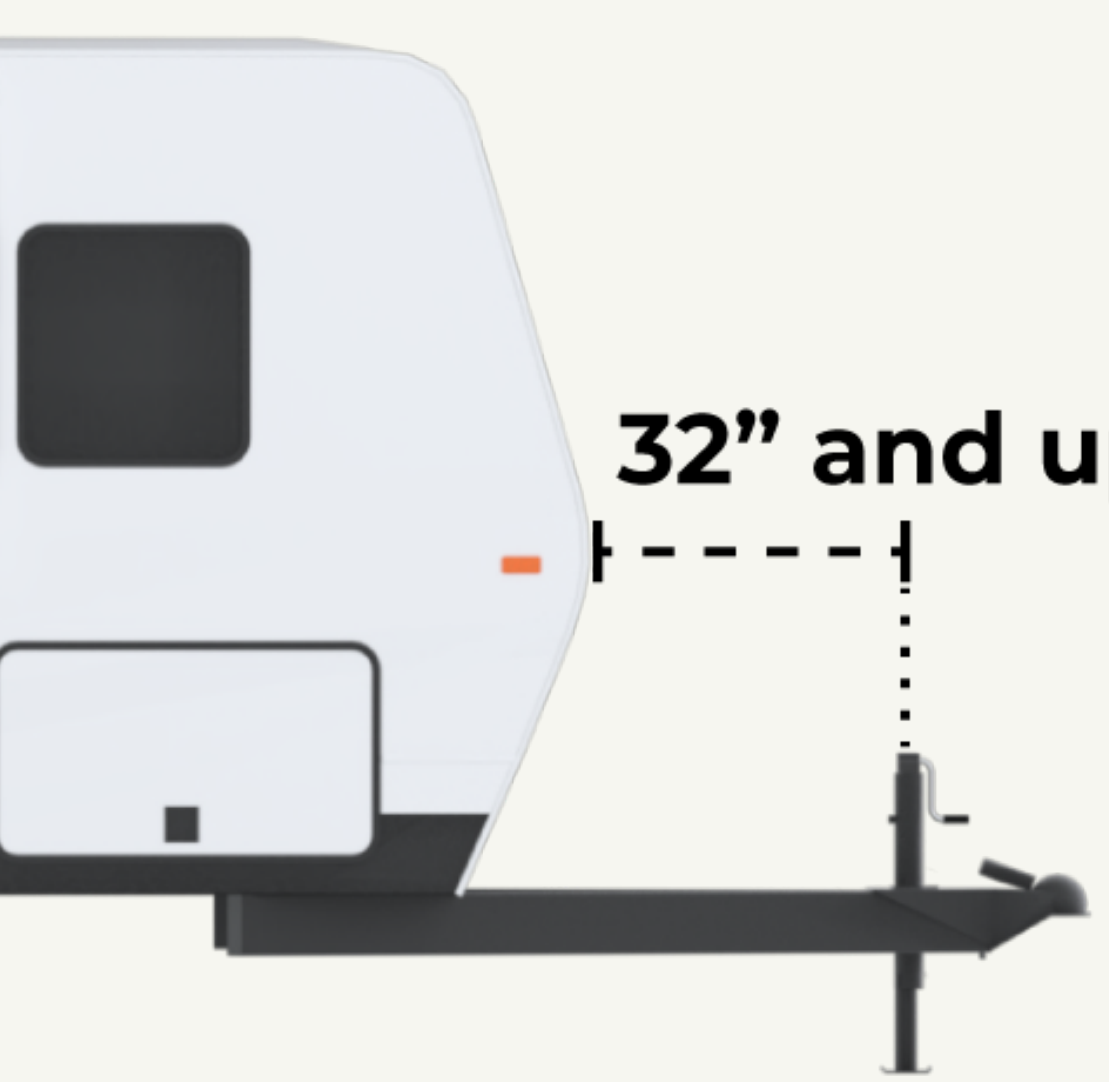
**Between 20" to 25"**  
Capacity of 1 to 2 bikes and potentially 3 if the extra gutter does not conflict with the trailer bump

See page #2



**Between 26" to 31"**  
Capacity of 1 to 3 bikes

See page #3 before purchase  
[See the product here](#)



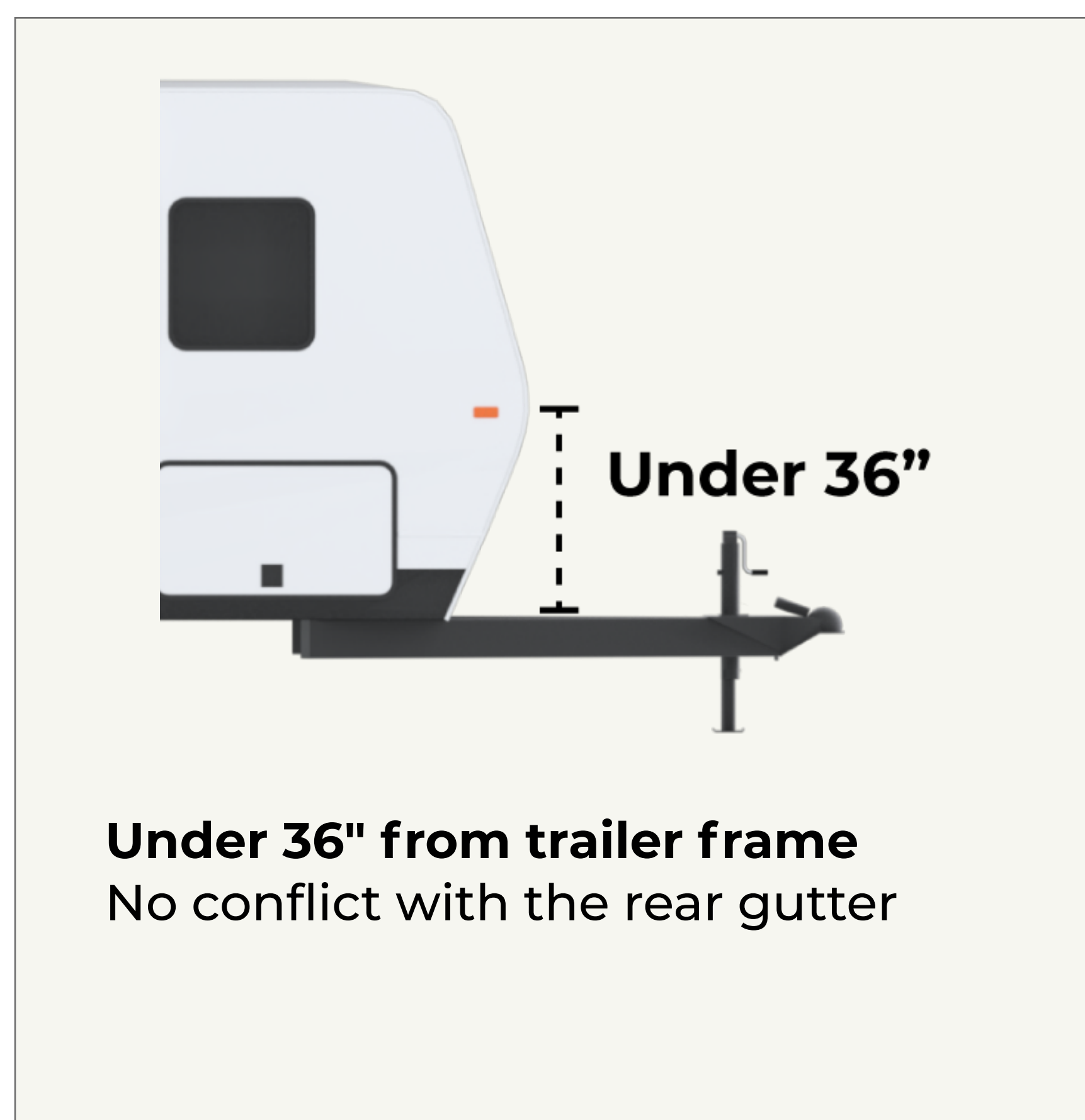
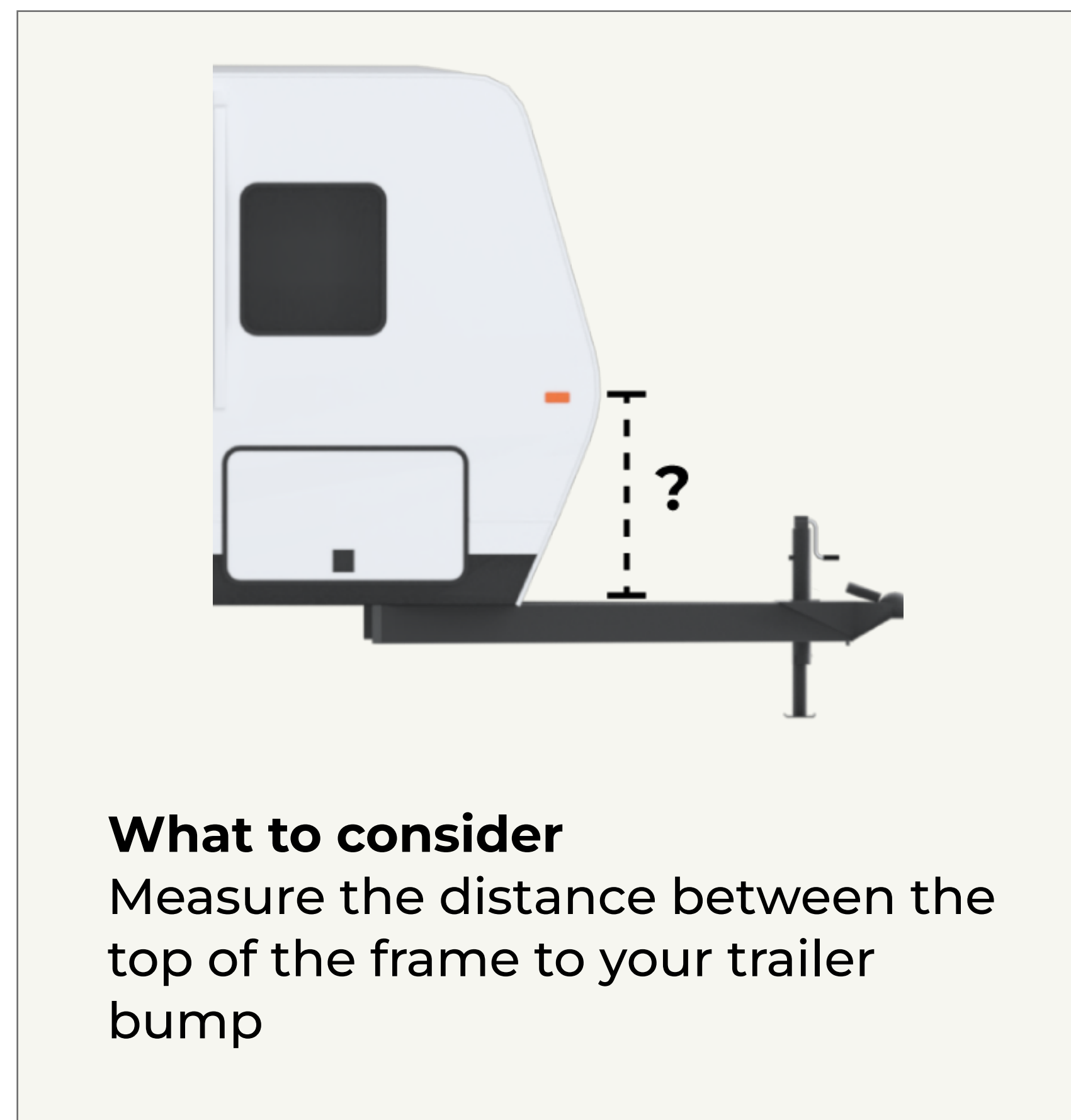
**Between 32" and up**  
Capacity of 1 to 4 bikes

See page #3 before purchase  
[See the product here](#)

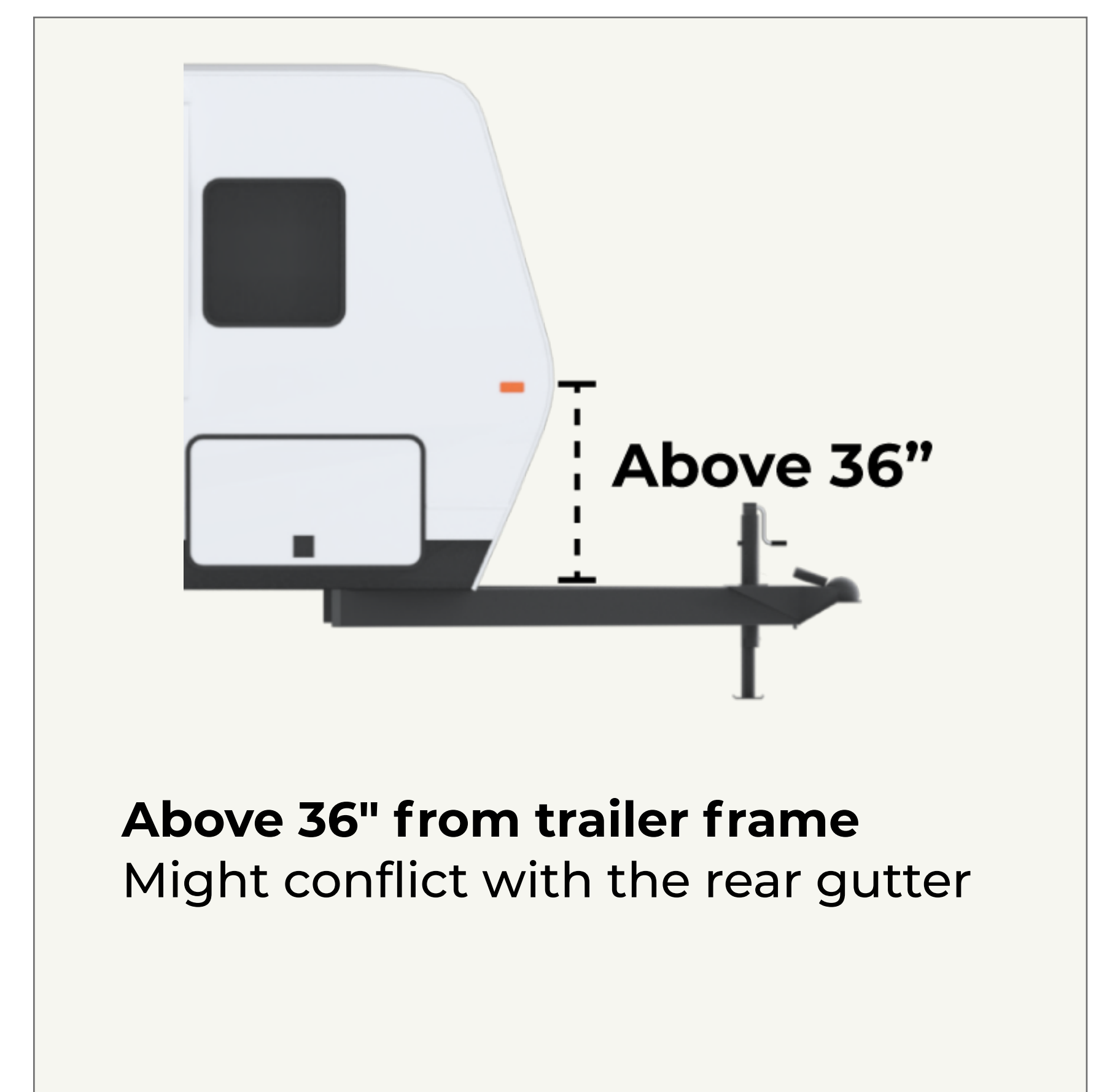
# Measure your trailer's bump

## Step #2

The height of the trailer bump directly influences the possibility of having the rear gutter or not. Please note that the rear gutter can be raised on the backing arch to clear the bump.



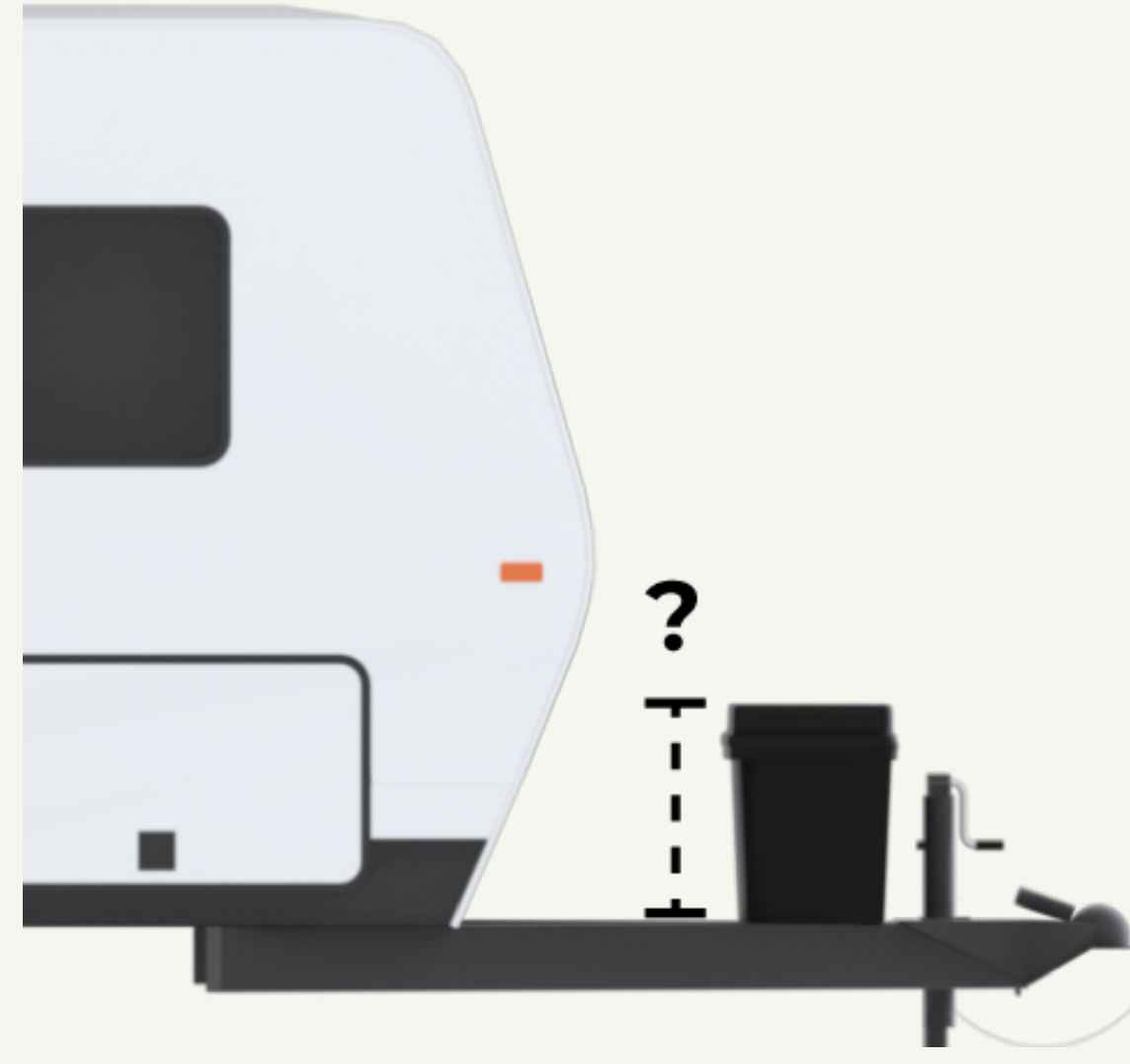
[Shop now](#)  
The bike rack for travel trailer with the rear gutter will be the best solution for you



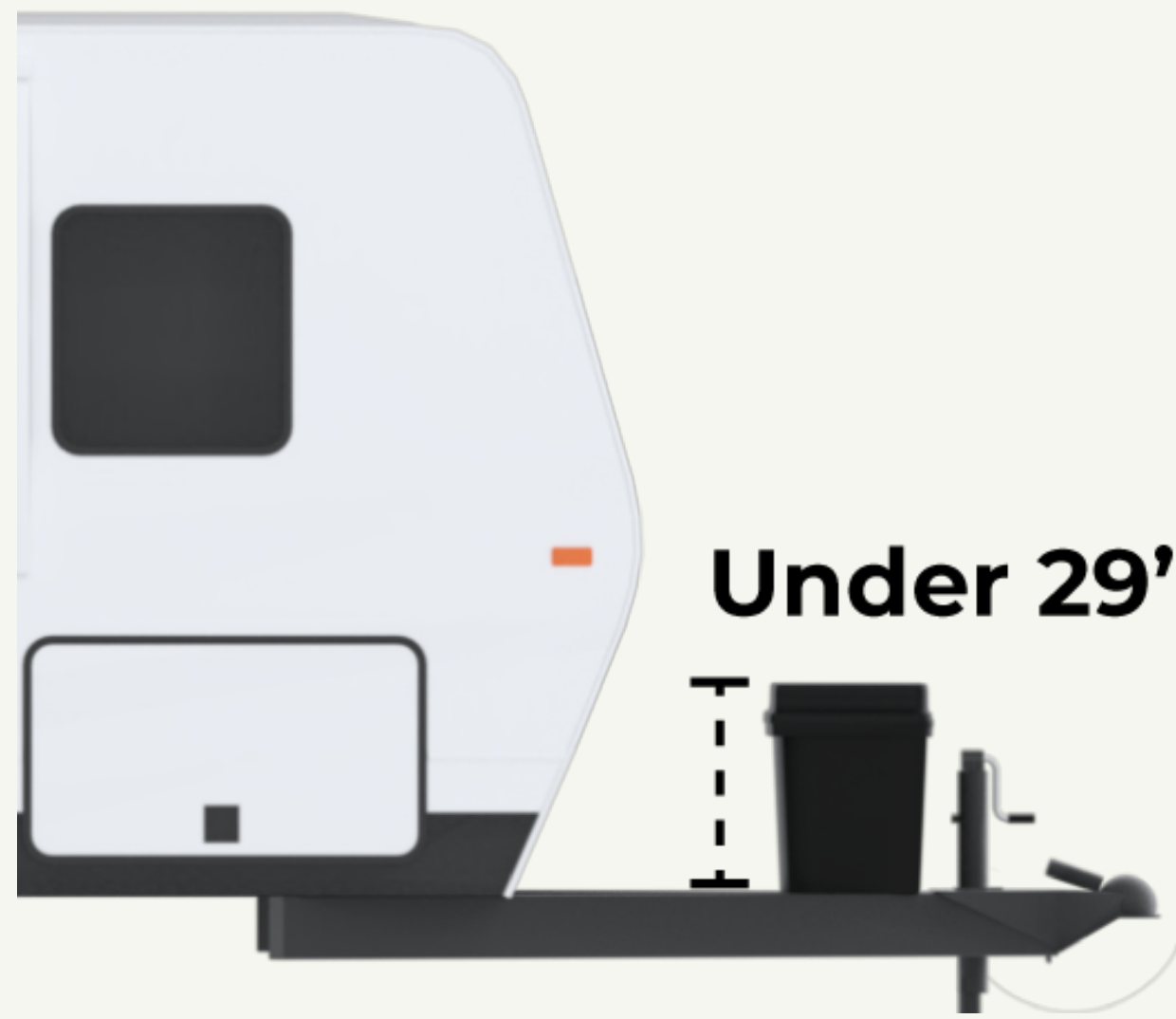
[Shop now](#)  
The bike rack for travel trailer without the rear gutter will be the best solution for you

# Measure your propane's height

## Step #3

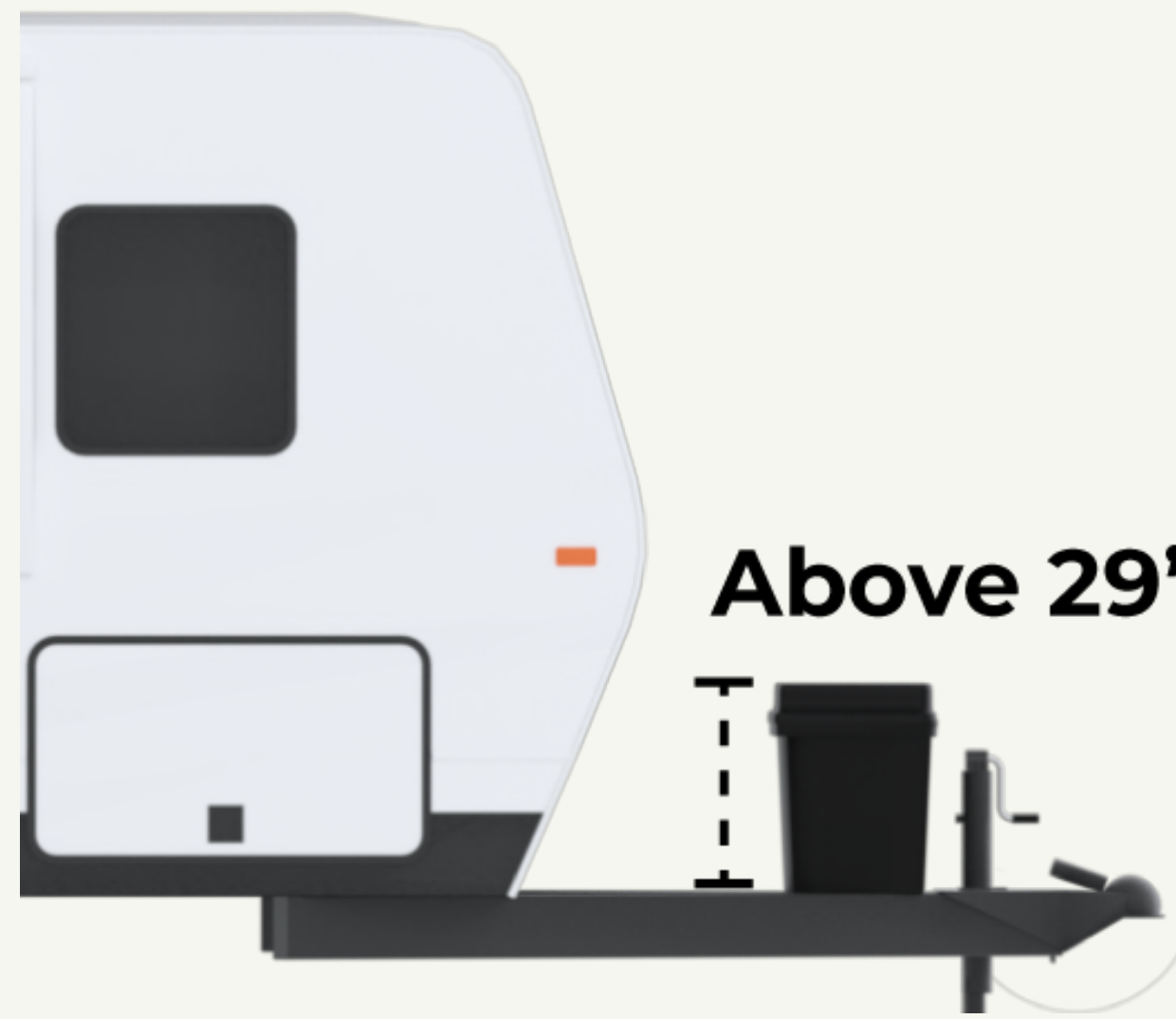


**What to consider**  
Measure the height of your propane bottle or protective case



**Under 29"**  
Our standard kit will fit. You can proceed with the purchase

[Shop now](#)



**Above 29"**  
You'll need longer "S" posts

Add our [bike rack](#) as well as the [37.5 "S" post](#) in your cart

600 Bériault Street, Longueuil  
info@wearervk.com  
arvikabikerack.com  
CA : 438-334-4345  
US : 1+ 888-690-0096