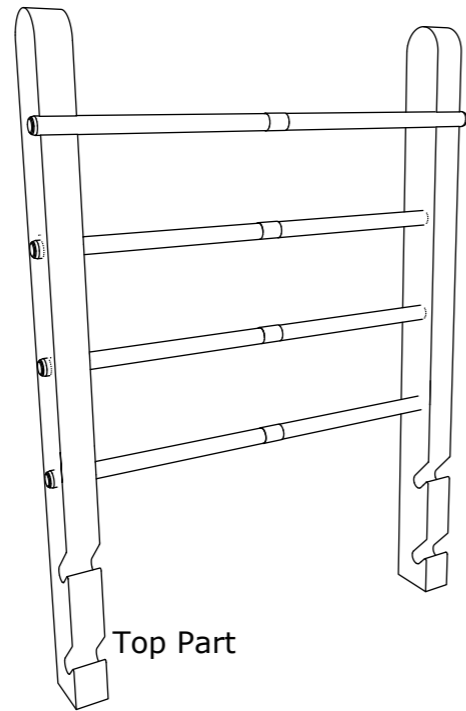
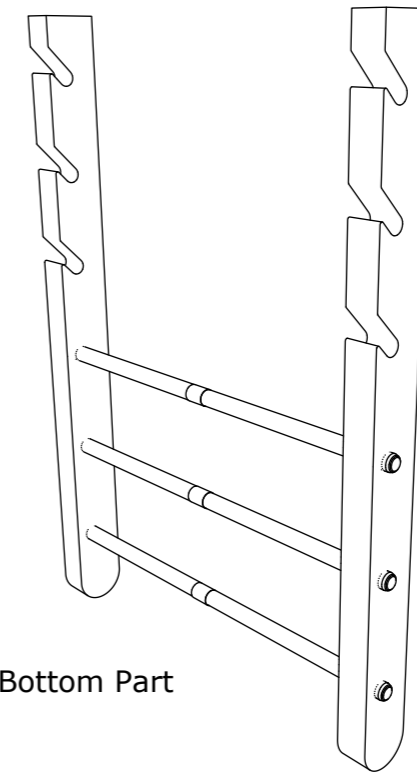


# LIST OF KIT ELEMENTS

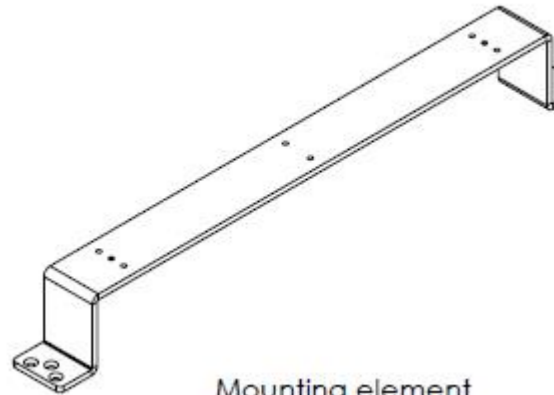
## SCALA Advance



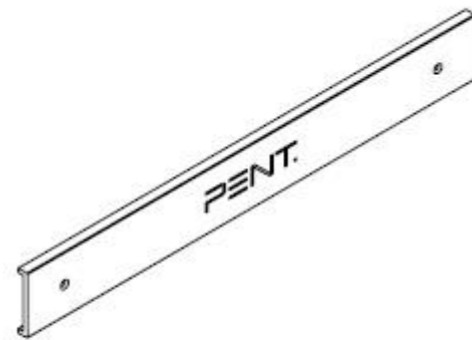
Top Part



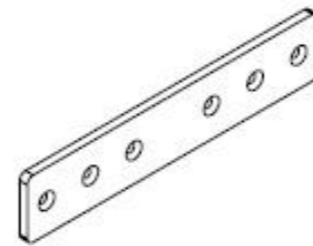
Bottom Part



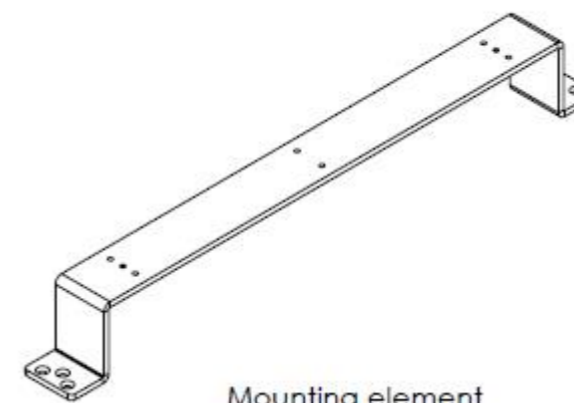
Mounting element



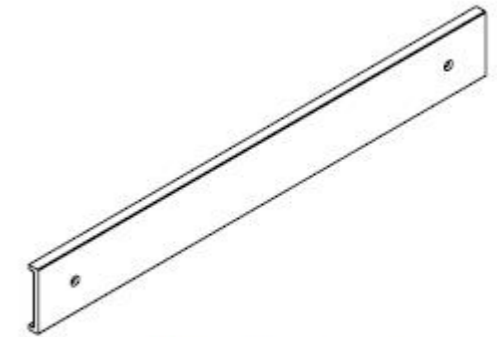
Engraved  
Decorative Cover  
1 pc



Steel Beam Fastener  
2 pcs



Mounting element



Decorative Cover  
1 pc

mounting element + engraved decorative cover are mounted together with M6X15 2pcs

mounting element + decorative cover are mounted together with M6X15 2pcs



Biscuit  
4 pcs



Countersunk Head Screw  
M6x30 - 24pcs



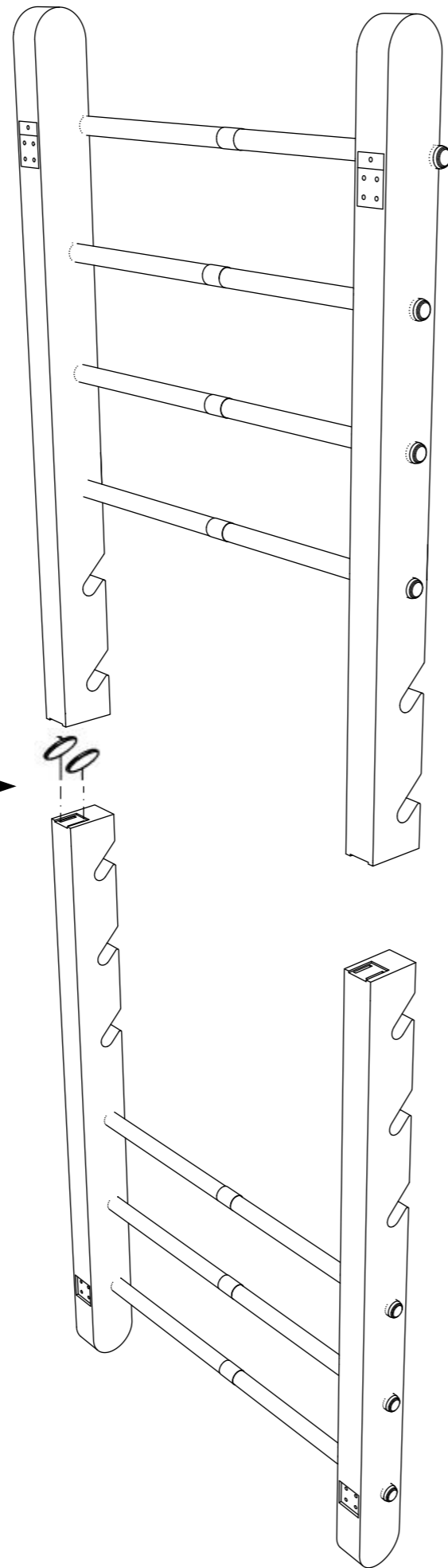
Wall Plug M8x80  
for concrete walls  
12 pcs



Removable rung  
5 pcs

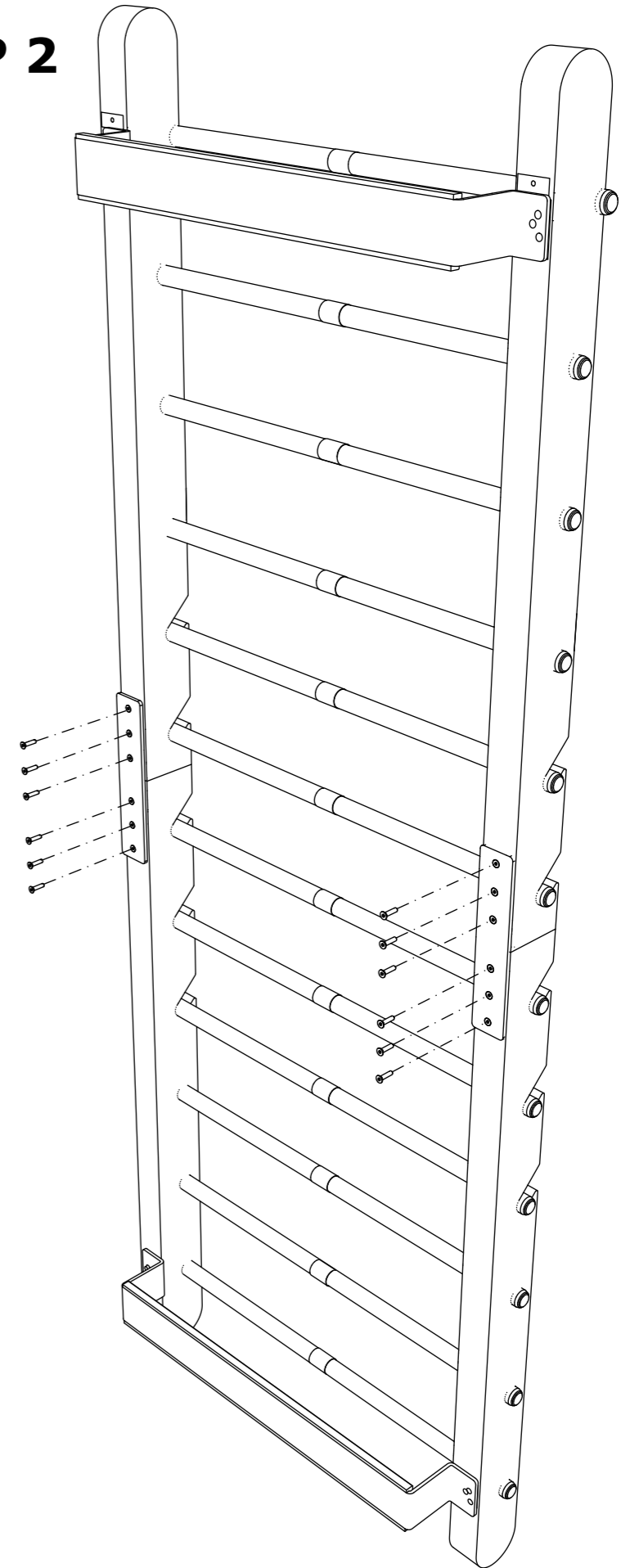
# STEP 1

Place Biscuits into Mortises



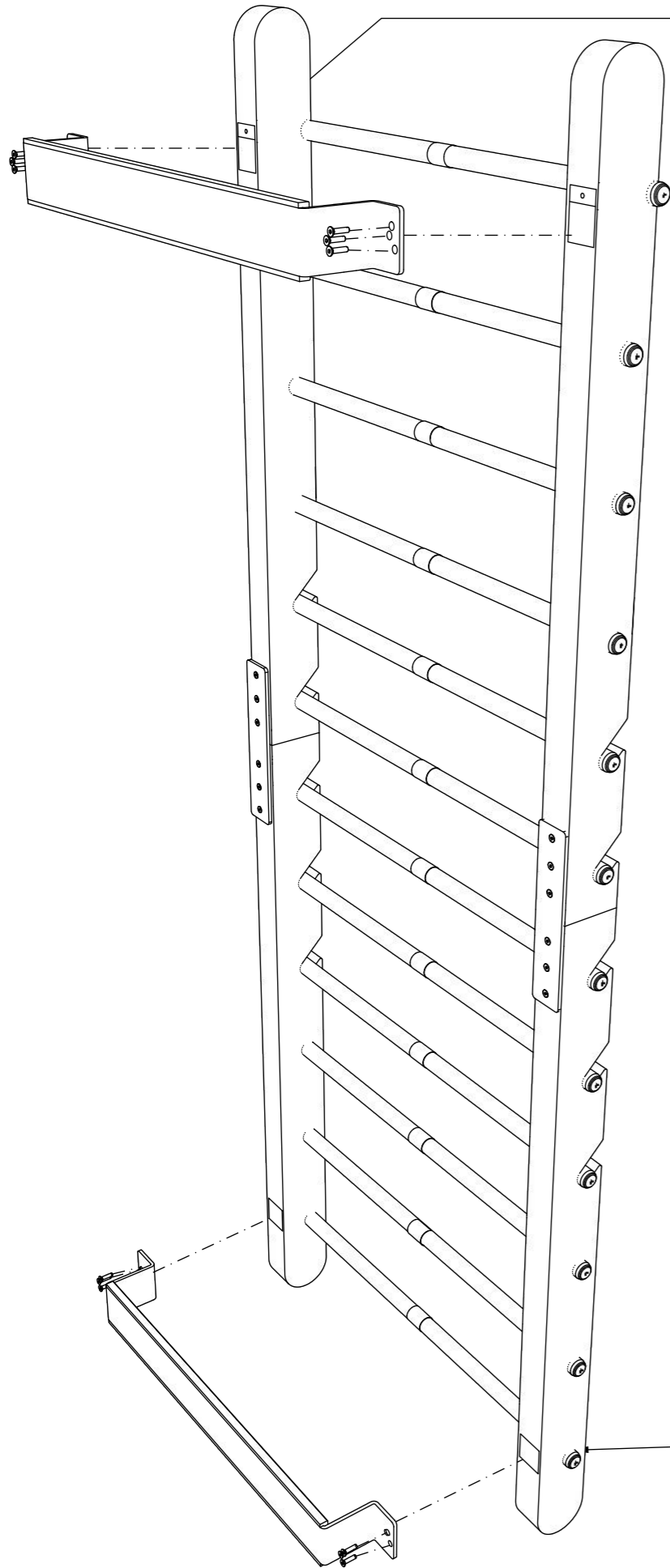
# STEP 2

Screw the Steel Fasteners to the Beams with Countersunk Head Screws M6X30



### STEP 3

Fit Top and Bottom Mounting Element into the sockets of the Beams with M6X30 (6 pcs)



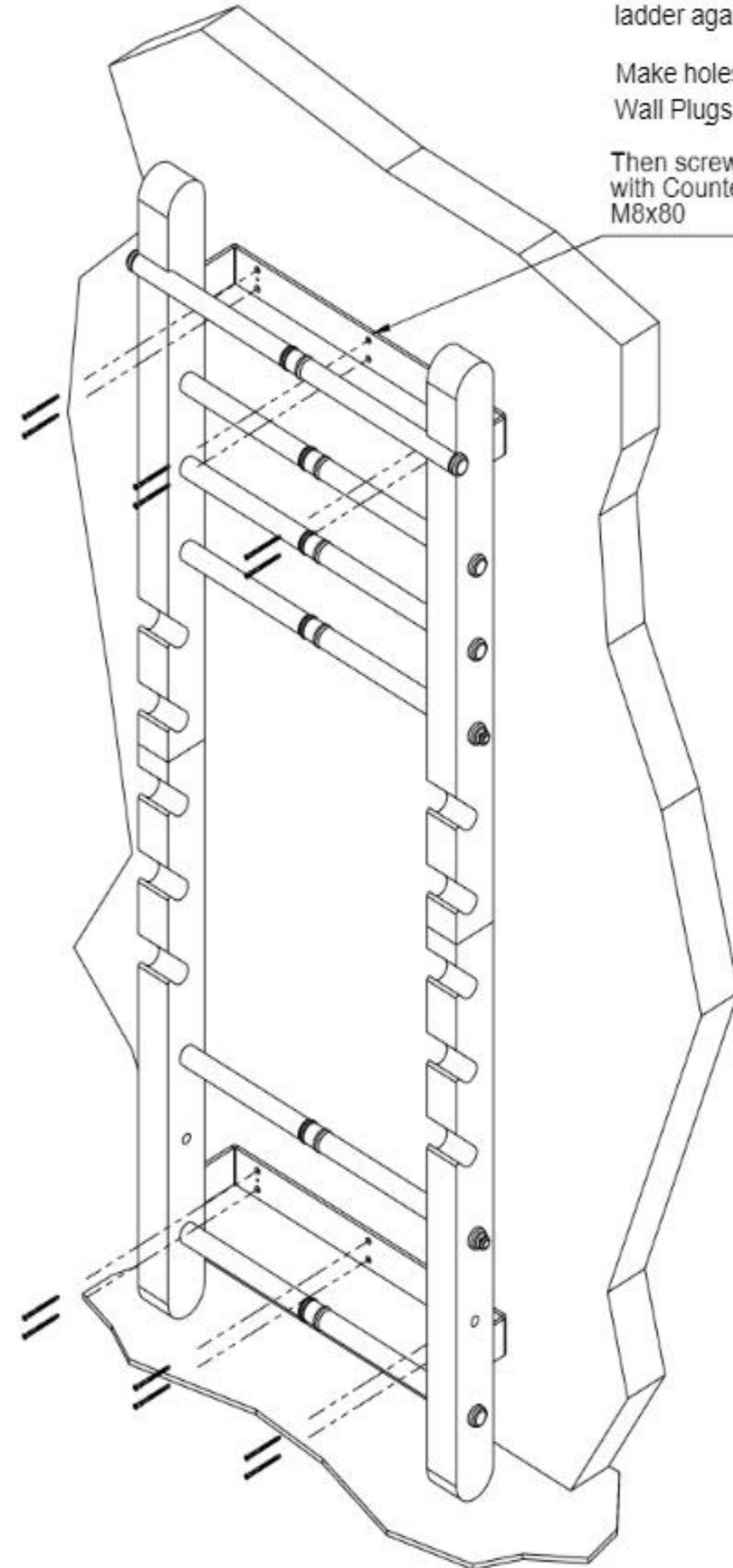
Tighten the Mounting Elements to the Beams with Countersunk Head Screws M6X30

### STEP 4

Mark the holes by placing a ladder against the wall.

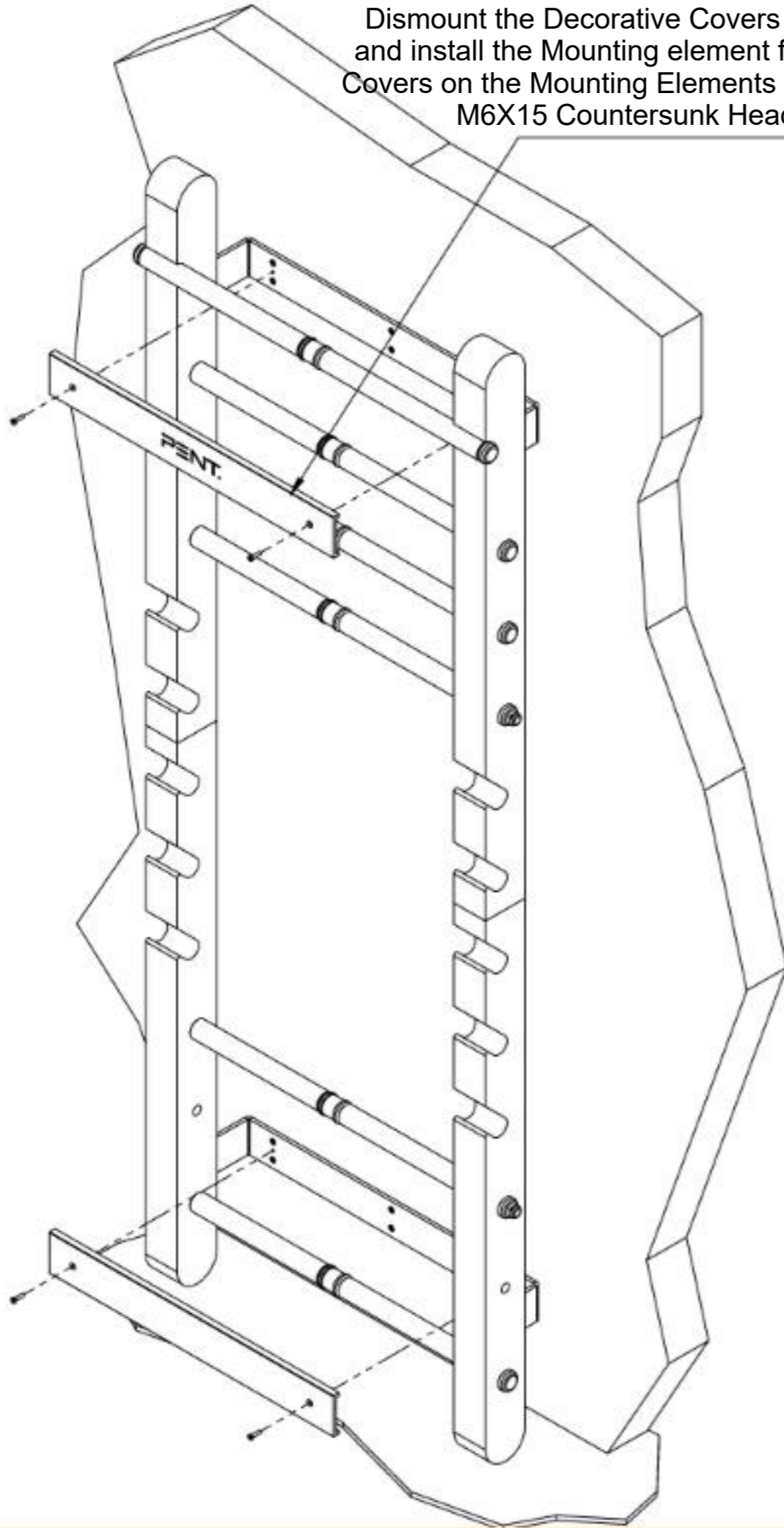
Make holes in the wall to place Wall Plugs.

Then screw the ladder to the wall with Countersunk Head Screws M8x80



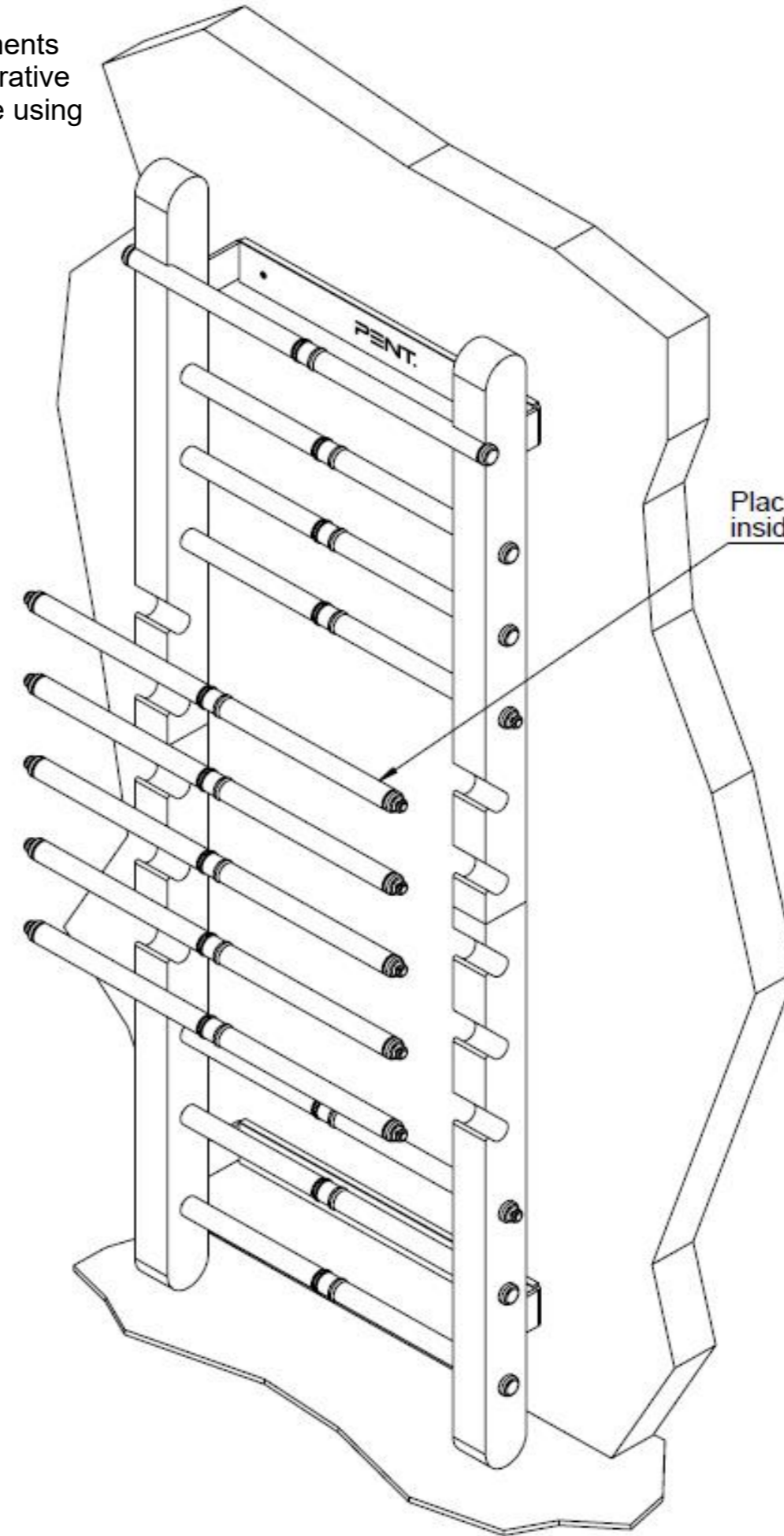
## STEP 5

Dismount the Decorative Covers from the Mounting Elements and install the Mounting element first then place the Decorative Covers on the Mounting Elements and screw them in place using M6X15 Countersunk Head Screws (2 pcs/each)



## STEP 6

Place the Removable Rungs inside slots in Beams



# FINISHED ASSEMBLY

