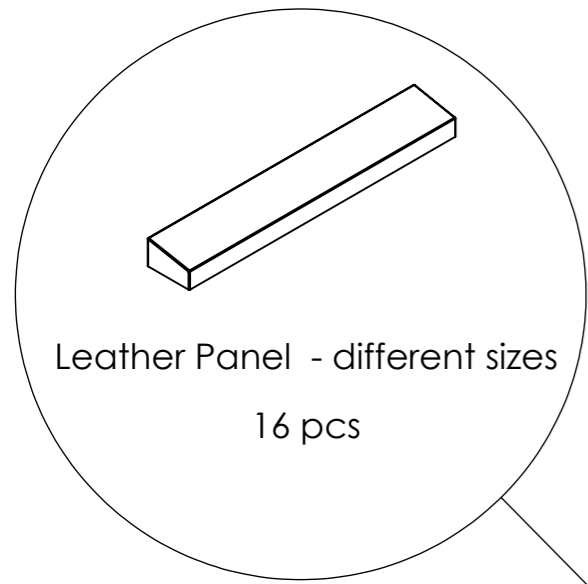


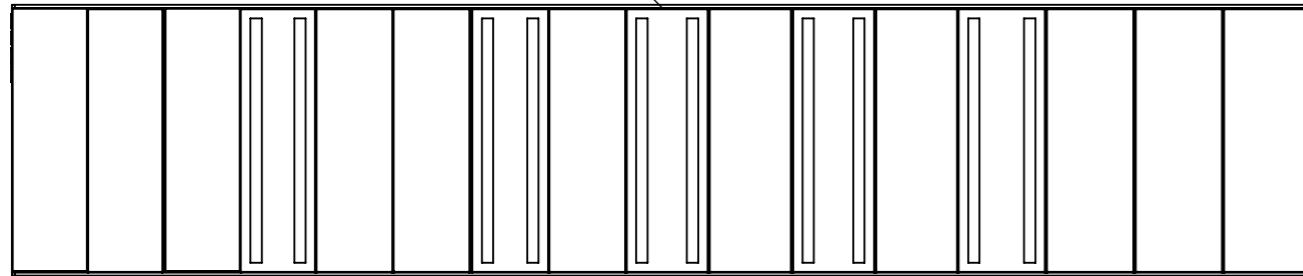
LIST OF KIT ELEMENTS

COLMIA Power



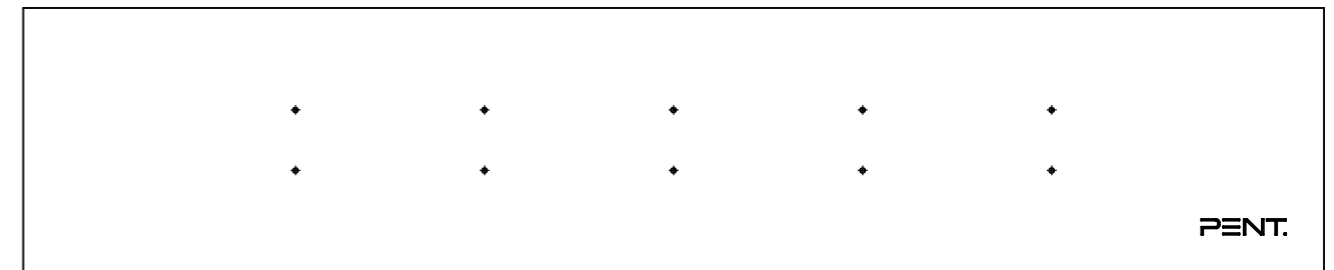
Leather Panel - different sizes

16 pcs



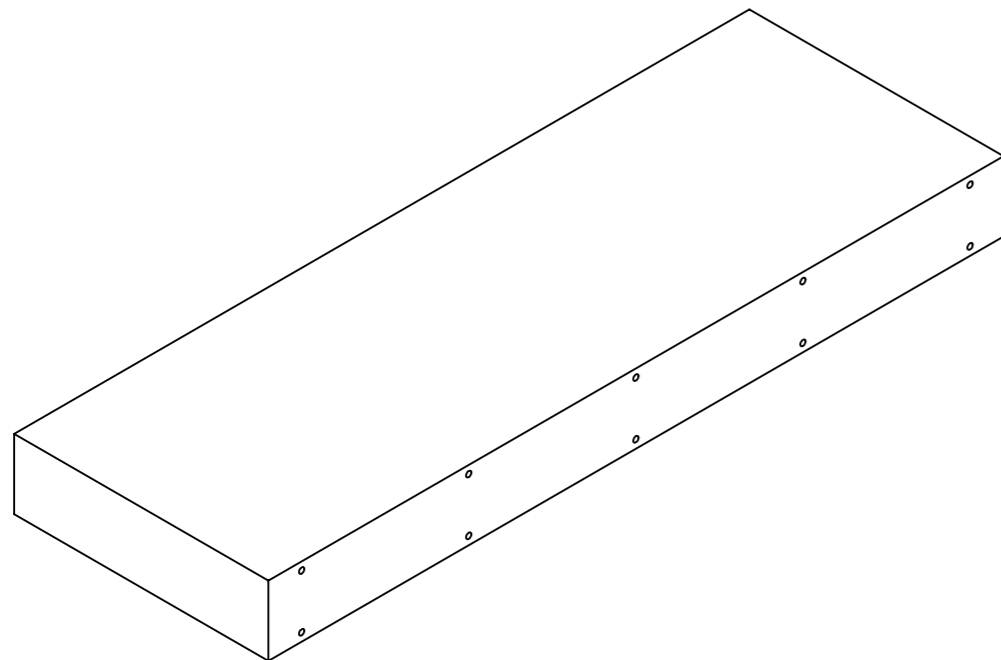
Metal Top Shelf of the Stand

1 pc



Base of the Stand

1 pc

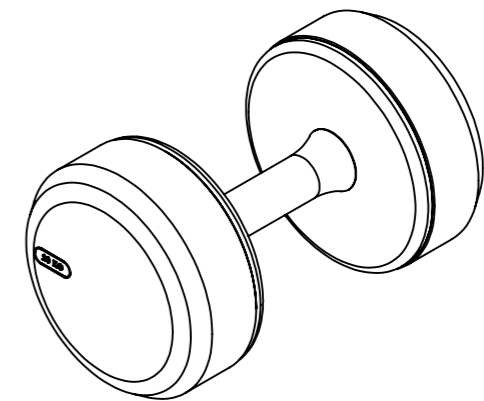


Leg of the Stand

1 pc



Countersunk Head Screw
M6x50 - 10 pcs
M6x25 - 10 pcs

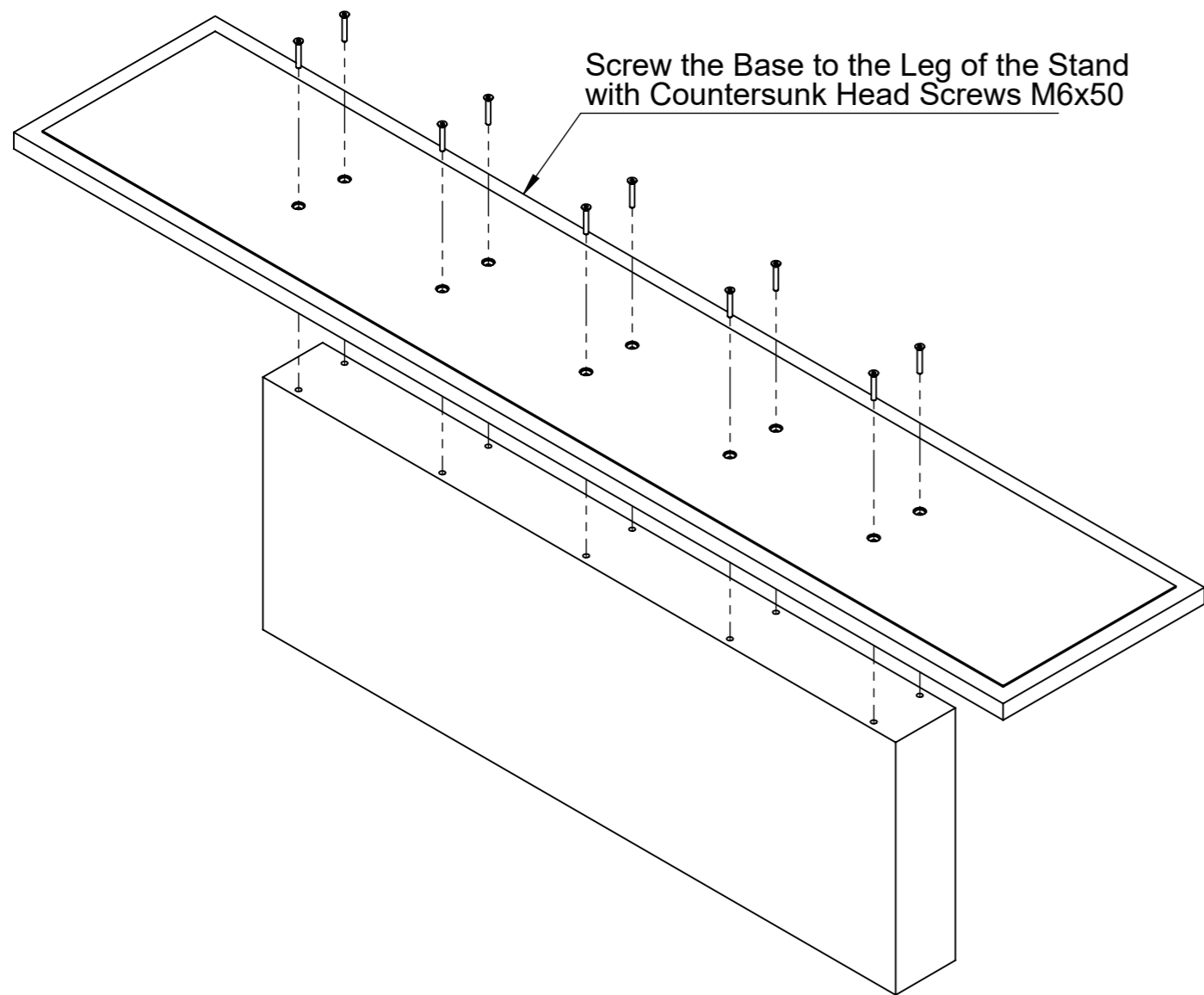


Dumbbells

14 kg, 16 kg, 18 kg, 20 kg

one pair each

STEP 1

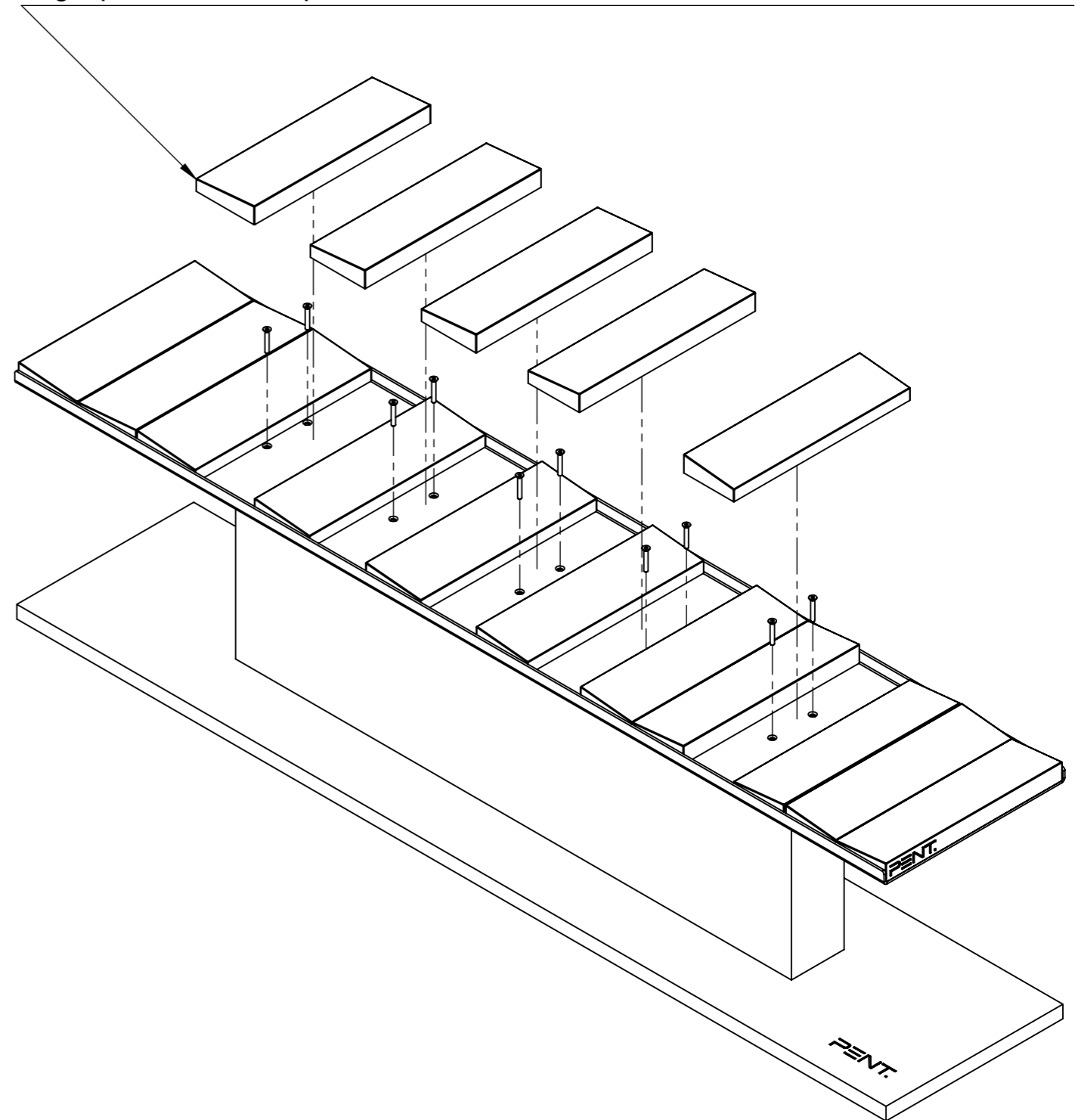


STEP 2

The Stand is delivered with Leather Panels already on it.

Top Shelf mounting holes are located under the Leather Panels placed upside down on the Top Shelf.

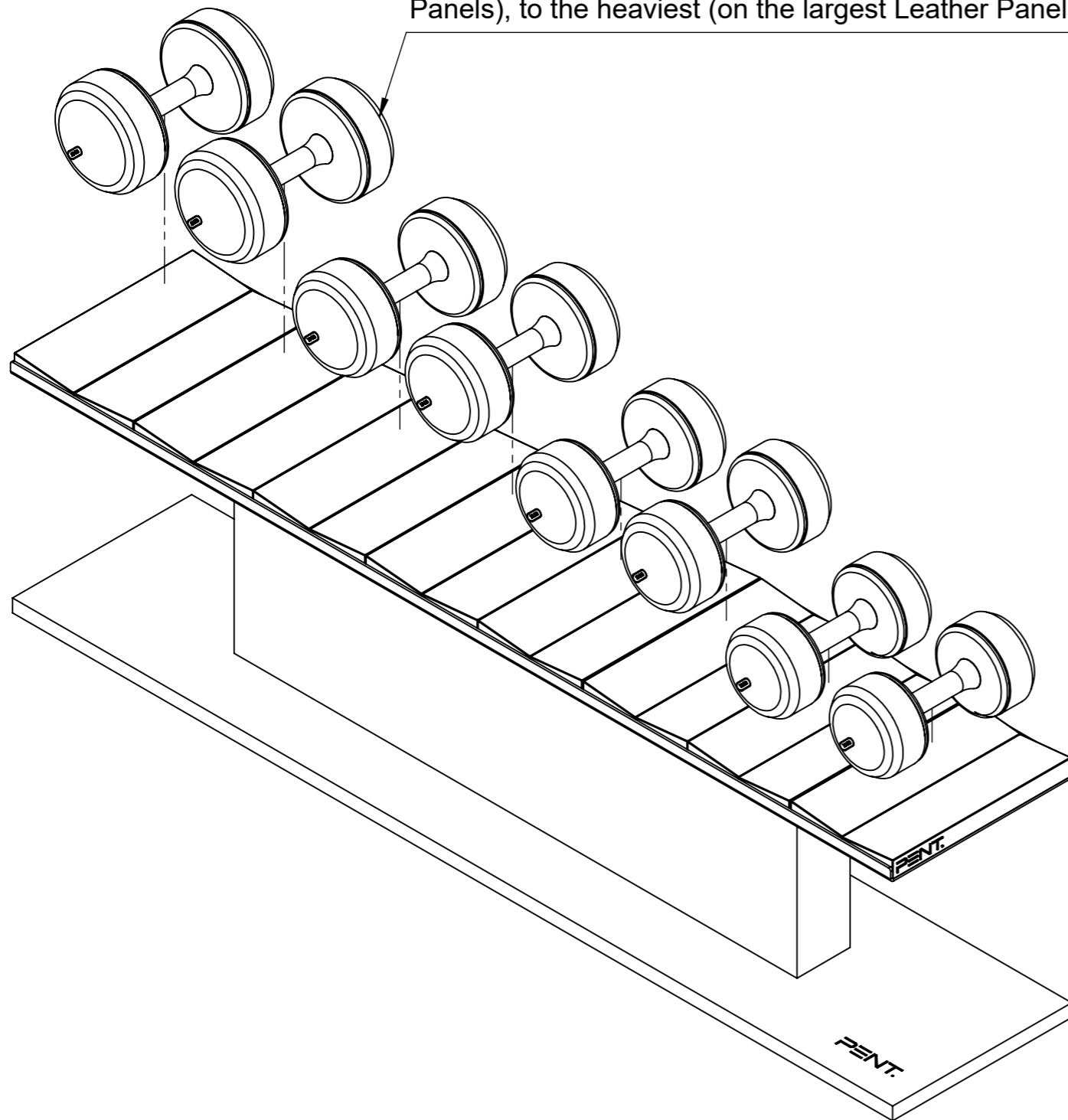
The Leather Panels placed upside down need to be removed. Screw the Top Shelf with Countersunk Screws M6x25, then place the removed Leather Panels in the right places on the Top Shelf.



STEP 3

Place the Dumbbells on the Leather Panels in pairs of the same weight.

Place the Dumbbells from the lightest (on the smallest Leather Panels), to the heaviest (on the largest Leather Panels)



FINISHED ASSEMBLY

