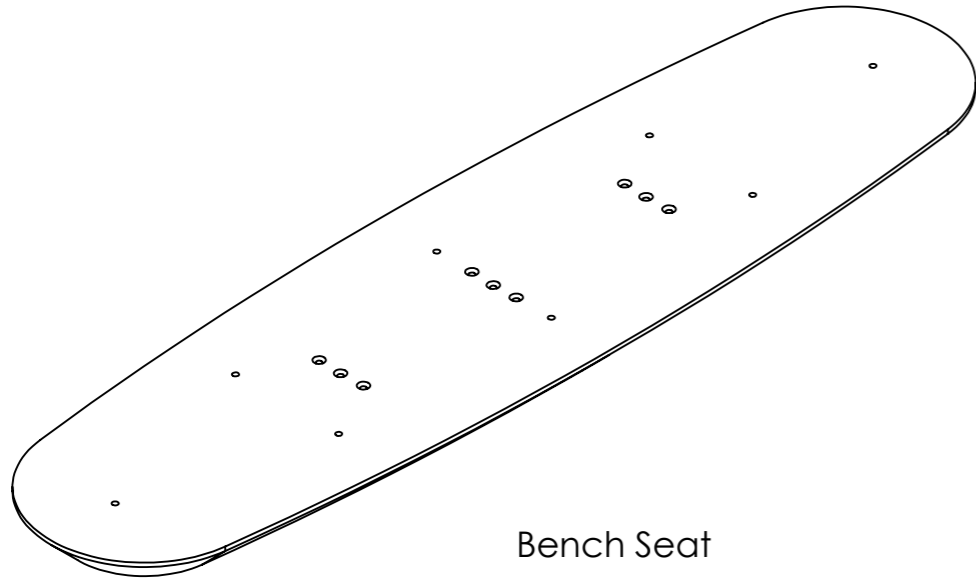
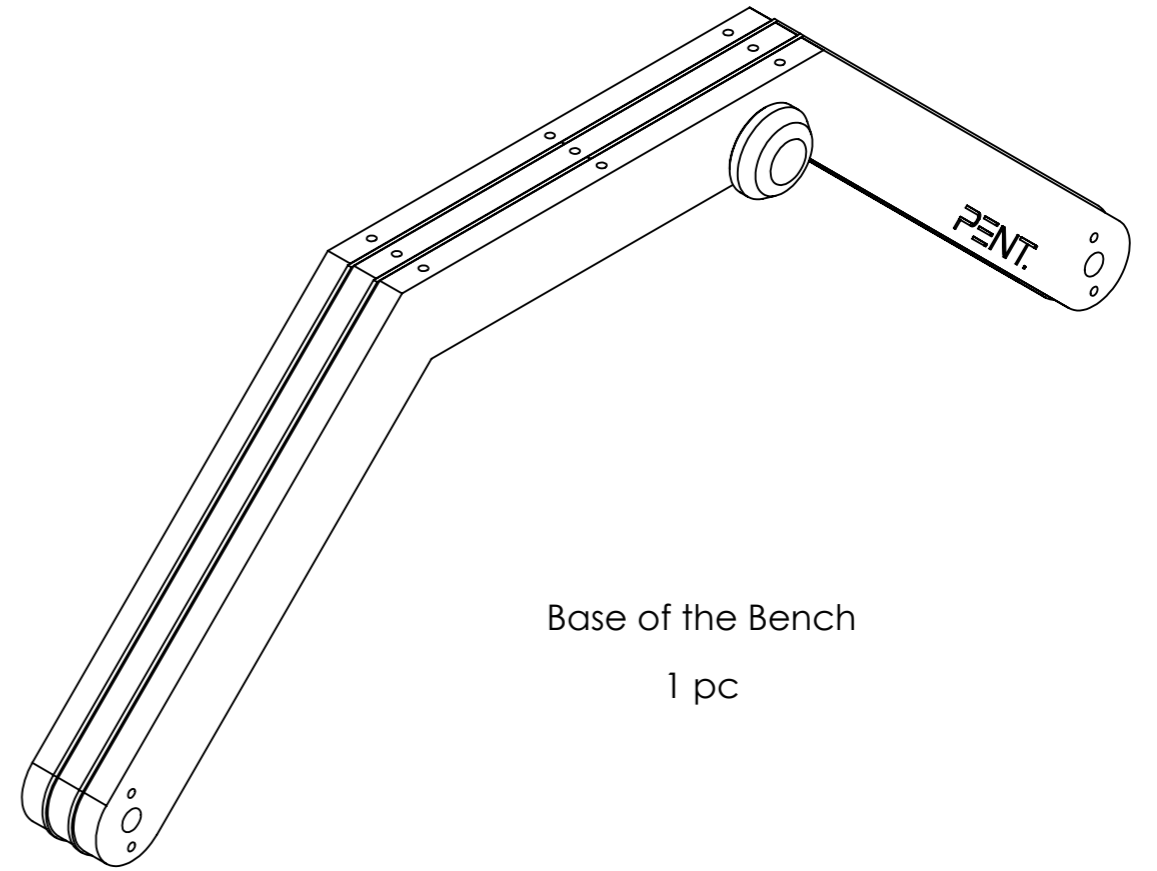


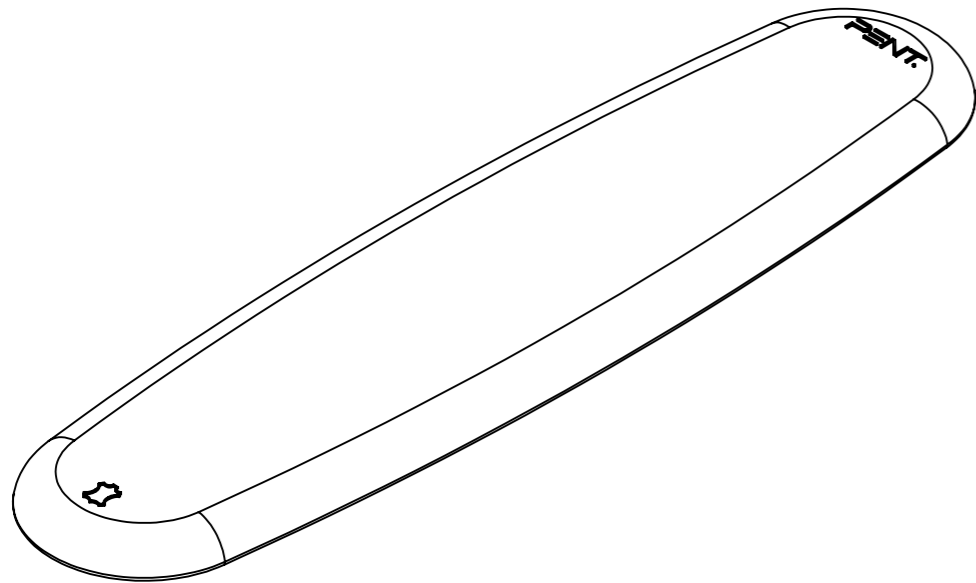
©GH'C: '9#9 ©A9BHG  
65B?5 '6 UgjW



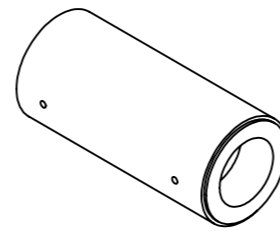
Bench Seat  
1 pc



Base of the Bench  
1 pc



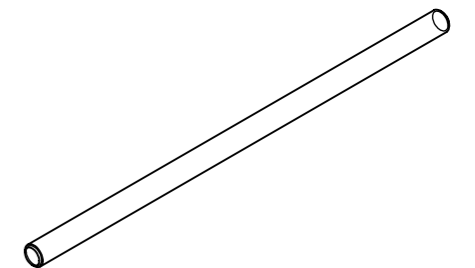
Bench Seat Upholstery  
1 pc



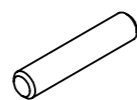
Wooden Support of the Bench  
4 pcs



Tracery  
4 pcs



Threaded Rod  
2 pcs



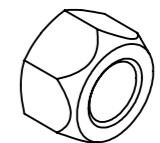
Wooden Peg  
8 pcs



Split Washer  
4 pcs



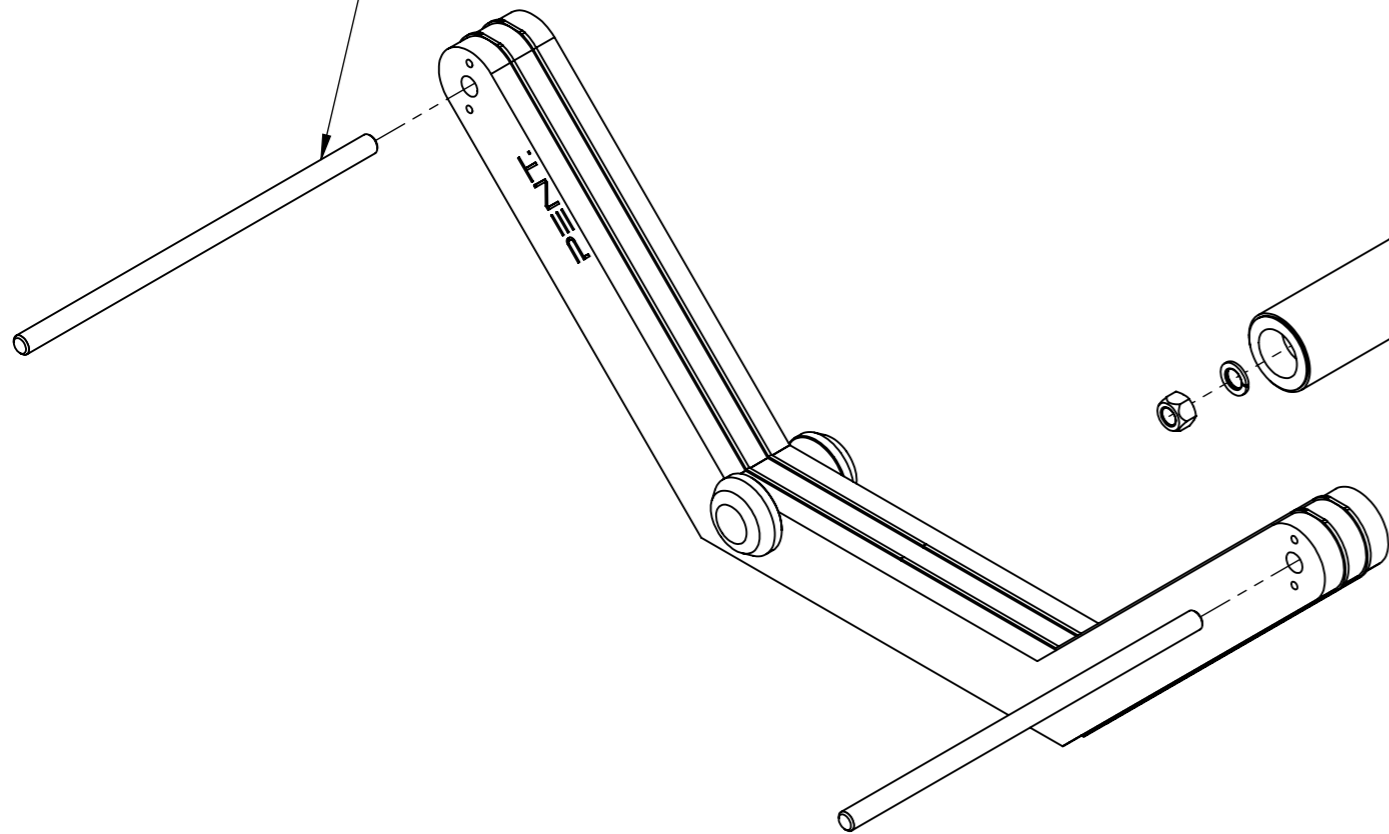
Countersunk Screw  
M6x65 - 17 pcs



Nut M20  
4 pcs

## STEP 1

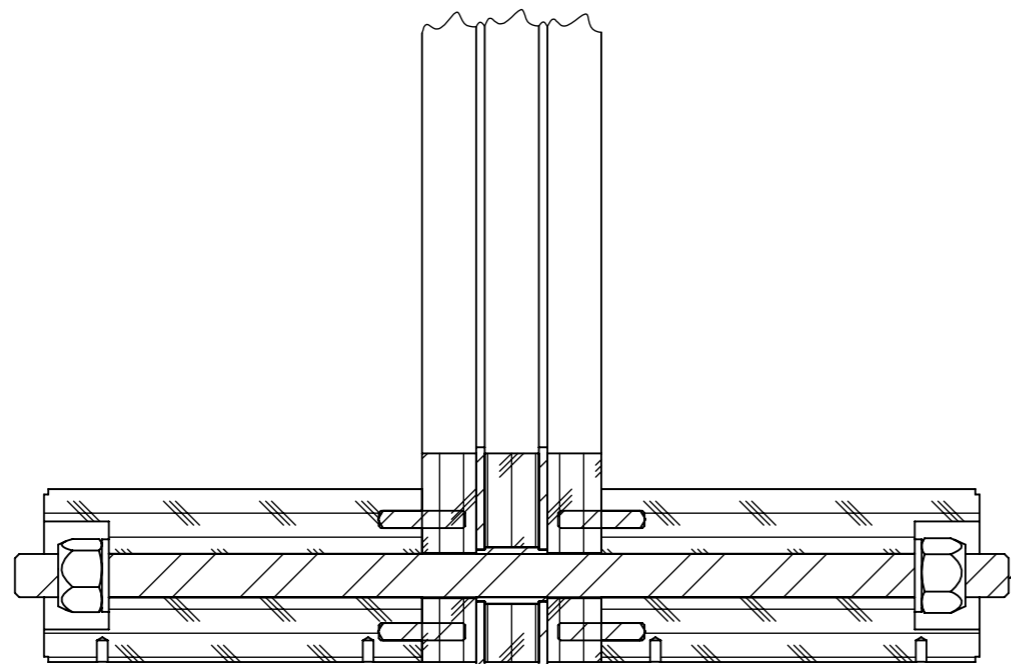
Lead the Threaded Rods through the holes in the Base of the Bench



## STEP 2

Pre-arrange the Rods in a symmetrical way.  
Put the Wooden Supports of the Bench on the Rods with the Wooden Pegs.  
Screw the M20 nuts included in the kit on each side of the Rods.  
Place split washers underneath the nuts

## TIGHTENING METHOD



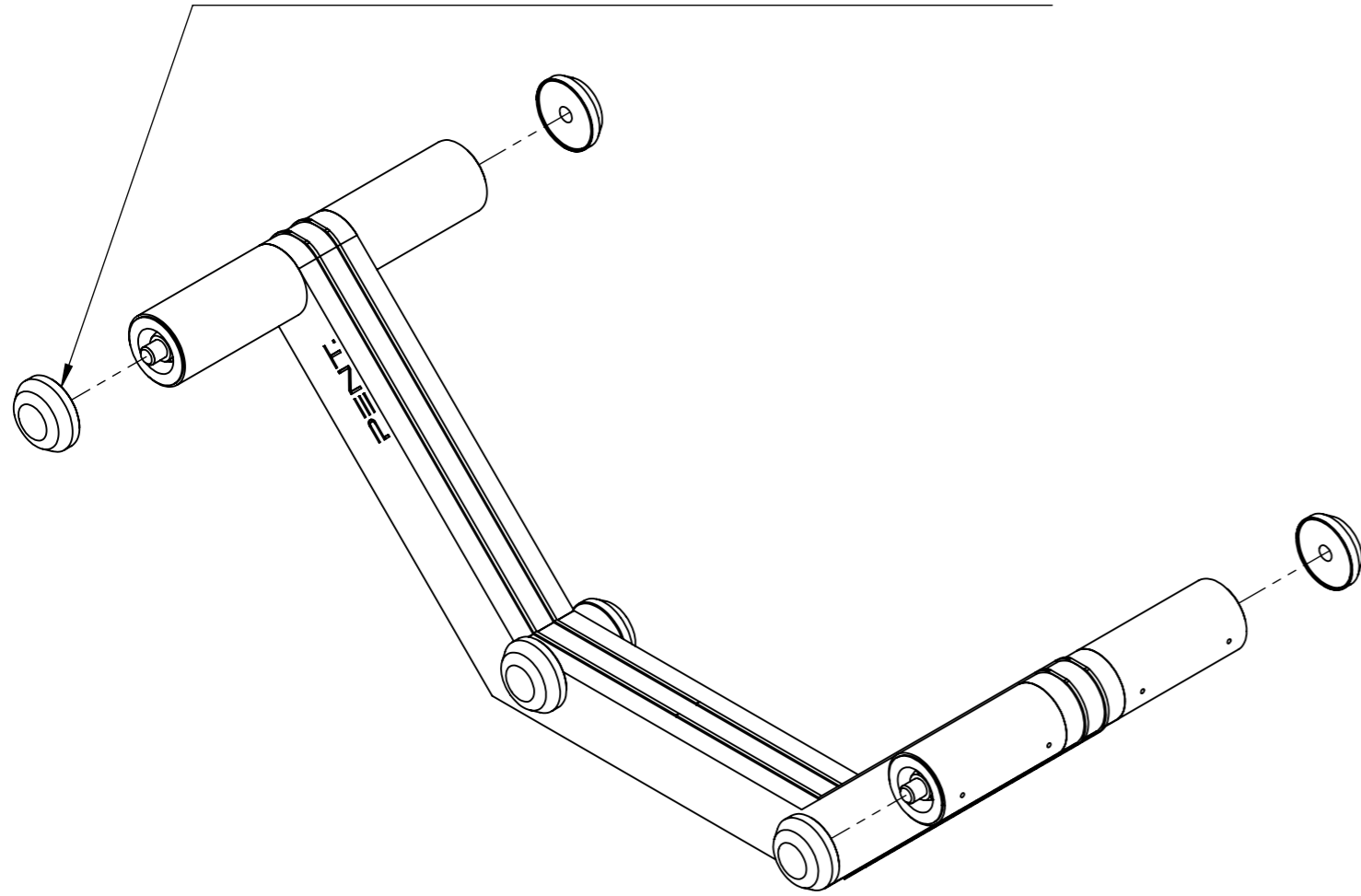
Adjust the length of the Rods on each side, the Rods should be the same length on both sides.

Tighten the M20 nuts. The nuts should be tightened with two wrenches.  
Tighten the left and the right nut at the same time.

### STEP 3

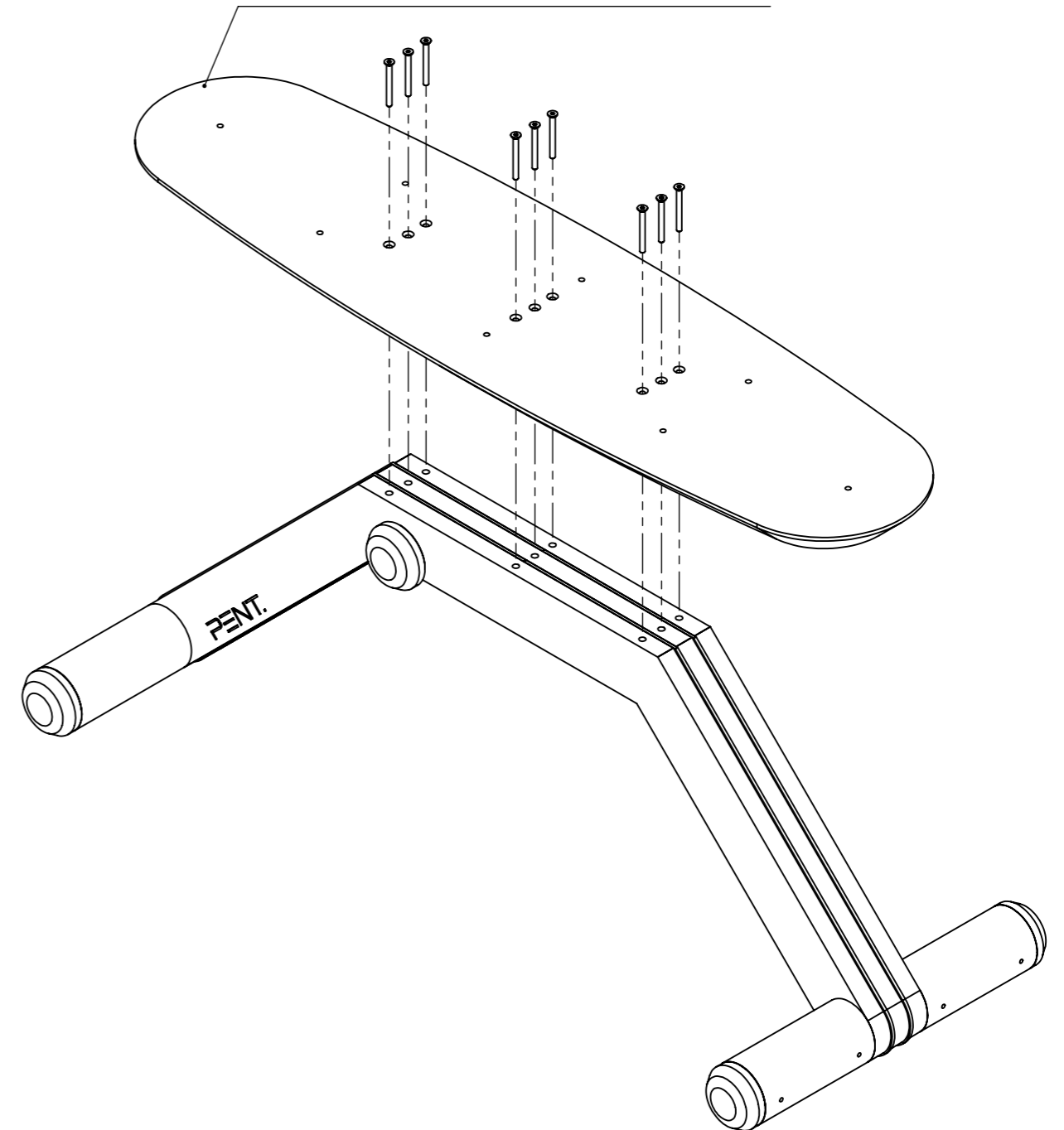
Screw the Tracery of the Bench's Wooden Supports onto the protruding sections of the Rods.

Tighten as much as possible by hand, without the use of tools

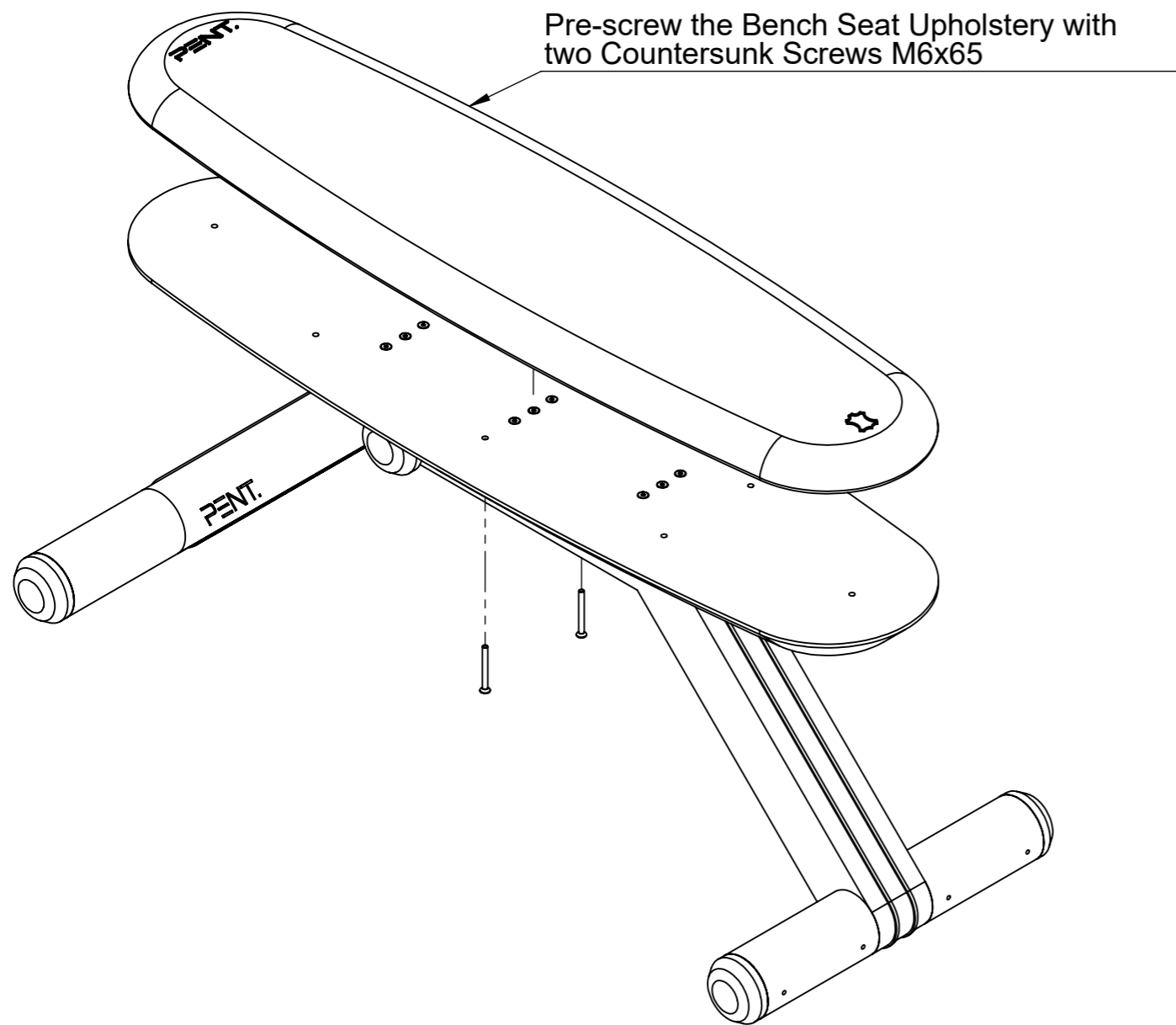


### STEP 4

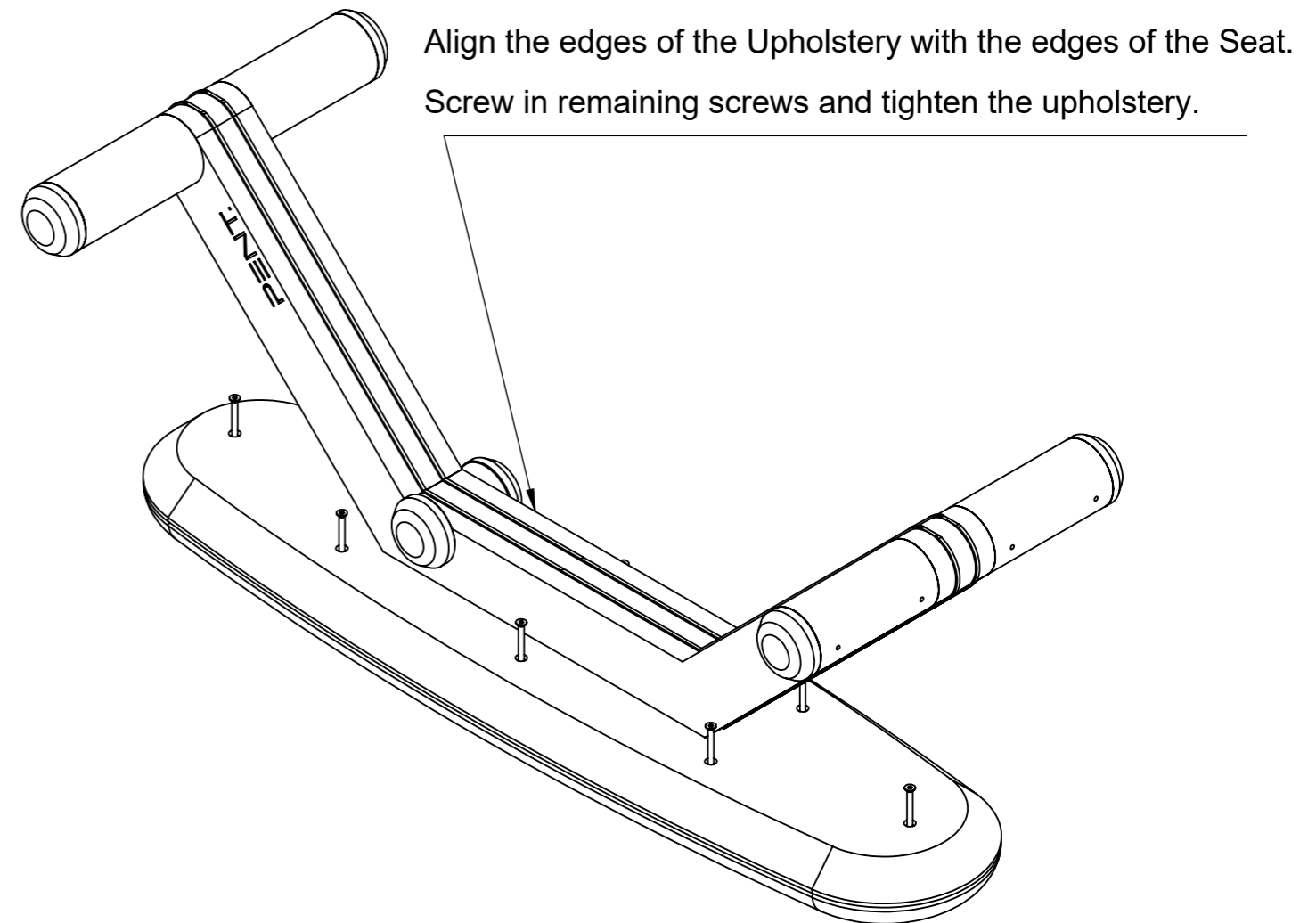
Screw the Seat to the Base of the Bench with Countersunk Screws M6x65



## STEP 5



## STEP 6



# FINISHED ASSEMBLY

