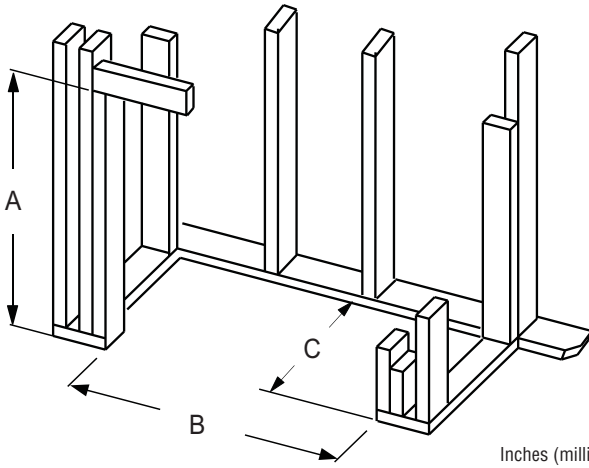


BRT 4000 / 4300 SERIES

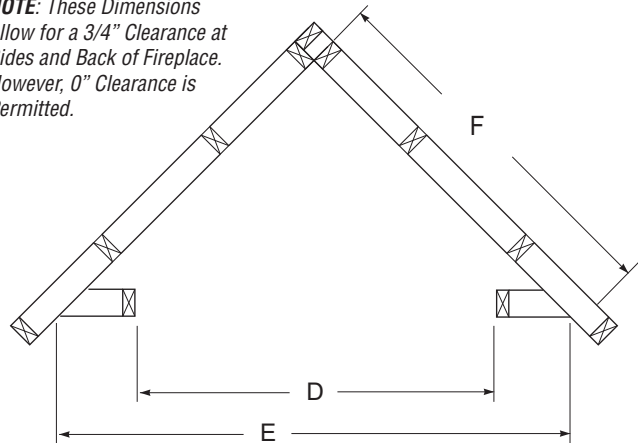
B-VENT FIREPLACES

Framing Dimensions



Inches (millimeters)

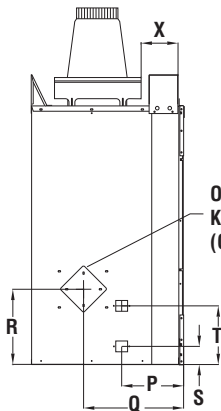
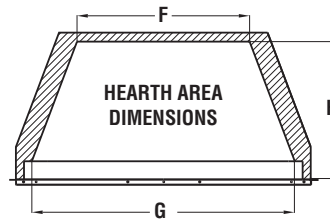
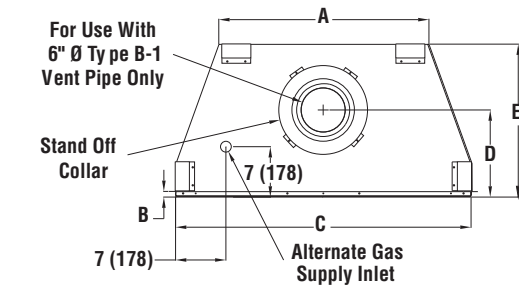
NOTE: These Dimensions Allow for a 3/4" Clearance at Sides and Back of Fireplace. However, 0" Clearance is Permitted.



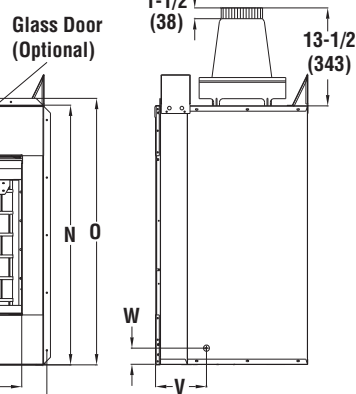
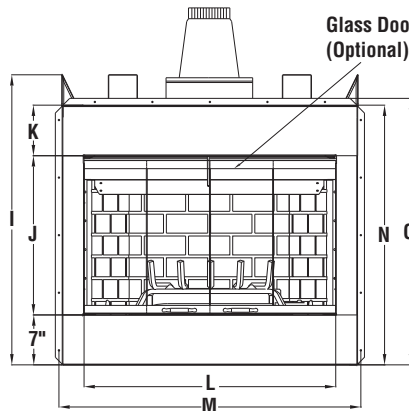
Models	A	B	C
36"	40-3/8 (1026)	41-1/4 (1048)	21-3/8 (543)
42"	44-3/8 (1127)	48-1/4 (1226)	23-1/8 (588)

Models	D	E	F
36"	41-1/4 (1048)	73-7/8 (1877)	52-1/4 (1327)
42"	48-1/4 (1226)	83-7/8 (2131)	59-3/8 (1508)

Fireplace Dimensions



Outside Air Kit Location (Optional)



	36" Model	42" Model
A	29 (737)	36 (915)
B	5/8 (16)	5/8 (16)
C	41 (1042)	48 (1220)
D	12 (305)	14 (356)
E	21-1/4 (540)	23 (585)
F	22-1/4 (566)	29-1/4 (743)
G	32-5/8 (829)	39-1/2 (1004)
H	15-3/4 (400)	17-3/4 (451)
I	40-1/4 (1023)	44-1/4 (1124)
J	21 (534)	24 (610)
K	8 (204)	9 (229)
L	34-3/4 (883)	42 (1067)
M	42 (1067)	49 (1245)
N	36 (915)	40 (1016)
O	37 (940)	41 (1042)
P	8-5/8 (220)	10-1/2 (267)
Q	13-7/8 (353)	14 (356)
R	10-1/2 (267)	12-1/2 (318)
S	2-1/2 (64)	2-1/2 (64)
T	8-1/8 (207)	8-1/8 (207)
U	11 (280)	12-3/4 (324)
V	7 (178)	7 (178)
W	2-1/4 (58)	2-1/4 (58)
X	5 (127)	4-1/2 (115)

Diagrams, illustrations and photographs are not to scale. Consult installation instructions. Product designs, materials, dimensions, specifications, colors, and prices are subject to change or discontinuance without notice.

BRT 4000 / 4300 SERIES

Product Information

Cat. #	Model	Weight	Cu. Ft.
F0814	BRT4036TMN	140 lb.	23.8
F0815	BRT4036TMP	140 lb.	23.8
F0816	BRT4036TEN	140 lb.	23.8
F0817	BRT4036TEP	140 lb.	23.8
F0826	BRT4042TMN	162 lb.	23.8
F0827	BRT4042TMP	162 lb.	23.8
F0828	BRT4042TEN	162 lb.	23.8
F0829	BRT4042TEP	162 lb.	23.8

Cat. #	Model	Weight	Cu. Ft.
F0818	BRT4336TMN	225 lb.	23.8
F0819	BRT4336TMP	225 lb.	23.8
F0820	BRT4336TEN	225 lb.	23.8
F0821	BRT4336TEP	225 lb.	23.8
F0830	BRT4342TMN	257 lb.	23.8
F0831	BRT4342TMP	257 lb.	23.8
F0832	BRT4342TEN	257 lb.	23.8
F0833	BRT4342TEP	257 lb.	23.8

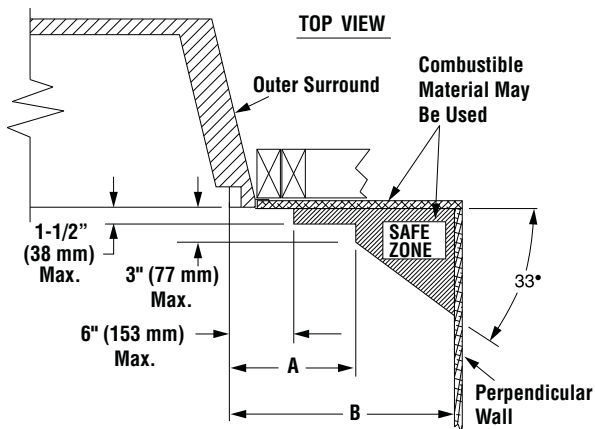
Listing Information



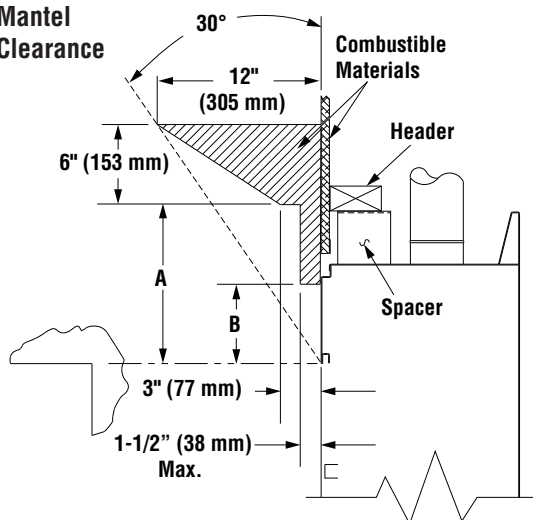
This fireplace complies with the National Safety Standards and is listed by PFS Corporation to ANSI Z21.50/CSA 2.22 standard as a vented gas fireplace.

Clearances

Side Wall Clearance



Mantel Clearance



Side Wall Clearance		
	36"	42"
A	9" (229 mm)	6" (153 mm)
B	12" (305 mm)	9" (229 mm)

Mantel Clearance		
	36"	42"
A	14" (356 mm)	15" (381 mm)
B	8" (204 mm)	9" (229 mm)

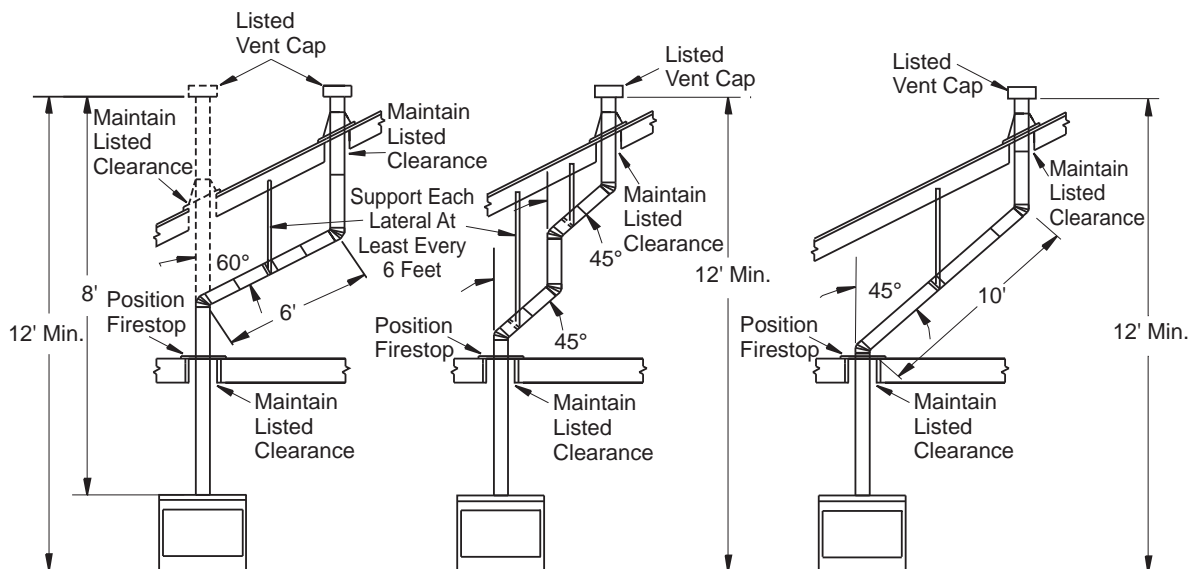
Minimum Clearances to Combustibles		
Back and Sides of Outer Surround	0"	0 mm
Drywall to Sides of Front Face (Nailing Flanges)	0"	0 mm
"B" Vent Surfaces	1"	26 mm
Ceiling to Opening	42"	1067 mm
Floor	0"	0 mm

* 3/4" clearance not required at nailing flanges.

**If fireplace is to be installed directly on carpeting, vinyl tile or any combustible material other than wood flooring, fireplace must be installed upon a metal or wood panel extending full width and depth of fireplace.

These models use 6" B-Vent

Venting



NOTE: DIAGRAMS & ILLUSTRATIONS ARE NOT TO SCALE.
 Printed in U.S.A. © 2016 Innovative Hearth Products
 P/N 900701-00 REV. NC 05/2016

Specifications and clearances are subject to change without notice. Refer to Installation Manual before installation of these appliances for updated dimensions and instructions.

