

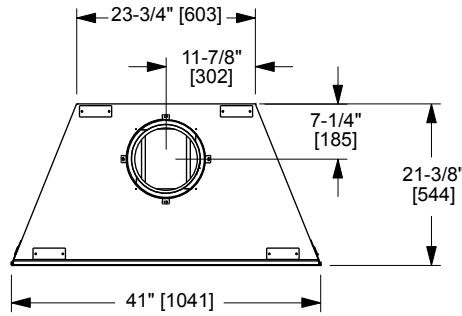


Please consult the manufacturer's installation manual for all details and requirements before making a final design layout decision.

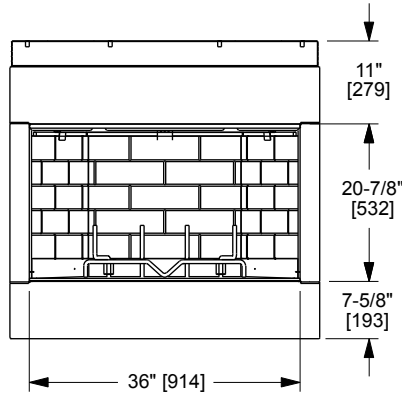
# Villawood 36

Outdoor Wood Fireplace

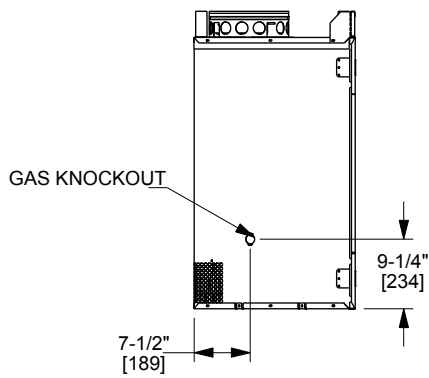
| MODEL                          | FRONT WIDTH |         | BACK WIDTH |         | HEIGHT |         | DEPTH  |         | VIEWING AREA |
|--------------------------------|-------------|---------|------------|---------|--------|---------|--------|---------|--------------|
|                                | Actual      | Framing | Actual     | Framing | Actual | Framing | Actual | Framing |              |
| ODVILLA-36T-B<br>ODVILLA-36H-B | 41          | 42      | 23-3/4     | 42      | 39-1/2 | 39-3/4  | 21-3/8 | 21-1/2  | 36 x 20-7/8  |



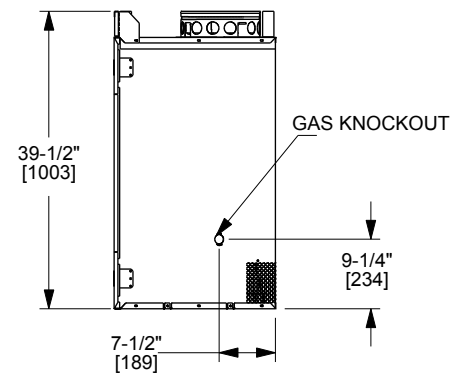
Top View



Front View

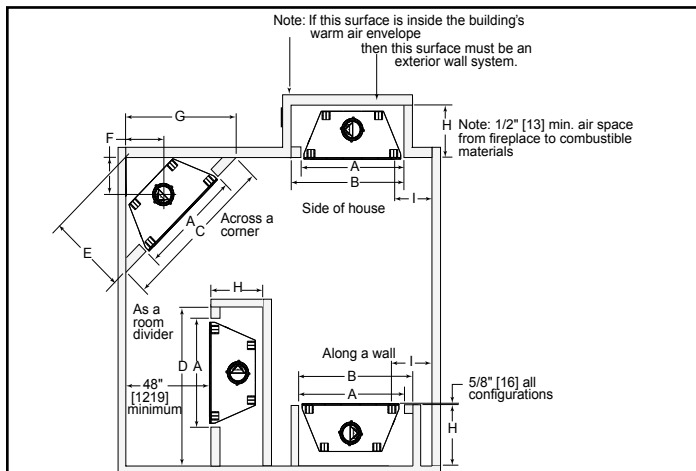


Left View



Right View

**APPLIANCE LOCATION**

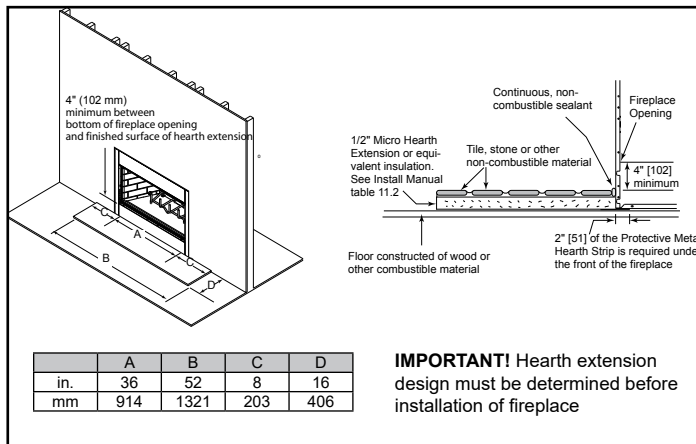


Note: Measurements are FRAMING dimensions only and do not include drywall either in the cavity or on the walls

|     | A    | B    | C      | D      | E   | F   | G    | H      | I         |
|-----|------|------|--------|--------|-----|-----|------|--------|-----------|
| in. | 42   | 50   | 67-7/8 | 59-1/2 | 34  | 14  | 48   | 21-1/2 | *See Note |
| mm  | 1067 | 1270 | 1724   | 1511   | 864 | 356 | 1219 | 549    | Note      |

\* I = 12" [305] minimum from fireplace opening to any perpendicular wall

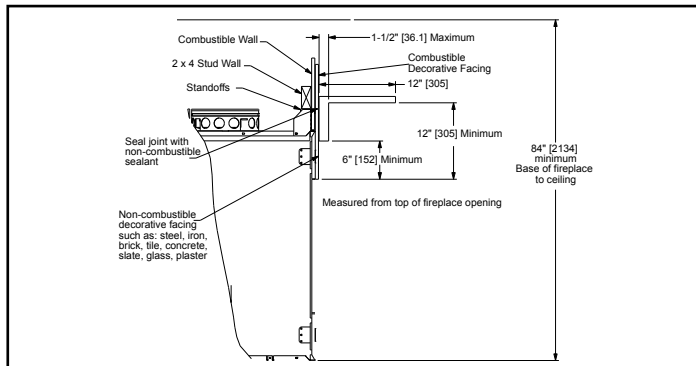
**HEARTH EXTENSION**



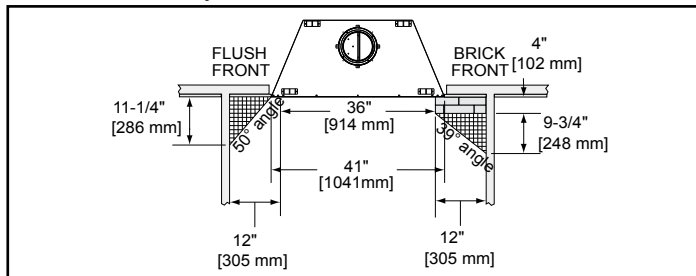
|     | A   | B    | C   | D   |
|-----|-----|------|-----|-----|
| in. | 36  | 52   | 8   | 16  |
| mm  | 914 | 1321 | 203 | 406 |

**IMPORTANT!** Hearth extension design must be determined before installation of fireplace

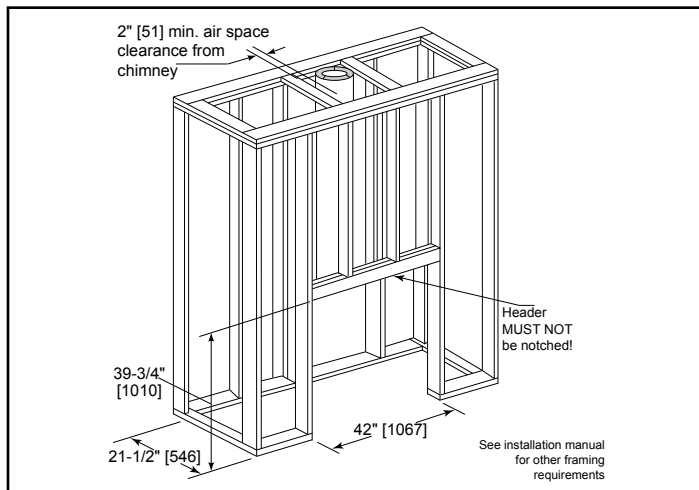
**MANTEL PROJECTIONS**



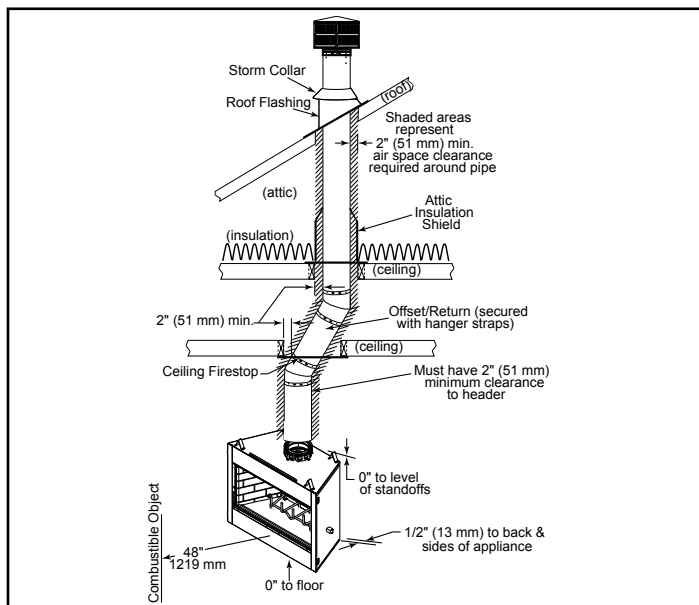
**MANTEL LEG/WALL PROJECTIONS**



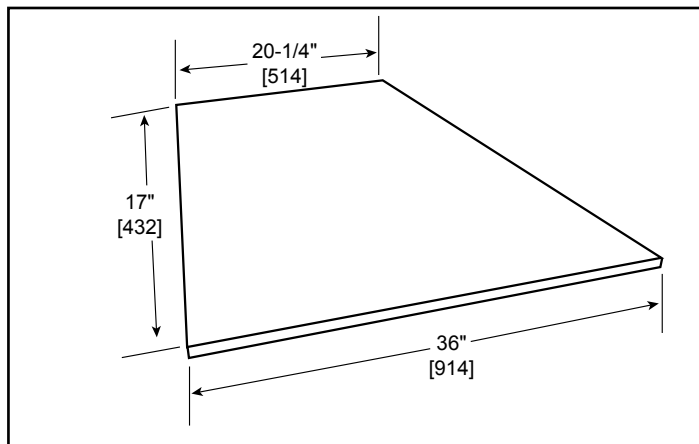
**FRAMING DIMENSIONS**



**CLEARANCES TO COMBUSTIBLES**



**HEARTH DIMENSIONS**



| PRODUCT LISTING CODES |       |
|-----------------------|-------|
|                       | UL127 |

Product information provided is not complete and is subject to change without notice. Product installation must adhere strictly to instructions accompanying product to avoid risk of fire and potential injury.

Additional information can be found online at [www.fireplaces.com](http://www.fireplaces.com)

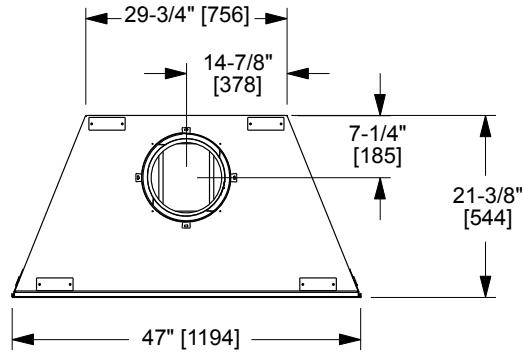


Please consult the manufacturer's installation manual for all details and requirements before making a final design layout decision.

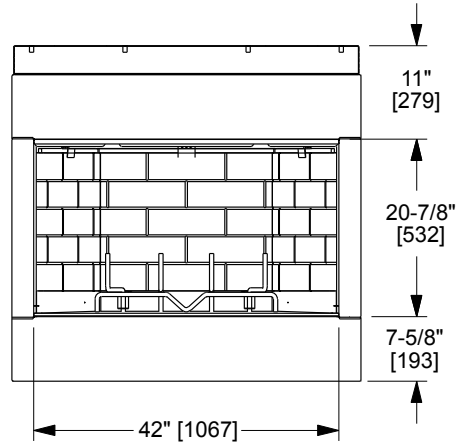
# Villawood 42

Outdoor Wood Fireplace

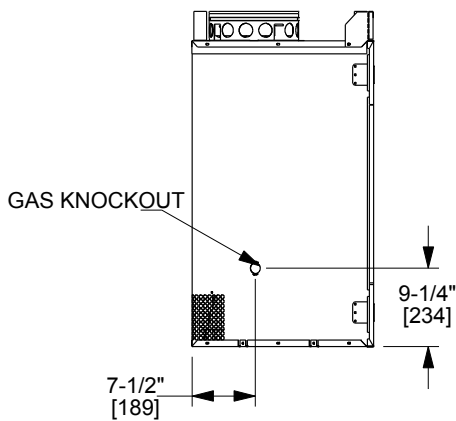
| MODEL                          | FRONT WIDTH |         | BACK WIDTH |         | HEIGHT |         | DEPTH  |         | VIEWING AREA |
|--------------------------------|-------------|---------|------------|---------|--------|---------|--------|---------|--------------|
|                                | Actual      | Framing | Actual     | Framing | Actual | Framing | Actual | Framing |              |
| ODVILLA-42T-B<br>ODVILLA-42H-B | 47          | 48      | 29-3/4     | 48      | 39-1/2 | 39-3/4  | 21-3/8 | 21-1/2  | 42 x 20-7/8  |



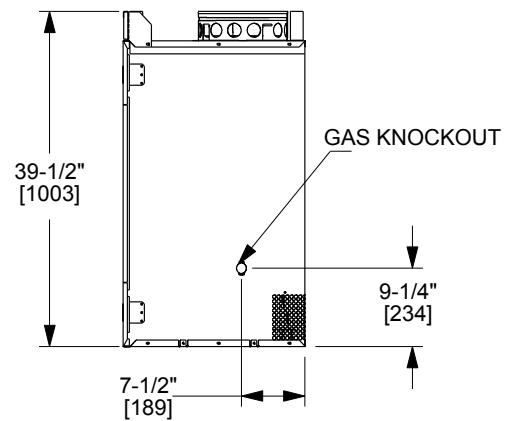
Top View



Front View



Left View



Right View

### APPLIANCE LOCATION

Note: If this surface is inside the building's warm air envelope then this surface must be an exterior wall system.

Note: 1/2" [13] min. air space from fireplace to combustible materials

Note: Measurements are FRAMING dimensions only and do not include drywall either in the cavity or on the walls

|     | A    | B    | C      | D      | E      | F   | G      | H      | I         |
|-----|------|------|--------|--------|--------|-----|--------|--------|-----------|
| in. | 48   | 56   | 73-7/8 | 65-1/2 | 37-1/4 | 17  | 52-1/4 | 21-1/2 | *See Note |
| mm  | 1219 | 1422 | 1876   | 1664   | 946    | 429 | 1327   | 546    | Note      |

\* I = 12" [305] minimum from fireplace opening to any perpendicular wall

### FRAMING DIMENSIONS

2" [51] min. air space clearance from chimney

39-3/4" [1010]

21-1/2" [546]

48" [1219]

Header MUST NOT be notched!

See installation manual for other framing requirements

### HEARTH EXTENSION

4" (102 mm) minimum between bottom of fireplace opening and finished surface of hearth extension

Continuous, non-combustible sealant

Fireplace Opening

1/2" Micro Hearth Extension or equivalent insulation. See Install Manual table 11.2

Tile, stone or other non-combustible material

4" [102] minimum

Floor constructed of wood or other combustible material

2" [51] of the Protective Metal Hearth Strip is required under the front of the fireplace

|     | A    | B    | C   | D   |
|-----|------|------|-----|-----|
| in. | 42   | 66   | 12  | 20  |
| mm  | 1067 | 1676 | 305 | 508 |

**IMPORTANT!** Hearth extension design must be determined before installation of fireplace

### CLEARANCES TO COMBUSTIBLES

Storm Collar

Roof Flashing

Shaded areas represent 2" (51 mm) min. air space clearance required around pipe

(attic)

Attic Insulation Shield

(insulation)

(ceiling)

Offset/Return (secured with hanger straps)

2" (51 mm) min.

Ceiling Firestop

Must have 2" (51 mm) minimum clearance to header

0" to level of standoffs

1/2" (13 mm) to back & sides of appliance

0" to floor

48" [1219 mm]

Combustible Object

### MANTEL PROJECTIONS

Combustible Wall

2 x 4 Stud Wall

Standoffs

Seal joint with non-combustible sealant

Non-combustible decorative facing such as: steel, iron, brick, tile, concrete, slate, glass, plaster

1-1/2" [38.1] Maximum

Combustible Decorative Facing

12" [305]

12" [305] Minimum

6" [152] Minimum

84" [2134] minimum Base of fireplace to ceiling

Measured from top of fireplace opening

### HEARTH DIMENSIONS

20-1/4" [514]

17" [432]

42" [1067]

### MANTEL LEG/WALL PROJECTIONS

FLUSH FRONT

BRICK FRONT

4" [102 mm]

11-1/4" [286 mm]

42" [1067 mm]

9-3/4" [248 mm]

47" [1194 mm]

12" [305 mm]

12" [305 mm]

50° angle

50° angle

| PRODUCT LISTING CODES |       |
|-----------------------|-------|
|                       | UL127 |

Product information provided is not complete and is subject to change without notice. Product installation must adhere strictly to instructions accompanying product to avoid risk of fire and potential injury.