

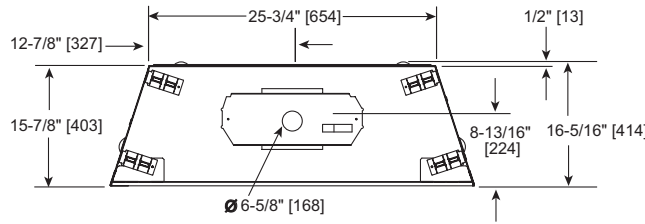
MAJESTIC

Please consult the manufacturer's installation manual for all details and requirements before making a final design layout decision.

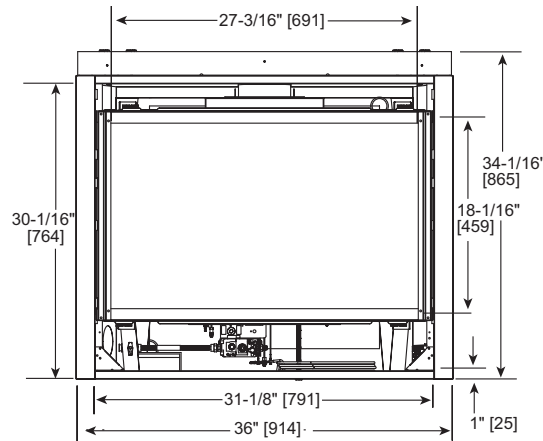
QUARTZ 32
Direct Vent Gas Fireplace

MODEL	HEIGHT		FRONT WIDTH		BACK WIDTH		DEPTH		GLASS SIZE
	ACTUAL	FRAMING	ACTUAL	FRAMING	ACTUAL	FRAMING	ACTUAL	FRAMING	
QUARTZ32 21,000 BTU (NG) 18,500 BTU (LP)	34-3/8" [873]	34-3/4" [882]	36" [913]	37" [940]	25-3/4" [653]	37" [940]	16-5/16" [415]	16-1/4" [413]	27-3/16" x 18-1/16" [691 X 459]

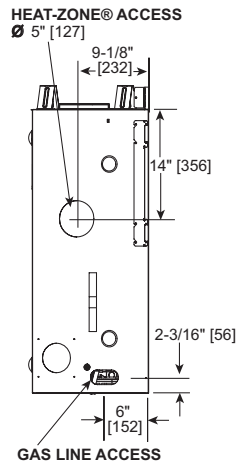
TOP VIEW



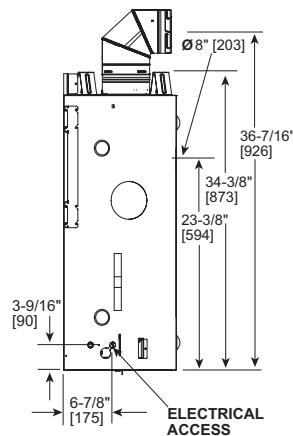
FRONT VIEW



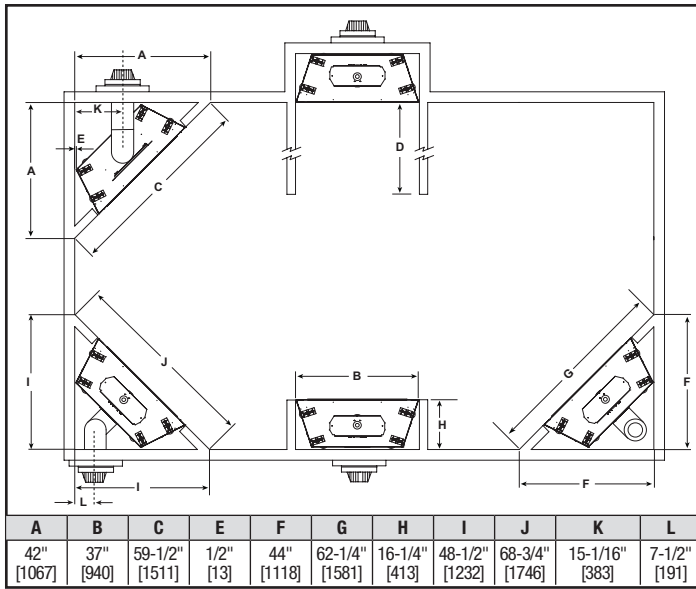
LEFT SIDE



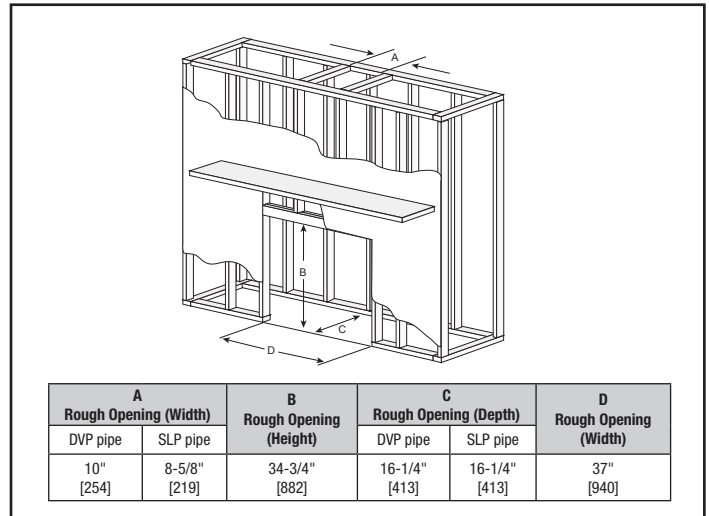
RIGHT SIDE



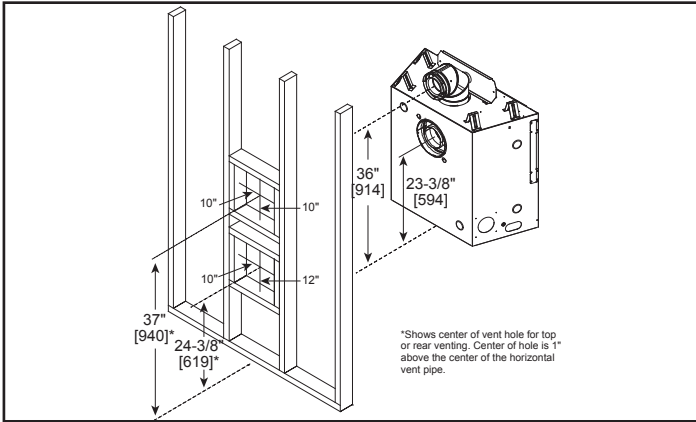
APPLIANCE LOCATION



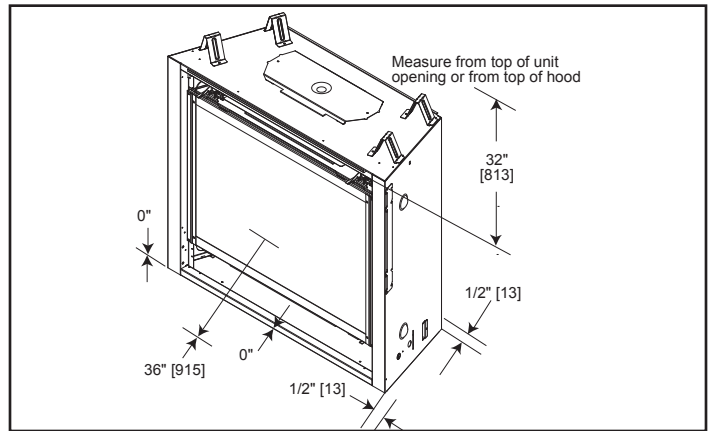
FRAMING DIMENSIONS



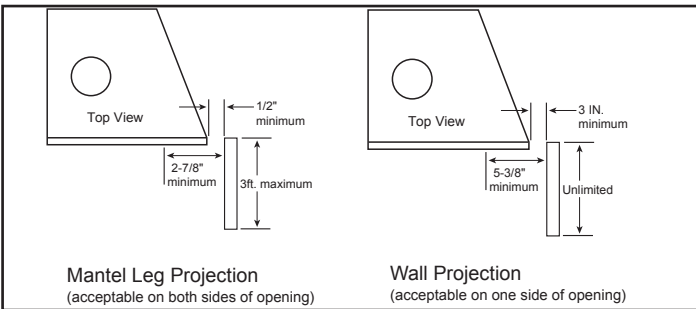
WALL PENETRATION



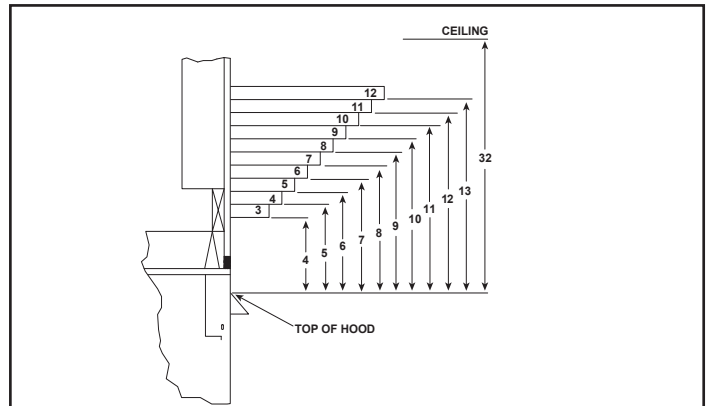
CLEARANCES TO COMBUSTIBLES



MANTLE LEG/WALL PROJECTIONS



MANTLE PROJECTIONS



PRODUCT LISTING CODES

US	ANSI Z21.88-2014
CAN	CSA 2.33-2014

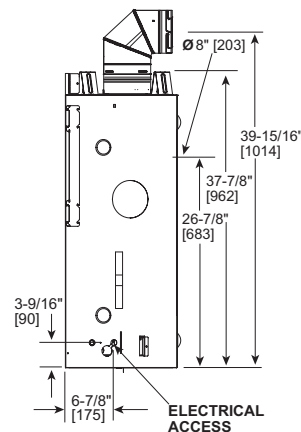
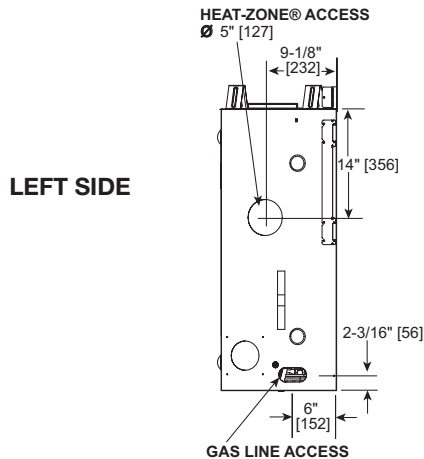
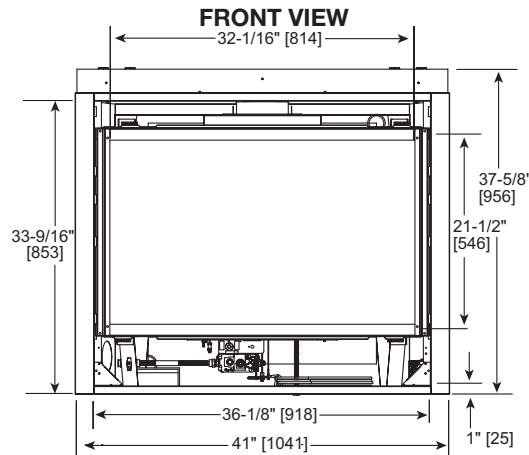
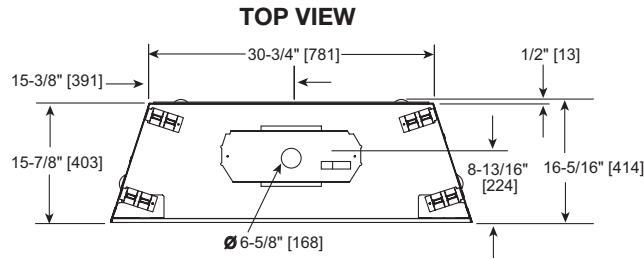
Product information provided is not complete and is subject to change without notice. Product installation must adhere strictly to instructions accompanying product to avoid risk of fire and potential injury.

MAJESTIC

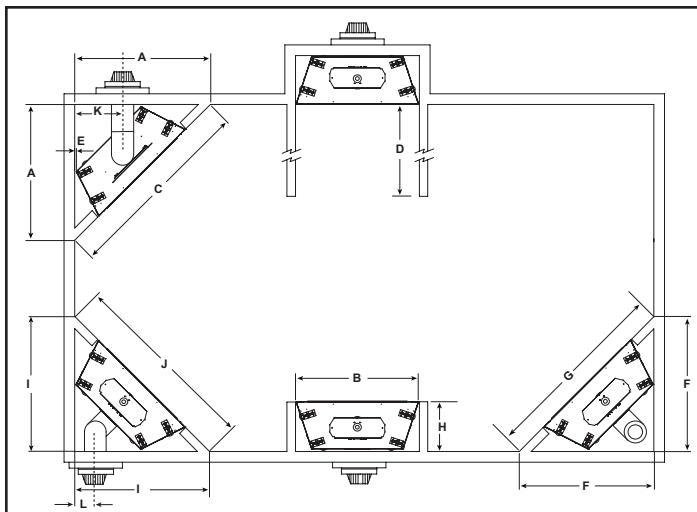
Please consult the manufacturer's installation manual for all details and requirements before making a final design layout decision.

QUARTZ 36
Direct Vent Gas Fireplace

MODEL	HEIGHT		FRONT WIDTH		BACK WIDTH		DEPTH		GLASS SIZE
	ACTUAL	FRAMING	ACTUAL	FRAMING	ACTUAL	FRAMING	ACTUAL	FRAMING	
QUARTZ36 24,000 BTU (NG) 20,500 BTU (LP)	37-7/8" [962]	38-1/4" [972]	41" [1041]	42" [1067]	30-3/4" [781]	42" [1067]	16-5/16" [415]	16-1/4" [413]	32-1/16" x 21-1/12" [814 X 546]

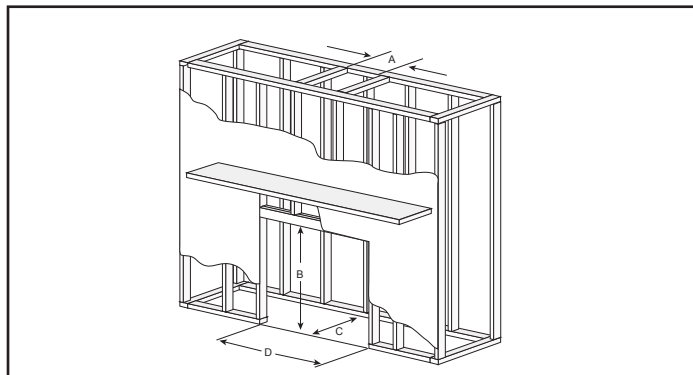


APPLIANCE LOCATION



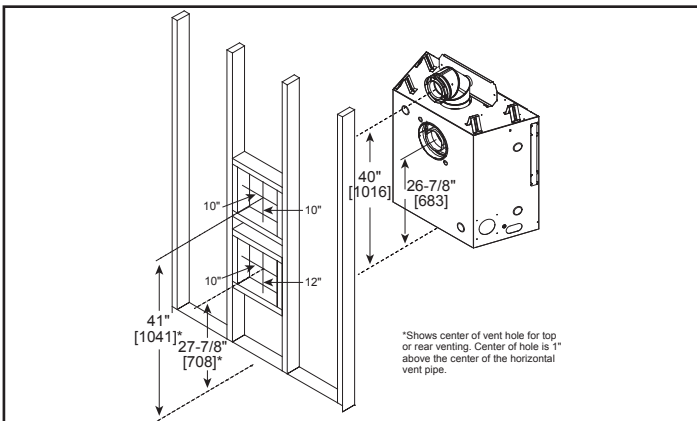
A	B	C	E	F	G	H	I	J	K	L
45-1/2" [1156]	42" [1067]	64-3/8" [1635]	1/2" [13]	45-1/2" [1156]	64-3/8" [1635]	16-1/4" [413]	48-1/2" [1232]	68-3/4" [1746]	16-5/8" [422]	7-1/2" [191]

FRAMING DIMENSIONS

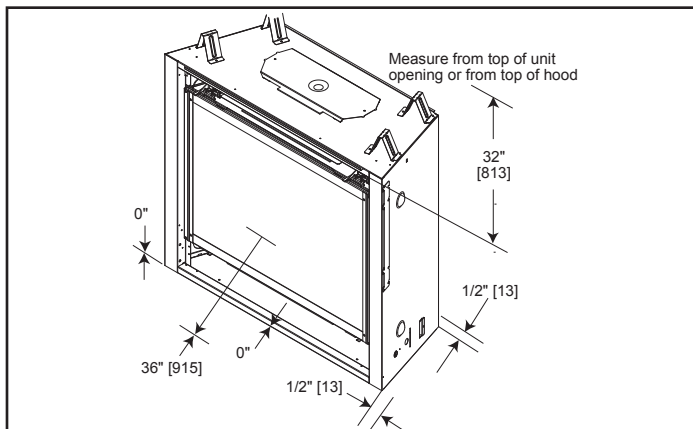


A Rough Opening (Width)		B Rough Opening (Height)	C Rough Opening (Depth)		D Rough Opening (Width)
DVP pipe	SLP pipe		DVP pipe	SLP pipe	
10" [254]	8-5/8" [219]	38-1/4" [972]	16-1/4" [413]	16-1/4" [413]	42" [1067]

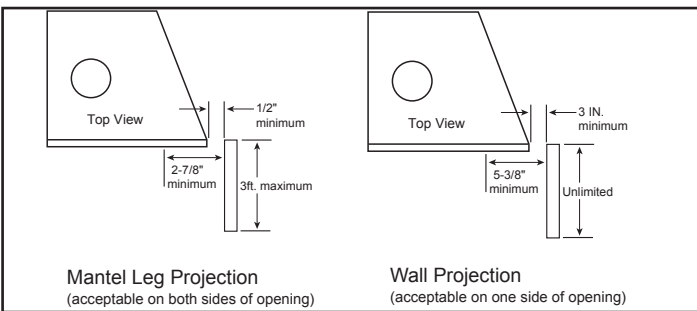
WALL PENETRATION



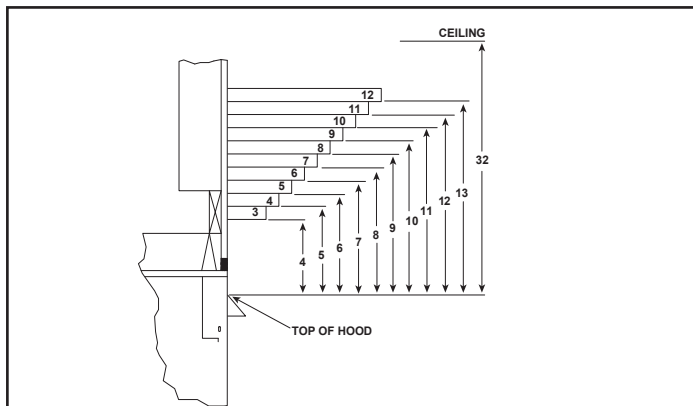
CLEARANCES TO COMBUSTIBLES



MANTEL LEG/WALL PROJECTIONS



MANTEL PROJECTIONS



PRODUCT LISTING CODES	
US	ANSI Z21.88-2014
CAN	CSA 2.33-2014

Product information provided is not complete and is subject to change without notice. Product installation must adhere strictly to instructions accompanying product to avoid risk of fire and potential injury.

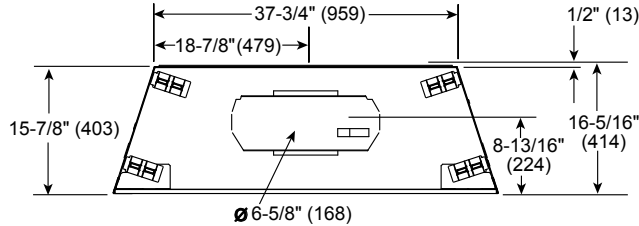
MAJESTIC

Please consult the manufacturer's installation manual for all details and requirements before making a final design layout decision.

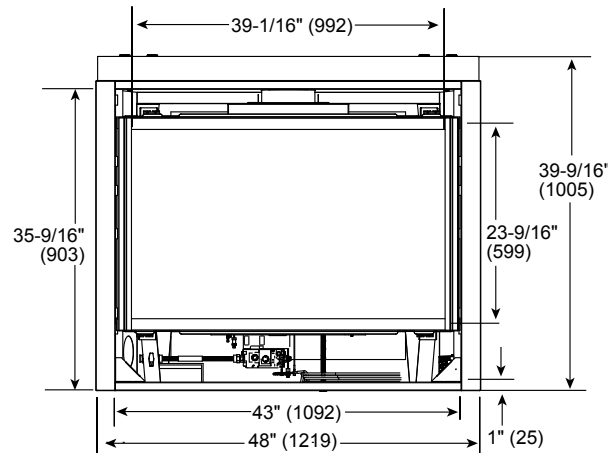
QUARTZ 42
Direct Vent Gas Fireplace

MODEL	FRONT WIDTH		REAR WIDTH		HEIGHT		DEPTH		GLASS SIZE
	ACTUAL	FRAMING	ACTUAL	FRAMING	ACTUAL	FRAMING	ACTUAL	FRAMING	
QUARTZ42 28,500 BTU (NG) 26,000 BTU (LP)	48" [1219mm]	49" [1245mm]	37-3/4" [959mm]	49" [1245mm]	39-9/16" [1005mm]	40-1/4" [1022mm]	16-5/16" [415mm]	16-1/4" [413mm]	39-1/16" X 23-9/16" [992mm] X [599mm]

TOP VIEW

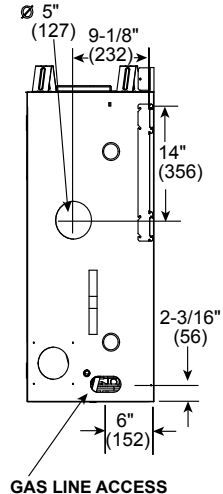


FRONT VIEW

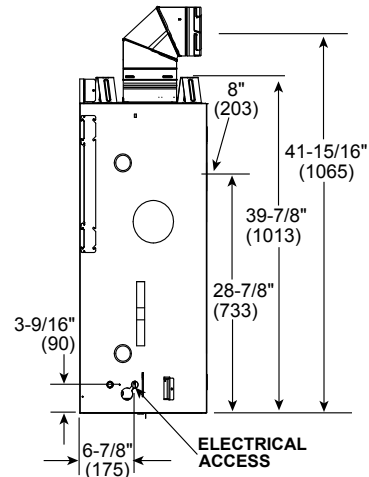


HEAT-ZONE® ACCESS

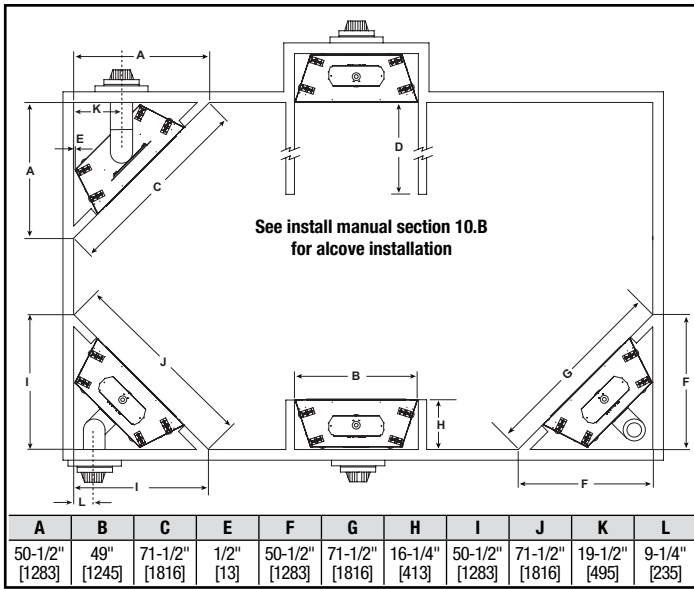
LEFT SIDE



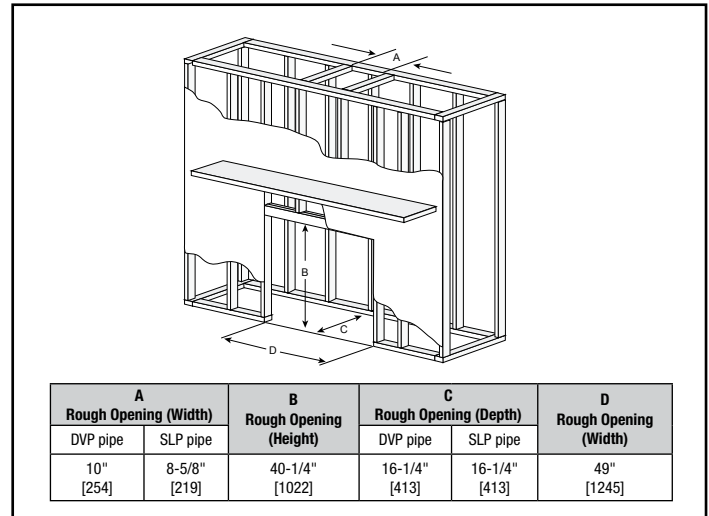
RIGHT SIDE



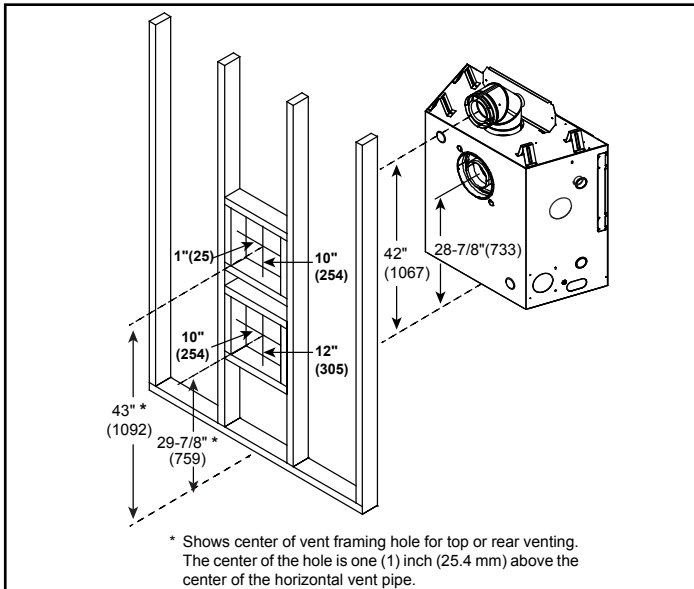
APPLIANCE LOCATION



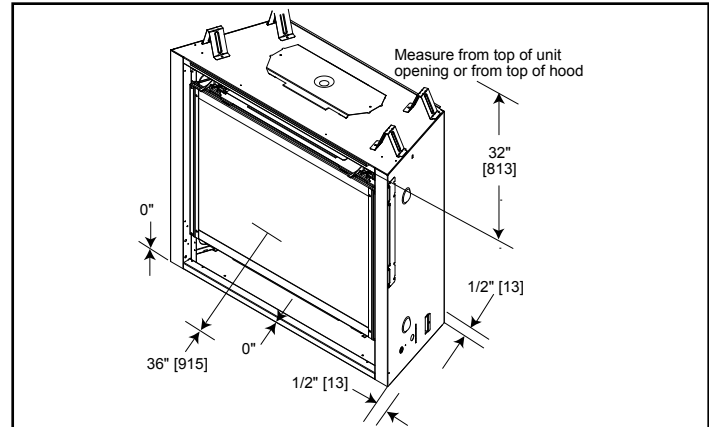
FRAMING DIMENSIONS



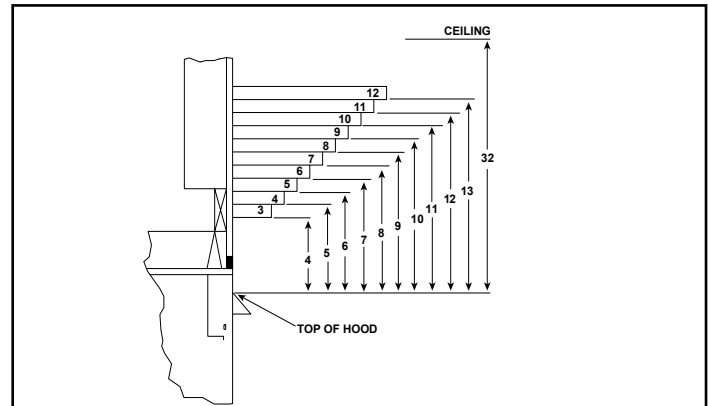
WALL PENETRATION



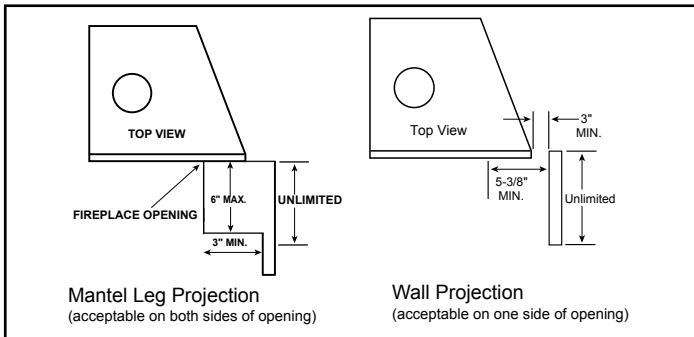
CLEARANCES TO COMBUSTIBLES



MANTEL PROJECTIONS



MANTEL LEG/WALL PROJECTIONS



PRODUCT LISTING CODES

US	ANSI Z21.88-2016
CAN	CSA 2.33-2016

Product information provided is not complete and is subject to change without notice. Product installation must adhere strictly to instructions accompanying product to avoid risk of fire and potential injury.