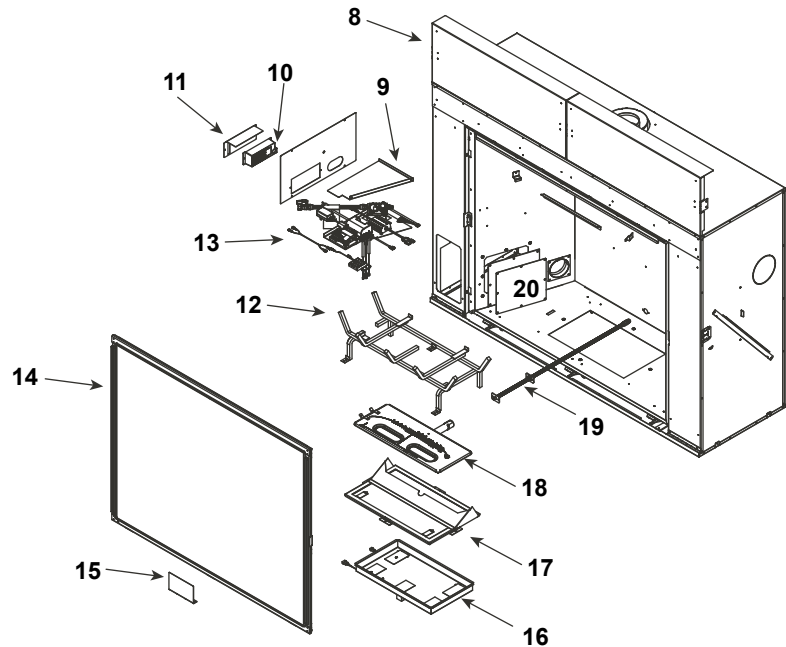




Log Set Assembly

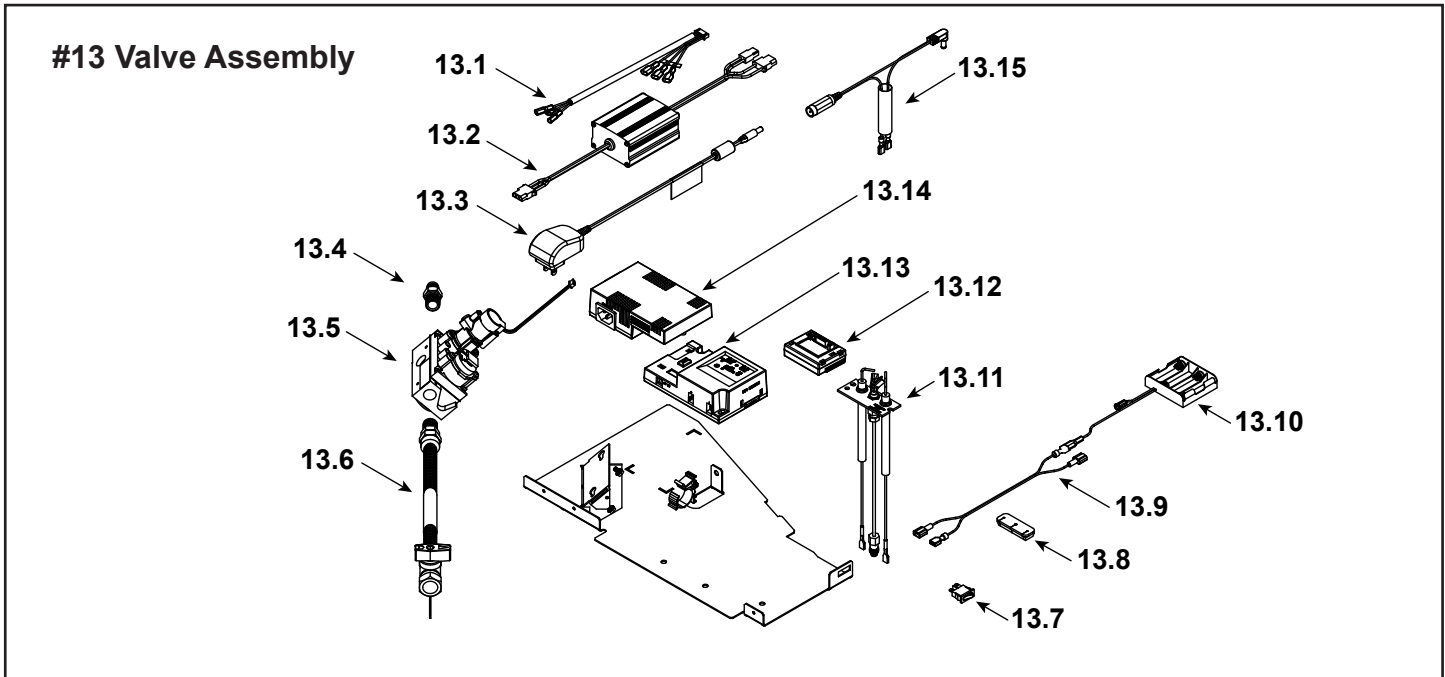


IMPORTANT: THIS IS DATED INFORMATION. Parts must be ordered from a dealer or distributor. **Hearth and Home Technologies does not sell directly to consumers.** Provide model number and serial number when requesting service parts from your dealer or distributor.



Stocked at Depot

ITEM	DESCRIPTION	COMMENTS	PART NUMBER	
	Log Assembly		LOGSMQ36	Y
1	Log 1		SRV2270-701	
2	Log 2		SRV2270-703	
3	Log 3		SRV2270-702	
4	Log 4		SRV2270-704	
5	Log 5		SRV2270-706	
6	Log 6		SRV2271-705	
7	Log 7		SRV2271-707	
8	Heat Shield, Header	Qty 2 req	2280-105	
9	Heat Shield, Valve		2281-153	
10	Junction box		SRV4021-013	Y
11	J-Box Bracket		2281-154	
12	Grate Assembly		2270-015	
13	Valve Assembly		Refer to Valve Page	
14	Glass Assembly		GLA-2280	
15	Finishing Spacer		2281-113	
16	LED Tub Assembly		2280-017	
17	Inner Glass Frame Assembly		2280-019	
18	Burner Assembly		2270-007	Y
19	Orifice Bracket Flex		2012-008	Y
20	Access Plate		2281-117	



IMPORTANT: THIS IS DATED INFORMATION. Parts must be ordered from a dealer or distributor. **Hearth and Home Technologies does not sell directly to consumers.** Provide model number and serial number when requesting service parts from your dealer or distributor.



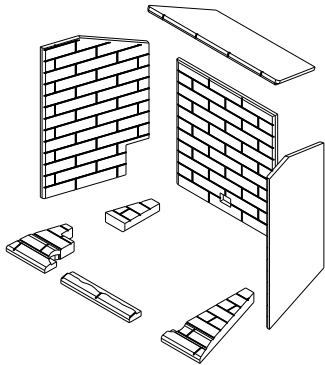
Stocked at Depot

ITEM	DESCRIPTION	COMMENTS	PART NUMBER	Stocked at Depot
13.1	Wire Harness		SRV2326-132	Y
13.2	Led Controller		2166-336	Y
13.3	Power Supply		SRV2326-131	Y
13.4	Male connector	Pkg of 5	303-315/5	Y
13.5	Valve NG		SRV2166-302	Y
	Valve Propane		2166-303	Y
13.6	Flex Ball Valve Assembly. 12"		SRV302-320	Y
13.7	Reset Switch	Pre LC5114352	SRV2206-299	Y
		Post LC5114352 / Propane Only	2206-298	Y
13.8	Grommet		SRV2118-420	
13.9	Wire, Battery jumps, 10 in		2281-196	Y
13.10	**Battery Pack		SRV2326-134	Y
13.11	Pilot Assembly, NG		2270-012	Y
13.12	Module, RF FCC		SRV2326-120	Y
13.13	Module, Control IFT		SRV2326-130	Y
13.14	Aux Module, B Type		SRV2326-150	Y
13.15	Reset Switch Wire	Propane Only	SRV2326-135	Y
	Cable, B Type AC Module		SRV2326-152	Y
	Orifice NG (#30C)		582-830	Y
	Orifice Propane (#47C)		582-847	Y

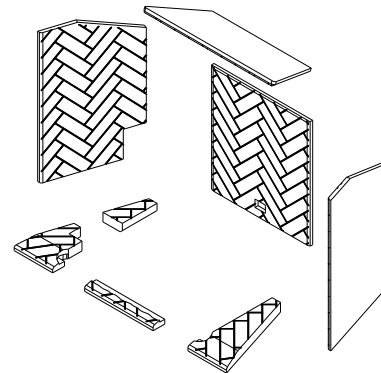
**Fuse for battery pack can be sourced locally, not a warranty item. Specs are 250v, 3A fuse, 3/4" long



#21 Tavern Brown Refractory



#22 Herringbone Refractory



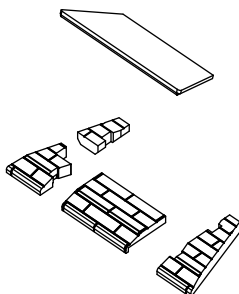
IMPORTANT: THIS IS DATED INFORMATION. Parts must be ordered from a dealer or distributor. **Hearth and Home Technologies does not sell directly to consumers.** Provide model number and serial number when requesting service parts from your dealer or distributor.



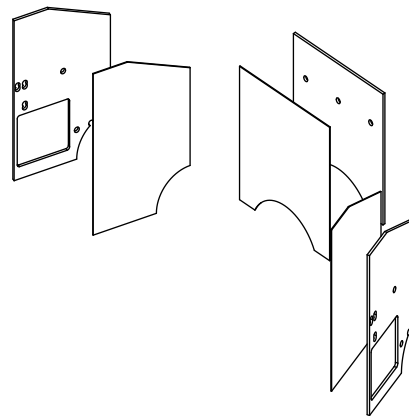
Stocked at Depot

ITEM	DESCRIPTION	COMMENTS	PART NUMBER
21	Refractory, Tavern Brown		BRICKMQ36TB-B
22	Refractory, Herringbone		BRICKMQ36HB-B

#23 Black Refractory



#24 Black Glass Refractory



23	Refractory, Black	Base & Top	2614-053
24	Black Glass Refractory	Sides & Back	GLMQ36

Additional service parts on following page.



Service Parts

MARQ36IN-B

Beginning Manufacturing Date: Mar 2019
Ending Manufacturing Date: Active

IMPORTANT: THIS IS DATED INFORMATION. Parts must be ordered from a dealer or distributor.
Hearth and Home Technologies does not sell directly to consumers. Provide model number
and serial number when requesting service parts from your dealer or distributor.

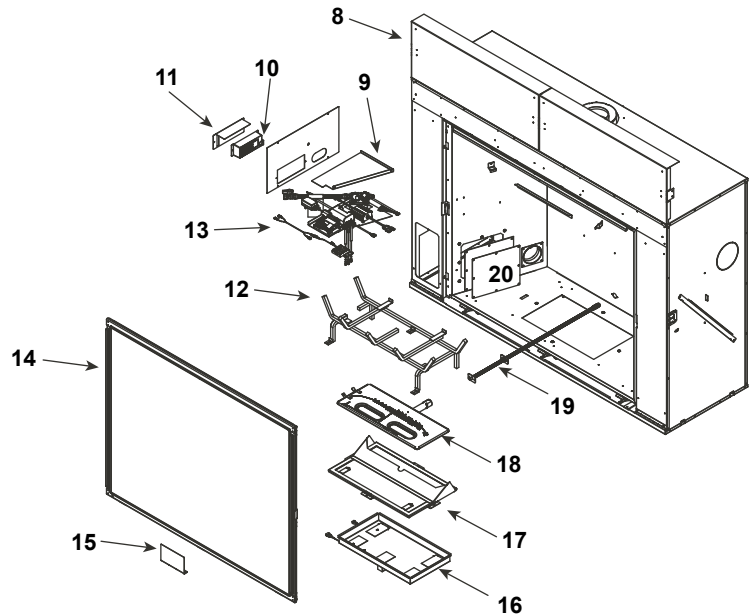


Stocked
at Depot

Table with columns: ITEM, DESCRIPTION, COMMENTS, PART NUMBER, Stocked at Depot. Rows include various parts like Air Shutter Burner Tube, Exhaust Restrictor, Gasket Assembly, etc., and a section for Conversion Kits.



Log Set Assembly



IMPORTANT: THIS IS DATED INFORMATION. Parts must be ordered from a dealer or distributor. **Hearth and Home Technologies does not sell directly to consumers.** Provide model number and serial number when requesting service parts from your dealer or distributor.



Stocked at Depot

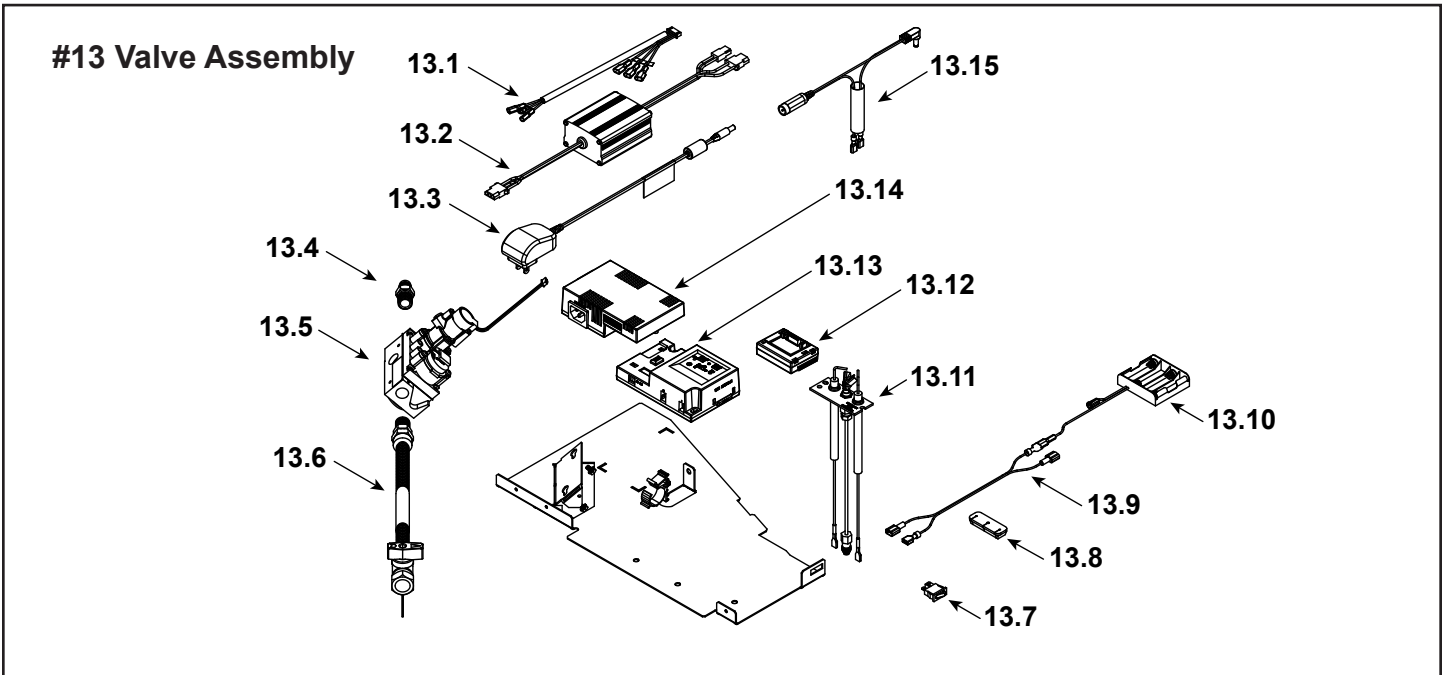
ITEM	DESCRIPTION	COMMENTS	PART NUMBER	
	Log Assembly		LOGSMQ42	Y
1	Log 1		SRV2271-701	
2	Log 2		SRV2271-703	
3	Log 3		SRV2271-702	
4	Log 4		SRV2271-704	
5	Log 5		SRV2271-706	
6	Log 6		SRV2271-705	
7	Log 7		SRV2271-707	
8	Heat Shield, Header	Qty 2 req	2281-105	
9	Heat Shield, Valve		2281-153	
10	Junction box		SRV4021-013	Y
11	J-Box Bracket		2281-154	
12	Grate Assembly		2271-015	
13	Valve Assembly		Refer to Valve Page	
14	Glass Assembly		GLA-2281	
15	Finishing Spacer		2281-113	
16	LED Tub Assembly		2281-017	
17	Inner Glass Frame Assembly		2281-019	
18	Burner Assembly		2271-007	Y
19	Orifice Bracket Flex		2012-008	Y
20	Access Plate		2281-117	



Service Parts

MARQ42IN-B

Beginning Manufacturing Date: Mar 2019
Ending Manufacturing Date: Active



IMPORTANT: THIS IS DATED INFORMATION. Parts must be ordered from a dealer or distributor. **Hearth and Home Technologies does not sell directly to consumers.** Provide model number and serial number when requesting service parts from your dealer or distributor.



Stocked at Depot

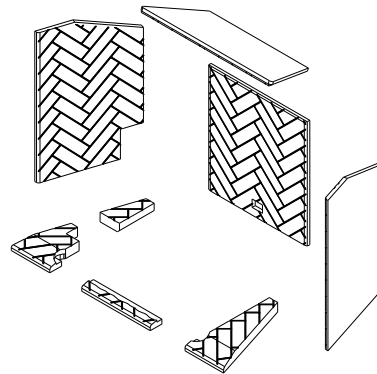
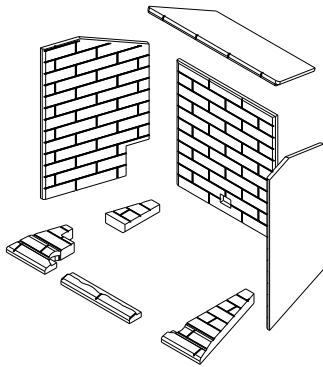
ITEM	DESCRIPTION	COMMENTS	PART NUMBER	Stocked at Depot
13.1	Wire Harness		SRV2326-132	Y
13.2	Led Controller		2166-336	Y
13.3	Power Supply		SRV2326-131	Y
13.4	Male connector	Pkg of 5	303-315/5	Y
13.5	Valve NG		SRV2166-302	Y
	Valve Propane		2166-303	Y
13.6	Flex Ball Valve Assembly. 12"		SRV302-320	Y
13.7	Reset Switch	Pre LC5114352	SRV2206-299	Y
		Post LC5114352 / Propane Only	2206-298	Y
13.8	Grommet		SRV2118-420	
13.9	Wire, Battery jumps, 10 in		2281-196	Y
13.10	**Battery Pack		SRV2326-134	Y
13.11	Pilot Assembly, NG		2270-012	Y
13.12	Module, RF FCC		SRV2326-120	Y
13.13	Module, Control IFT		SRV2326-130	Y
13.14	Aux Module, B Type		SRV2326-150	Y
13.15	Reset Switch Wire	Propane Only	SRV2326-135	Y
	Cable, B Type AC Module		SRV2326-152	Y
	Orifice NG (#26C)		582-826	Y
	Orifice Propane (#45C)		SRV582-845	Y

**Fuse for battery pack can be sourced locally, not a warranty item. Specs are 250v, 3A fuse, 3/4" long



#21 Tavern Brown Refractory

#22 Herringbone Refractory



IMPORTANT: THIS IS DATED INFORMATION. Parts must be ordered from a dealer or distributor. **Hearth and Home Technologies does not sell directly to consumers.** Provide model number and serial number when requesting service parts from your dealer or distributor.

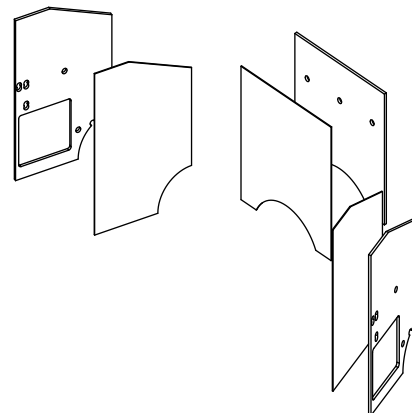
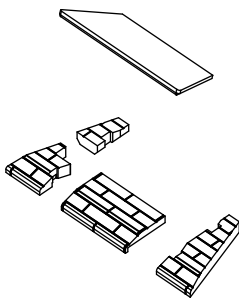


Stocked at Depot

ITEM	DESCRIPTION	COMMENTS	PART NUMBER
21	Refractory, Tavern Brown		BRICKMQ42TB-B
22	Refractory, Herringbone		BRICKMQ42HB-B

#23 Black Refractory

#24 Black Glass Refractory



23	Refractory, Black	Base & Top	2615-053
24	Black Glass Refractory	Sides & Back	GLMQ42

Additional service parts on following page.

