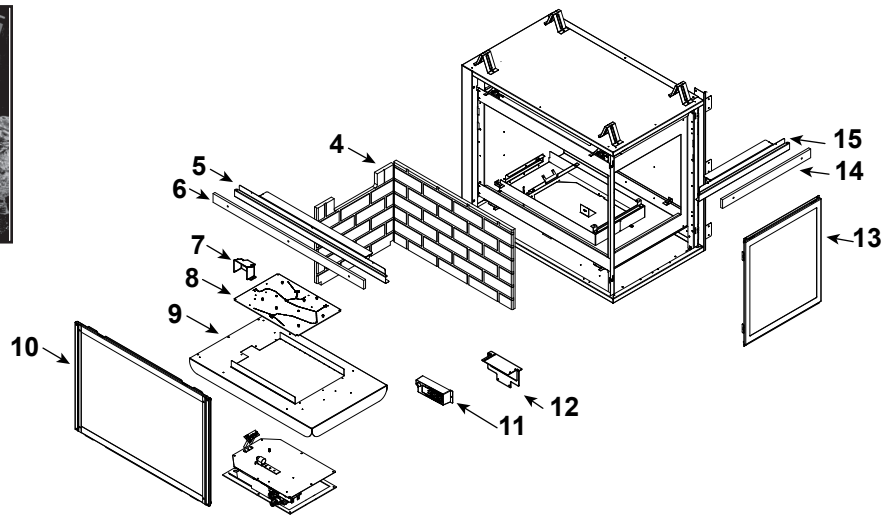
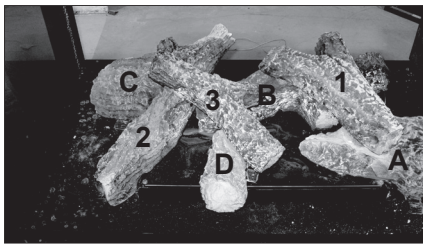


**Log Set Assembly**

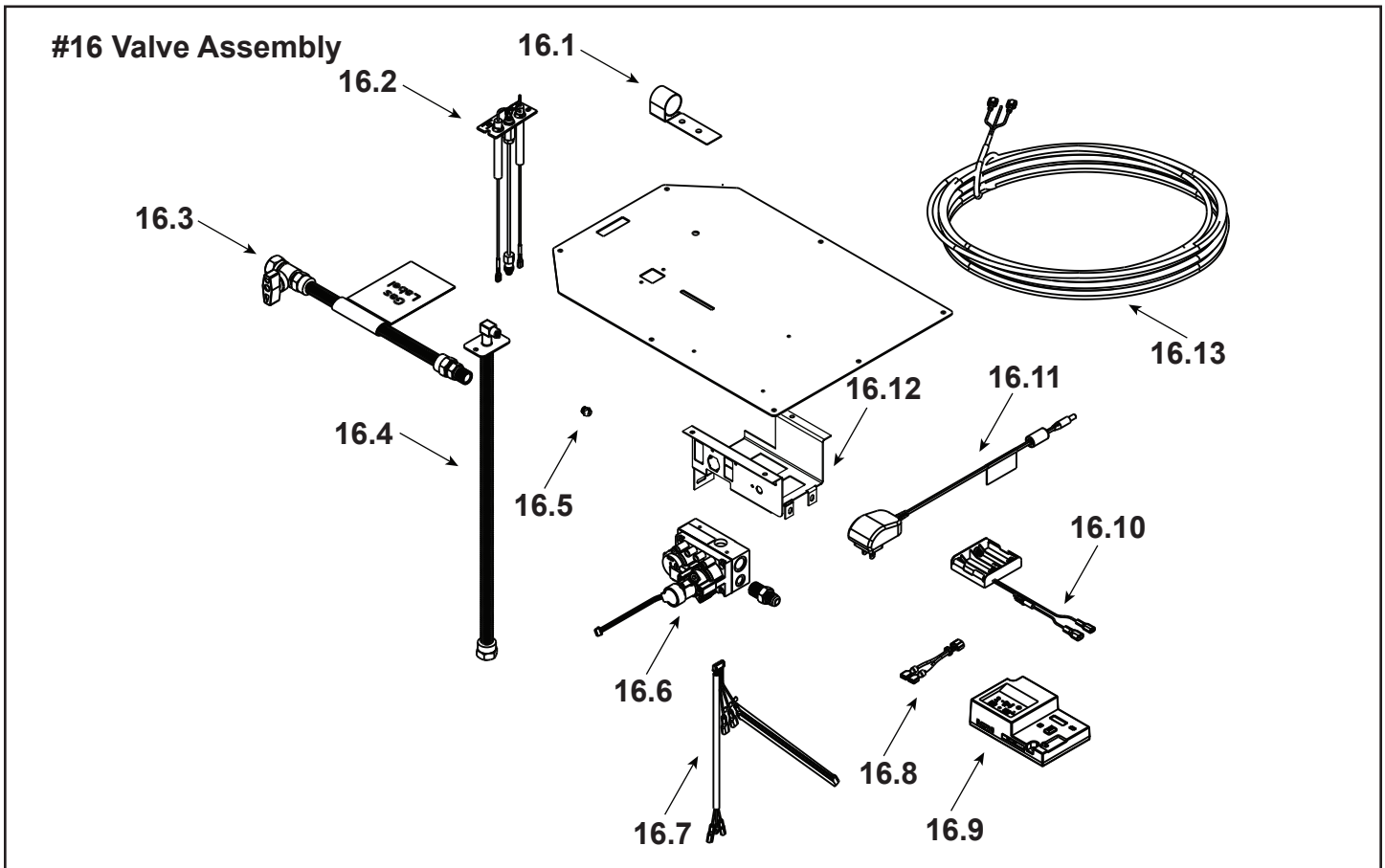


IMPORTANT: THIS IS DATED INFORMATION. Parts must be ordered from a dealer or distributor. **Hearth and Home Technologies does not sell directly to consumers.** Provide model number and serial number when requesting service parts from your dealer or distributor.



**Stocked at Depot**

ITEM	DESCRIPTION	COMMENTS	PART NUMBER	
	Log Set Assembly		LOGS-2129	Y
A	Log A		SRV2129-701	
B	Log B		SRV2129-703	
C	Log C		SRV2129-702	
D	Log D		SRV2129-706	
1	Log 1		SRV2129-704	
2	Log 2		SRV2129-705	
3	Log 3		SRV2129-707	
4	Corner Refractory		SRV2005-REF-COR	
5	Sheetrock Ledge (Side)		2130-118	
6	Non-Comb, Long		2130-199	
7	Pilot Shield		2128-124	
8	Burner NG, Propane		2128-007	Y
9	Base Pan		2132-115	
10	Glass Door Assembly (Side)		GLA-6TROC	Y
11	Junction Box		SRV4021-013	Y
12	Junction Box Bracket		2128-128	
13	Glass Door Assembly (End)		GLA-2130	Y
14	Non-Comb, Short		2130-198	
15	Sheetrock Ledge (End)		2130-126	
	Non-Comb		2162-107	
	Refractory Bracket		2162-106	
	Surround Overlay (contains overlay for top, bottom and sides)		SRV2132-FACE	



IMPORTANT: THIS IS DATED INFORMATION. Parts must be ordered from a dealer or distributor. **Hearth and Home Technologies does not sell directly to consumers.** Provide model number and serial number when requesting service parts from your dealer or distributor.



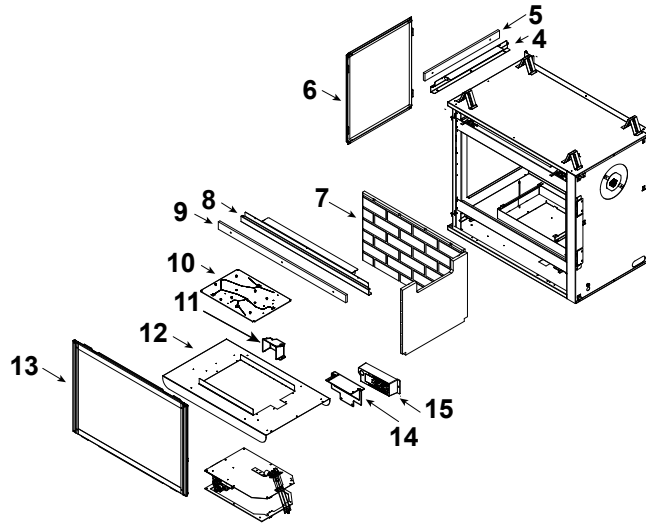
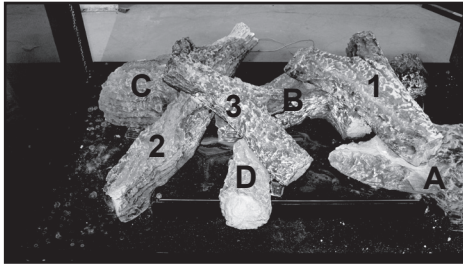
**Stocked  
at Depot**

ITEM	DESCRIPTION	COMMENTS	PART NUMBER	
16.1	Shutter Bracket Assembly		2118-121	Y
16.2	Pilot Assembly NG		2478-012	Y
	Pilot Assembly Propane	Convert 2478-012 with SRV593-527		
16.3	Flex Ball Valve Assembly		SRV302-320	Y
16.4	Flexible Gas Connector		530-302A	Y
16.5	Orifice NG (#32C)		SRV582-832	Y
	Orifice Propane (#50C)		582-850	Y
16.6	Valve NG		SRV2166-302	Y
	Valve Propane		2166-303	Y
16.7	Harness, IFT 6 Pin Wiring		SRV2326-132	Y
16.8	Jumper Wire		SRV2187-198	Y
16.9	Module, IFT Control		SRV2326-130	Y
16.10	Battery Holder 4AA, IFT		SRV2326-134	Y
16.11	Transformer, 6 Volt Wall		SRV2326-131	Y
16.12	Valve, Bracket		2118-104	
16.13	Thermostat Wire Assembly, Male/Male		SRV2118-170	Y

Additional service part numbers appear on following page.



**Log Set Assembly**



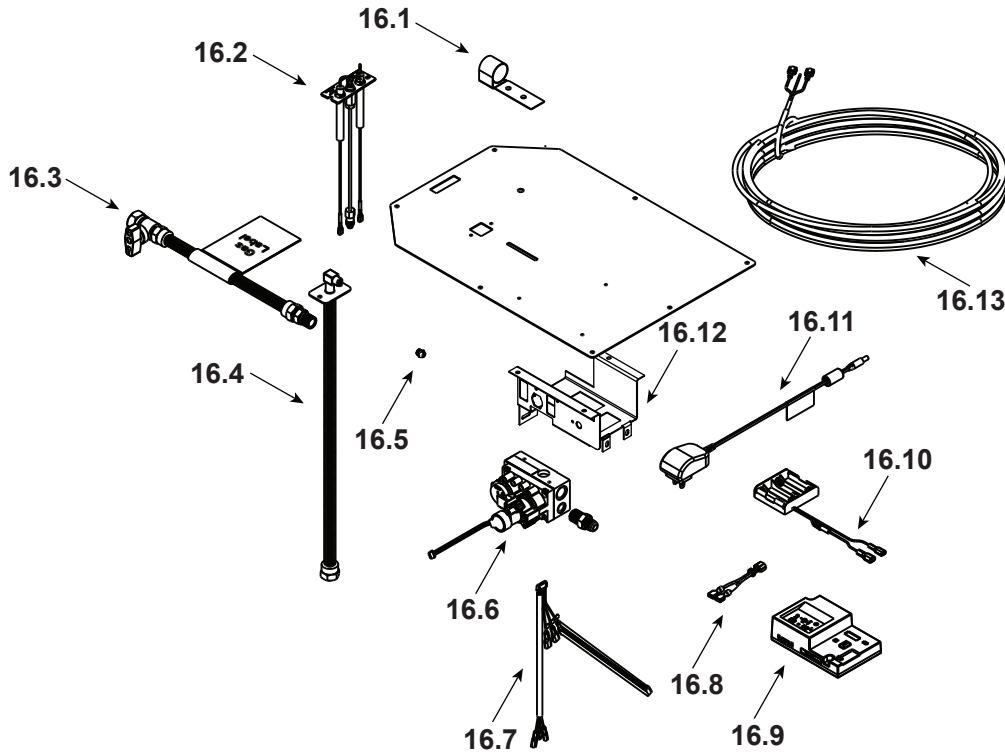
IMPORTANT: THIS IS DATED INFORMATION. Parts must be ordered from a dealer or distributor. **Hearth and Home Technologies does not sell directly to consumers.** Provide model number and serial number when requesting service parts from your dealer or distributor.



**Stocked  
at Depot**

ITEM	DESCRIPTION	COMMENTS	PART NUMBER	
	Log Set Assembly		LOGS-2129	Y
A	Log A		SRV2129-701	
B	Log B		SRV2129-703	
C	Log C		SRV2129-702	
D	Log D		SRV2129-706	
1	Log 1		SRV2129-704	
2	Log 2		SRV2129-705	
3	Log 3		SRV2129-707	
4	Sheetrock Ledge (End)		2130-126	
5	Non-Comb, Short		2130-198	
6	Glass Door Assembly (End)		GLA-2130	Y
7	Corner Refractory		SRV2005-REF-COR	
8	Sheetrock Ledge (Side)		2130-118	
9	Non-Comb, Long		2130-199	
10	Burner NG, Propane		2128-007	Y
11	Pilot Shield		2128-124	
12	Base Pan		2132-115	
13	Glass Door Assembly (Side)		GLA-6TROC	Y
14	Junction Box Bracket		2128-128	
15	Junction Box		SRV4021-013	Y
	Non-Comb		2162-107	
	Refractory Bracket		2162-106	
	Surround Overlay (contains overlay for top, bottom and sides)		SRV2132-FACE	

**#16 Valve Assembly**



IMPORTANT: THIS IS DATED INFORMATION. Parts must be ordered from a dealer or distributor. **Hearth and Home Technologies does not sell directly to consumers.** Provide model number and serial number when requesting service parts from your dealer or distributor.



**Stocked  
at Depot**

ITEM	DESCRIPTION	COMMENTS	PART NUMBER	
16.1	Shutter Bracket Assembly		2118-121	Y
16.2	Pilot Assembly NG		2478-012	Y
	Pilot Assembly Propane	Convert 2478-012 with SRV593-527		
16.3	Flex Ball Valve Assembly		SRV302-320	Y
16.4	Flexible Gas Connector		530-302A	Y
16.5	Orifice NG (#32C)		SRV582-832	Y
	Orifice Propane (#50C)		582-850	Y
16.6	Valve NG		SRV2166-302	Y
	Valve Propane		2166-303	Y
16.7	Harness, IFT 6 Pin Wiring		SRV2326-132	Y
16.8	Jumper Wire		SRV2187-198	Y
16.9	Module, IFT Control		SRV2326-130	Y
16.10	Battery Holder 4AA, IFT		SRV2326-134	Y
16.11	Transformer, 6 Volt Wall		SRV2326-131	Y
16.12	Valve, Bracket		2118-104	
16.13	Thermostat Wire Assembly, Male/Male		SRV2118-170	Y

Additional service part numbers appear on following page.

