



Allume 60 with Black Reflective Glass Liner and Reflective Black Crushed Glass

## STANDARD FEATURES

- ◆ Available in 48", 60", 72", and 84" linear configured models
- ◆ Indoor see-through conversion kit available allows viewing from two living spaces
- ◆ Indoor/Outdoor see-through conversion kit available to enjoy the fire both inside and out (48" model only)
- ◆ HeatFlo™ kit option allows heat to be directed above heat sensitive wall hangings
- ◆ Electronic ignition with battery backup provides continued operation in the event of a power outage
- ◆ Clean-face design with integrated tile stops for easy finishing
- ◆ Ceramic glass for optimum heat transfer and a protective screen\*
- ◆ Black painted interior standard (optional reflective glass liner available)
- ◆ Reflective black crushed glass media included with several optional colors available to customize the look
- ◆ Wireless wall-mounted control provides variable flame settings
- ◆ Optional variable speed blower available to fine tune your heating needs\*\*
- ◆ Optional Power-Vent system available for down-and-out installations
- ◆ Limited Lifetime Warranty

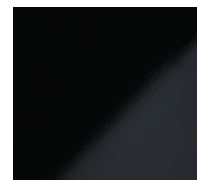
\*All applicable models comply with ANSI Z21.50/88 barrier requirements.

\*\* Blower use is not compatible with a see-through application.

## LINERS



Black Painted (Standard)



Black Reflective

## MEDIA



Refl. Black Crushed Glass (Standard)



Platinum Crushed Glass



Refl. Blue Crushed Glass



Onyx Ice Rock



Diamond Ice Rock



Sapphire Blue Ice Rock



Driftwood Rock Kit



High-Definition Driftwood Log Set



River Rock Assorted Set

## CONTROL OPTIONS

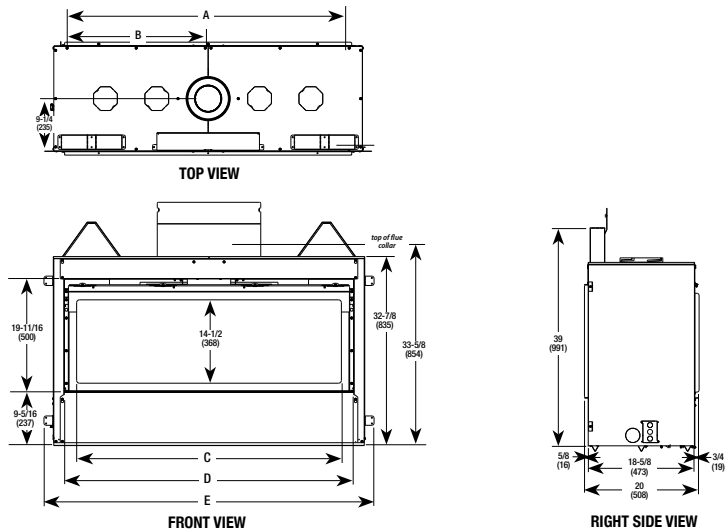


- Wireless Wall-Mounted Control (Standard)
- Multi-Function Touch Remote (Optional)
- Hand-Held On/Off High/Low Remote Control (Optional)

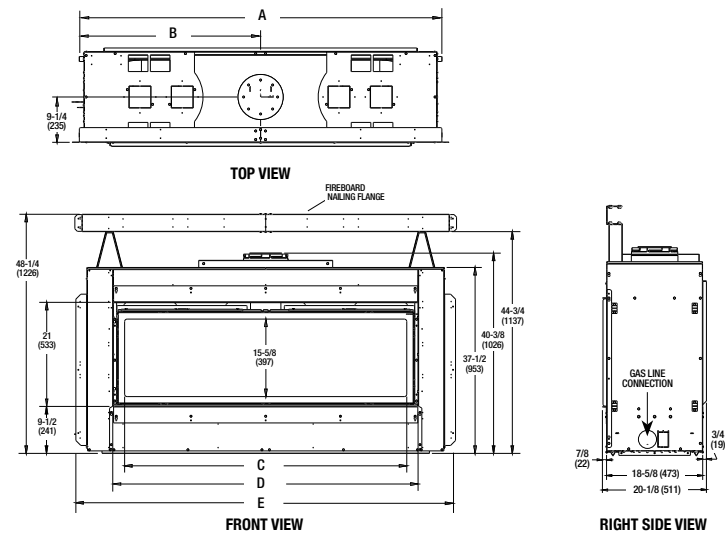
# APPLIANCE SPECIFICATIONS

# FLAT WALL FRAMING SPECIFICATIONS

## 48" MODEL



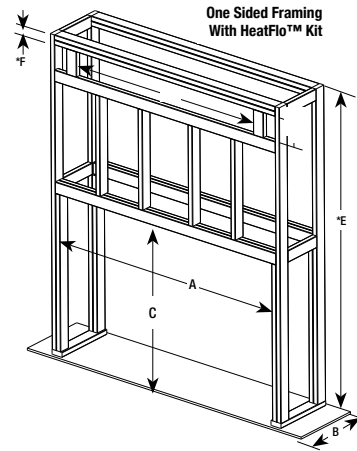
## 60", 72", & 84" MODELS



### ALLUME DIMENSIONS

Models	A	B	C	D	E
48"	54-1/4"	27-1/8"	46"	50-3/8"	57-7/16"
60"	74"	37"	56-5/8"	61-1/2"	76-5/8"
72"	86"	43"	68-5/8"	73-1/2"	88-5/8"
84"	98"	49"	80-5/8"	85-1/2"	100-5/8"

Refer to Installation Manual for all required clearances to combustibles.



### ALLUME FRAMING DIMENSIONS

Models	A	B	C	E	F	G	H
48" One Sided Framing HeatFlo™ Kit	55-5/8"	19-1/2"	39-1/8"	84"	1-1/2"	53-1/2"	5-1/8"
60" One Sided Framing HeatFlo™ Kit	74-1/4"	19-1/2"	48-1/2"	84"	3"	62"	7-1/2"
72" One Sided Framing HeatFlo™ Kit	86-1/4"	19-1/2"	48-1/2"	84"	3"	78"	7-1/2"
84" One Sided Framing HeatFlo™ Kit	98-1/4"	19-1/2"	48-1/2"	84"	3"	90"	7-1/2"

E. MINIMUM HEIGHT FROM APPLIANCE BASE TO CEILING  
 F. MINIMUM OPENING DISTANCE FROM CEILING TO ALLOW FOR MIN DISTANCE FROM HEATFLO REGISTER TO CEILING OF 6"

Refer to manual for complete see-through application framing dimensions and more.

### FIREPLACE BTU OPERATING RANGE

MODEL	FUEL	BTU/HR	AFUE	P4
ALLUME 48	NG	35,000-23,500	63.0	62.5
ALLUME 48	LP	31,000-25,500	63.0	62.4
ALLUME 60-B	NG	40,000-28,000	52.6	55.1
ALLUME 60-B	LP	40,000-30,000	52.6	54.0
ALLUME 72	NG	45,000-31,500	55.0	57.0
ALLUME 72	LP	43,000-32,250	55.0	57.8
ALLUME 84	NG	50,000-35,000	51.1	55.4
ALLUME 84	LP	47,000-35,250	56.7	63.1

### IMPORTANT NOTES:

As with any fireplace, this appliance is extremely hot during operation. Read and understand all operating instructions before using this appliance. For further information, consult your dealer.

Local conditions, such as elevation and choice of fuel will affect overall appearance of the fire and heating performance. Performance can also vary with home design and insulation, ceiling height, accessories chosen and appliance location.

Diagrams, illustrations and photographs are not to scale — consult installation instructions. Product designs, materials, dimensions, specifications, colors and prices are subject to change or discontinuance without notice.



© 2023 Innovative Hearth Products  
785748M 10/23

Visit us online  
Astria.us.com



Report #F18-195 (60"/72"/84" models)  
Report #F22-797 (48" models)

