

ALLUME DLX

LINEAR DIRECT VENT GAS FIREPLACES



Allume DLX 60 with Black Reflective Glass Liner and Platinum Crushed Glass

STANDARD FEATURES

- ◆ Available in 48", 60", 72", and 84" linear configured models
- ◆ Indoor see-through conversion kit available allows views from two living spaces
- ◆ Indoor/Outdoor see-through conversion kit available to enjoy the fire both inside and out (48" model only)
- ◆ HeatFlo™ kit option allows heat direction above heat sensitive wall hangings
- ◆ Electronic ignition with battery backup provides continued operation in the event of a power outage
- ◆ Three flame settings with up to a 30% turn down for precise heat control
- ◆ Clean-face design with integrated tile stops for easy finishing
- ◆ Ceramic glass for optimum heat transfer and a protective screen*
- ◆ Factory installed blower with six speed settings to fine tune your heating**
- ◆ Black painted interior standard (optional reflective glass liner available)
- ◆ Platinum crushed glass media included with several optional colors to customize the look
- ◆ Mood enhancing multi-colored LED floor lighting enhances the fireplace interior with or without a fire
- ◆ Multi-function touchscreen remote included (IPI/CPI, thermostat, flame height, blower, lighting)
- ◆ Optional Power-Vent system available for down-and-out installations
- ◆ Limited Lifetime Warranty

LINERS



Black Painted (Standard)



Black Reflective

MEDIA



Refl. Black Crushed Glass (Standard)



Platinum Crushed Glass



Refl. Blue Crushed Glass



Onyx Ice Rock



Diamond Ice Rock



Sapphire Blue Ice Rock



Driftwood Rock Kit



High-Definition Driftwood Log Set



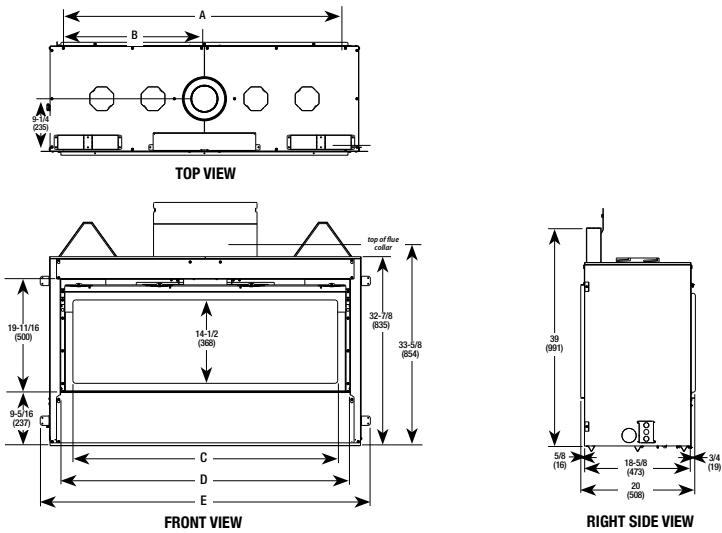
River Rock Assorted Set

MULTI-FUNCTION TOUCHSCREEN REMOTE (Included)

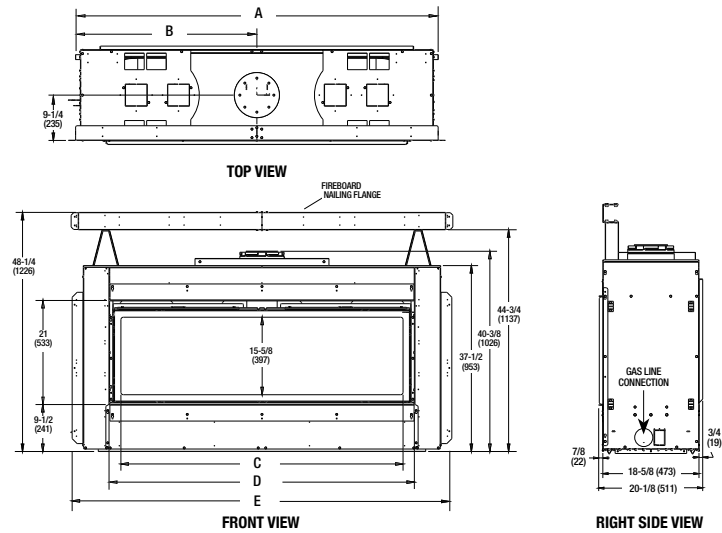


*All applicable models comply with ANSI Z21.50/88 barrier requirements.
 ** Blower use is not compatible with a see-through application.

48" MODEL



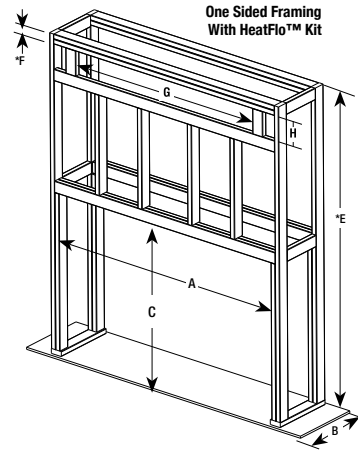
60", 72", & 84" MODELS



ALLUME DLX DIMENSIONS

Models	A	B	C	D	E
48"	54-1/4"	27-1/8"	46"	50-3/8"	57-7/16"
60"	74"	37"	56-5/8"	61-1/2"	76-5/8"
72"	86"	43"	68-5/8"	73-1/2"	88-5/8"
84"	98"	49"	80-5/8"	85-1/2"	100-5/8"

Refer to Installation Manual for all required clearances to combustibles.



ALLUME DLX FRAMING DIMENSIONS

Models	A	B	C	E	F	G	H
48" One Sided Framing HeatFlo™ Kit	55-5/8"	19-1/2"	39-1/8"	84"	1-1/2"	53-1/2"	5-1/8"
60" One Sided Framing HeatFlo™ Kit	74-1/4"	19-1/2"	48-1/2"	84"	3"	62"	7-1/2"
72" One Sided Framing HeatFlo™ Kit	86-1/4"	19-1/2"	48-1/2"	84"	3"	78"	7-1/2"
84" One Sided Framing HeatFlo™ Kit	98-1/4"	19-1/2"	48-1/2"	84"	3"	90"	7-1/2"

E. MINIMUM HEIGHT FROM APPLIANCE BASE TO CEILING
 F. MINIMUM OPENING DISTANCE FROM CEILING TO ALLOW FOR MIN DISTANCE FROM HEATFLO REGISTER TO CEILING OF 6"

Refer to manual for complete see-through application framing dimensions and more.

FIREPLACE BTU OPERATING RANGE

MODEL	FUEL	BTU/HR	AFUE	P4
ALLUME DLX 48	NG	35,000-23,500	63.0	62.5
ALLUME DLX 48	LP	31,000-25,500	63.0	62.4
ALLUME DLX 60-B	NG	40,000-28,000	52.6	55.1
ALLUME DLX 60-B	LP	40,000-30,000	52.6	54.0
ALLUME DLX 72	NG	45,000-31,500	55.0	57.0
ALLUME DLX 72	LP	43,000-32,250	55.0	57.8
ALLUME DLX 84	NG	50,000-35,000	51.1	55.4
ALLUME DLX 84	LP	47,000-35,250	56.7	63.1

IMPORTANT NOTES:

As with any fireplace, this appliance is extremely hot during operation. Read and understand all operating instructions before using this appliance. For further information, consult your dealer.

Local conditions, such as elevation and choice of fuel will affect overall appearance of the fire and heating performance. Performance can also vary with home design and insulation, ceiling height, accessories chosen and appliance location.

Diagrams, illustrations and photographs are not to scale — consult installation instructions. Product designs, materials, dimensions, specifications, colors and prices are subject to change or discontinuance without notice.

