

ALLUME / ALLUME DLX

LINEAR DIRECT VENT GAS FIREPLACES



ALLUME DLX

Allume DLX 84 shown with Black Reflective Glass Liner, Driftwood Log Set, and Platinum Crushed Glass



The Allume DLX linear direct vent gas fireplace is at home in both contemporary and transitional spaces. The expansive ceramic glass opening provides an exceptional view of the fire while the multi-colored floor lighting allows you to customize the mood. The Allume DLX is a fully featured fireplace that comes complete with a heat-circulating blower and multi-function remote for the ultimate in comfort and control.

STANDARD FEATURES

- ◆ Available in 48", 60", 72", and 84" linear configured models
- ◆ Indoor see-through conversion kit available to allow viewing from two living spaces
- ◆ Indoor/Outdoor see-through conversion kit available to enjoy the fire both inside and out (48" model only)
- ◆ HeatFlo™ kit option allows heat to be directed above heat sensitive wall hangings
- ◆ Electronic ignition with battery backup provides continued operation in the event of a power outage
- ◆ Three flame settings with up to a 30% turn down for precise heat control
- ◆ Clean-face design with integrated tile stops for easy finishing
- ◆ Ceramic glass for optimum heat transfer and a protective screen*
- ◆ Factory installed blower with six speed settings to fine tune your heating needs**
- ◆ Black painted interior standard (optional reflective glass liner available)
- ◆ Platinum crushed glass media included with several optional colors available to customize the look
- ◆ Mood enhancing multi-colored LED floor lighting enhances the fireplace interior with or without a fire
- ◆ Multi-function touchscreen remote included (IPI/CPI, thermostat, flame height, blower, lighting)
- ◆ Optional Power-Vent system available for down-and-out installations
- ◆ Limited Lifetime Warranty

**All applicable models comply with ANSI Z21.50/88 barrier requirements. ** Blower use is not compatible with a see-through application.*



Allume 60" shown with installed HeatFlo™ Kit

HeatFlo™ Kit

Protect heat sensitive televisions, artwork and other decorative wall materials. No blower required, the HeatFlo™ kit works through natural convection to redirect heat from the fireplace upward through hidden ductwork and out through a sleek horizontal vent. Walls stay cooler and heat flows more evenly through the room for a comfortable fireplace experience.

- TV & Artwork can be placed above the fireplace
- Helps protect heat sensitive wall facing materials
- Improves convective heat circulation in the room
- No electricity or blower required for operation



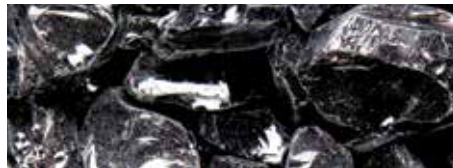
Options & Accessories

Media



Reflective Black

Crushed Glass



Onyx Black

Ice Rock



Reflective Blue

Crushed Glass



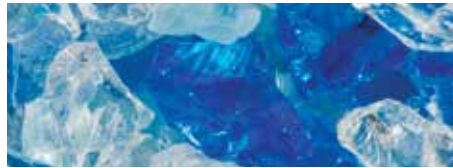
Diamond Crystal

Ice Rock



Platinum

Crushed Glass



Sapphire Blue

Ice Rock



Driftwood Rock Kit



High-Definition Driftwood Log Set



River Rock Assorted Set

Interior



Reflective Black Glass Liner

Trim



Black Perimeter Trim Kit

See Through Kit

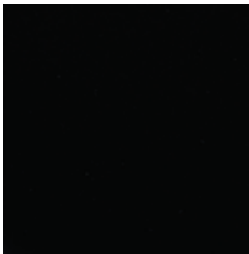


Indoor/Indoor See-through Kit (all models) • Indoor/Outdoor See-through Kit (48" models only)



Allume DLX 48 Indoor/Outdoor See Through Kit

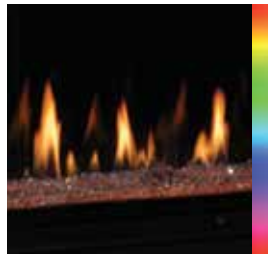
Standard Features (Included)



Black Painted Liner



Platinum Crushed Glass



Full Spectrum LED Lighting

Multi-Function Remote (Included)



- Manual On/Off and Smart Thermostat Modes
- 6 Flame Modulation Settings
- Full Spectrum LED lights
- 6 Blower Control Settings

OPTIONAL ACCESSORIES

See through kit for conversion to multiple room viewing

HeatFlo™ kit allows heat to be directed above heat sensitive wall hangings

Multiple Glass Media kits to enhance the interior aesthetic

River Rock and Driftwood Log Set is perfect for a transitional design

Black Reflective Glass Liner kits

Black Perimeter Trim Kit for a clean design finish

Natural Gas to LP conversion kit

ALLUME

*Allume 60 shown with
Black Reflective Glass Liner and
Reflective Black Crushed Glass*



The Allume linear direct vent gas fireplace offers a sleek modern appearance that is right at home in contemporary and transitional spaces. An expansive ceramic glass opening provides an exceptional view of the gently dancing flames rising through the beautiful reflective black glass floor media. The Allume includes a wireless wall-mounted control that provides variable flame settings at the touch of a button.

STANDARD FEATURES

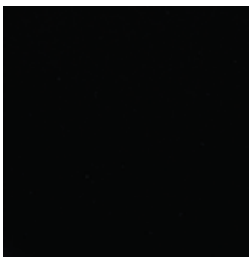
- ◆ Available in 48", 60", 72", and 84" linear configured models
- ◆ Indoor see-through conversion kit available to allow viewing from two living spaces
- ◆ Indoor/Outdoor see-through conversion kit available to enjoy the fire both inside and out (48" model only)
- ◆ HeatFlo™ kit option allows heat to be directed above heat sensitive wall hangings
- ◆ Electronic ignition with battery backup provides continued operation in the event of a power outage
- ◆ Clean-face design with integrated tile stops for easy finishing
- ◆ Ceramic glass for optimum heat transfer and a protective screen*
- ◆ Black painted interior standard (optional reflective glass liner available)
- ◆ Reflective black crushed glass media included with several optional colors available to customize the look
- ◆ Wireless wall-mounted control provides variable flame settings
- ◆ Optional variable speed blower available to fine tune your heating needs**
- ◆ Optional Power-Vent system available for down-and-out installations
- ◆ Limited Lifetime Warranty

**All applicable models comply with ANSI Z21.50/88 barrier requirements. ** Blower use is not compatible with a see-through application.*



*Allume 60 shown with
See-Through Kit and
Reflective Black Crushed Glass*

Standard Features (Included)



Black Painted Liner



Black Crushed Glass

Control Options



*Wireless Wall-
Mounted Control
(Standard)*



*Multi-Function
Touch Remote
(Optional)*



*Hand-Held
On/Off High/Low
Remote Control
(Optional)*

OPTIONAL ACCESSORIES

See through kit for conversion to multiple room viewing

HeatFlo™ kit allows heat to be directed above heat sensitive wall hangings

Multiple Glass Media kits to enhance the interior aesthetic

River Rock and Driftwood Log Set is perfect for a transitional design

Black Reflective Glass Liner kits

Black Perimeter Trim Kit for a clean design finish

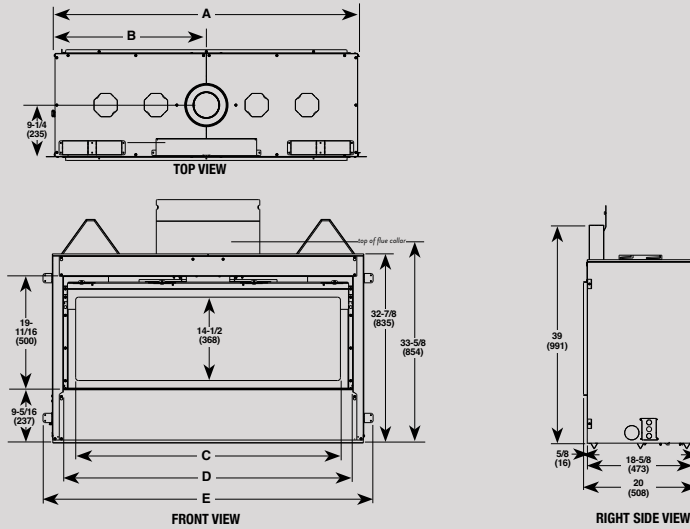
Variable Speed Blower to fine tune your heating needs

Natural Gas to LP conversion kit

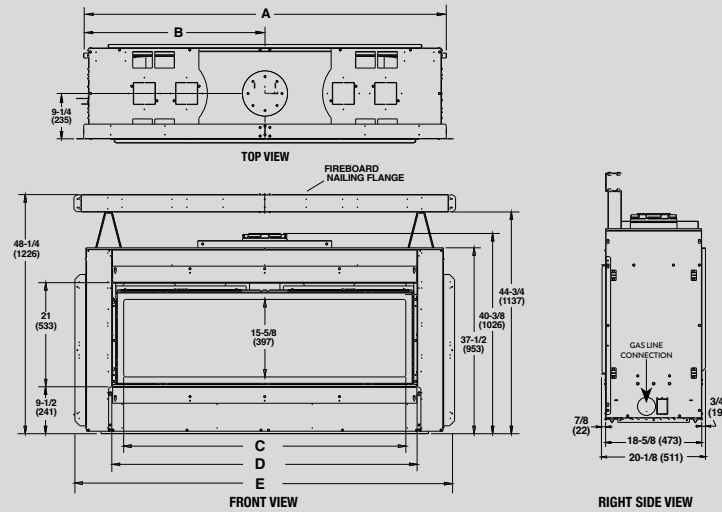
APPLIANCE SPECIFICATIONS

FRAMING SPECIFICATIONS

48" MODEL



60", 72", & 84" MODELS



ALLUME DLX / ALLUME DIMENSIONS

Models	A	B	C	D	E
48"	54-1/4"	27-1/8"	46"	50-3/8"	57-7/16"
60"	74"	37"	56-5/8"	61-1/2"	76-5/8"
72"	86"	43"	68-5/8"	73-1/2"	88-5/8"
84"	98"	49"	80-5/8"	85-1/2"	100-5/8"

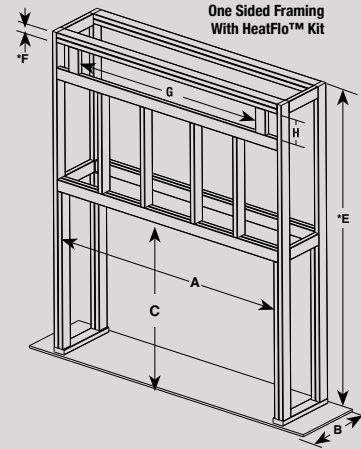
Refer to Installation Manual for all required clearances to combustibles.

IMPORTANT NOTES:

As with any fireplace, this appliance is extremely hot during operation. Read and understand all operating instructions before using this appliance. For further information, consult your dealer.

Local conditions, such as elevation and choice of fuel will affect overall appearance of the fire and heating performance. Performance can also vary with home design and insulation, ceiling height, accessories chosen and appliance location.

Diagrams, illustrations and photographs are not to scale — consult installation instructions. Product designs, materials, dimensions, specifications, colors and prices are subject to change or discontinuance without notice.



ALLUME DLX / ALLUME FRAMING DIMENSIONS

Models	A	B	C	E	F	G	H
48" One Sided Framing HeatFlo™ Kit	55-5/8"	19-1/2"	39-1/8"	84"	1-1/2"	53-1/2"	5-1/8"
60" One Sided Framing HeatFlo™ Kit	74-1/4"	19-1/2"	48-1/2"	84"	3"	62"	7-1/2"
72" One Sided Framing HeatFlo™ Kit	86-1/4"	19-1/2"	48-1/2"	84"	3"	78"	7-1/2"
84" One Sided Framing HeatFlo™ Kit	98-1/4"	19-1/2"	48-1/2"	84"	3"	90"	7-1/2"

E. MINIMUM HEIGHT FROM APPLIANCE BASE TO CEILING

F. MINIMUM OPENING DISTANCE FROM CEILING TO ALLOW FOR MIN DISTANCE FROM HEATFLO REGISTER TO CEILING OF 6"

Refer to manual for complete see-through application framing dimensions and more.

FIREPLACE BTU OPERATING RANGE

MODEL	FUEL	BTU/HR	AFUE	P4
ALLUME DLX 48	NG	35,000-23,500	63.0	62.5
ALLUME DLX 48	LP	31,000-25,500	63.0	62.4
ALLUME DLX 60-B	NG	40,000-28,000	52.6	55.1
ALLUME DLX 60-B	LP	40,000-30,000	52.6	54.0
ALLUME DLX 72	NG	45,000-31,500	55.0	57.0
ALLUME DLX 72	LP	43,000-32,250	55.0	57.8
ALLUME DLX 84	NG	50,000-35,000	51.1	55.4
ALLUME DLX 84	LP	47,000-35,250	56.7	63.1
ALLUME 48	NG	35,000-23,500	63.0	62.5
ALLUME 48	LP	31,000-25,500	63.0	62.4
ALLUME 60-B	NG	40,000-28,000	52.6	55.1
ALLUME 60-B	LP	40,000-30,000	52.6	54.0
ALLUME 72	NG	45,000-31,500	55.0	57.0
ALLUME 72	LP	43,000-32,250	55.0	57.8
ALLUME 84	NG	50,000-35,000	51.1	55.4
ALLUME 84	LP	47,000-35,250	56.7	63.1

On The Cover: Allume DLX 60 shown with Black Reflective Glass Liner, and Platinum Reflective Crushed Glass

