
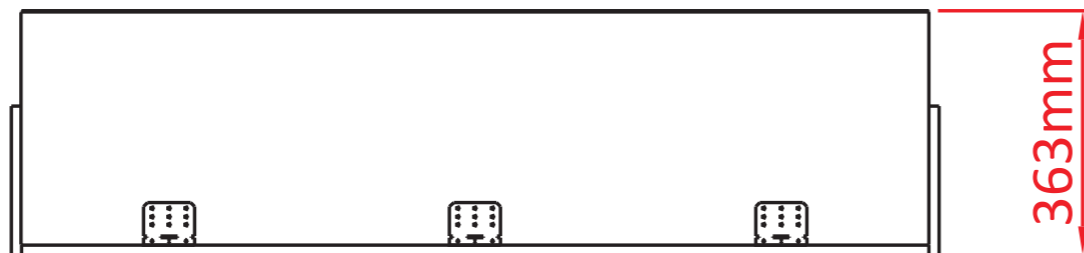
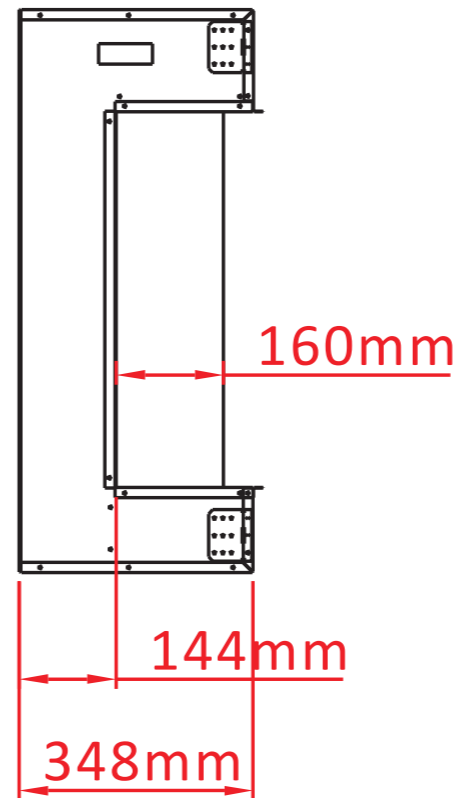
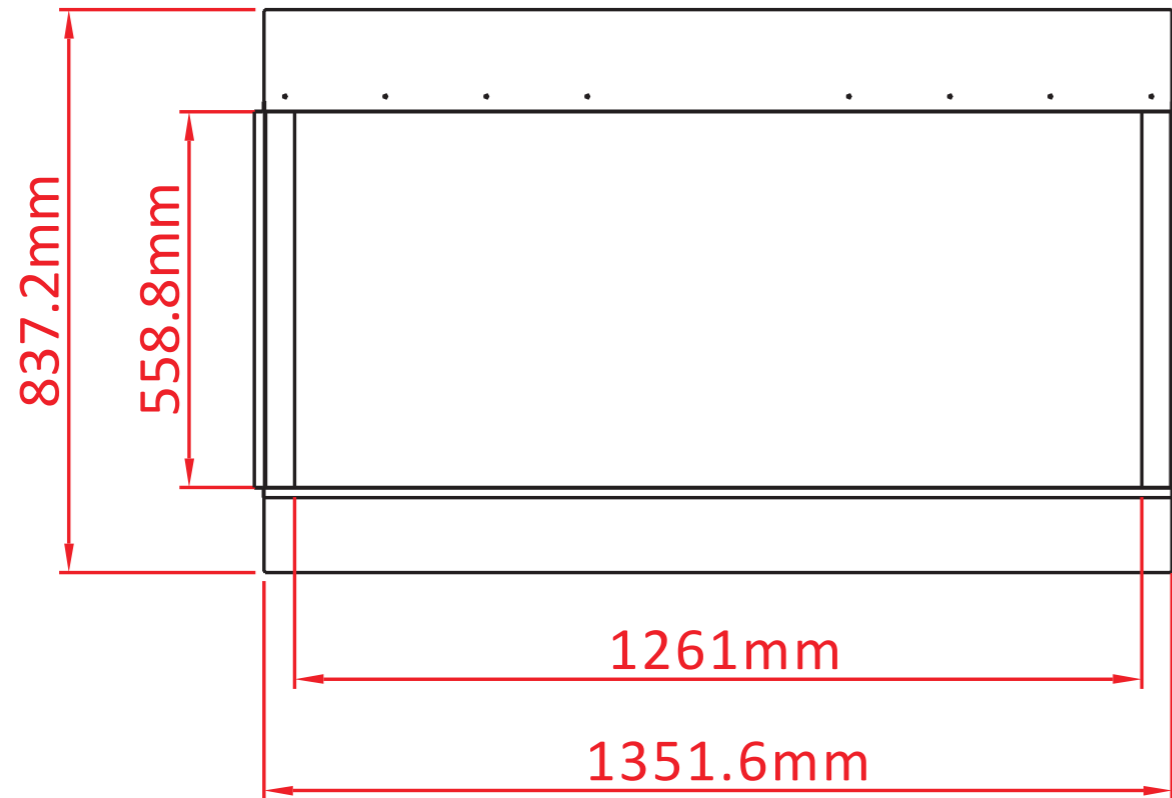


TECHNICAL SPECIFICATIONS

| | | |
|-----------------------|-----------------------------|------------|
| VOLTS | 120 | |
| AMPS | 12.5 | |
| WATTS | 1465 | |
| HEATER | HIGH | 1465 watts |
| | LOW | 750 watts |
| NO HEATER | 19 watts | |
| LAMPS | TYPE | LED |
| | WATTS | |
| | TOTAL WATTS | 48 watts |
| ROTOR MOTOR | 2 at 5 watts | |
| HEIGHT,WIDTH,DEPTH | 33" x 53 1/4" x 13 3/4" | |
| GLASS VIEWING OPENING | 22" X 49 5/8" | |
| GLASS SIZE | 22" X 49 5/8" | |
| SHIPPING SIZE | 35 1/4" x 57 1/2" x 15 5/8" | |
| SHIPPING WEIGHT | UNIT | 147.7 lbs |
| | GLASS FRONT | 129.6 lbs |
| PLUG LOCATION | Left Side | |
| CORD LENGTH | 76" | |
| APPROX. HEATING AREA | 400 sq ft | |




| | | | |
|----------------|-----------------|---|-----|
| SERIES | MODEL |  | REV |
| TRU VIEW | 50-TRV-XL-XT | | 1 |
| SCALE 1"=1'-0" | DATE: 9/19/2019 | SHEET 1 OF 1 | |



TECHNICAL SPECIFICATIONS

| | | |
|-----------------------|-------------|------------------------|
| VOLTS | | 120 |
| AMPS | | 12.5 |
| WATTS | | 1465 |
| HEATER | HIGH | 1465 watts |
| | LOW | 750 watts |
| NO HEATER | | 19 watts |
| LAMPS | TYPE | LED |
| | WATTS | |
| | TOTAL WATTS | 48 watts |
| ROTOR MOTOR | | 2 at 5 watts |
| HEIGHT,WIDTH,DEPTH | | 83.7 x 135.2 x 34.8 cm |
| GLASS VIEWING OPENING | | 55.9 X 126.1 cm |
| GLASS SIZE | | 55.9 X 126.1 cm |
| SHIPPING SIZE | | 89.6 x 146.2 x 39.8 cm |
| SHIPPING WEIGHT | | 67 Kgs |
| | UNIT | 58.8 Kgs |
| GLASS FRONT | | Included |
| PLUG LOCATION | | Left Side |
| CORD LENGTH | | 193 cm |
| APPROX. HEATING AREA | | 37 sqm |

Amantii

| | | | |
|--------------------|-----------------------|---|--------------|
| SERIES TRU VIEW | MODEL 50-TRV-XL-XT |  | REV 1 |
| SCALE 1:12 | DATE: 9/19/2019 | | SHEET 1 OF 1 |