

Modern CAD.

Finally.

Onshape

www.onshape.com

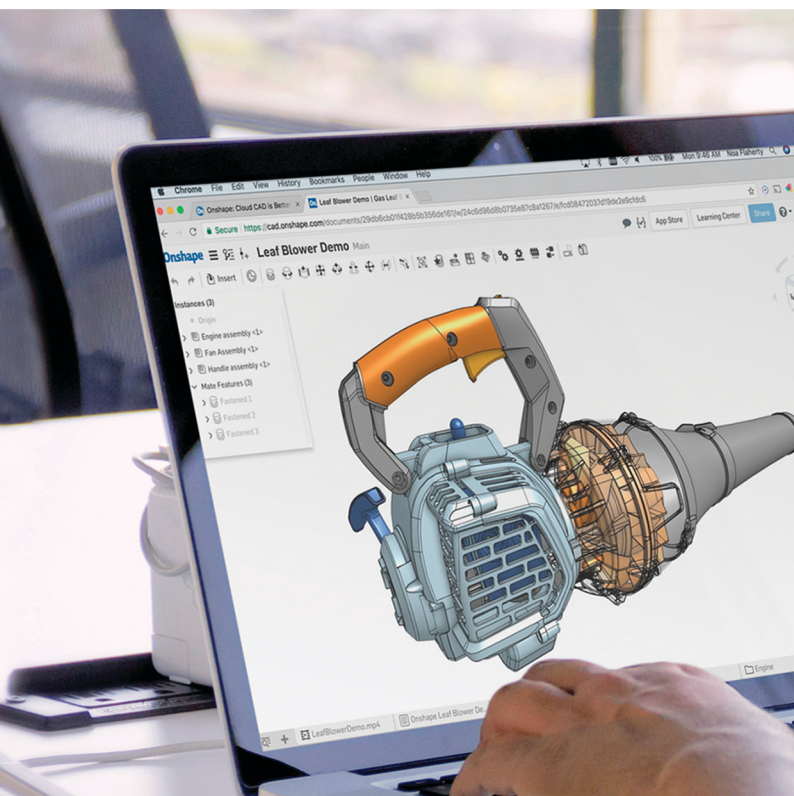
Do your best work
from anywhere.
No crashes.
No data loss.
No design gridlock.

Onshape Professional Eliminate Design Gridlock with Modern CAD

Onshape Professional is the modern CAD system that frees engineers to focus on doing their best work.

Old CAD systems haven't evolved from the same on-premise installations, expensive hardware, and file-based architectures they introduced thirty years ago. Barriers such as Product Data Management (PDM) systems, painful upgrades, data loss, and compatibility issues create unnecessary frustrations that reduce productivity and increase costs.

Unlike old CAD systems, Onshape unites parametric modeling tools and design data management in a secure cloud workspace that is accessible on any device and never loses data. With no files to lose or corrupt, no license keys to manage, and no installed desktop software, Onshape helps engineering teams get out of the IT business so they can get back in the innovation business.



- **Eliminate Design Gridlock.**

Remove the constant waiting, distractions, and hassles that prevent engineers from doing their best work.

- **Sharpen Your Collaboration.**

Confidently share designs with colleagues and customers. Your data is all in one place, accessible from anywhere.

- **Get Your Work Done Faster.**

Save time with fundamentally better parametric modeling tools, such as multi-part design, configurations, and in-context design.

Eliminate Design Gridlock

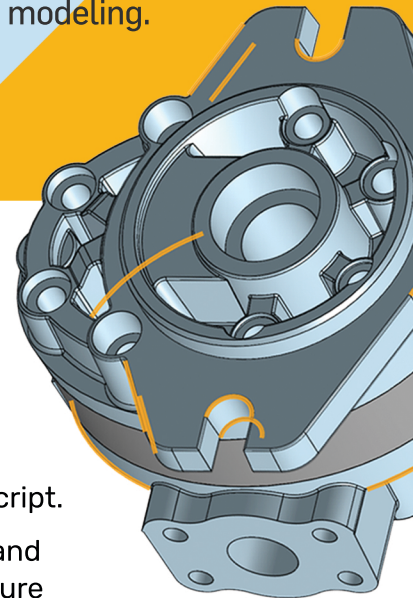
Onshape eliminates the constant waiting, distractions, and hassles that prevent you from doing your best work.

- **Anywhere, any time** - Access your models from any modern web browser or from iOS/Android devices.
- **Secure Cloud Workspace** - Everyone has the latest version: no downloads, installs, license keys, or service packs.
- **Design Data Management** - Maintain a single source of truth for your data, without PDM systems or sending around files.
- **Branching and Merging** - Explore, compare, and combine design changes made by all other users, conflict-free.
- **Controlled Access** - Share your CAD data with only those you want to see it. Monitor, change, and revoke permissions at any time.

- **Multi-part Design Studio** - Design all related parts together in one place.
- **Configurations** - Create variations of models with different sets of parameters to switch between them easily.
- **Standard content** - Fashion stacks of fasteners and capture fit, form, and function.
- **In-context Design** - Add relationships between parts of an assembly without the risk of unpredictable updates.
- **Simultaneous sheet metal tools** - Visualize errors immediately by seeing folded, flat, and table views as you design.

Parametric Modeling 2.0

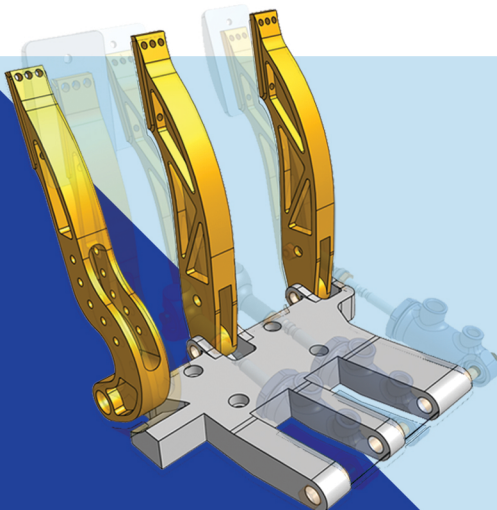
Onshape saves you time with fundamentally better ways of parametric 3D modeling.



The Onshape CAD Platform

Onshape's ecosystem gives you specialized functionality, from your choice of vendor, within one design environment.

- **Onshape App Store** - Add specialized features - such as simulation, rendering, or CAM - from multiple partners. Try before you buy.
- **Custom features** - Create shareable built-in CAD features through Onshape's powerful programming language, FeatureScript.
- **One environment** - Access the App Store and custom features from within Onshape's secure cloud workspace, without worrying about compatibility, license keys, or login credentials.



About Onshape

Users of Onshape's modern professional CAD system, across 170+ countries, have logged over 3 million hours modeling robotics, biomedical devices, industrial machinery, power turbines and many other products. Onshape was founded by the original creators of SOLIDWORKS® and its team includes elite engineers from cloud infrastructure, data security and mobile.

To try Onshape, visit www.onshape.com/trial.