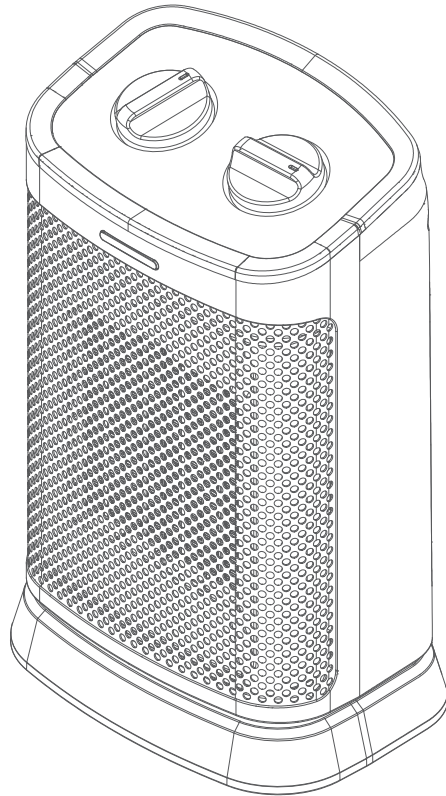


ProBreeze[®]

Instruction Manual



Model PB-H10

1500W Mini Oscillating Ceramic Space Heater

IMPORTANT INSTRUCTIONS

- RETAIN FOR FUTURE USE

Thank you for choosing to purchase a product from ProBreeze. Please read the entire manual carefully prior to first use and keep in a safe place for future reference.

IMPORTANT INSTRUCTIONS


PLEASE READ AND SAVE THESE IMPORTANT SAFETY INSTRUCTIONS


When using electrical appliances, basic safety precautions should always be followed to reduce the risk of fire, electric shock, and injury to persons, including the following:


- Read all instructions before using this heater.

 **WARNING:** Do not cover the heater.



 **WARNING:** To avoid the risk of electrical shock, fire or injury to people, always make sure the heater is unplugged from the electrical outlet before relocating, servicing, or cleaning it.

 **WARNING:** To reduce the risk of fire or electric shock, do not use this heater with any solid state speed control devices.

 **CAUTION:** To prevent electric shock, match wide blade of plug to wide slot, fully insert.

- Use this heater only as described in this manual. Any other use not recommended by the manufacturer may cause fire, electric shock, or injury to persons.
- The appliance is not to be used by persons (including children) with reduced physical, sensory or mental capabilities, or lack of experience and knowledge, unless they have been given supervision or instruction.
- Children must be supervised not to play with the appliance.
- Do not leave children alone or unattended in the area where the appliance is in use.
- Do not use this heater to dry or heat clothes.
- Cleaning and user maintenance shall not be made by children unless continuously supervised.
- Ensure the heater is not located immediately below a socket-outlet.
- Do not operate the heater with wet hands.
- To avoid a circuit overload when using this heater, do not operate another high-wattage appliance on the same electrical circuit.

- Do not kink or wrap the power cord and plug around the heater, as this may cause the insulation to weaken or split, particularly where it enters the appliance.
- Ensure the mains cable is fully extended before use and arrange it so that it is not in contact with any part of the heater.
- Ensure that the mains supply (including voltage, frequency and power) complies with the rating label of the heater.
- Do not operate the heater with any safety guards removed.
- Always plug the heater directly into a wall socket. Avoid using extension leads where possible as they may overheat and cause a risk of fire.
- Do not allow water or other liquids to run into the interior of the heater, as this could create a fire and/or electrical hazard.
- This heater is hot when in use. To avoid burns, do not let bare skin touch hot surfaces. If provided, use handles when moving this heater.
- Keep combustible materials, such as furniture, pillows, bedding, papers, clothes, and curtains at least a 3 Feet (0.9 m) from the front of the heater and keep them away from the sides and rear.
- Extreme caution is necessary when any heater is used by or near children or invalids and whenever the heater is left operating and unattended.
- Always unplug heater when not in use.
- Do not operate any heater with a damaged cord or plug or after the heater malfunctions, has been dropped or damaged in any manner.
- Discard heater or return to authorized service facility for examination and/or repair.
- Household use only. Do not use outdoors.
- This heater is not intended for use in bathrooms, laundry areas and similar indoor locations. Never locate heater where it may fall into a bathtub or other water container.
- Do not run cord under carpeting. Do not cover cord with throw rugs, runners, or similar coverings. Do not route cord under furniture or appliances. Arrange cord away from traffic area and where it will not be tripped over.
- To disconnect heater, turn controls to off, then remove plug from outlet.
- Do not insert or allow foreign objects to enter any ventilation or exhaust opening as this may cause an electric shock or fire, or damage the heater.
- To prevent a possible fire, do not block air intakes or exhaust in any manner. Do not use on soft surfaces, like a bed, where openings may become blocked.
- A heater has hot and arcing or sparking parts inside. Do not use it in areas where gasoline, paint, or flammable liquids are used or stored.

- This appliance has a polarized plug (one blade is wider than the other). To reduce the risk of electrical shock this plug is intended to fit a polarized outlet only one way. If the plug does not fit fully in the outlet, reverse the plug. If it still does not fit, consult a qualified electrician. Do not connect the heater to extension cords, surge protectors, timers, direct breakers, or an outlet with other appliances connected to the same outlet.
- Always plug heaters directly into a wall outlet/receptacle. Never use with an extension cord or relocatable power tap (outlet/power strip).
- Do not operate the appliance if there are signs of damage to the appliance, power cord, or any of the accessories supplied. If the supply cord is damaged, it must be replaced by the manufacturer, its service agent or a similarly qualified person in order to avoid a hazard.

PET OWNERS WARNING

The health of some small pets, including birds, is extremely sensitive to the fumes produced during the first-time use of many heaters. These fumes are not harmful to humans, but we recommended that you do not use your heater around birds and small pets during its initial use until the manufacturing corrosion (anti-corrosion) coatings burn off.

SPECIFICATIONS

- Product Dimensions:
6.77 x 5.06 x 10.79in
- Net Weight: 3.13lb
- Rated Voltage and Frequency:
120V~ 60Hz
- Wattage: 1500W
- Noise Level: 58dB

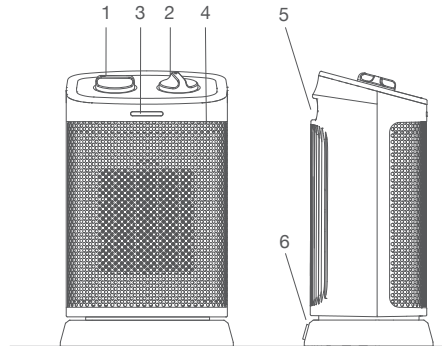
SAVE THESE INSTRUCTIONS

CERAMIC SAFETY INSTRUCTIONS

The temperature of this heater, if placed too close may become intense enough to burn exposed skin. Use of this heater is not recommended for persons with reduced sensitivity to heat or an inability to react to avoid burns.

PARTS

1. Temperature control dial
2. Power/fan only mode control dial
3. Power light
4. Safety grille
5. Handle
6. Oscillation mode button



OPERATING INSTRUCTIONS

Note, this heater features an in-built tip-over switch so be sure to place the unit on a flat, even surface.

SWITCHING ON AND SETTING TEMPERATURE

1. Insert the plug into the power socket.
2. Turn the power/fan only mode control dial to the desired mode.
 - FAN - Fan only mode.
 - LOW - Low power mode (750W).
 - HIGH - High power mode (1500W).
3. Turn the temperature control dial until you hear a click - this will turn the heater on. Continue turning the temperature dial to your desired temperature. The temperature control dial acts as a thermostat. Once the room has reached the desired temperature the heater will switch off. If the room temperature drops below the desired temperature the heater will turn on again.
4. To activate the oscillation function in your chosen mode turn the oscillation mode button to the (I) position.

SWITCHING OFF

1. Turn the power/fan only control dial to the OFF position.
2. Turn the temperature control dial counterclockwise to the lowest temperature setting.
3. Turn the oscillation mode button to the off (O) position.
4. Remove the plug from the power socket.

NOTES

Overheat Protection

When the temperature of the heater is too high, the thermostat will automatically switch off the power and the heater will stop working. This may occur during improper use or certain environmental conditions. After the heater has cooled for 10 to 20 minutes, the heater can be used normally.


Tip-Over Protection


When the heater is knocked over or tipped onto its side, the safety switch will automatically cut off the power. Power will return to normal when the unit has been placed upright onto an even surface.


CLEANING

1. Unplug from the electricity supply before cleaning.
2. Clean the exterior surface of the heater by wiping it with a soft, damp cloth.
3. To avoid scratching the surface, do not use any abrasive detergents or solvents.
4. Ensure the heater is completely dry before operating.

CLEANING & STORAGE

 **WARNING:** Always turn the heater OFF, unplug the power cord from the electrical outlet and allow the appliance to completely cool down before handling or cleaning it.

 **CAUTION:** Do not allow water or other liquids to run into the interior of the heater, as this could create a fire and/or electrical hazard.

 **CAUTION:** Do not use any abrasive cleaners or solvents, as heater damage will occur.

- Clean the exterior surface of the heater by wiping it with a soft, damp cloth.
- Dry the heater with a soft clean cloth.
- Clean the air inlet and outlet grills regularly with a vacuum cleaner, using the brush attachment to avoid any dust build-up.
- To store your product out of season, we recommend using the original or similar size box.
- Do not kink or wrap the power cord and plug around the appliance, as this may cause the insulation to weaken or split, particularly where it enters the appliance.

Store the heater in a safe, clean and dry place when not in use.

RECYCLING AND DISPOSAL

The packaging of your new heater has a recycle mark on it. Please dispose of it as recycled paper. Waste electrical products should not be disposed of with general household waste. This is to prevent the possible harm to the environment and human well-being. Contact your local council or government for information regarding the collection schemes in your area.





www.probreeze.com

One Retail Group, Ryland House
24a Ryland Road, Kentish Town, London, NW5 3EH, UK

© Copyright 2021

