






## Assembly Manual for TINTIN

Congratulations on your new Petit Puk bed! Get ready to transform your kid's sleeping space into a fortress of imagination, a castle of coziness, and a launchpad for their sweetest dreams! When you follow this step-by-step assembly, you'll breeze through the process.

Quick Checklist:

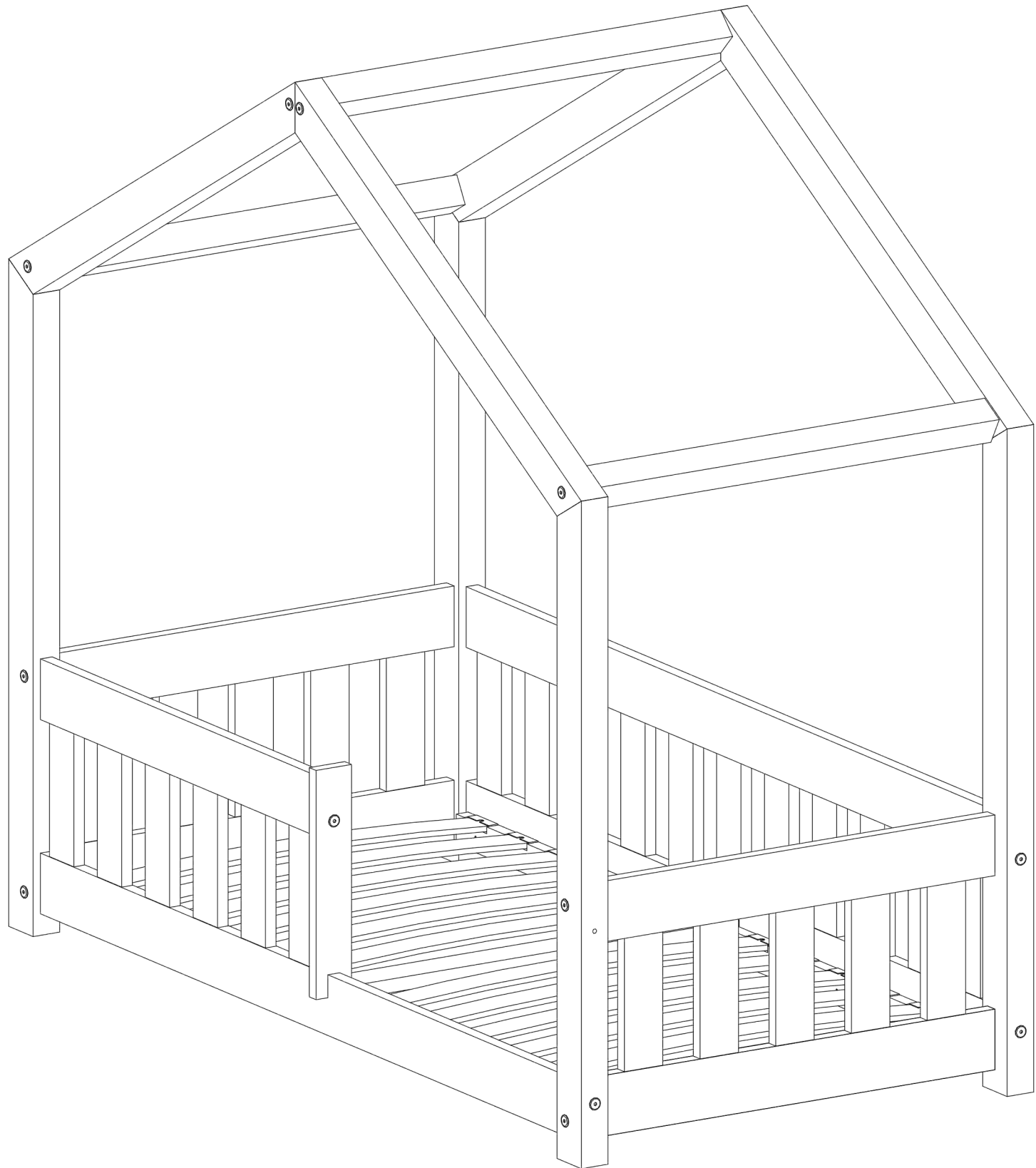
-  Is everything complete?
-  All pieces in good shape?
-  Do no start adding glue before you made sure all pieces are there and in perfect shape
-  Note! Applying glue to the bed base is **not** mandatory, as it could hinder the disassembly process later on. Let's keep things flexible for future adventures!
-  Ready to take a photo of your great work once completed and share with us?

Ticked all the boxes? Put on your superhero cape, and let's dive into the wonderful world of bed building.

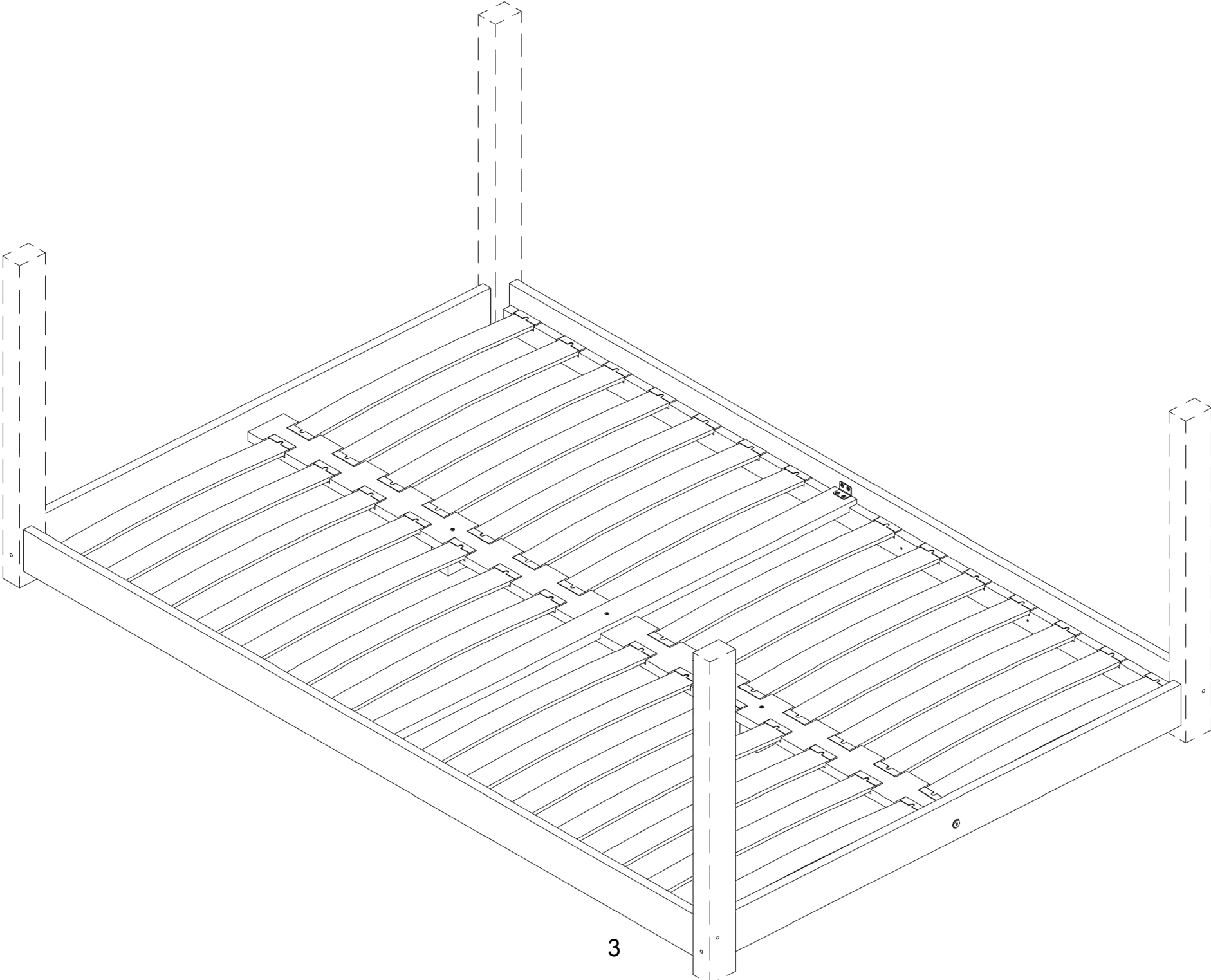
Big wave,  
Team Petit Puk

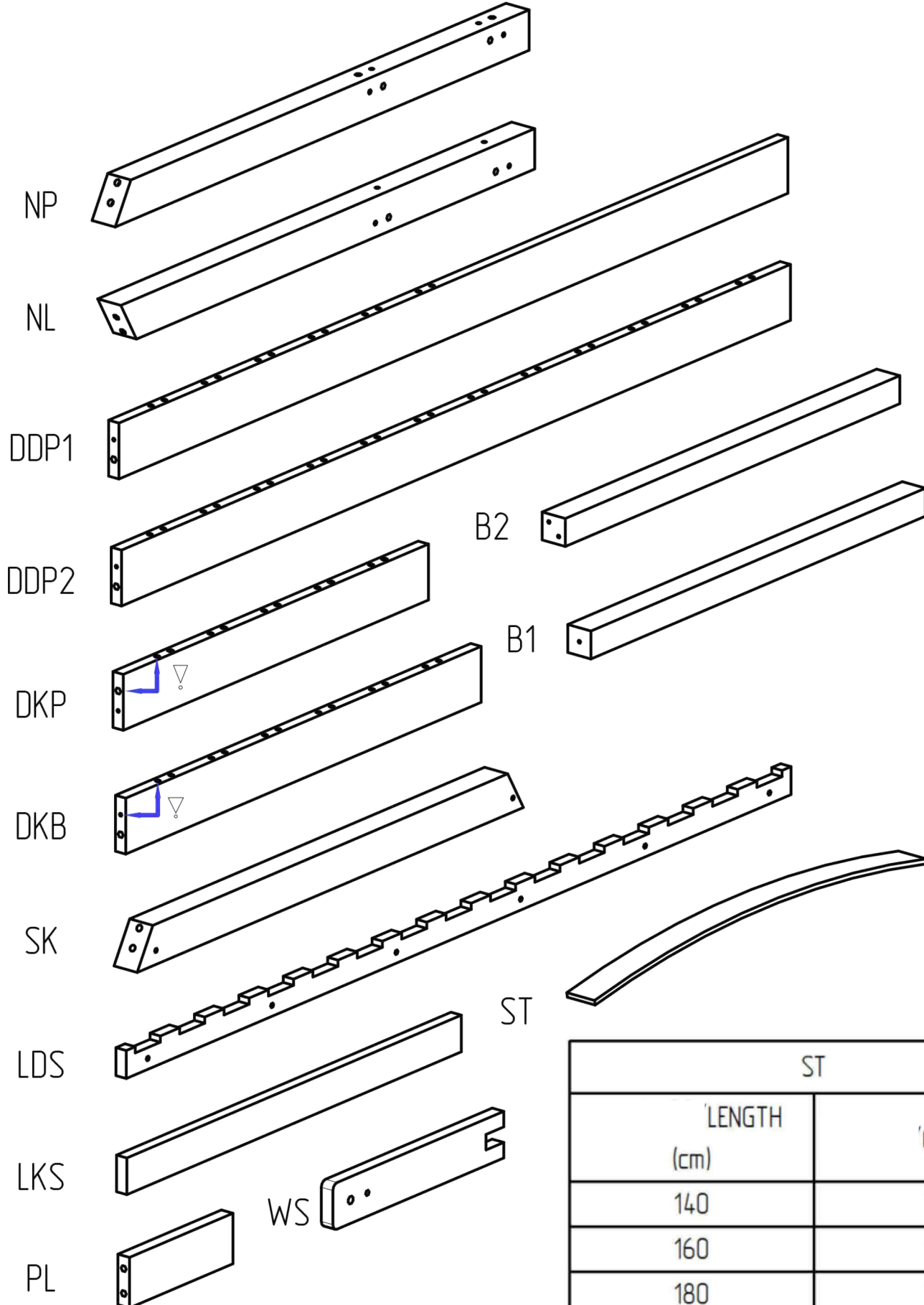
**Questions?** Reach out via [customercare@petitpuk.com](mailto:customercare@petitpuk.com)

**Compliments?** Tag us on instagram @petitpuk



MANUAL OF BED OVER 100 cm WIDE CAN BE  
FOUND ON PAGE 18





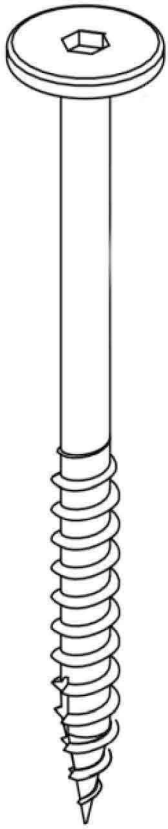
ST	
'LENGTH (cm)	'QUANTITY
140	12
160	14
180	14
190	16
200	16

PART	NP	NL	DDP1	DDP2	DKP	DKB	B1	B2	SK	LDS	LKS	WS
QUANTITY	2	2	1	2	4	1	2	1	4	2	1	1

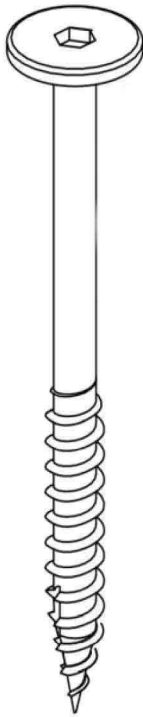
# QUANTITY OF PL

LENGTH [cm]	WIDTH [cm]							
	70	80	90	100	120	135	140	160
140	27	27	29	-	-	-	-	-
160	28	28	30	-	-	-	-	-
180	-	31	33	35	39	41	41	45
190	-	33	35	37	41	43	43	47
200	-	33	35	37	41	43	43	47

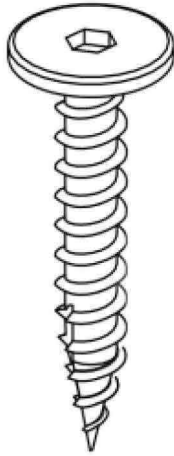
S110



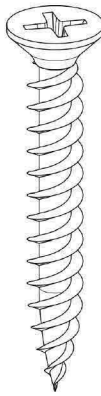
S80



S50



W30



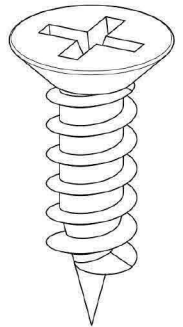
K10



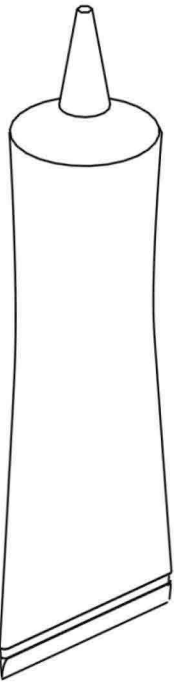
K8



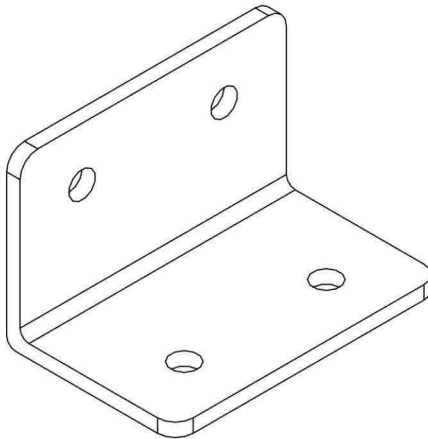
W16



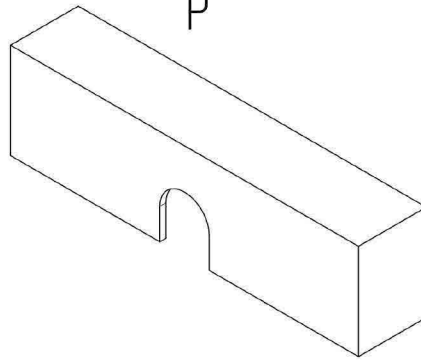
G



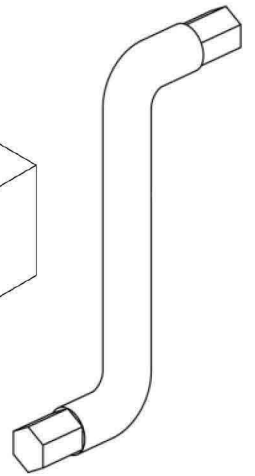
KT



P



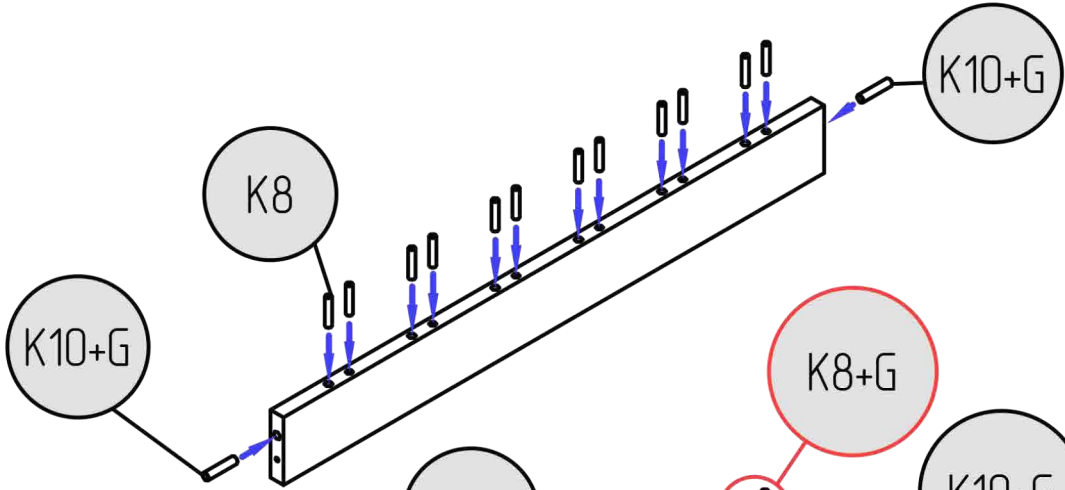
INBUS



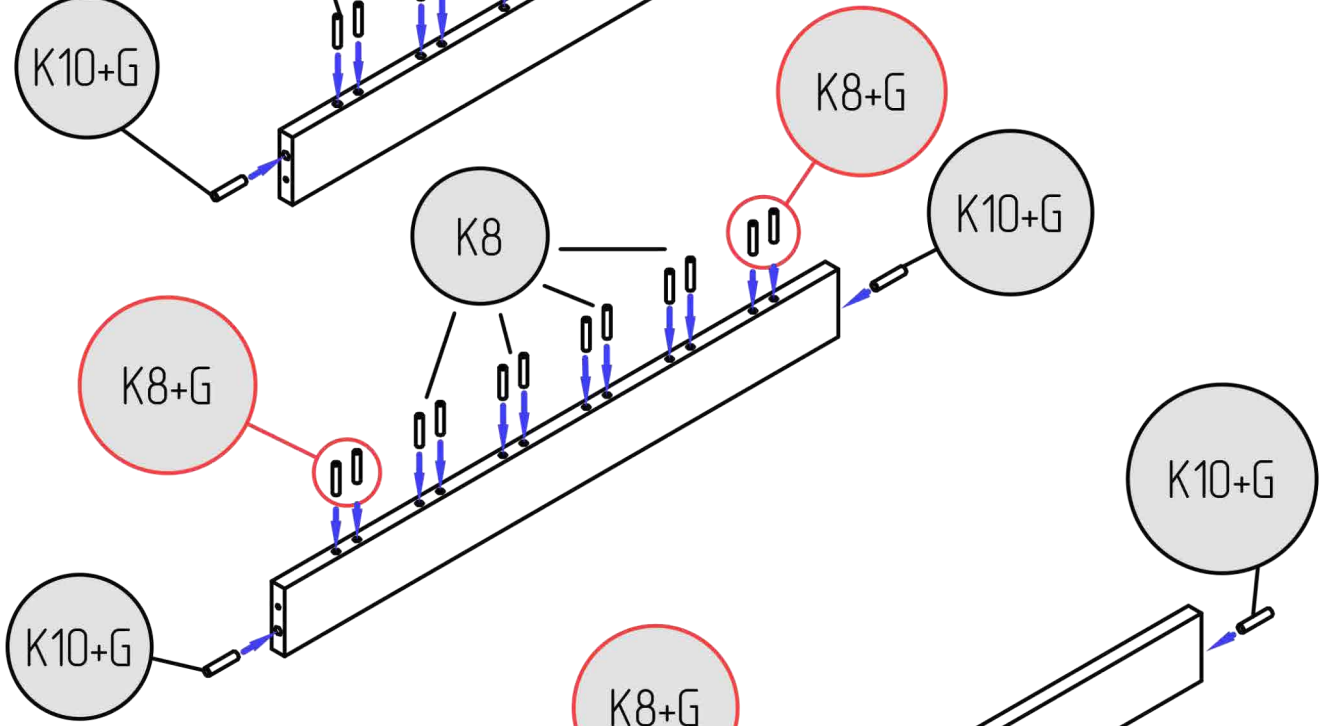
P	
LENGTH [cm]	QUANTITY
140	24
160	28
180	28
190	32
200	32

PART	S110	S80	S50	W30	K10	W16	G	KT
QUANTITY	7	16	1	12	38	8	4	2

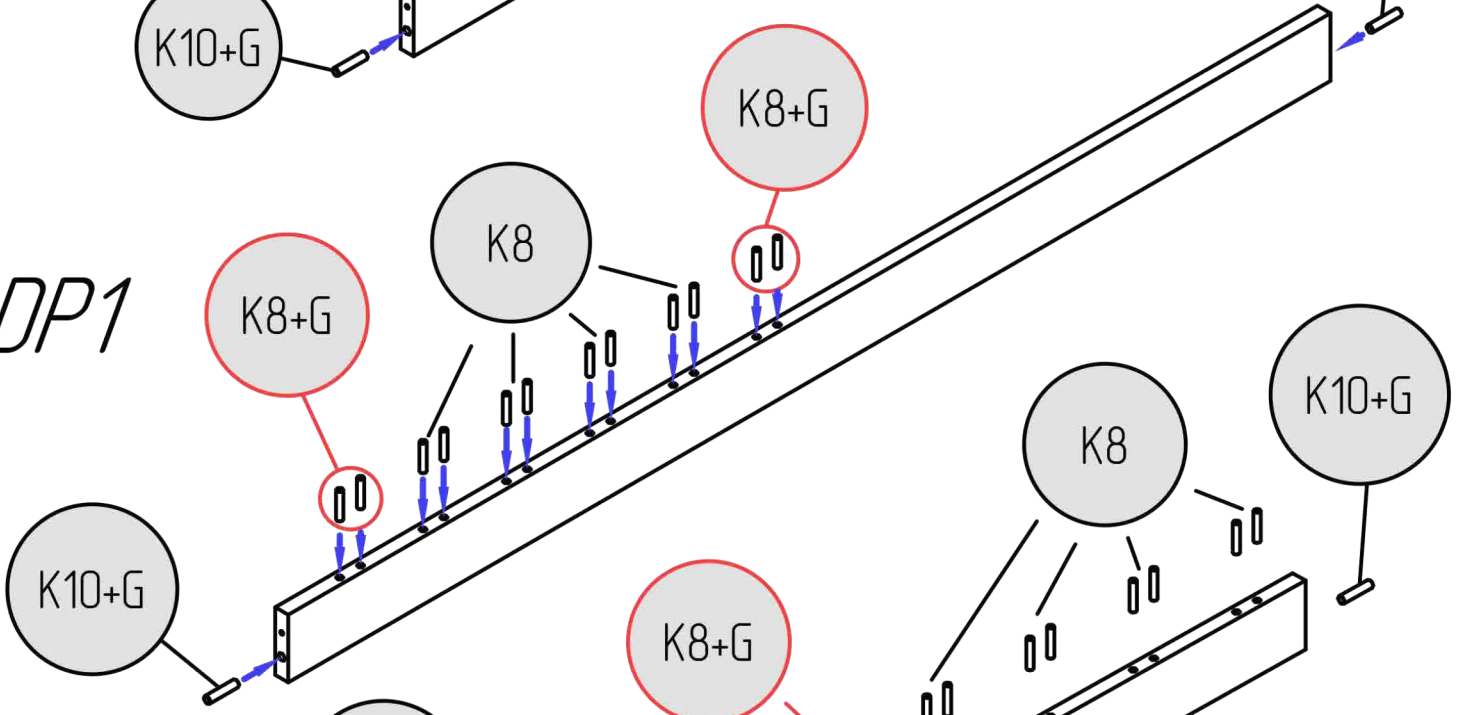
*DKP*



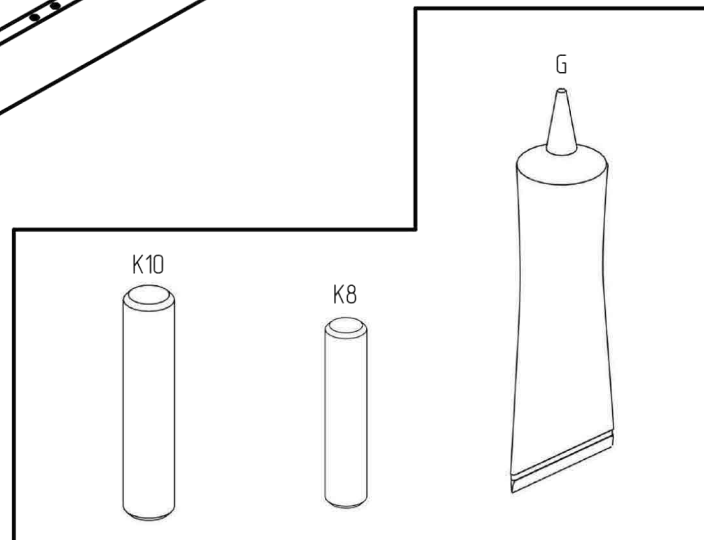
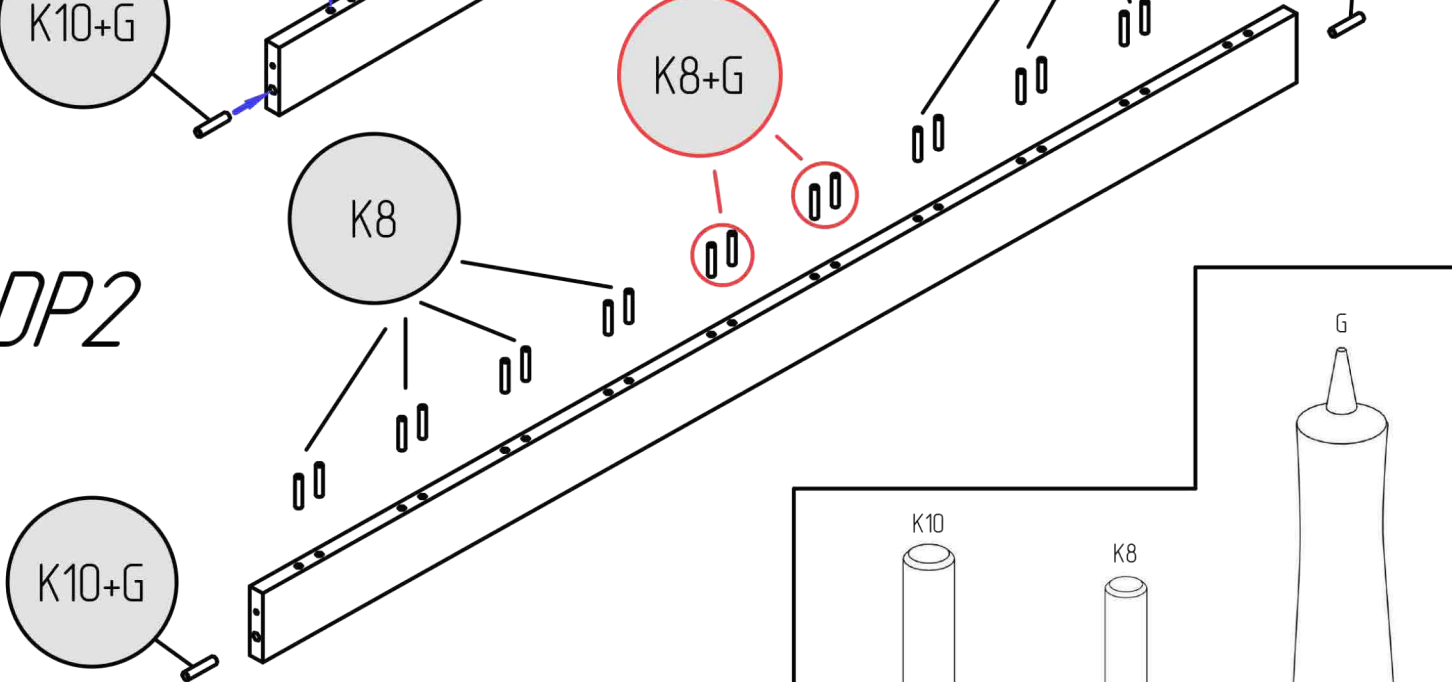
*DKB*



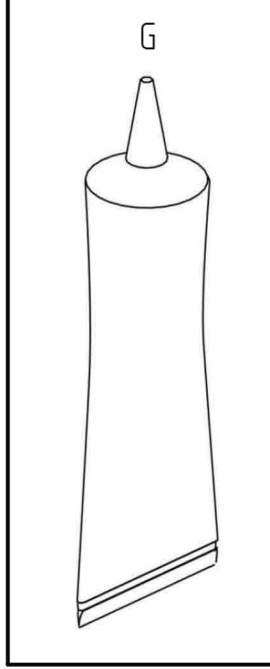
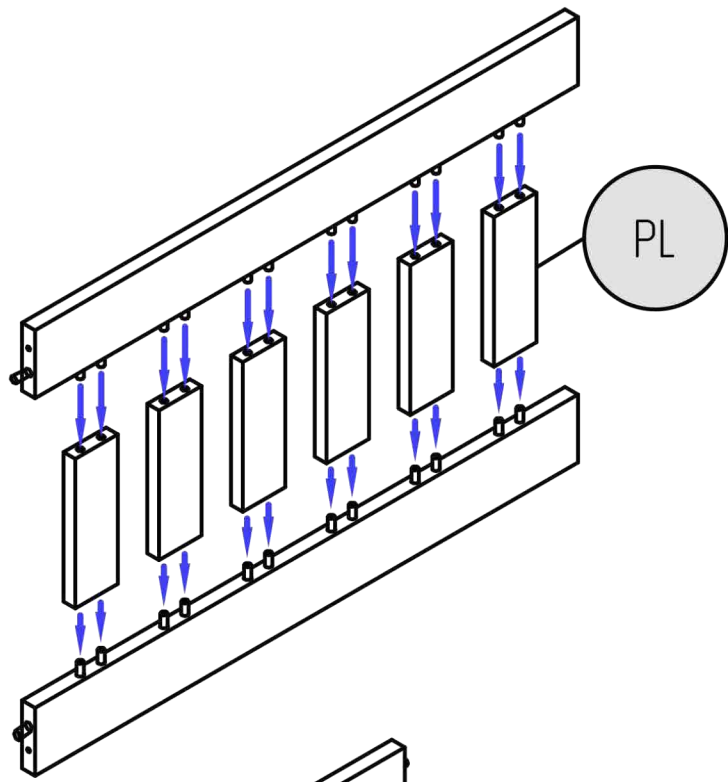
*DDP1*



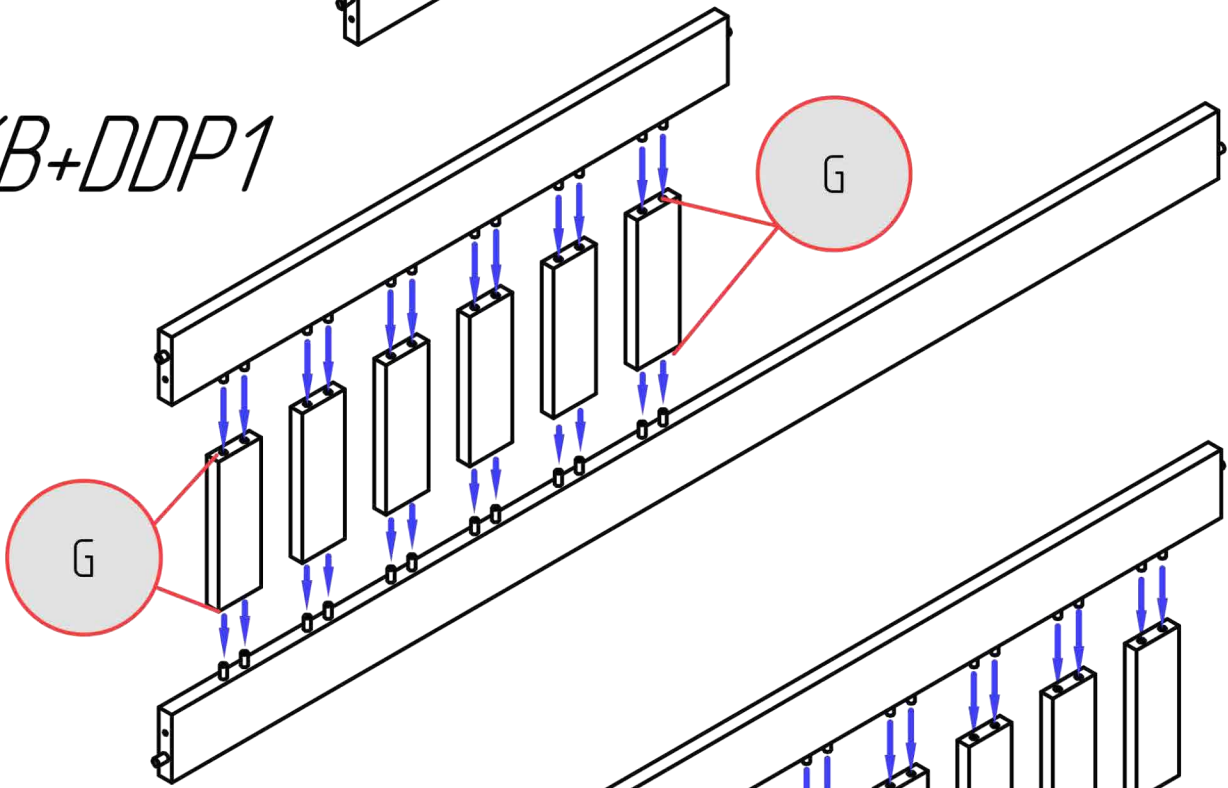
*DDP2*



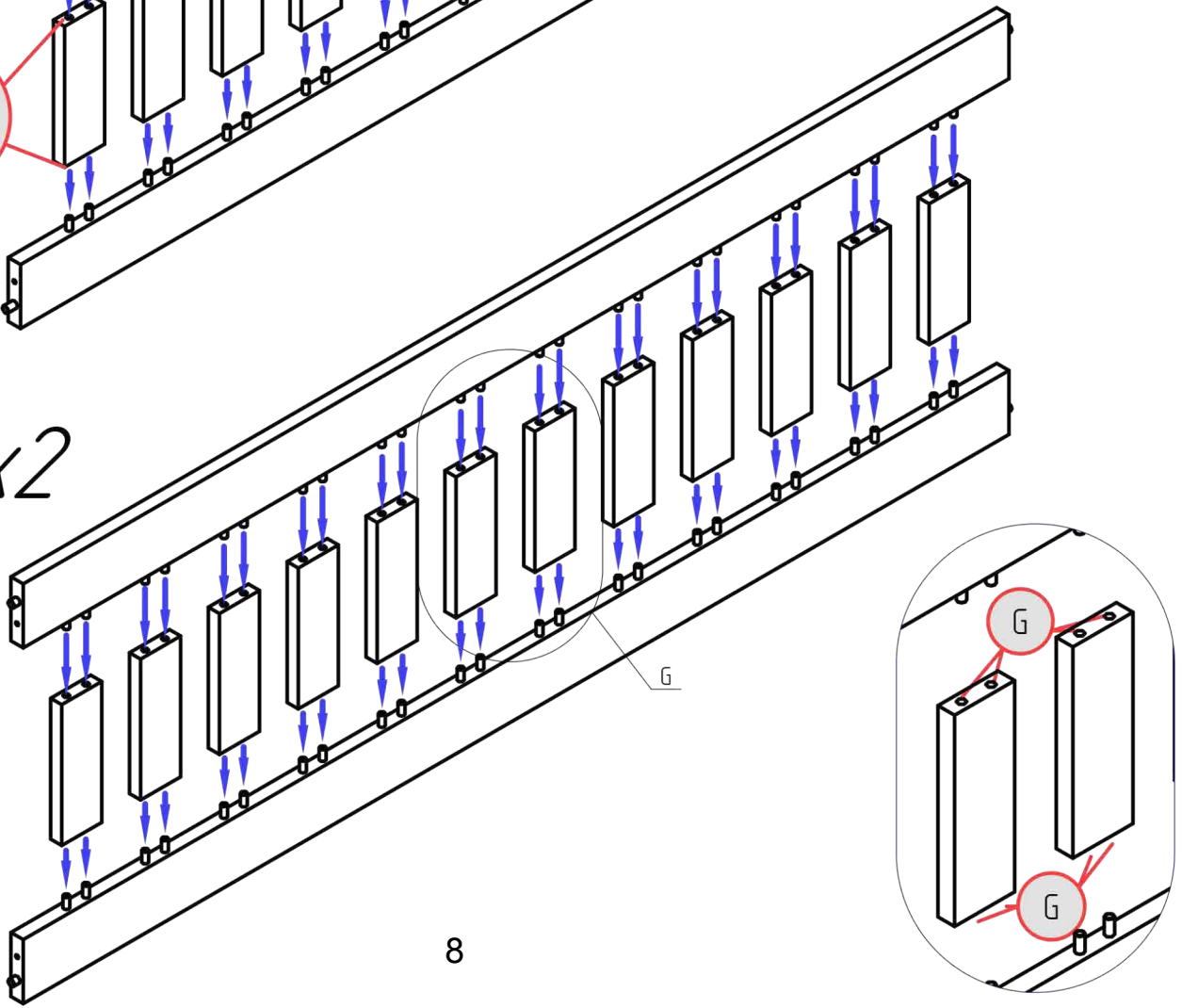
*DKP*



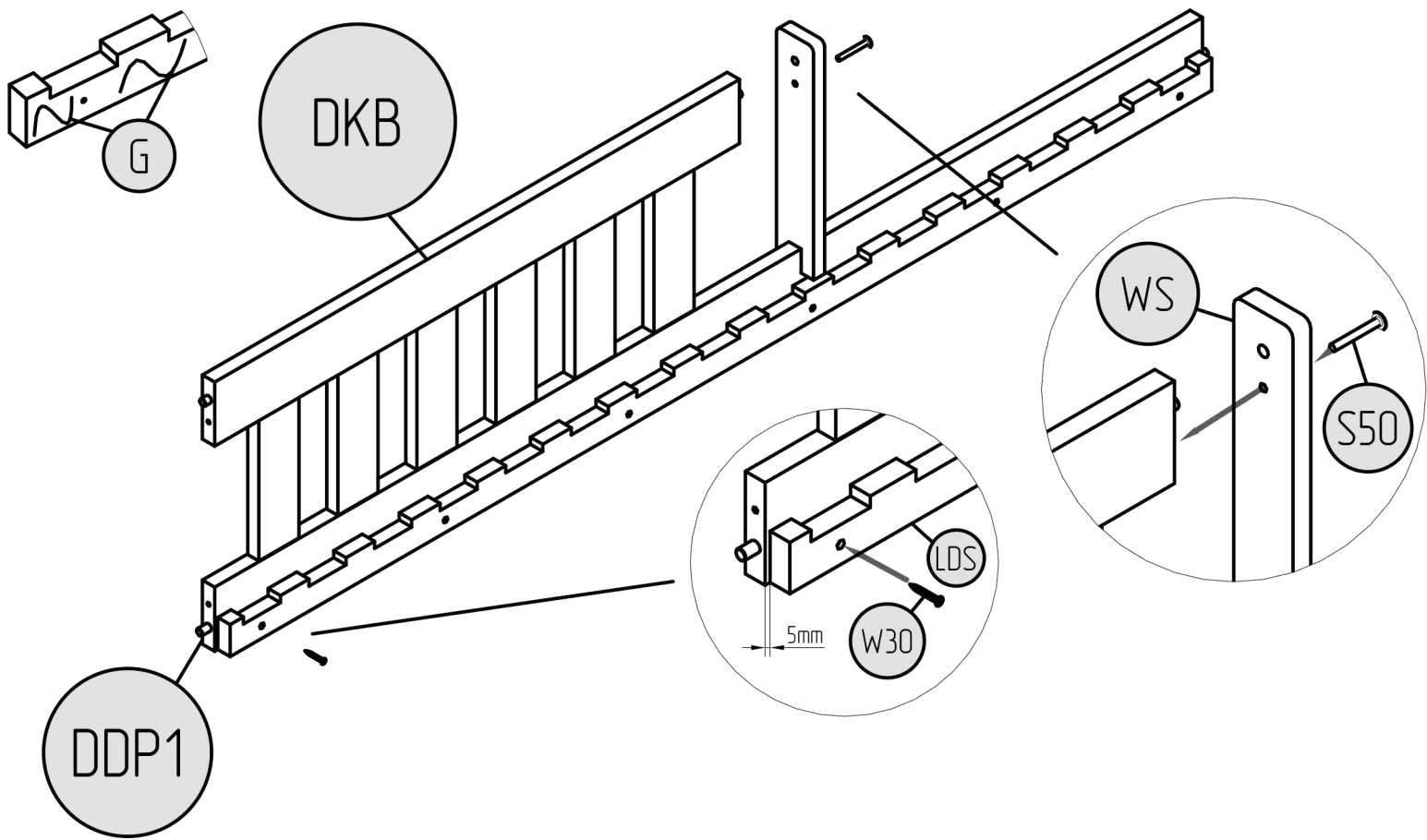
*DKB+DDP1*



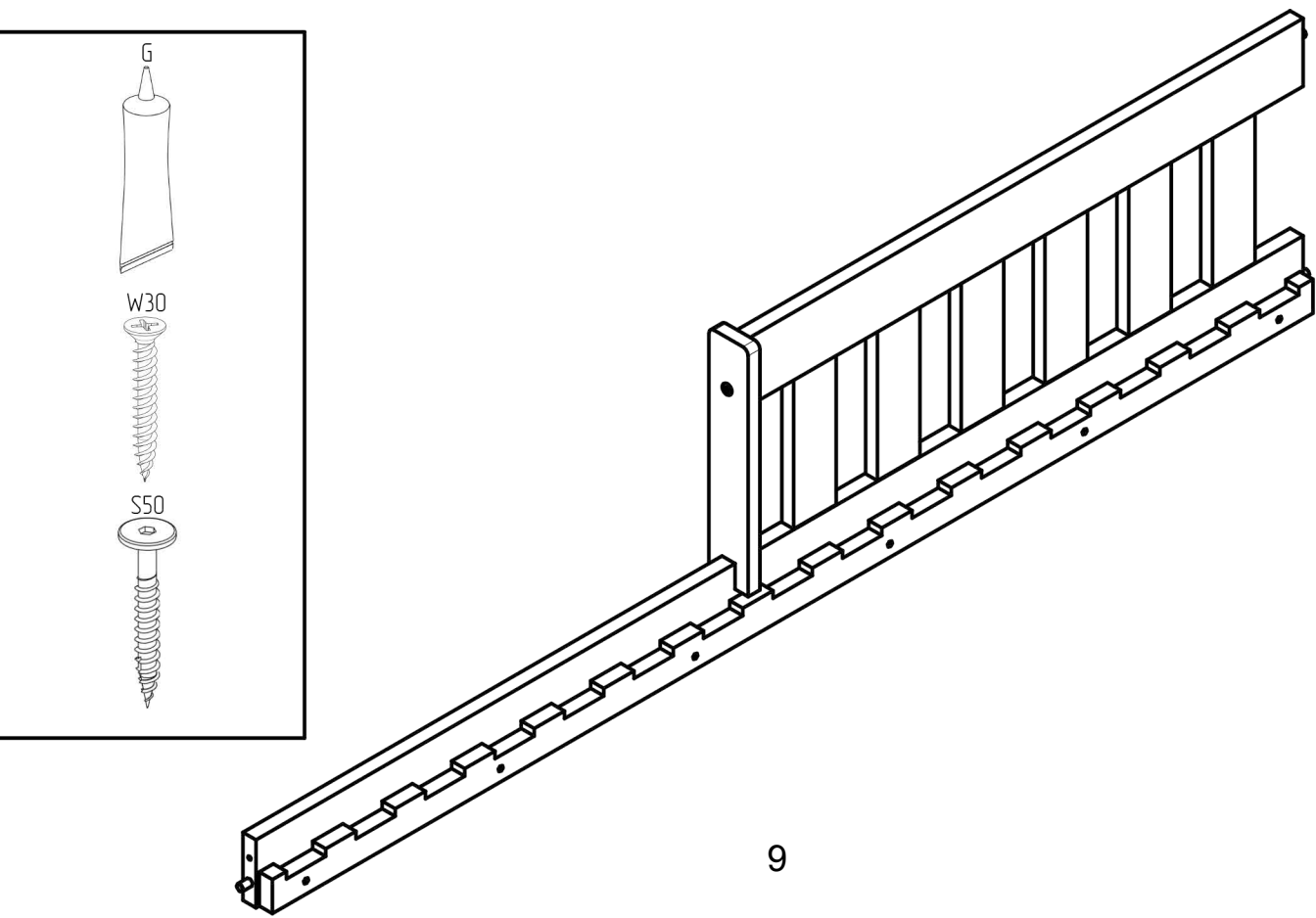
*DDP2x2*

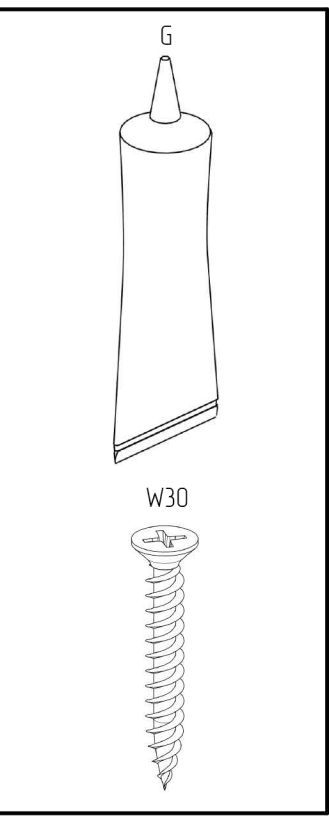
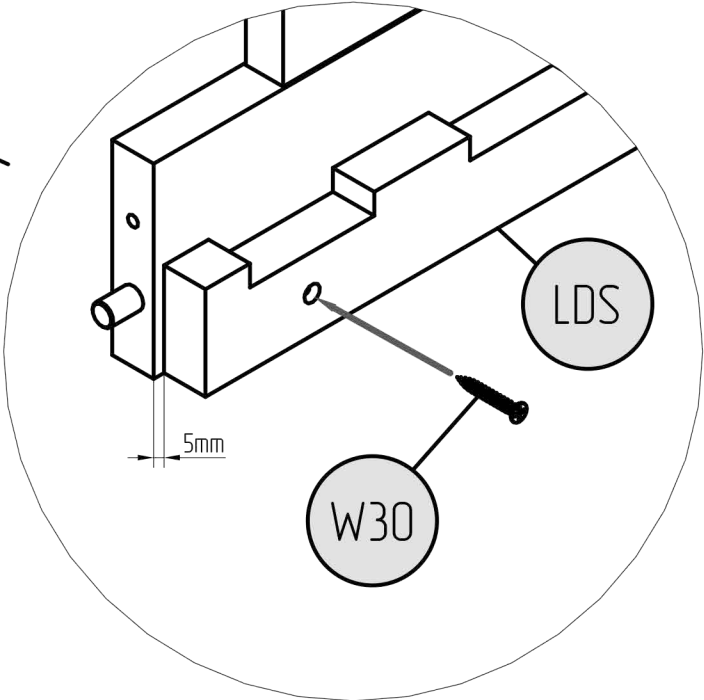
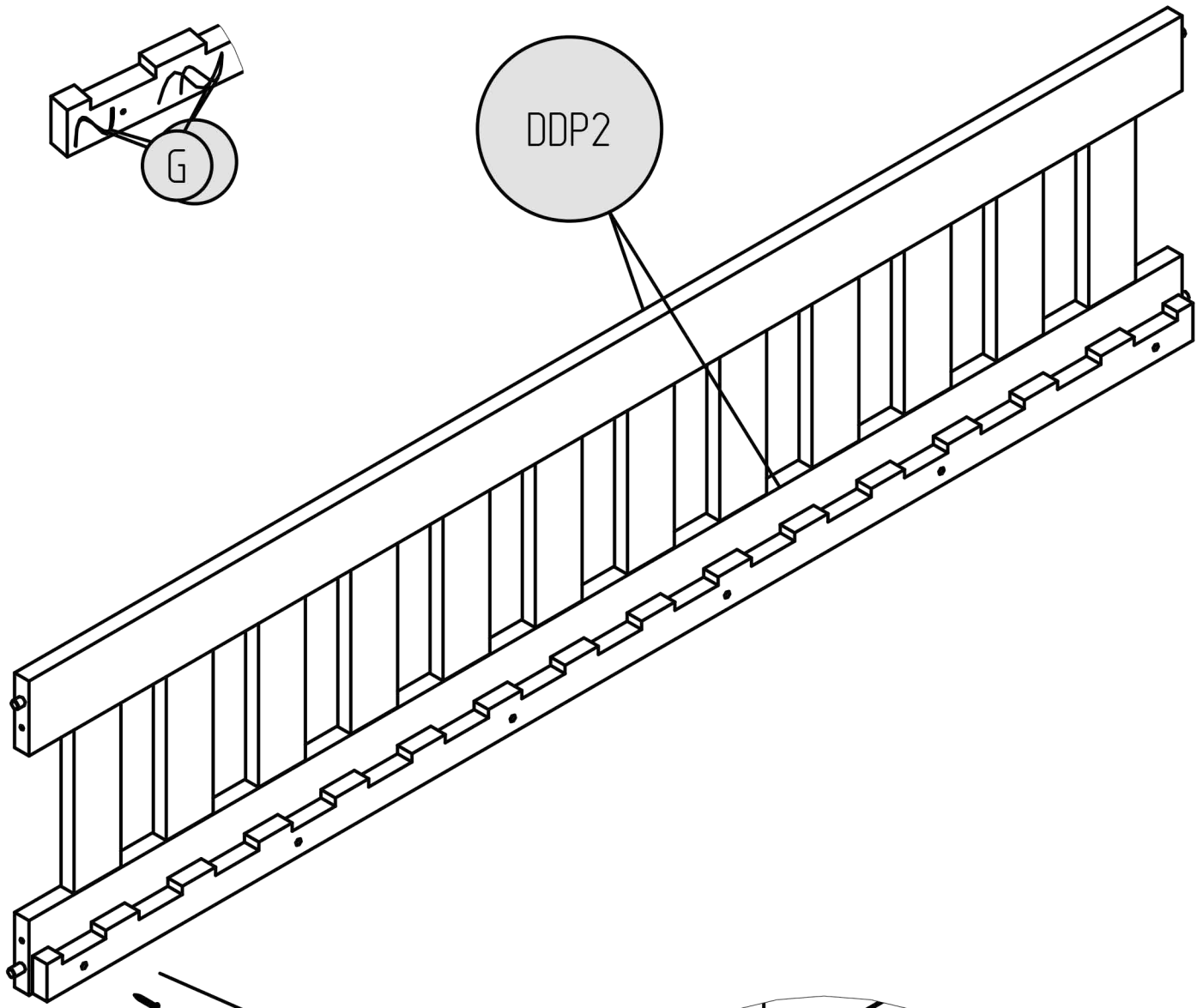


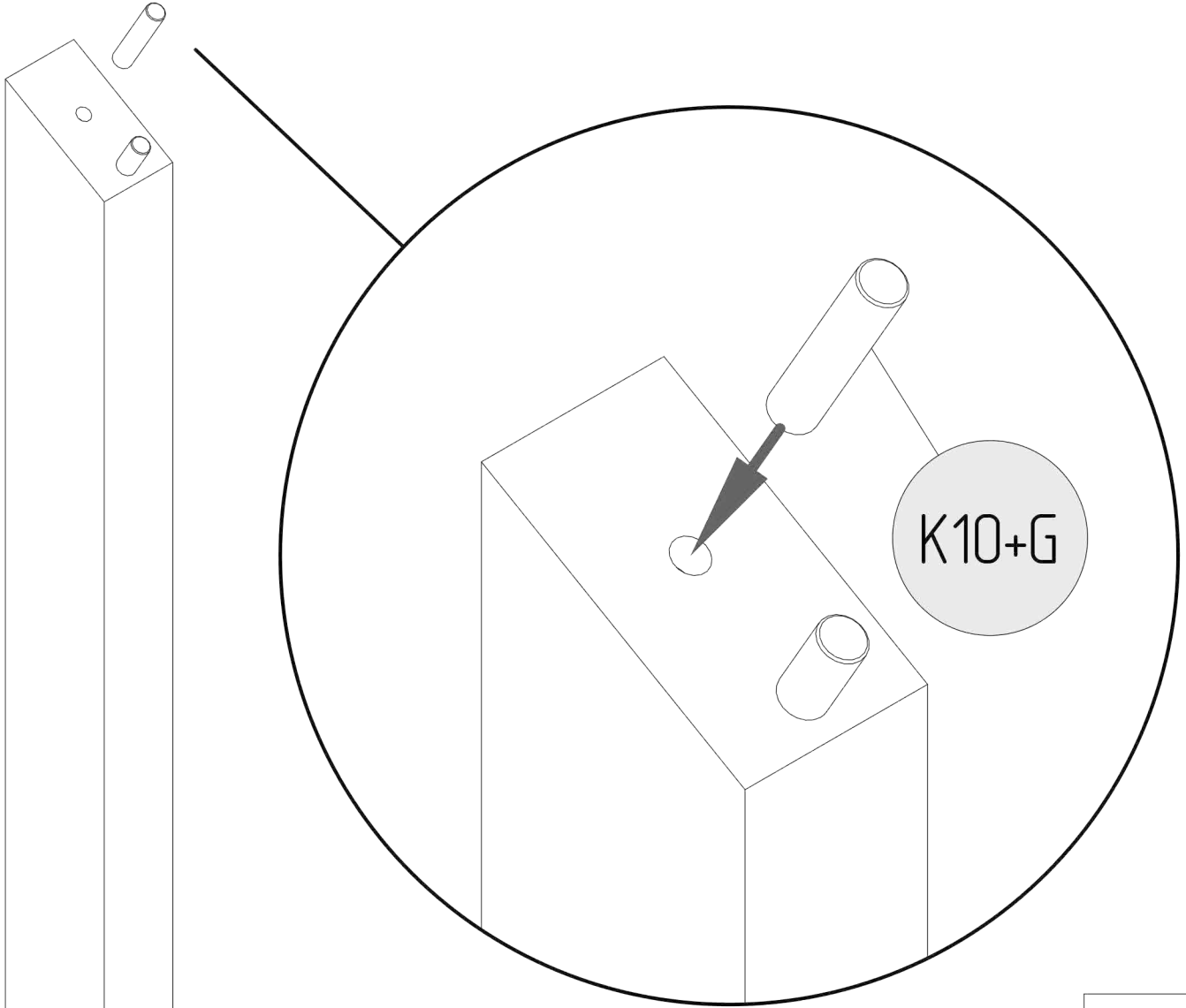




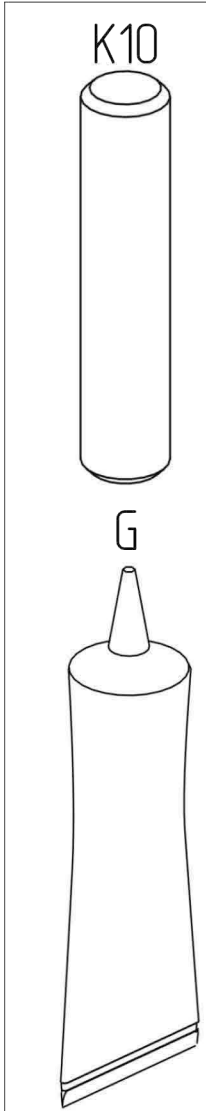
LEFT OR RIGHT SIDE

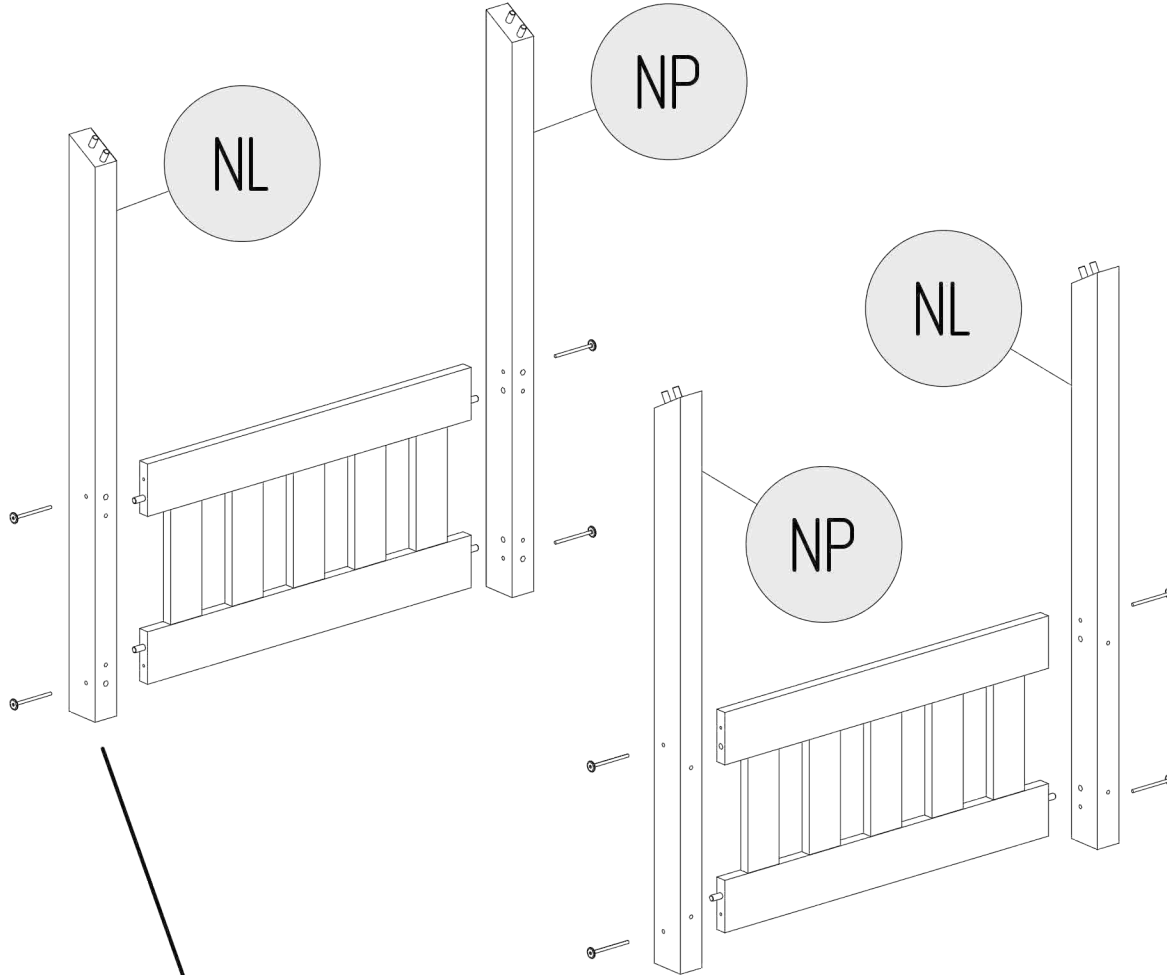




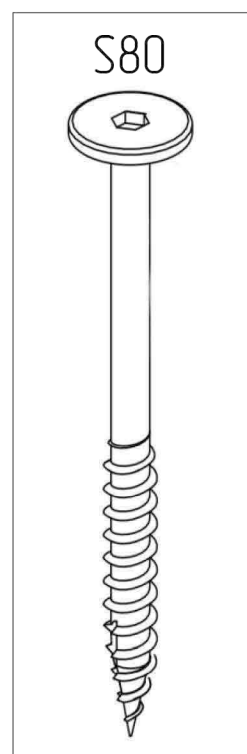
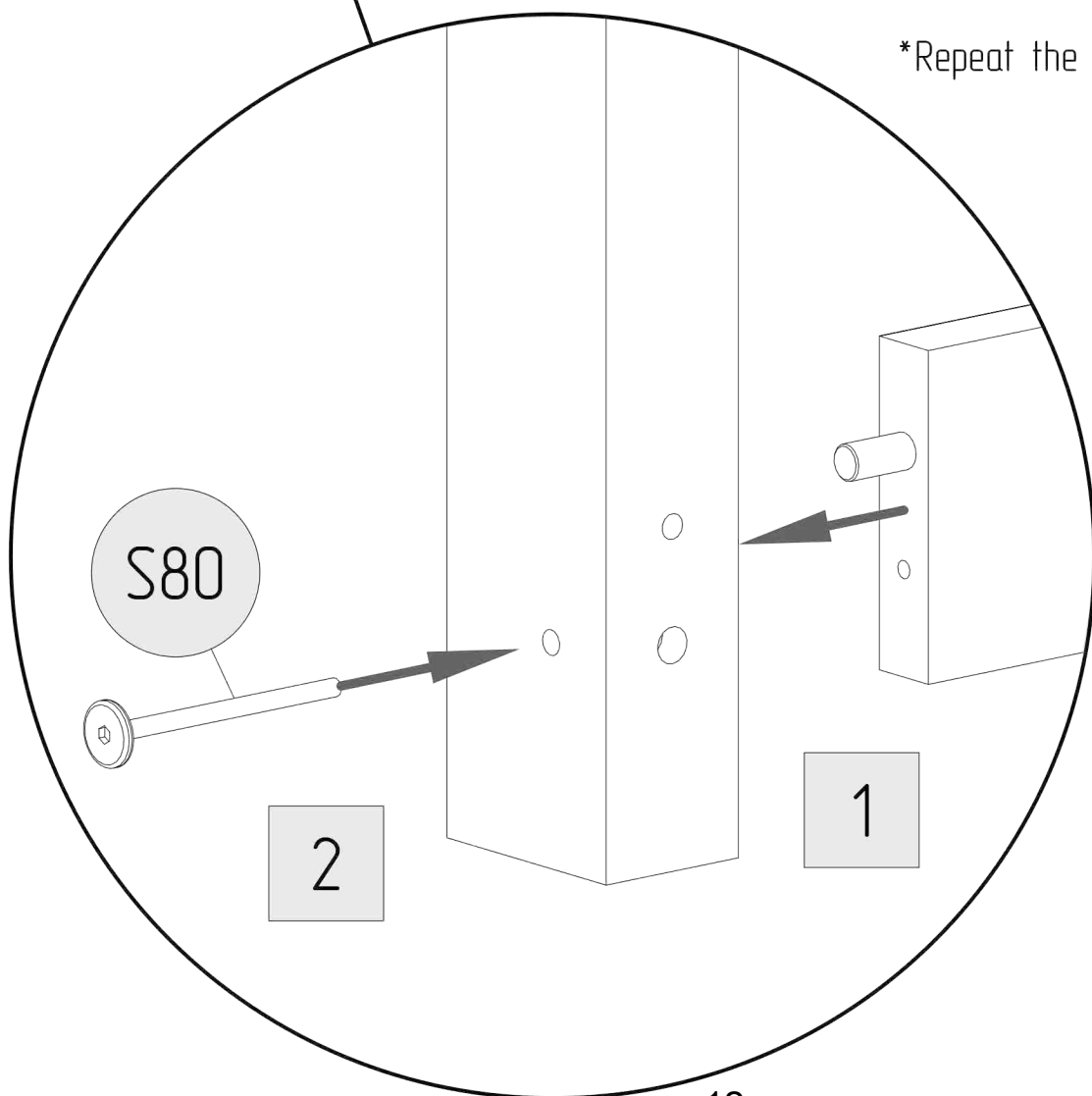


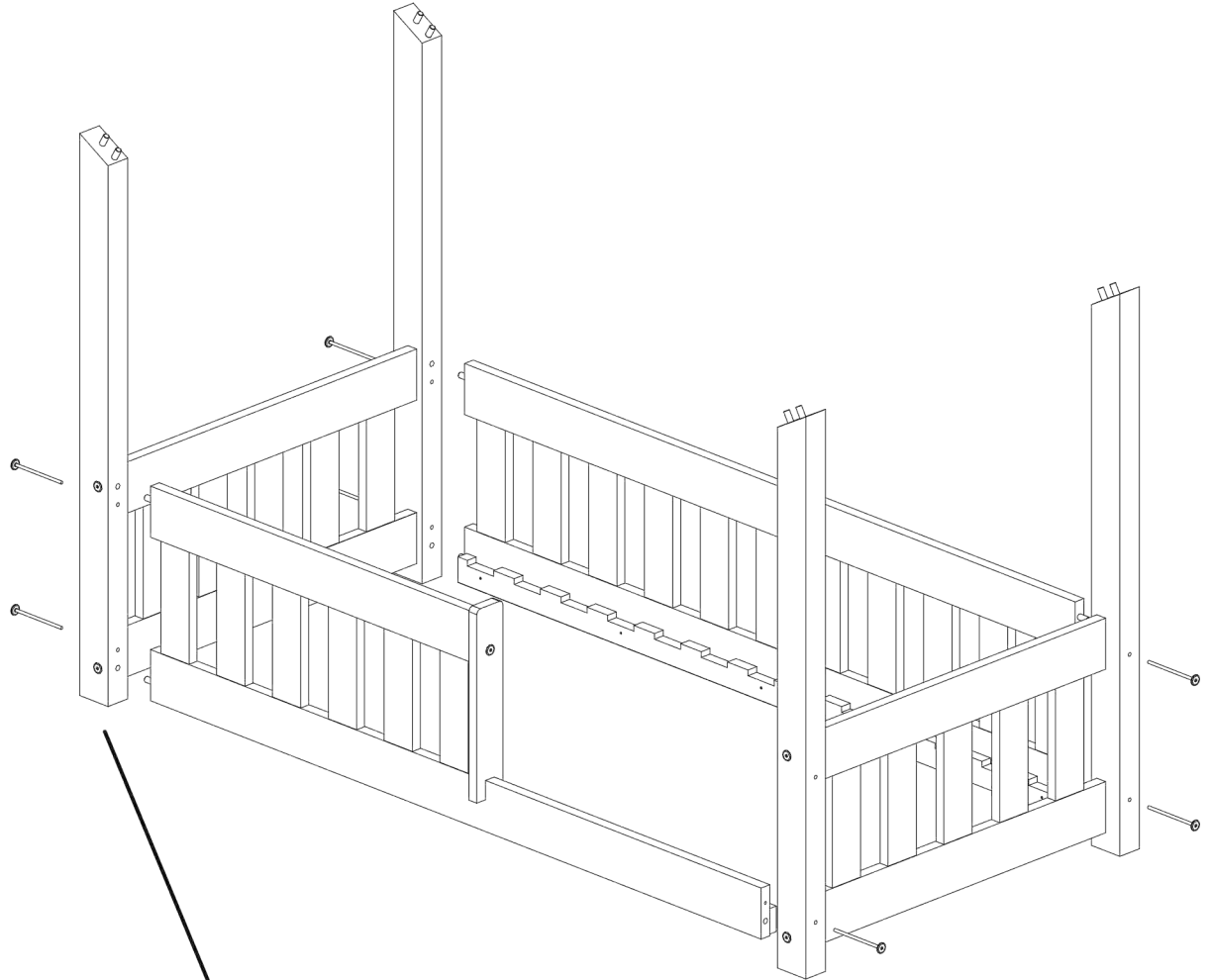
NL/NP X4



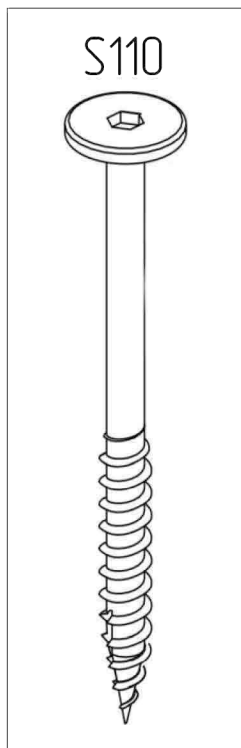
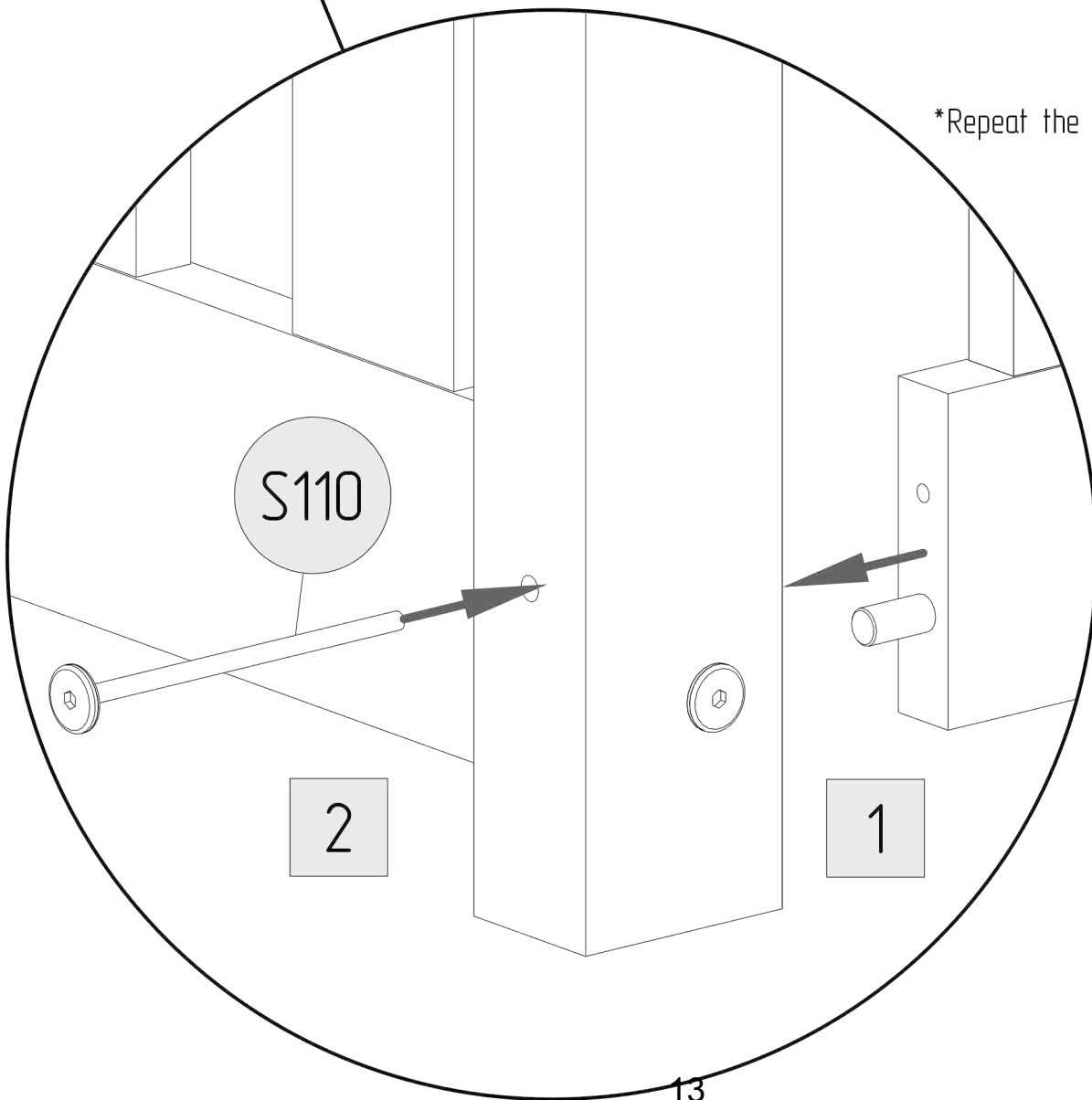


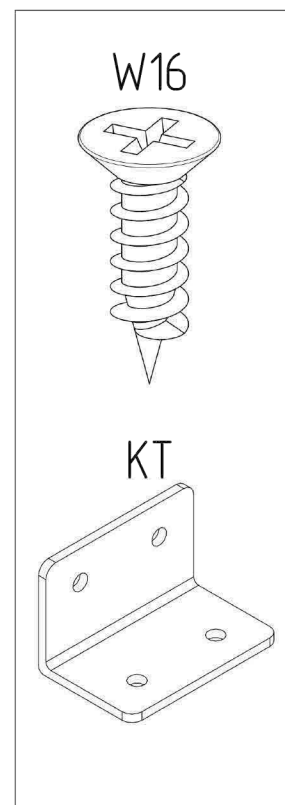
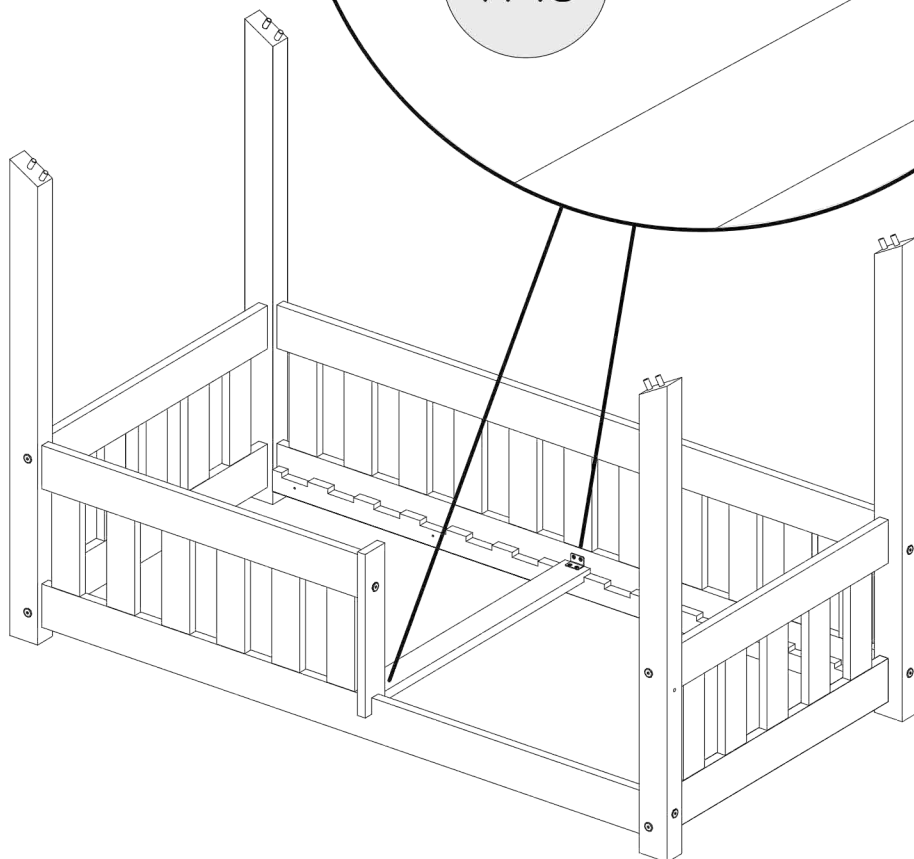
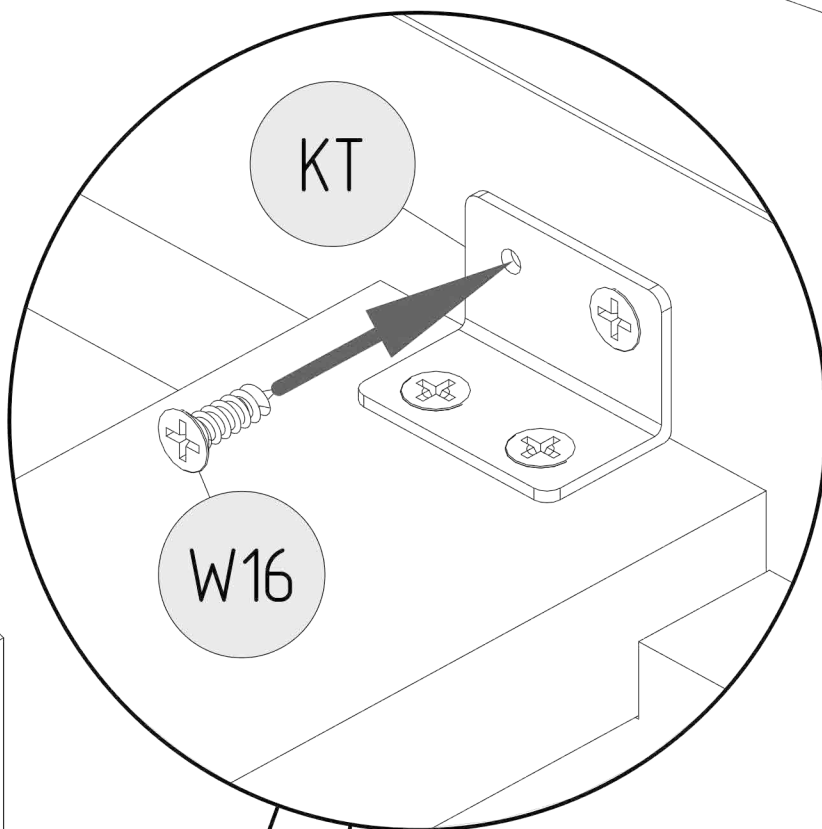
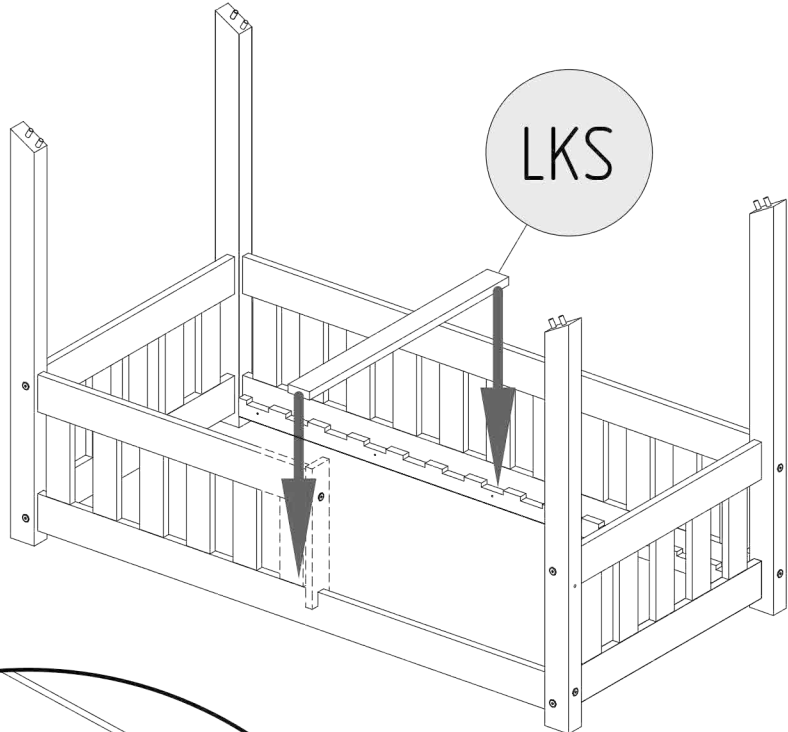
\*Repeat the action to each bed leg



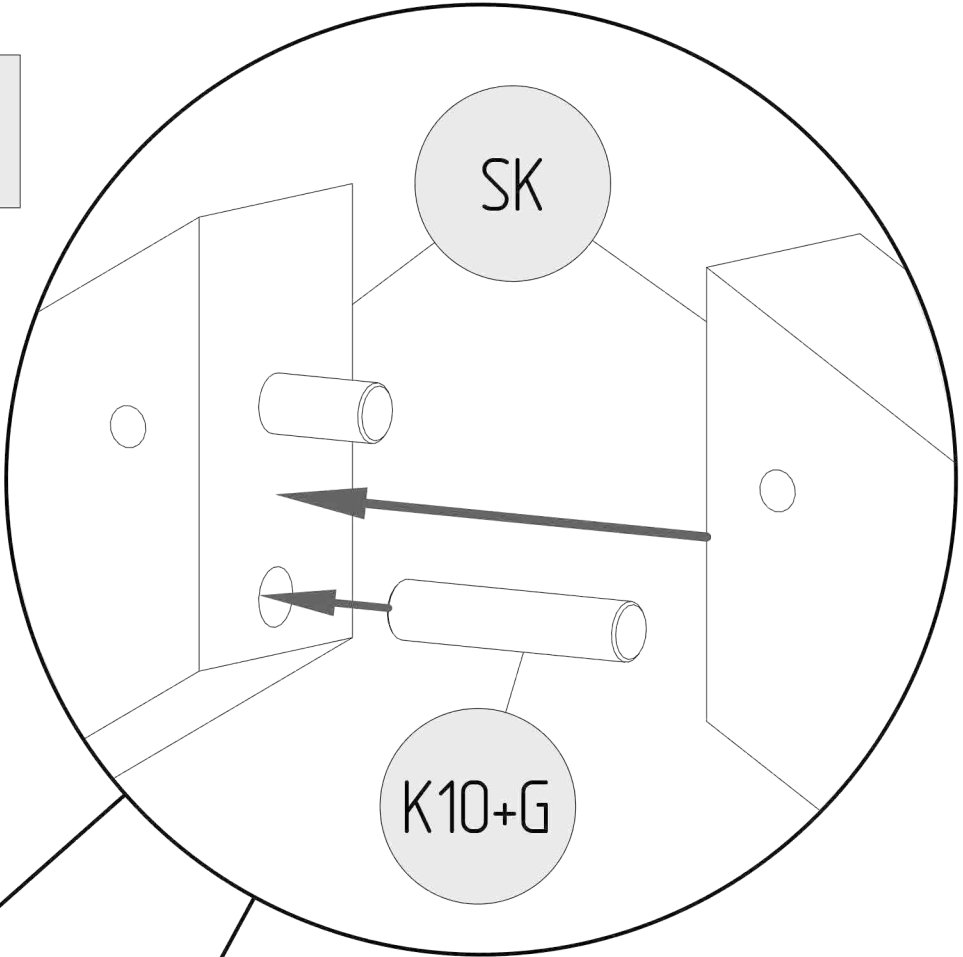


\*Repeat the action to each bed leg

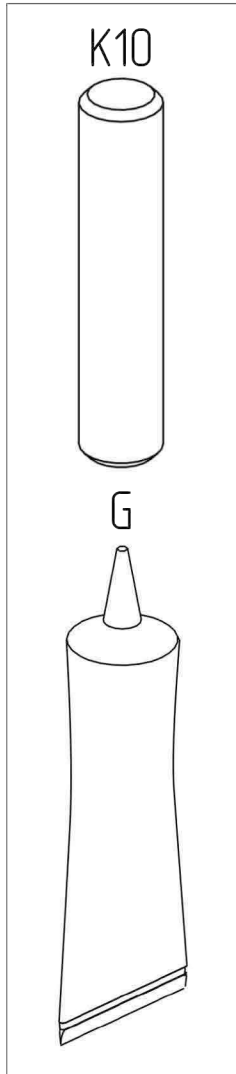
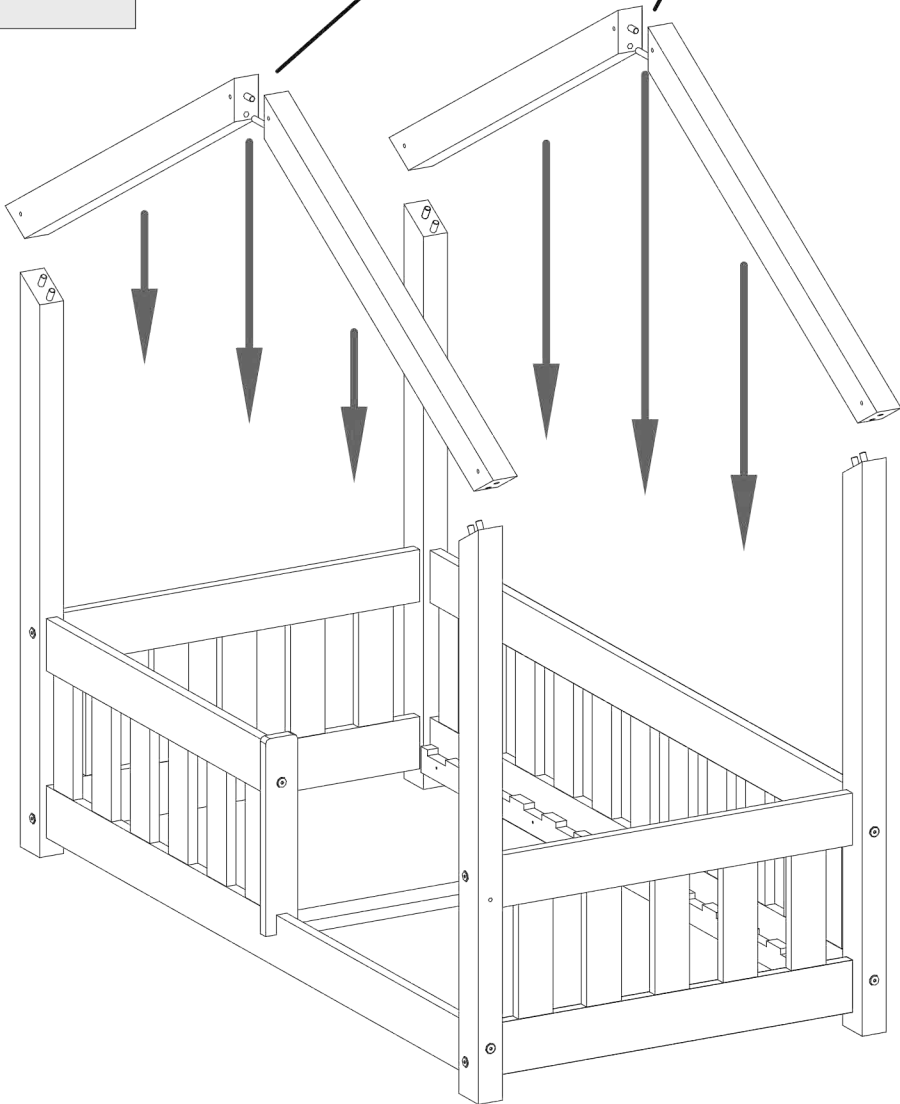




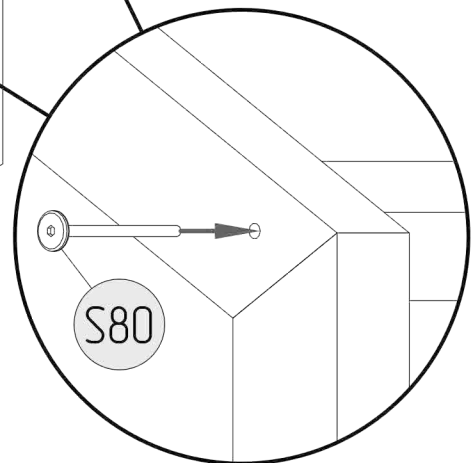
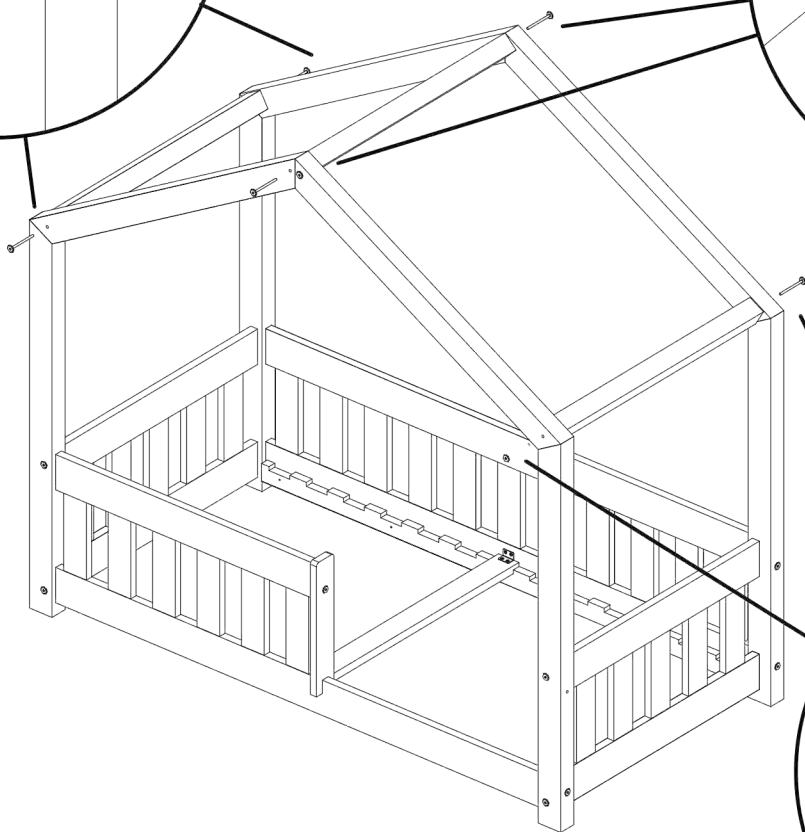
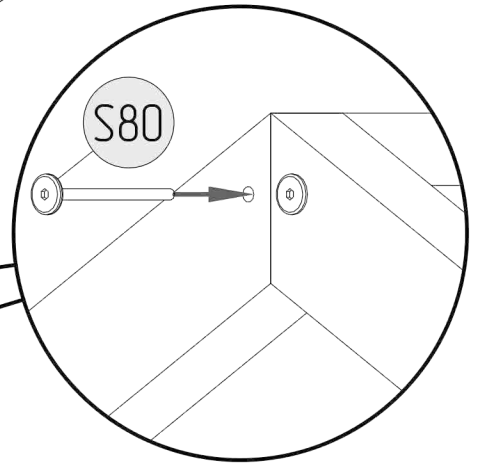
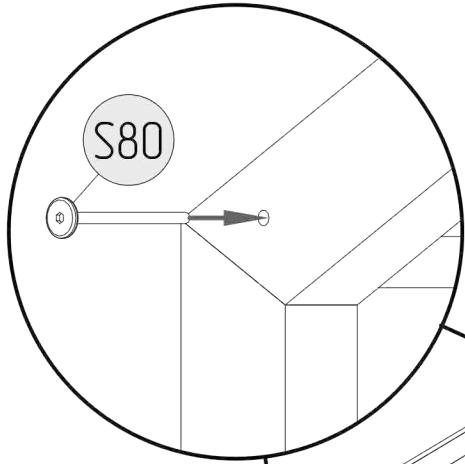
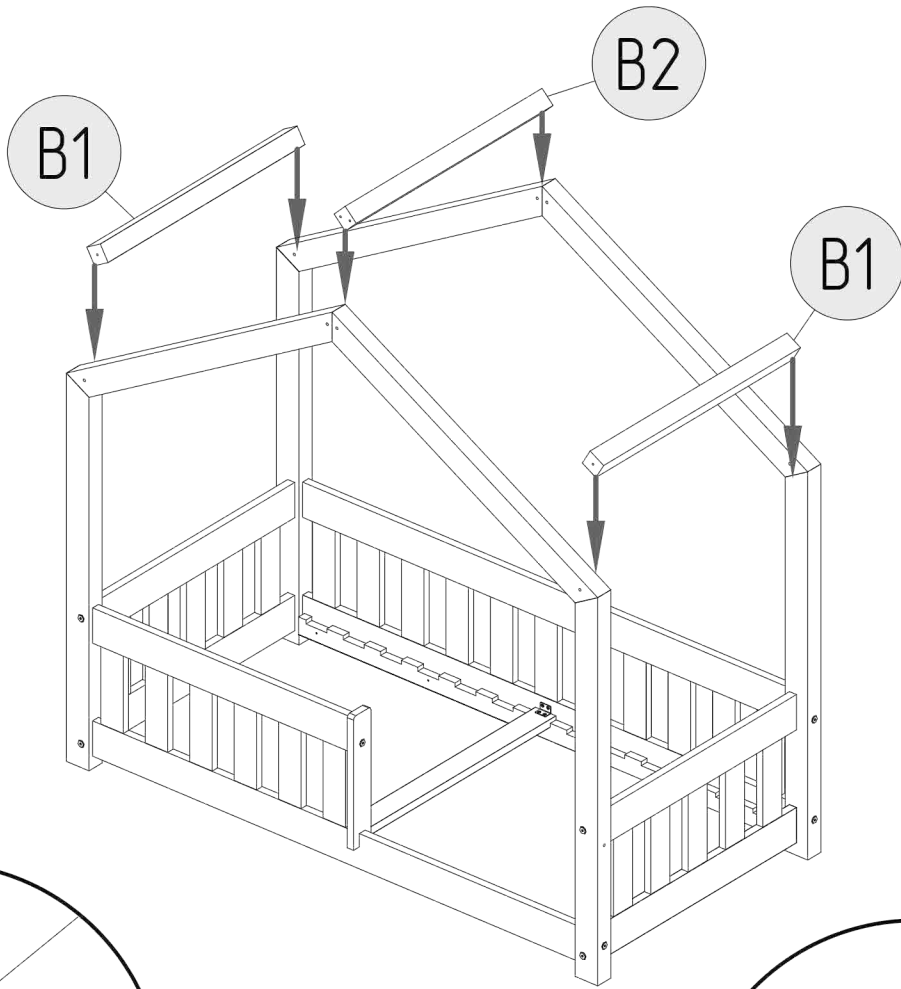
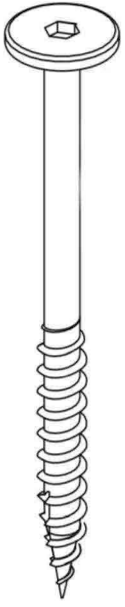
1



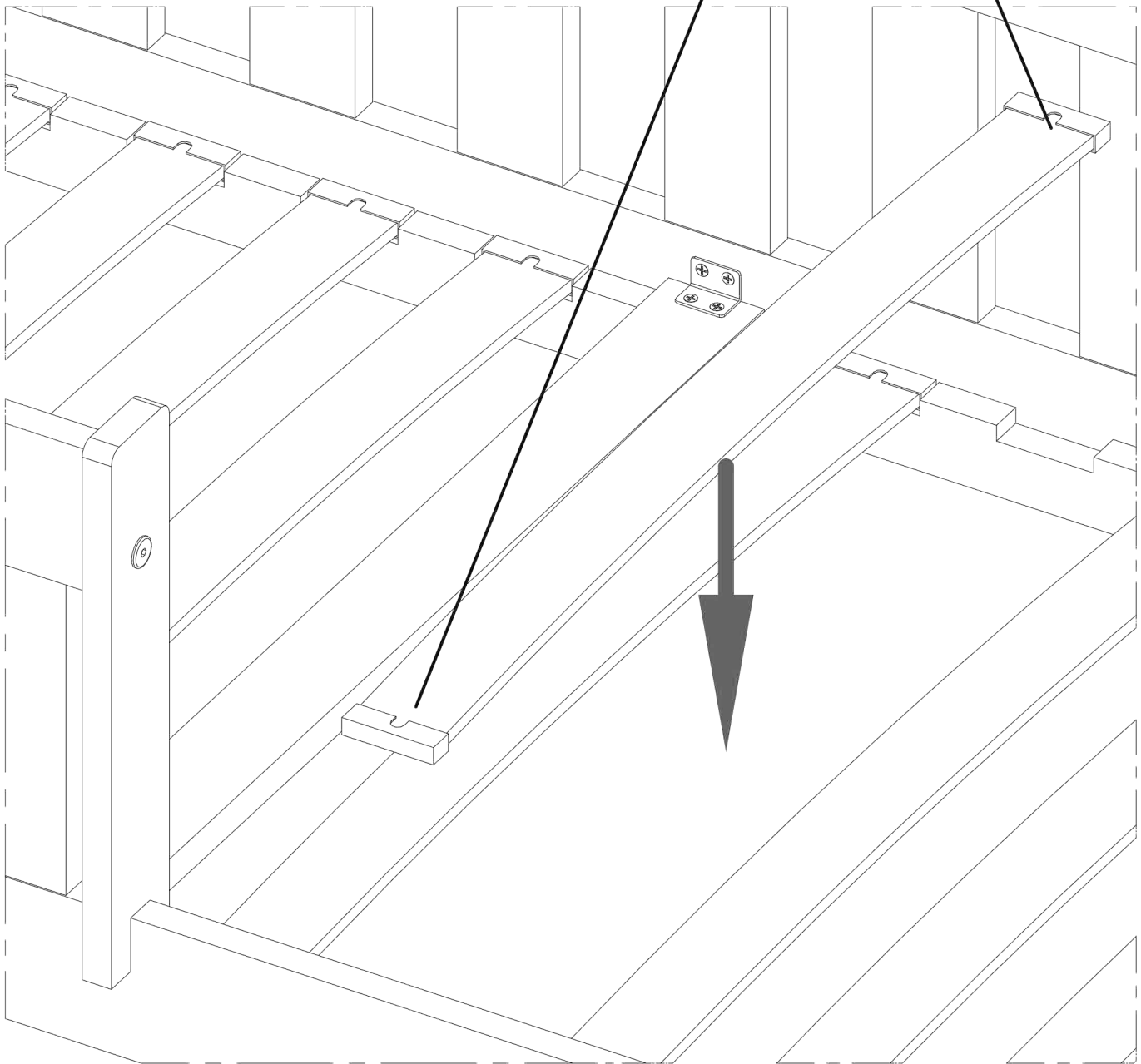
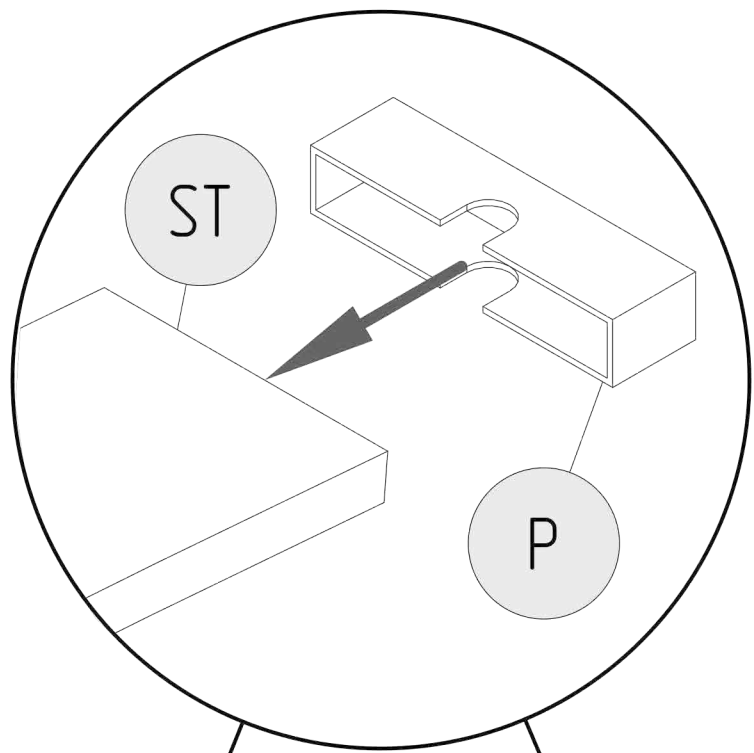
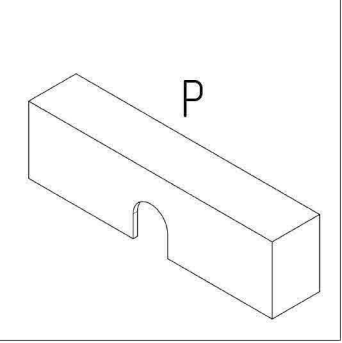
2



S80

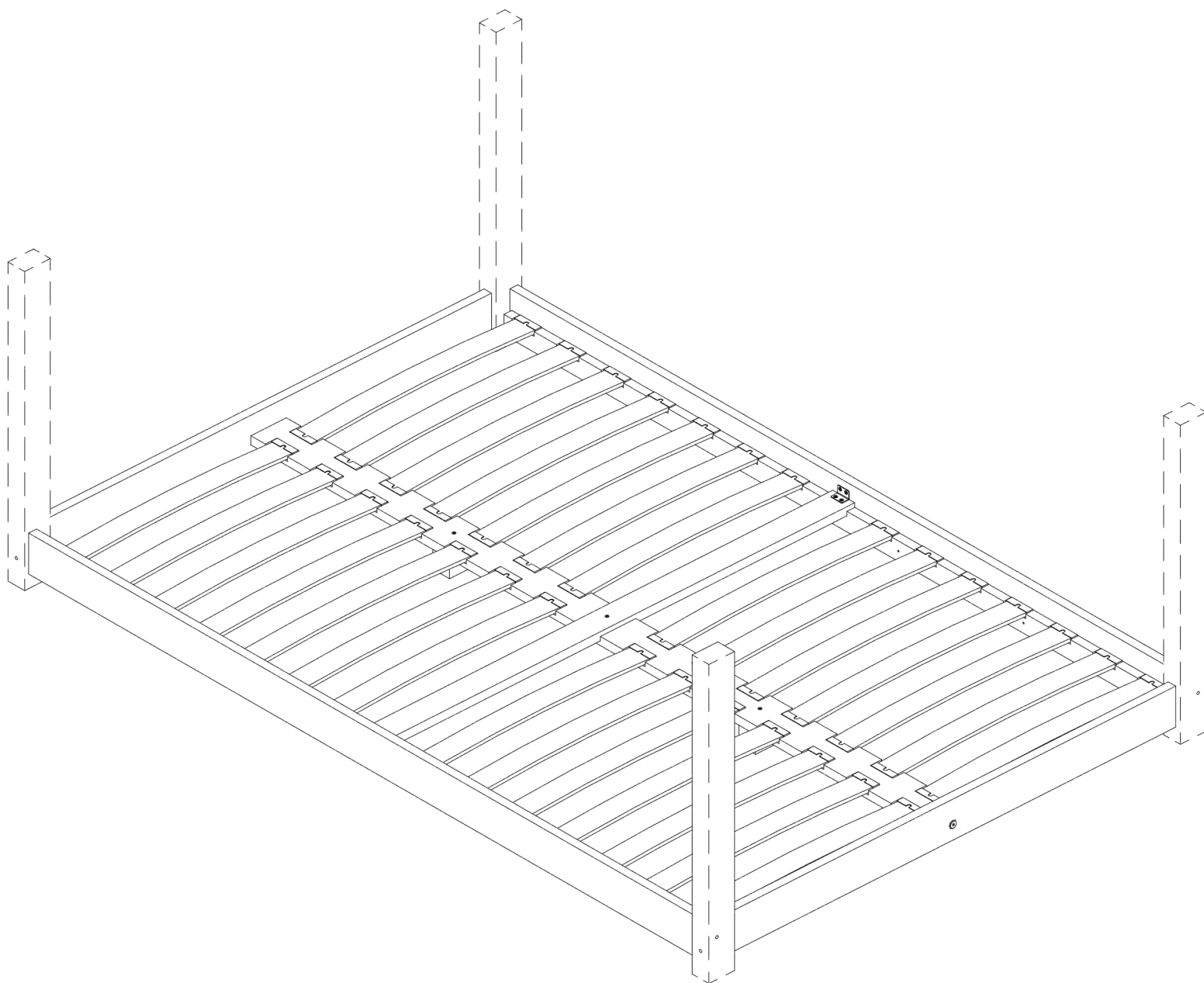


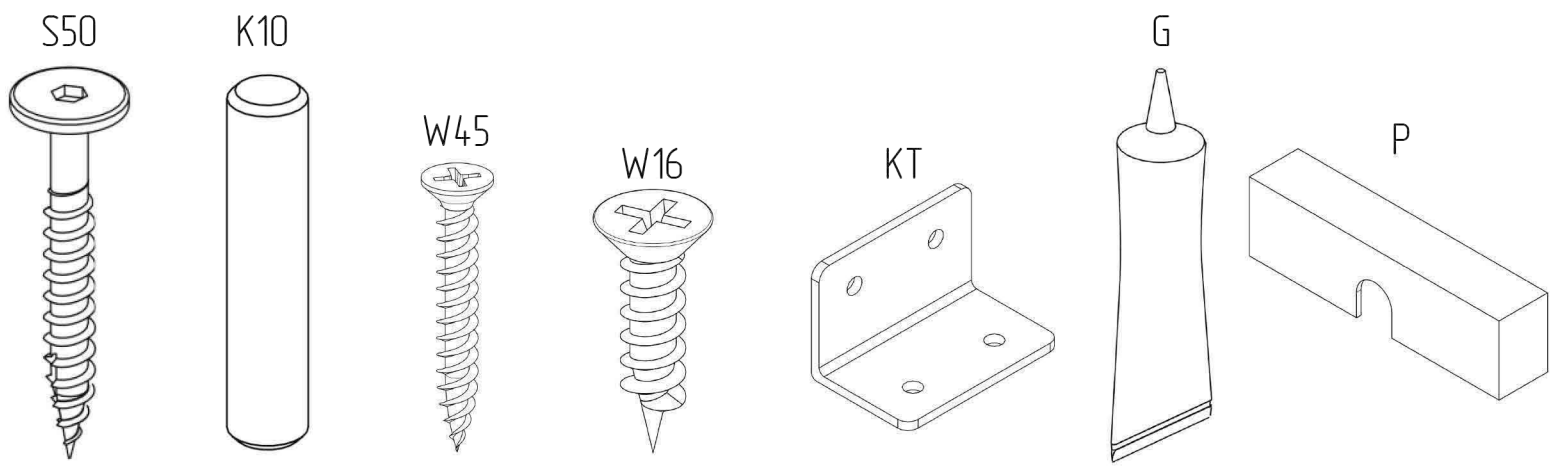
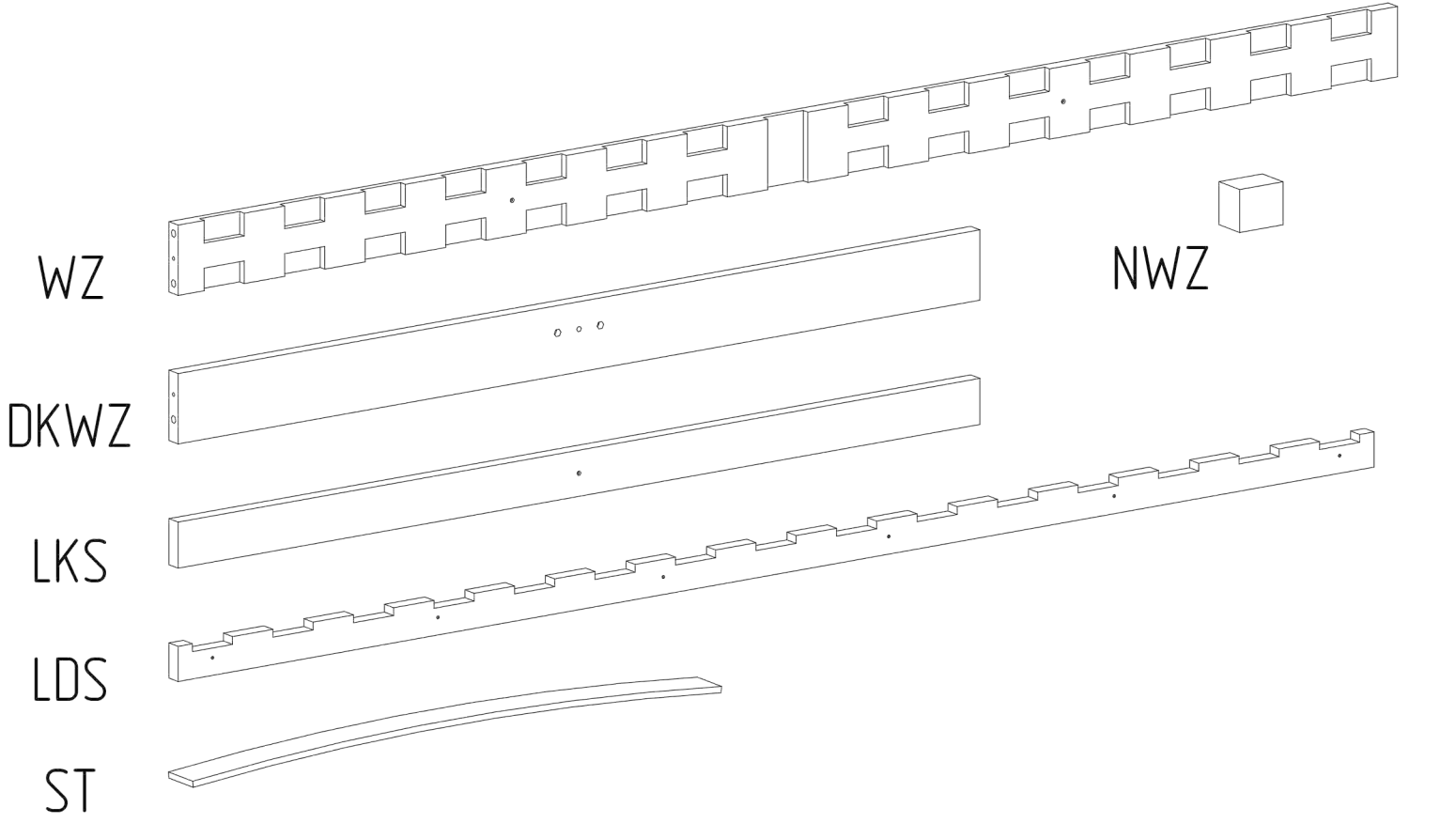




# MANUAL OF BED OVER

## 100cm WIDE

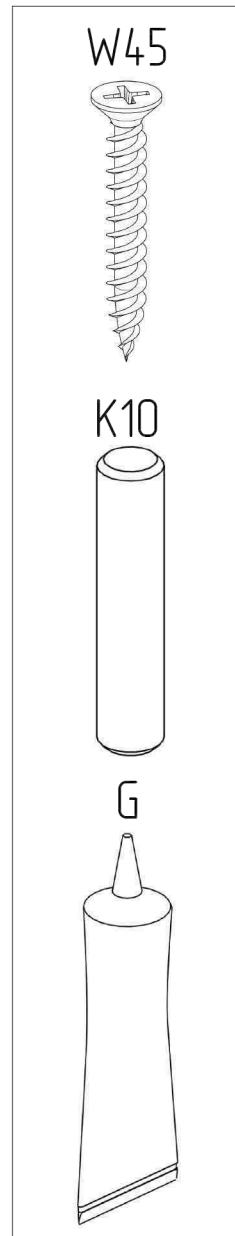
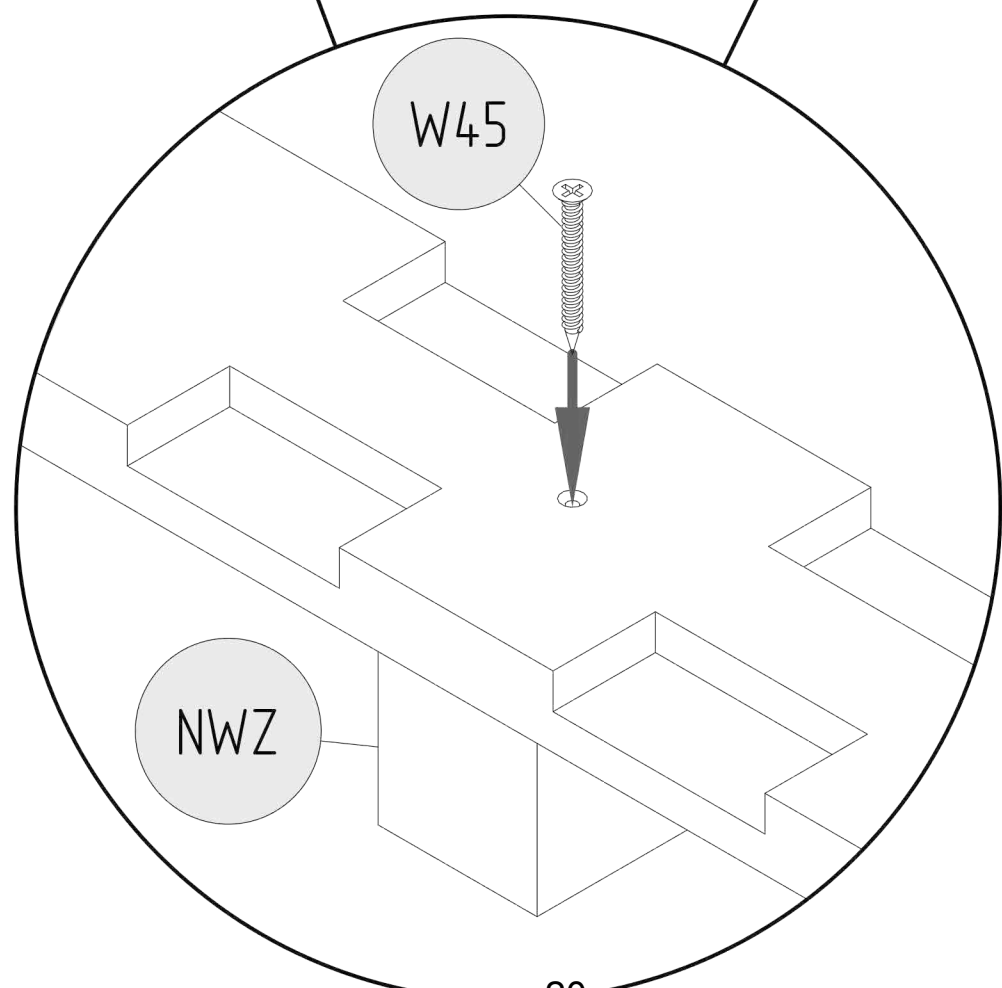
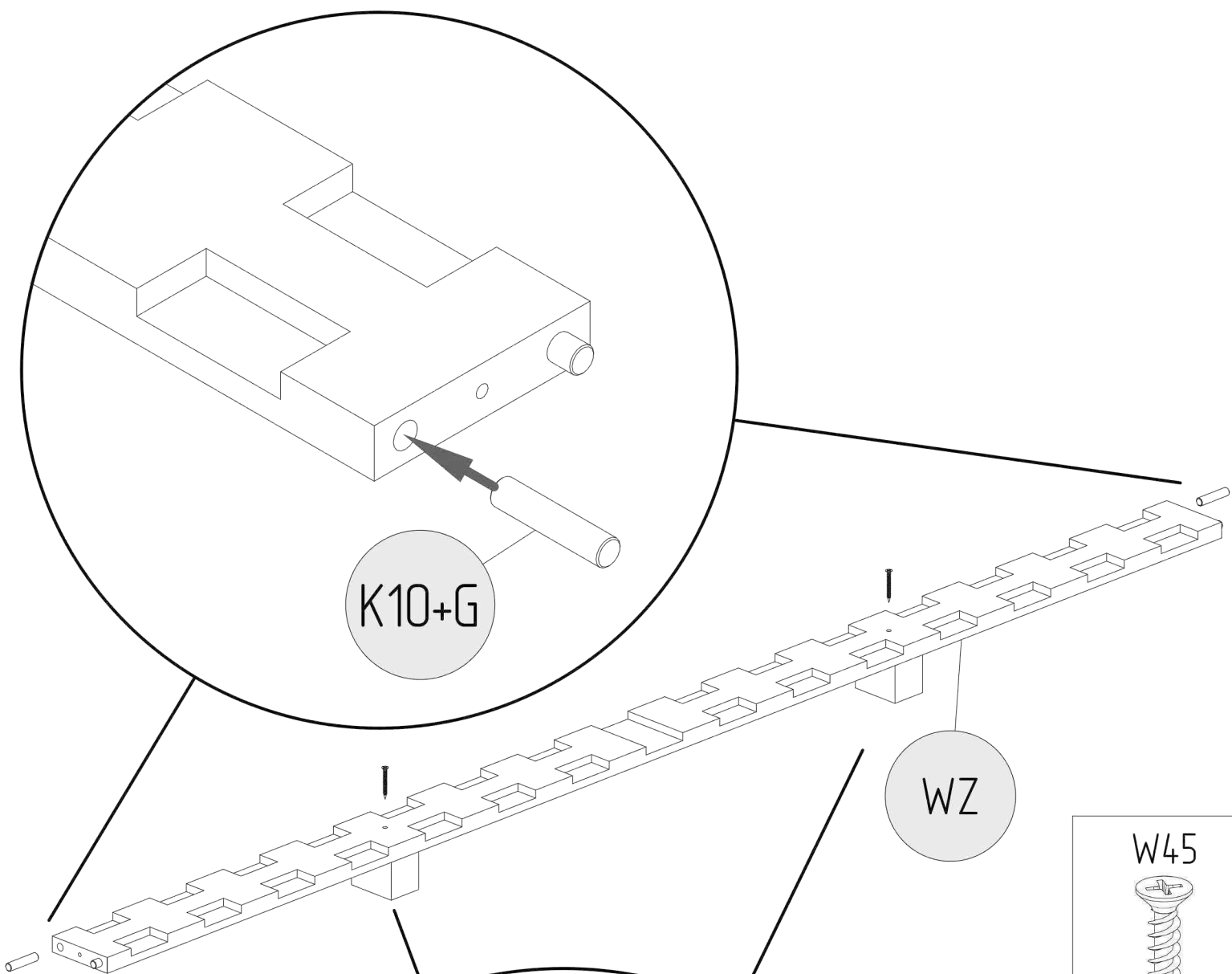


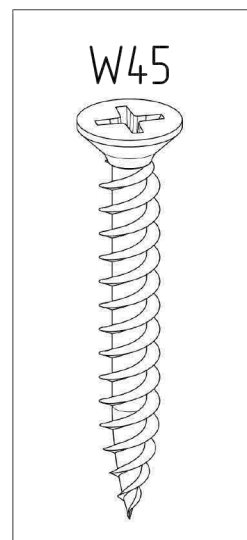
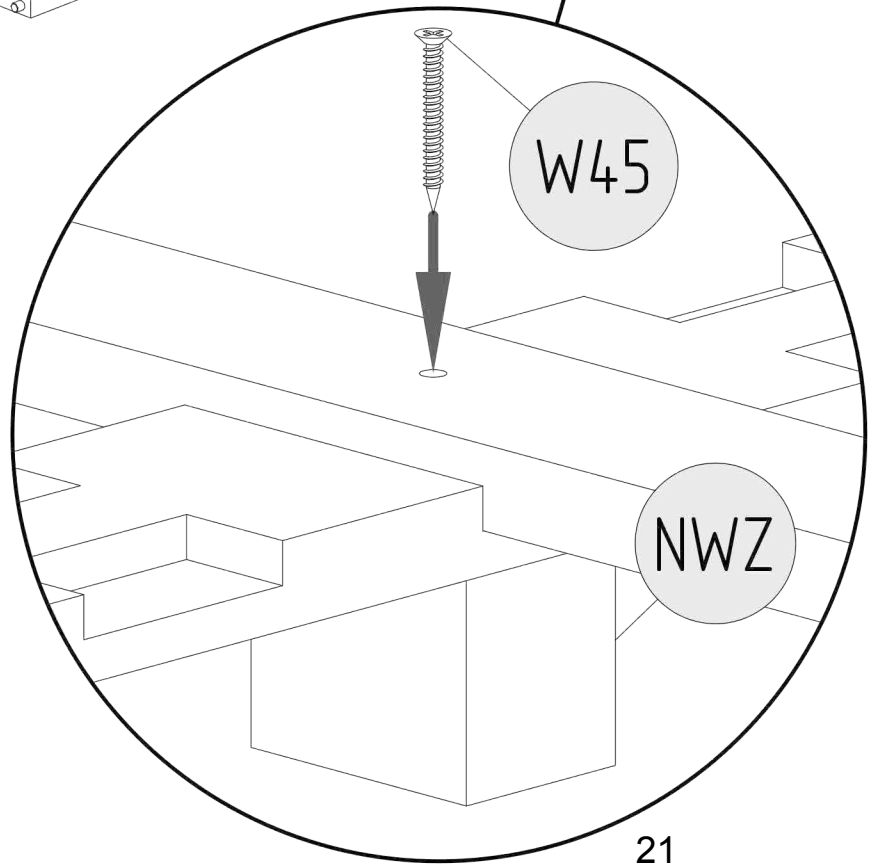
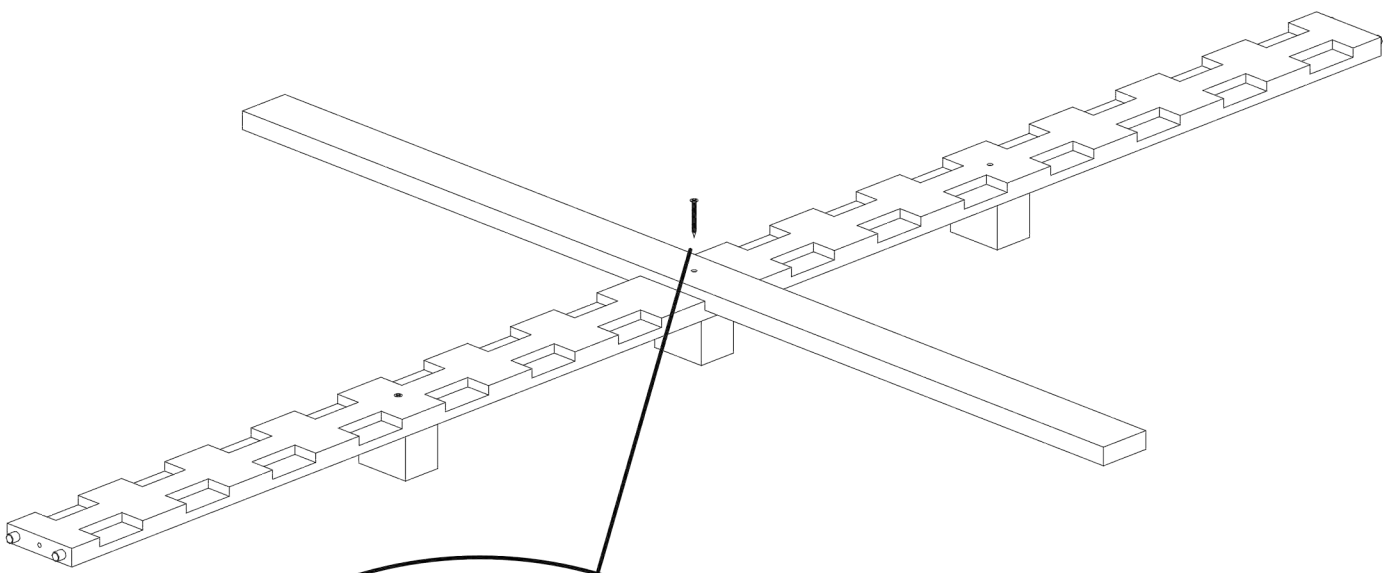
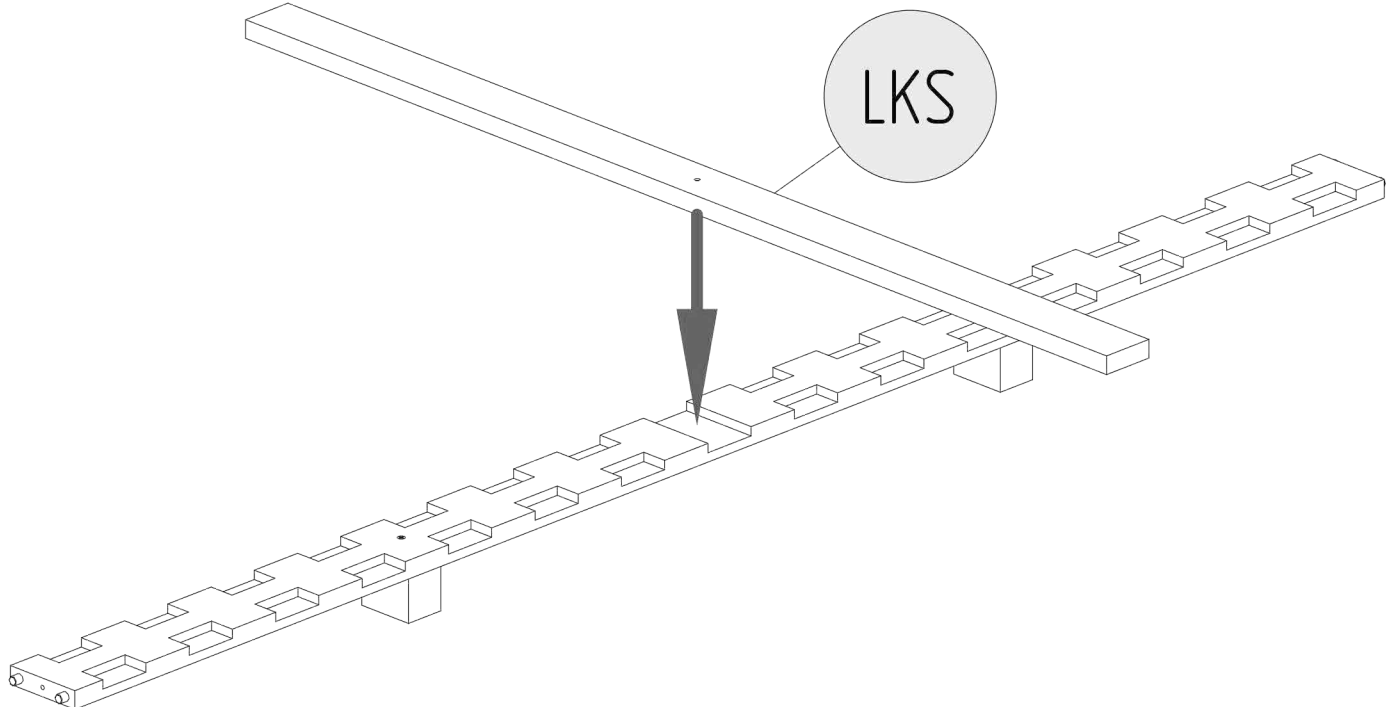


ST	
LENGTH [cm]	QUANTITY
180	28
190	32
200	32

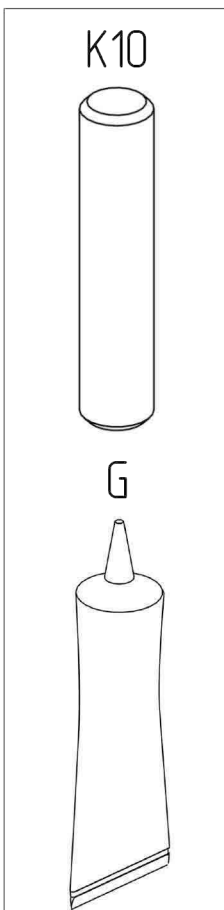
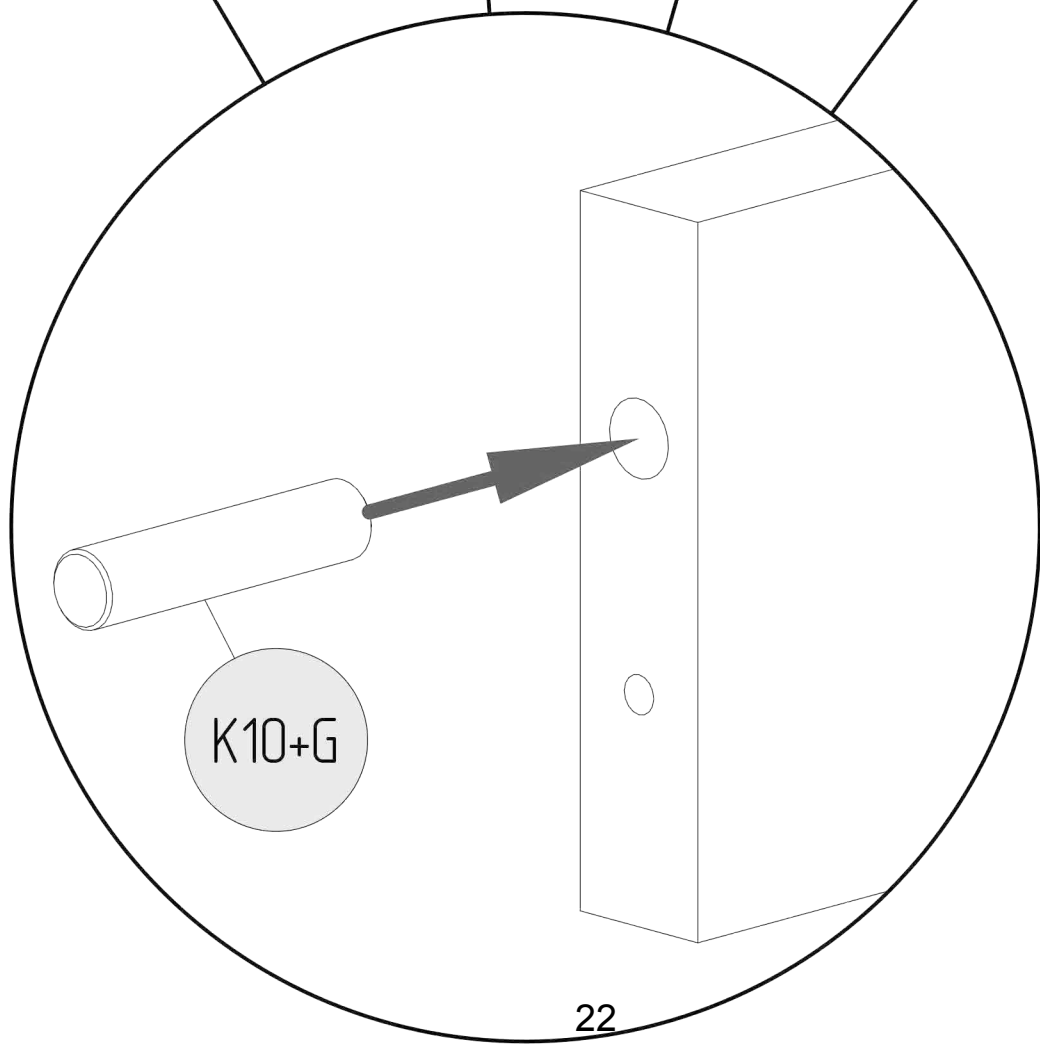
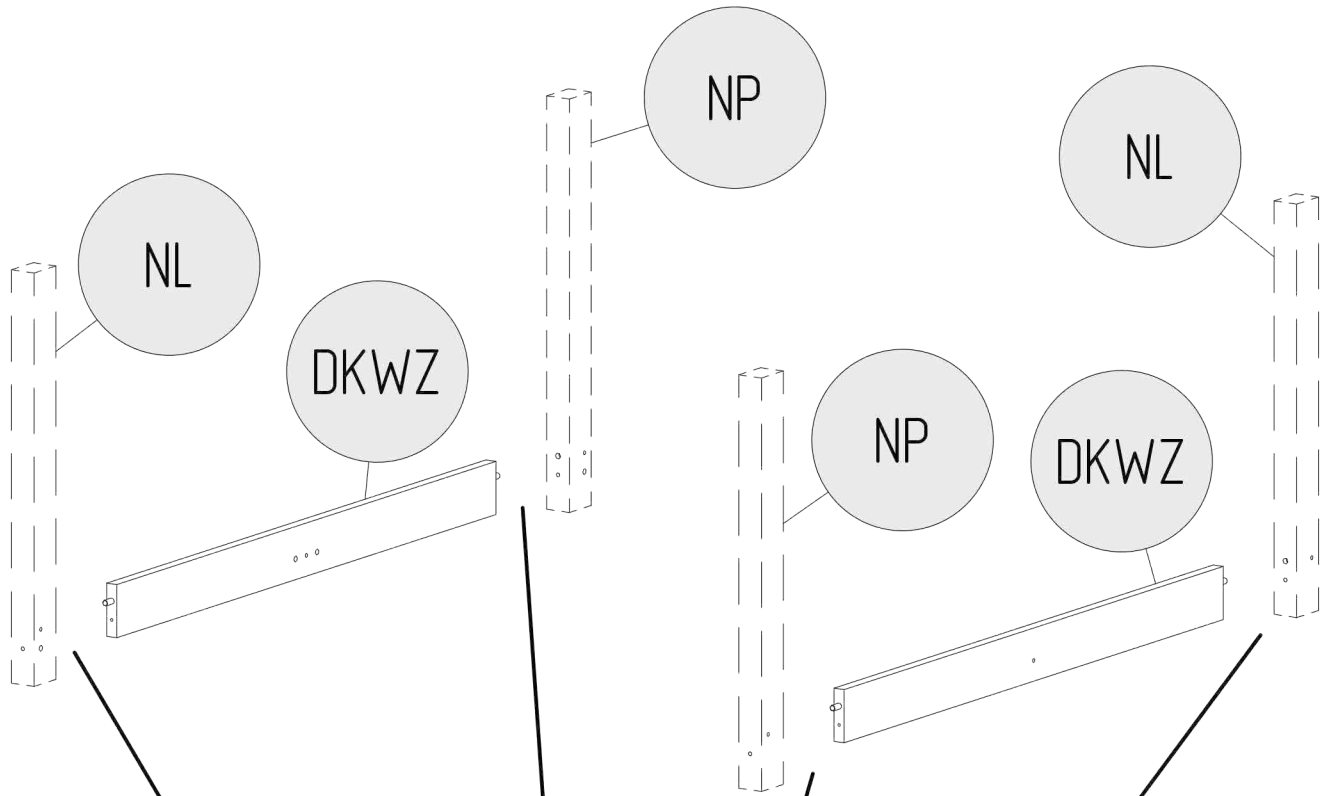
P	
LENGTH [cm]	QUANTITY
180	56
190	64
200	64

PART	WZ	DKWZ	NWZ	LKS	LDS	S50	K10	W45	W16	KT
QUANTITY	1	2	3	1	2	2	4	3	8	2

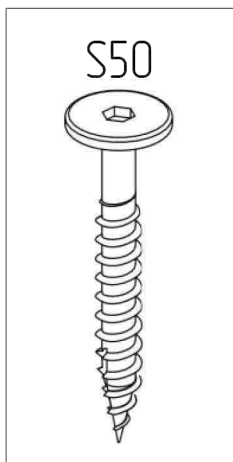
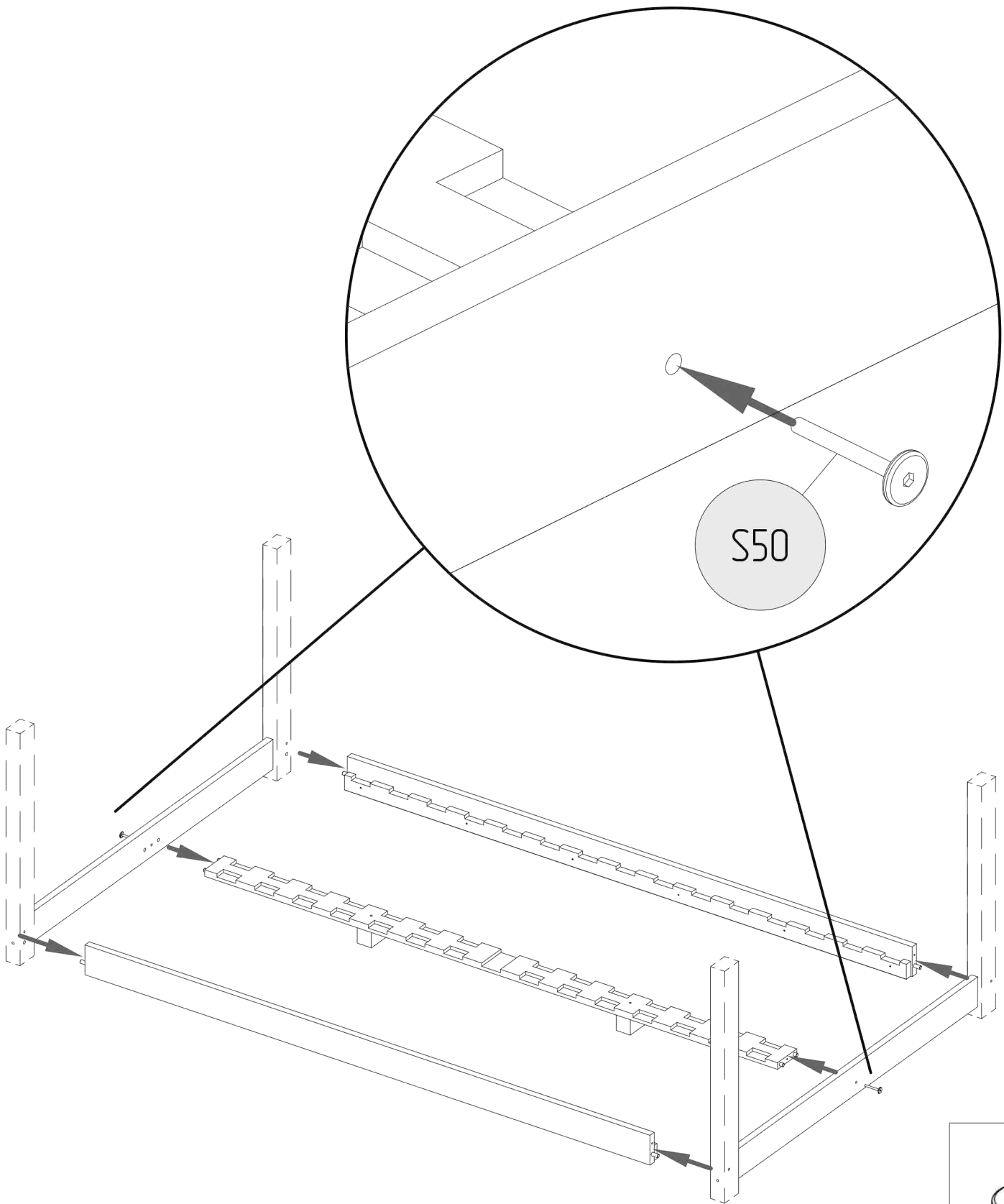


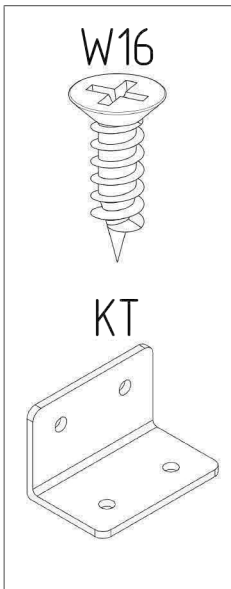
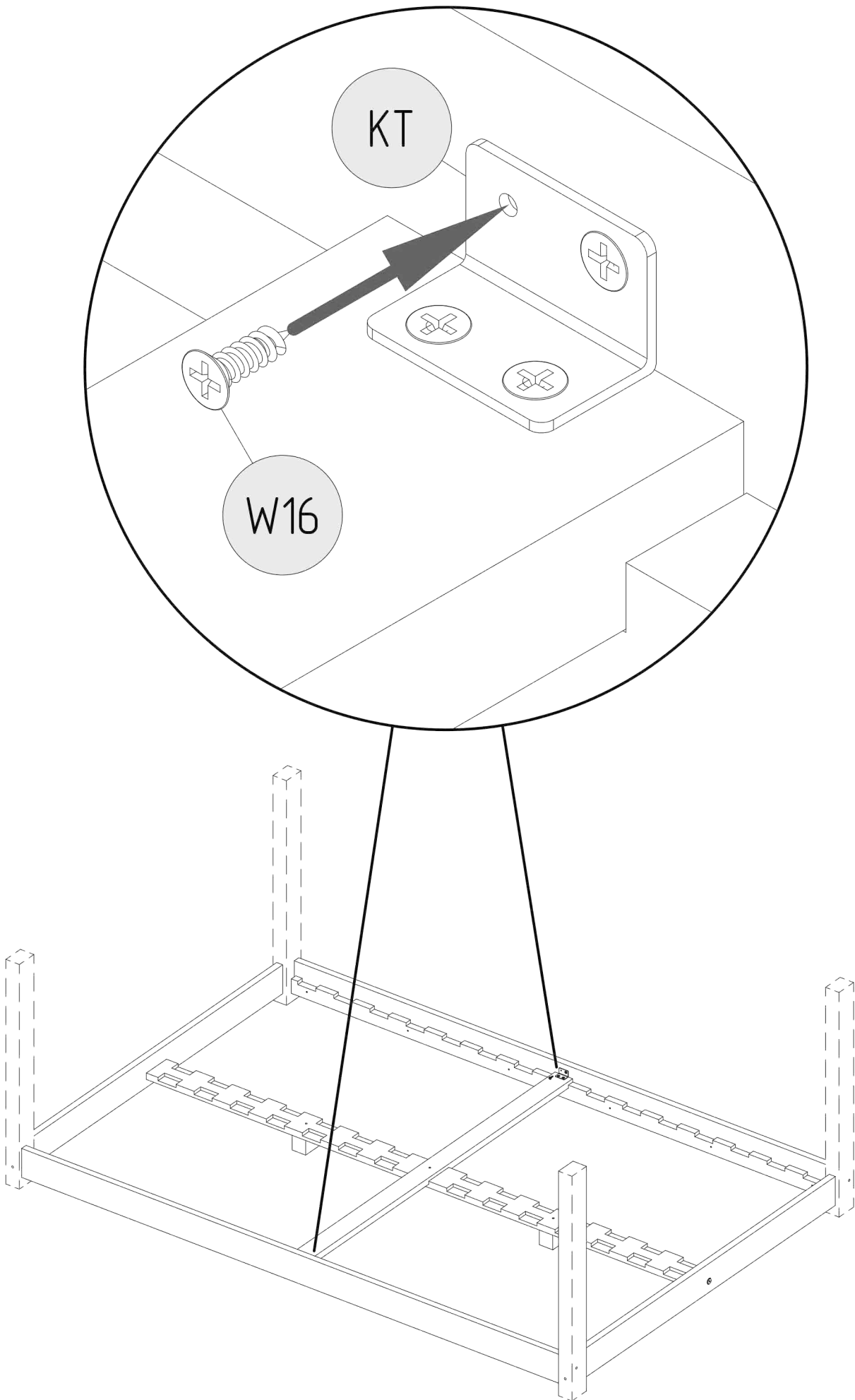


TO PROPERLY SCREW DOWN THE BED LEG, SEE  
THE FIRST PART OF THE MANUAL, PAGE 12

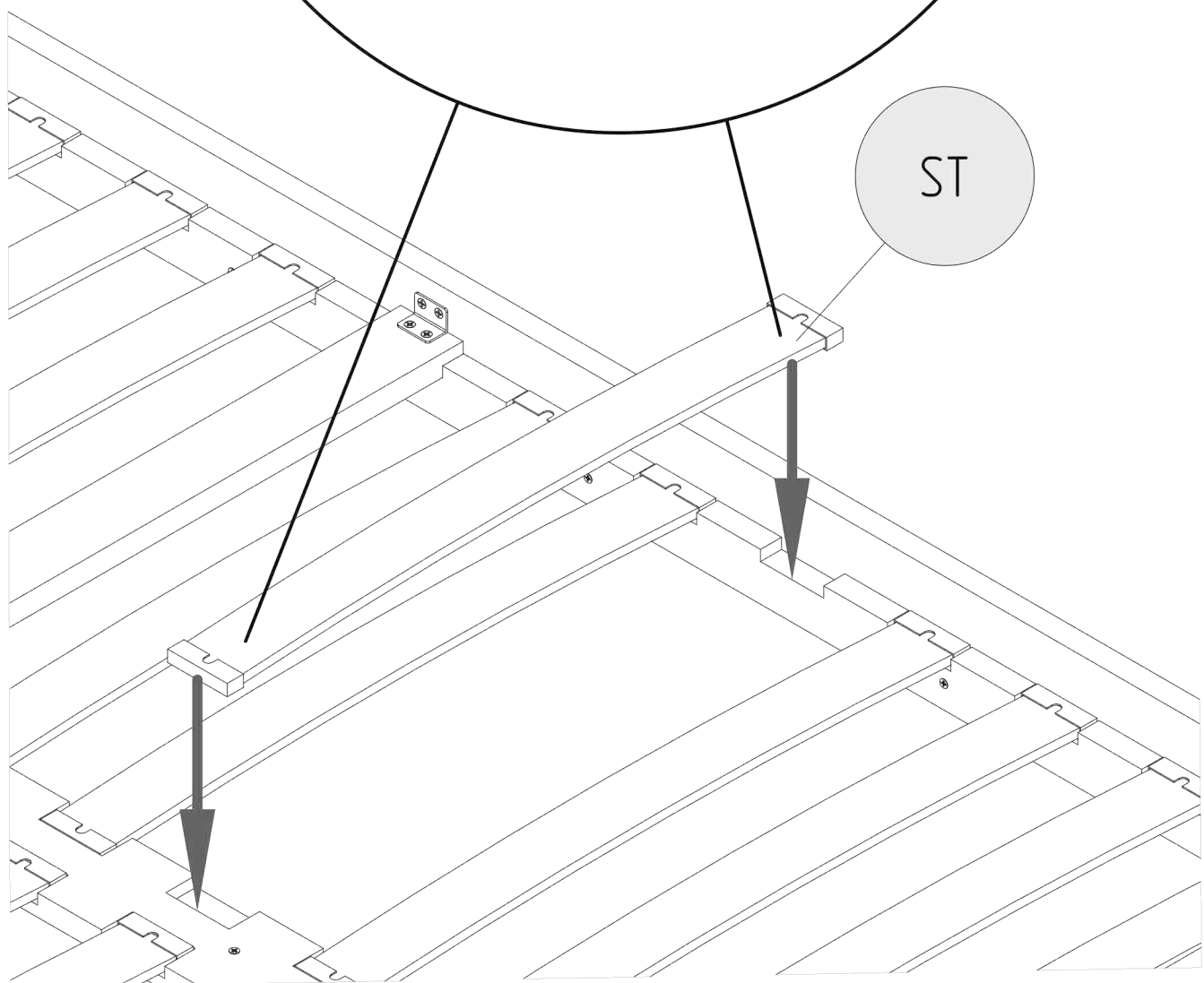
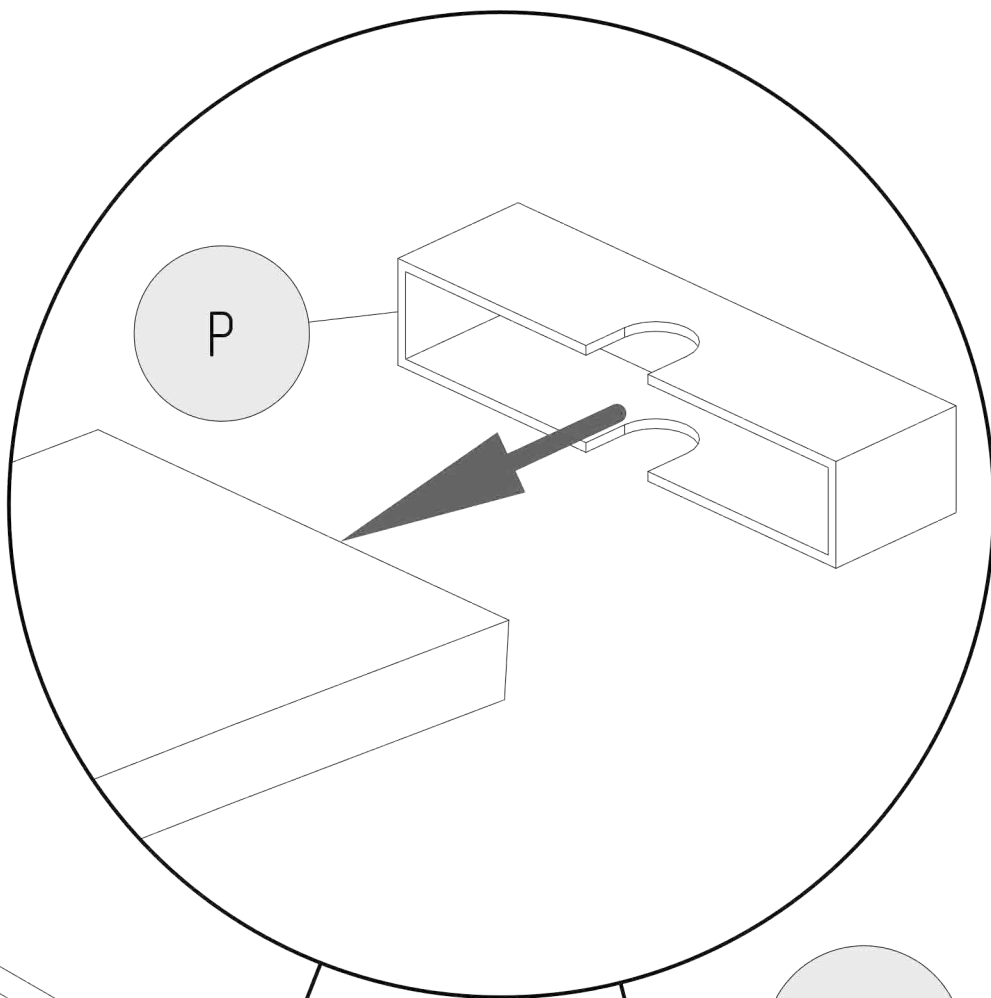
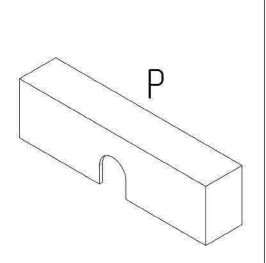


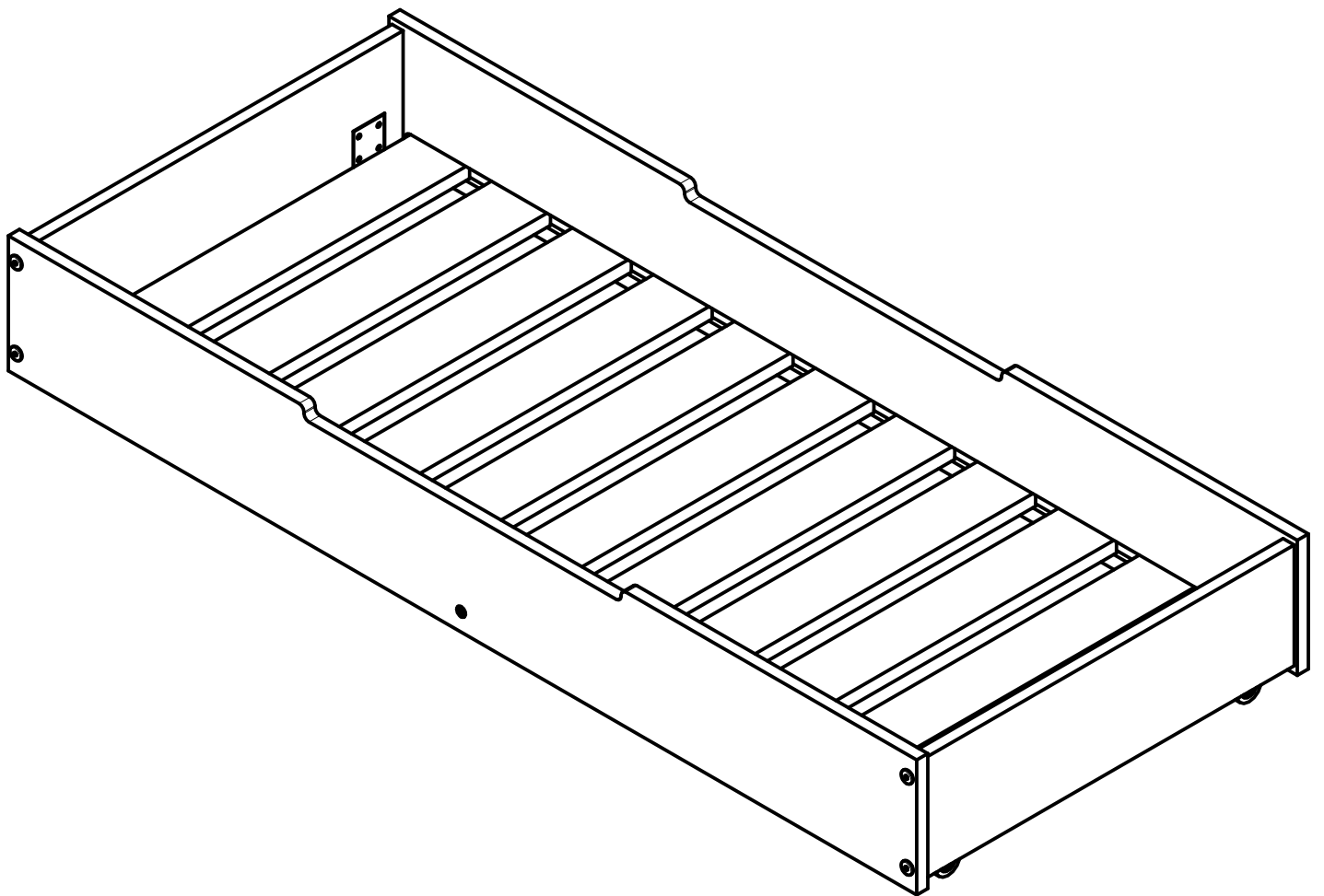
TO INSTALL ALL THE ELEMENTS CORRECTLY,  
PLEASE REFER TO THE FIRST PART OF MANUAL



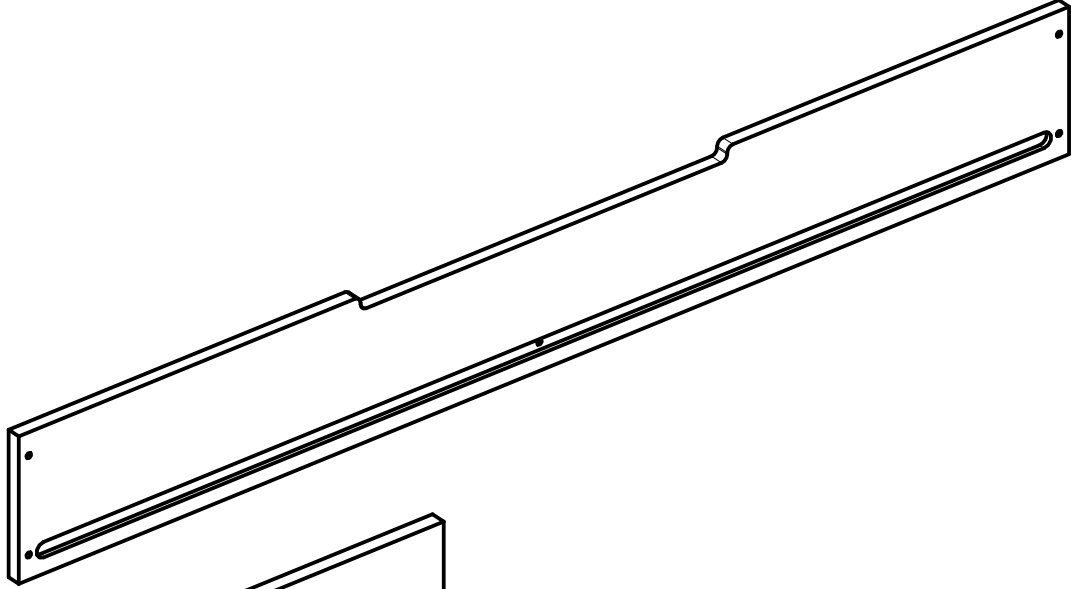








FSZ



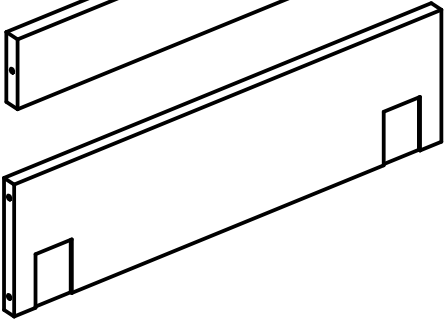
DSZ



DSZ1

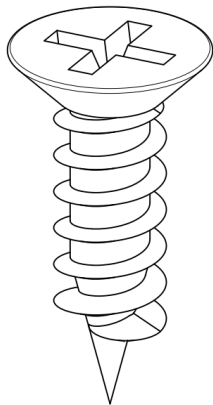


BSZ

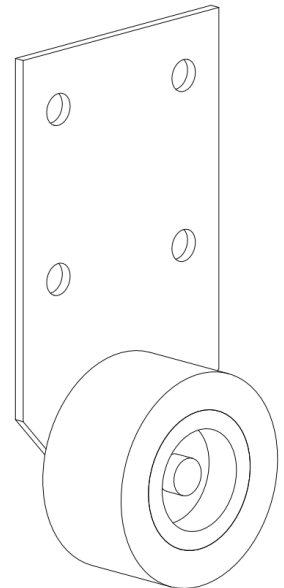
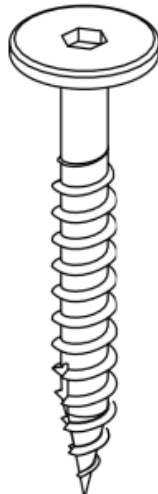


W

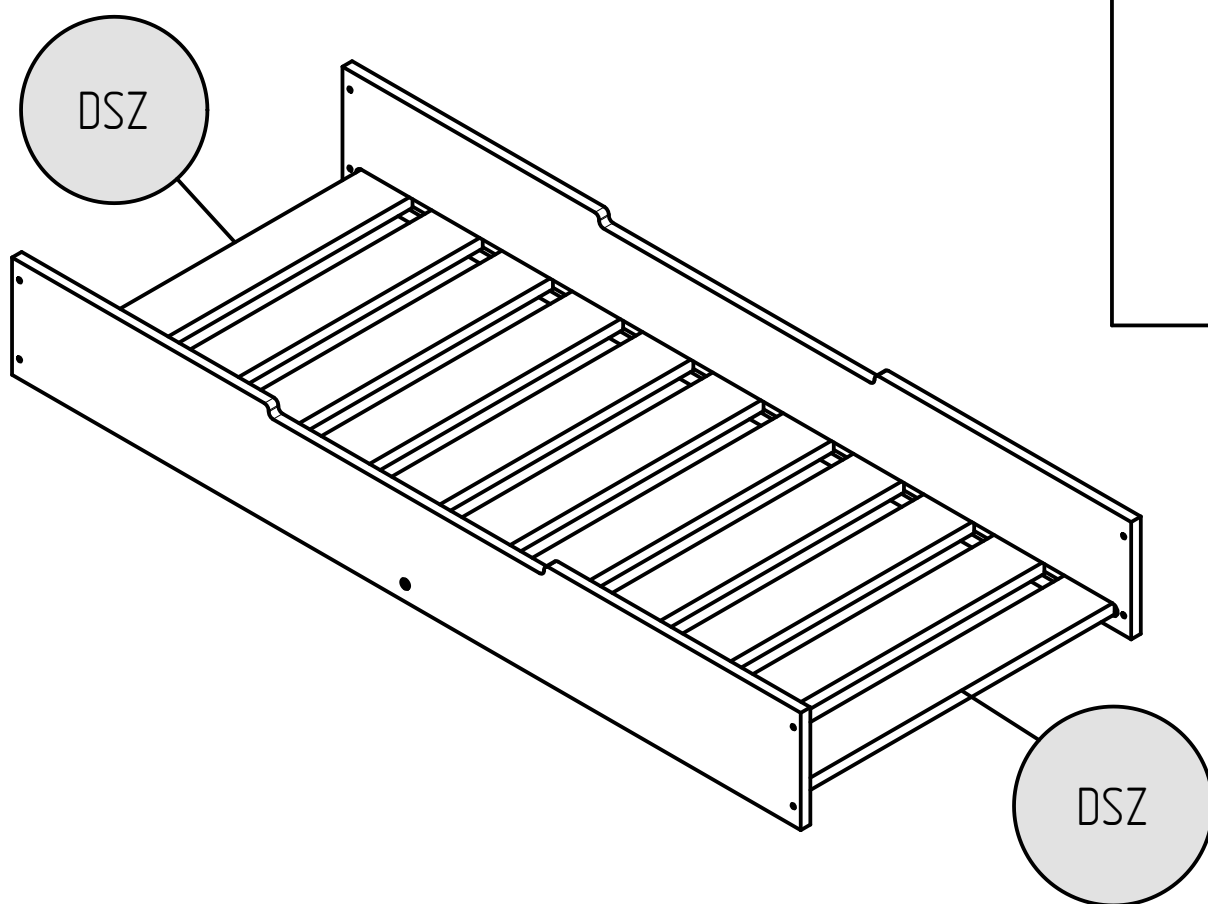
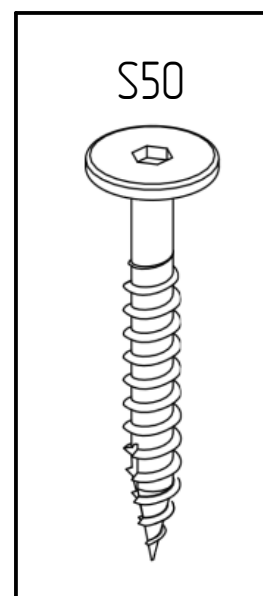
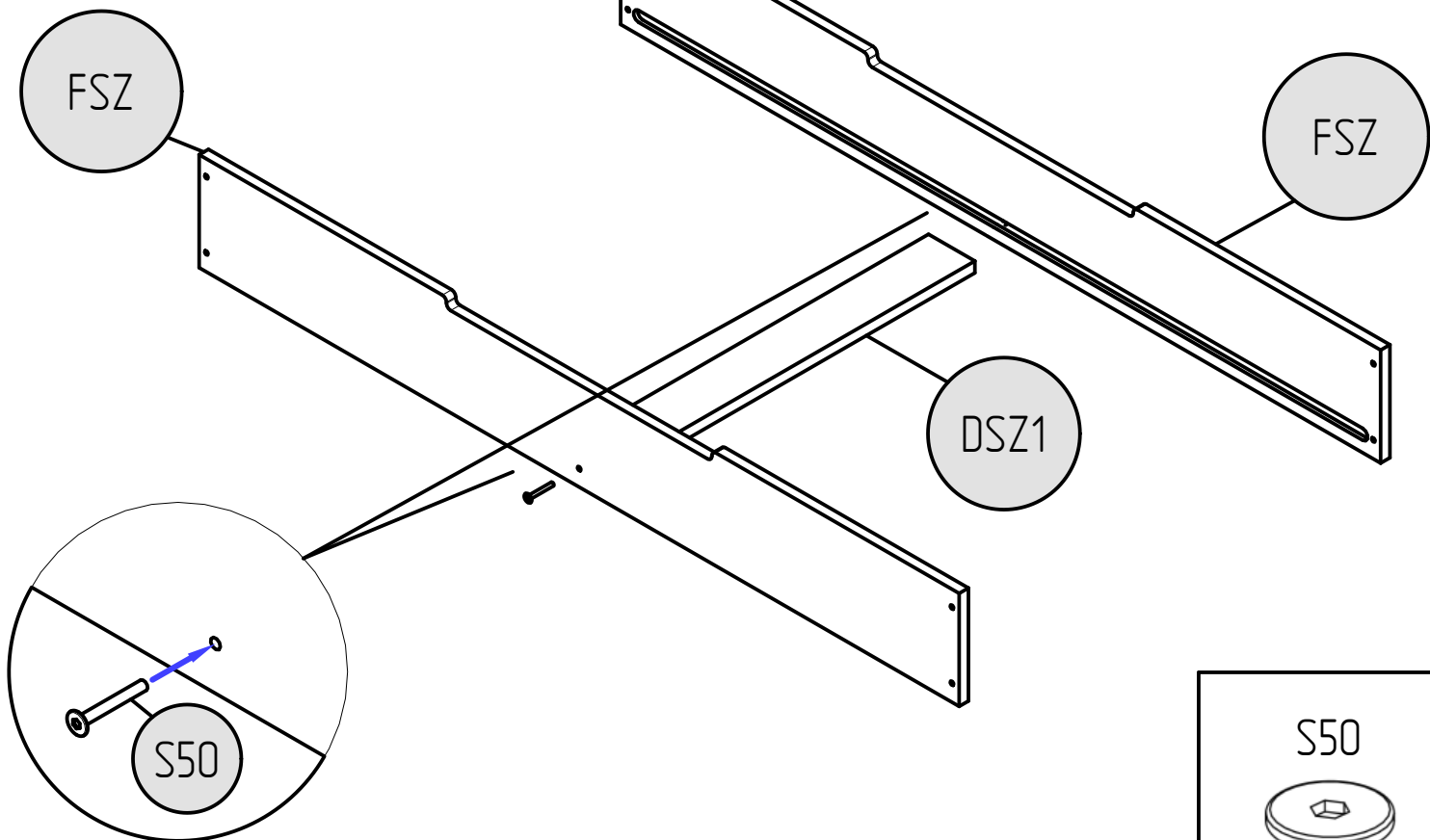
W16

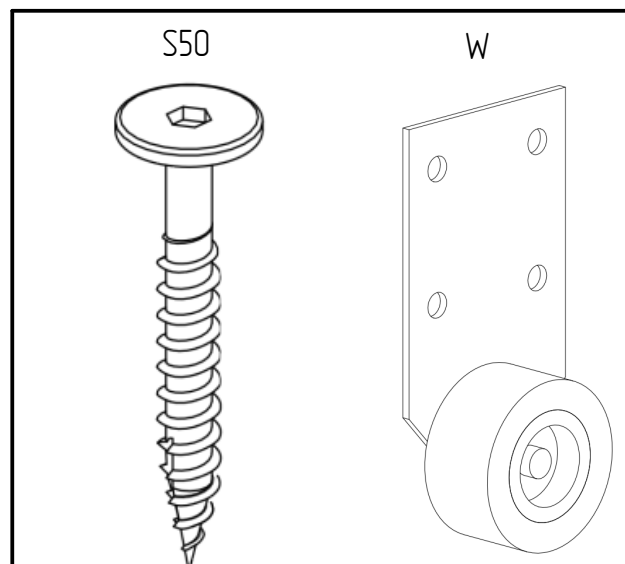
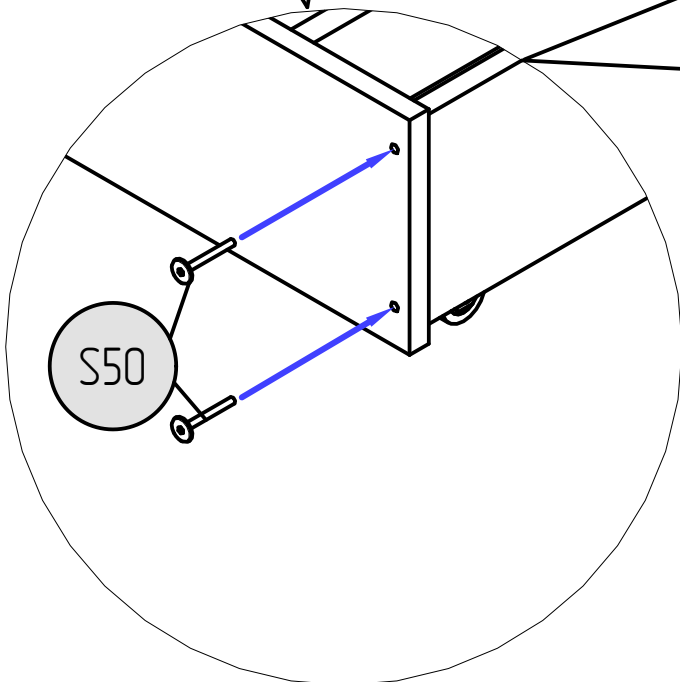
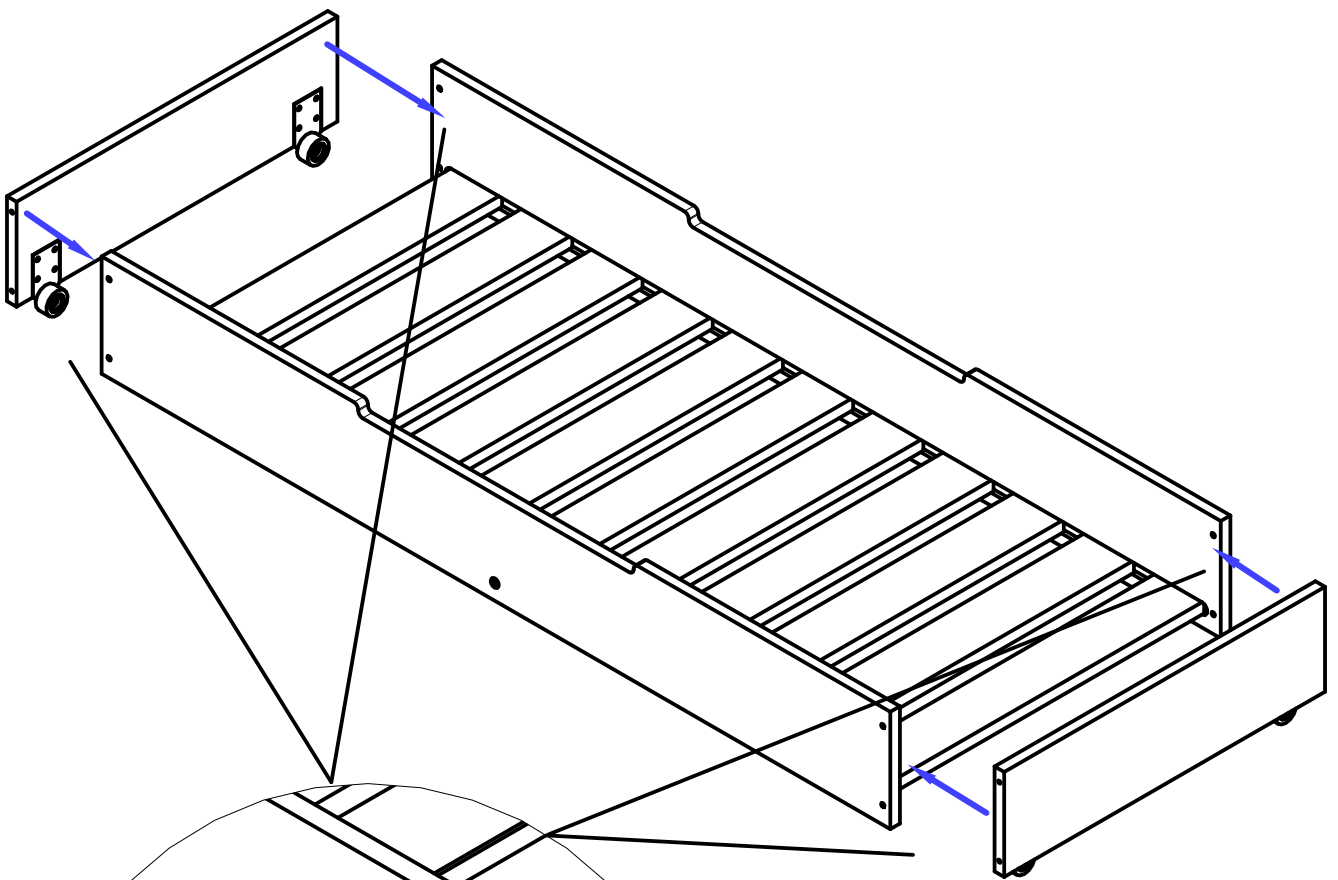
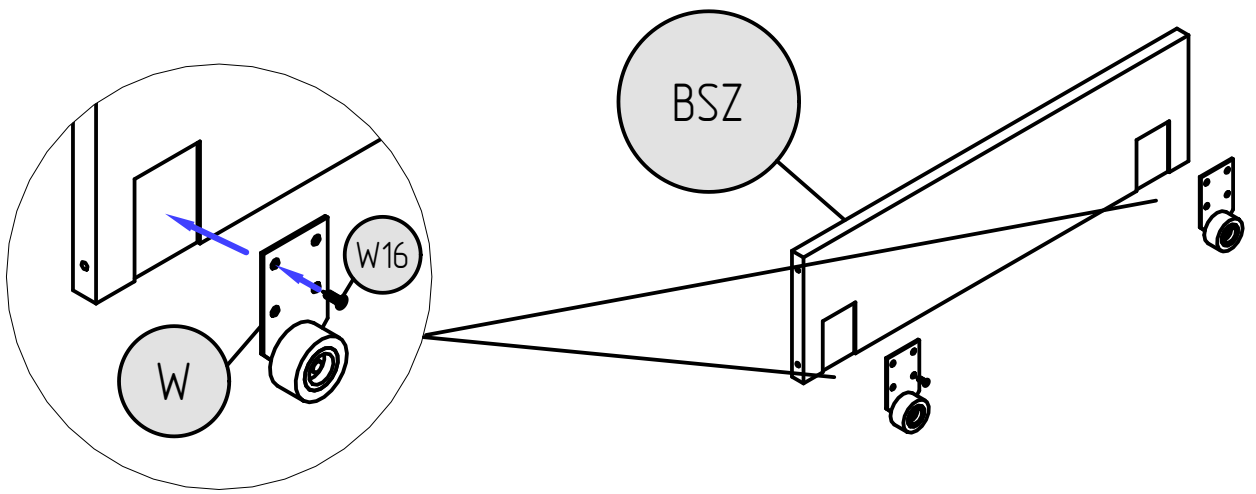


S50



PART	FSZ	DSZ	DSZ1	BSZ	W16	S50	W
QUANTITY	2	10	1	2	16	10	4





## Woohoo!

High-fives all around for a job well done.

We hope your little one is over the moon with their new Petit Puk bed. And why not show off all your hard work? Snap a pic and share it with us on Instagram (tag us @petitpuk) or shoot us an email at info@petitpuk.com. We love seeing our creations come to life in your wonderful homes!

Now, before your kid dives in headfirst, here are a few friendly reminders:

- Stick to mattresses between 8-14 cm thick for the perfect fit.
- Beds are for snoozing, not bouncing
- Keep it safe with just one child on the bunk bed.
- Please, no acrobatics - avoid hanging off any parts of the bed.
- Keep things tidy with a gentle wipe-down of wooden and plastic parts using a dry cloth and mild cleaner.

### **Warranty**

We've got your back with a 2-year warranty on bed parts under normal use. If you ever need a hand or have any questions, don't hesitate to reach out to Team Petit Puk. Just send us a message with your name and order number, along with images of the situation.