

Assembly Manual **PETIT PUK** for **SLUMBER PARTY**



Congratulations with your PETIT PUK BED!

Now it's assembly time. Please make sure to check these elements prior to starting:

- ♥ is everything complete?
- ♥ are all pieces in good shape?
- ♥ good spirits and perhaps a partner in crime in your presence?
- ♥ ready to take a photo of your great work afterwards, to share it with us?
- ♥ ticked all boxes with yes? Ready, steady, gooo!

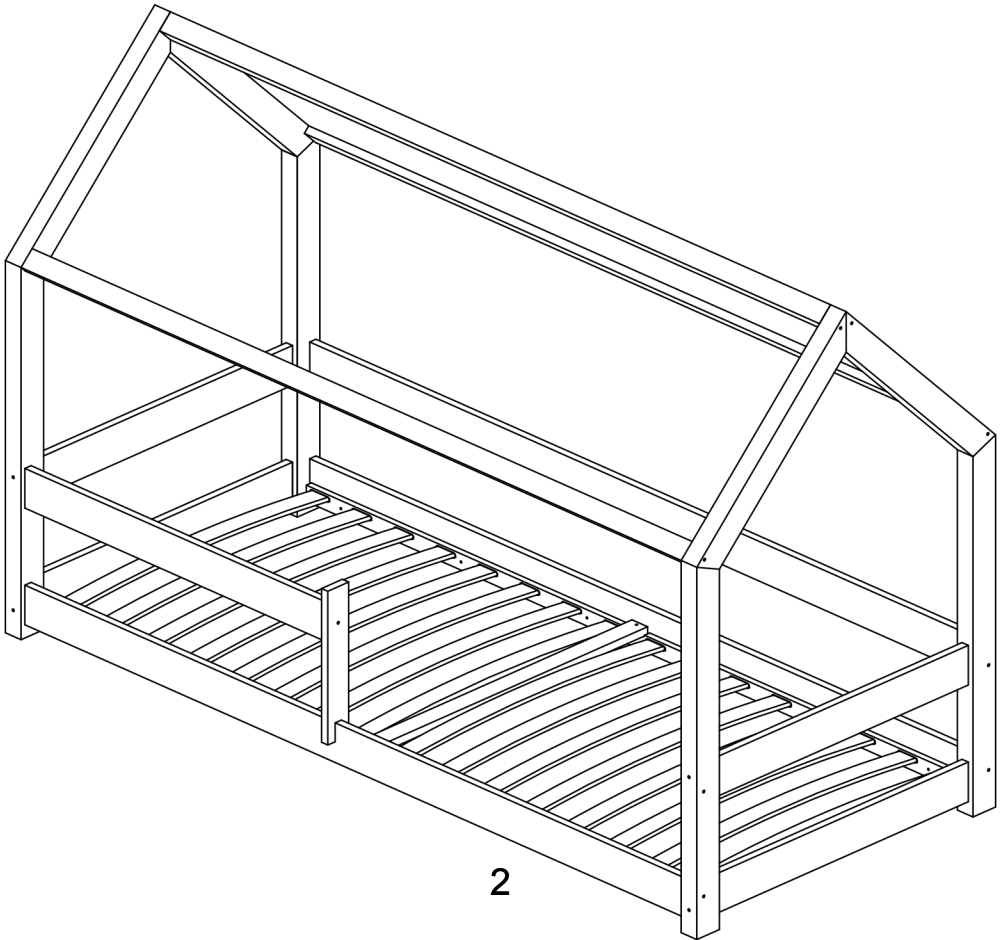
PS. A tip

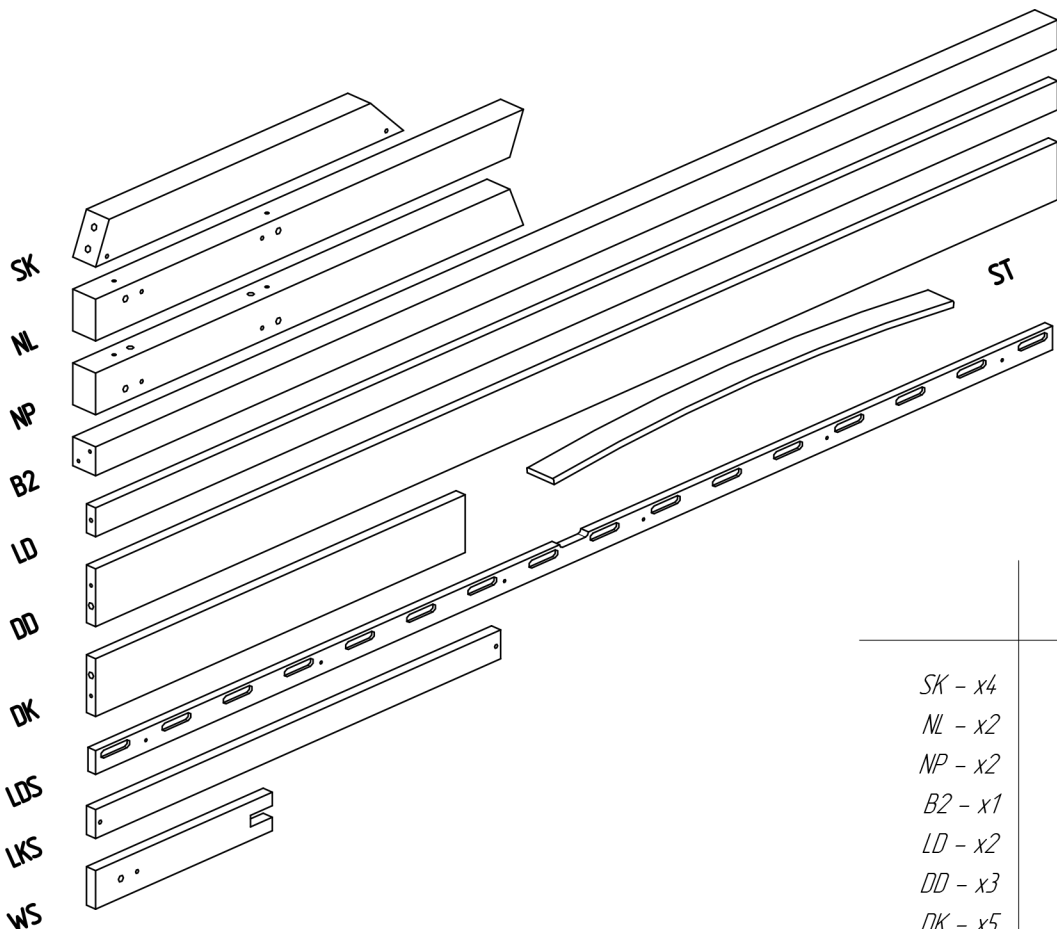
You will find small green glue tubes with EU standards. Just slide a small amount of glue into the holes to receive the wood dowels. Glue is only necessary at the level of beveled wood stud assemblies for perfect stability. It is not necessary to put glue on the bed base which would prevent you from dismantling the bed afterwards.

**PETIT
♥ PUK ♥**

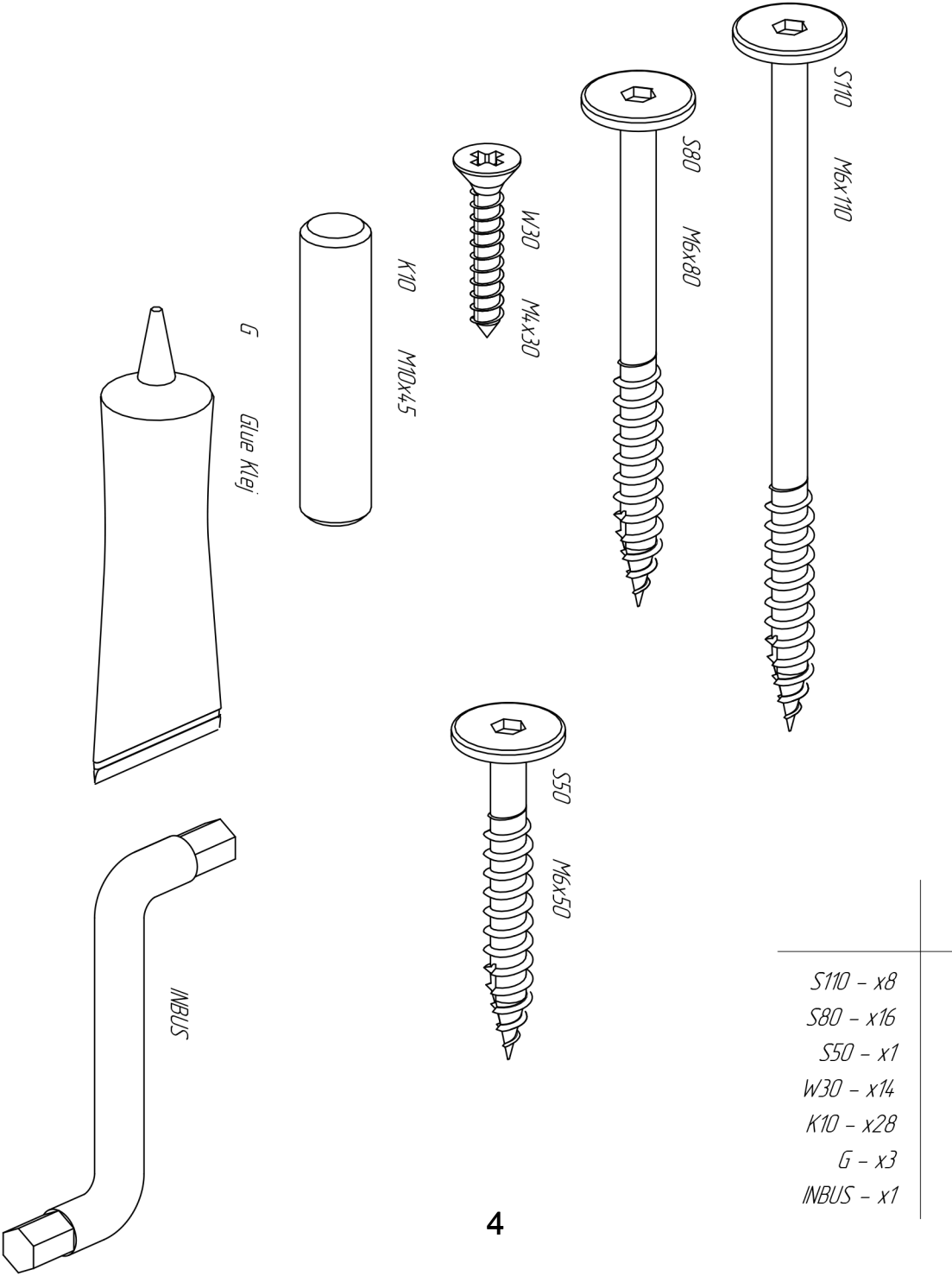
www.petitpuk.com f [petitpuk](#)  [petitpuk](#)

60x120 70x140 70x160
80x140 80x160 80x180
80x190 80x200
90x140 90x160 90x180
90x190 90x200



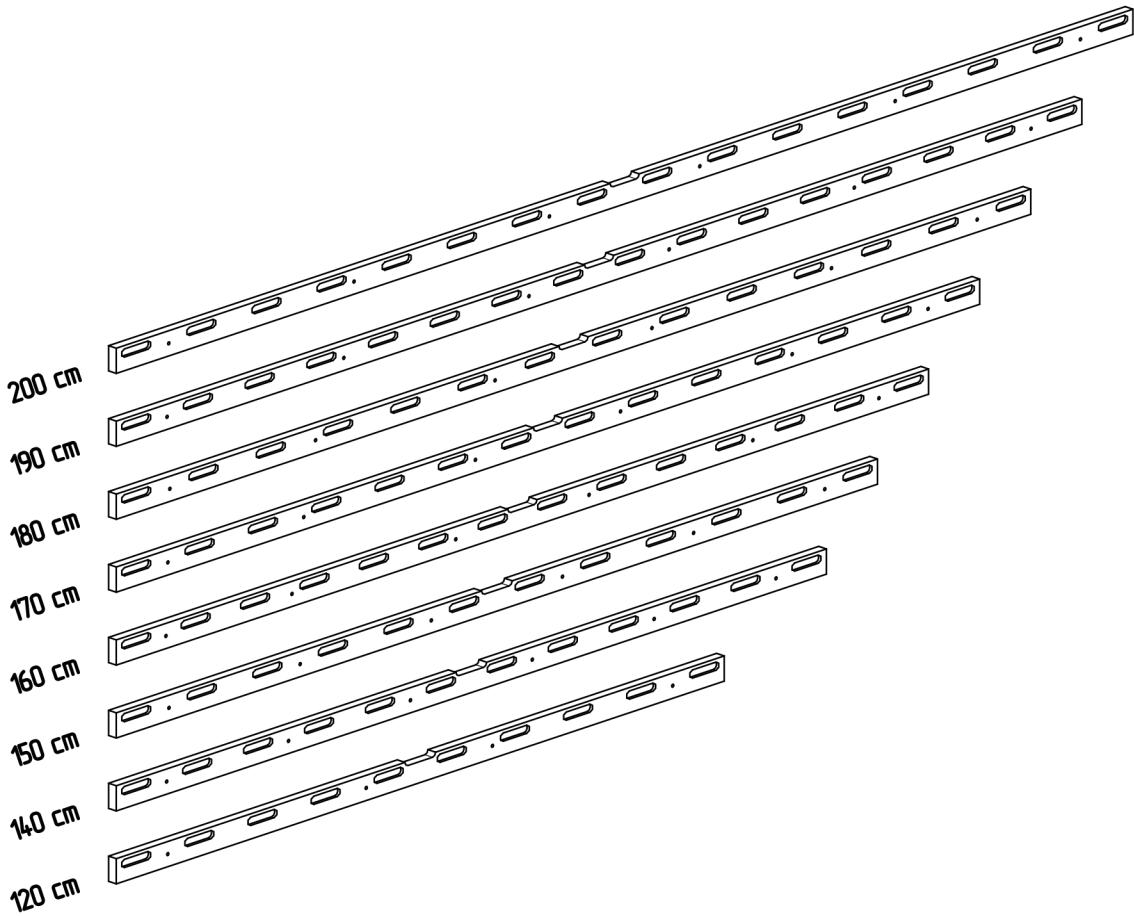


- SK - x4
- NL - x2
- NP - x2
- B2 - x1
- LD - x2
- DD - x3
- DK - x5
- WS - x1
- LDS - x2
- LKS - x1
- ST - x10-16

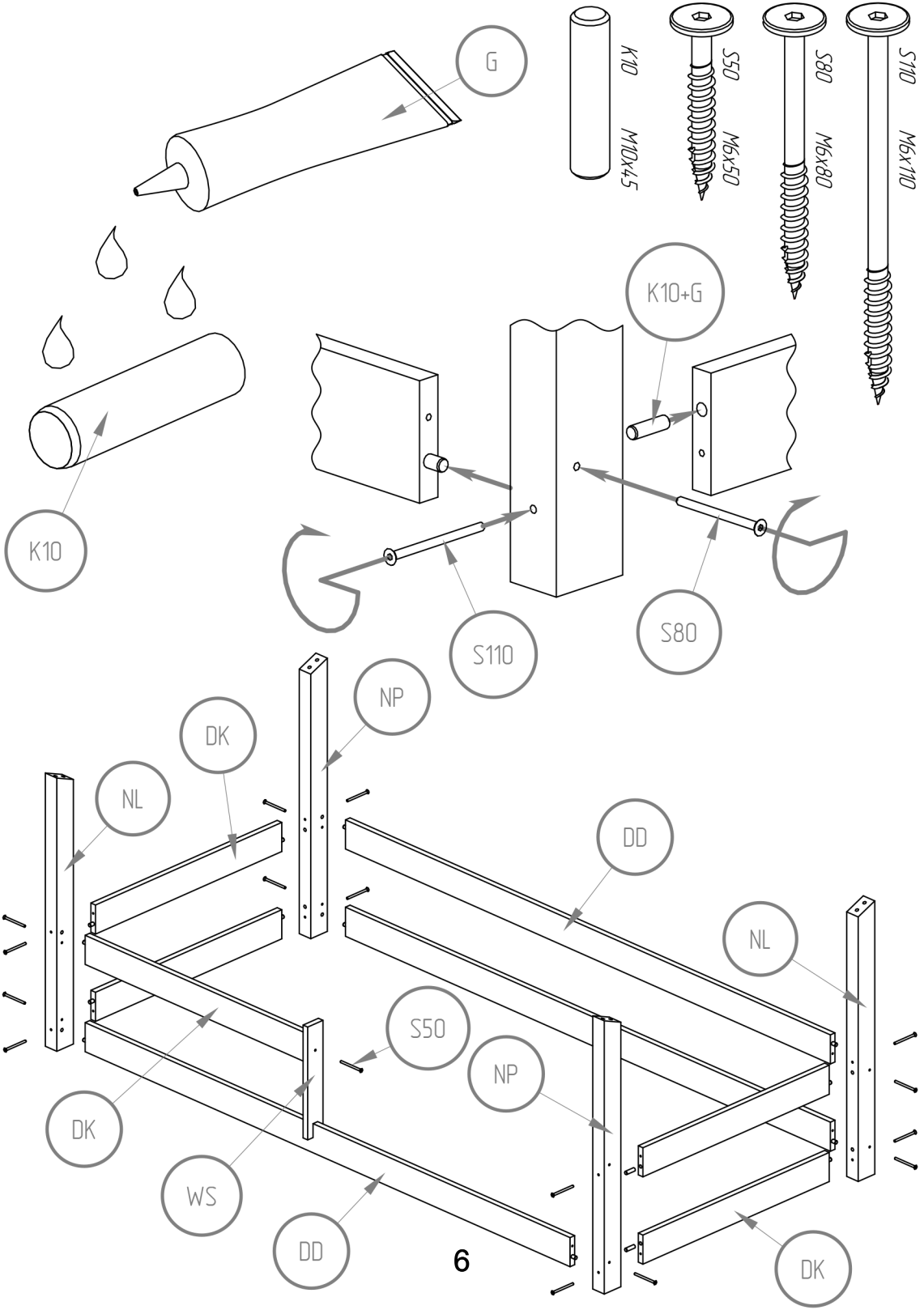


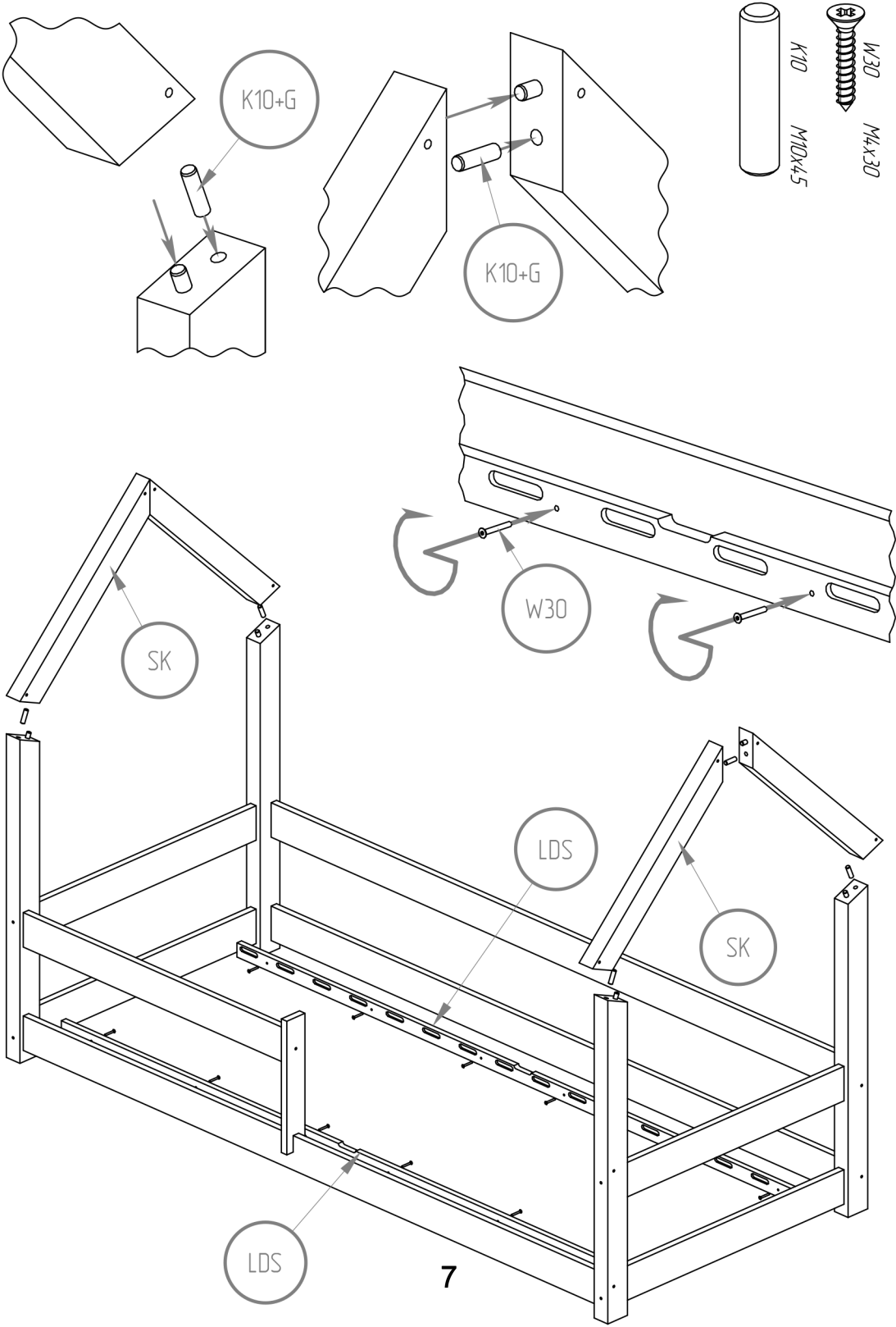
- S110 - x8
- S80 - x16
- S50 - x1
- W30 - x14
- K10 - x28
- G - x3
- INBUS - x1

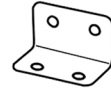
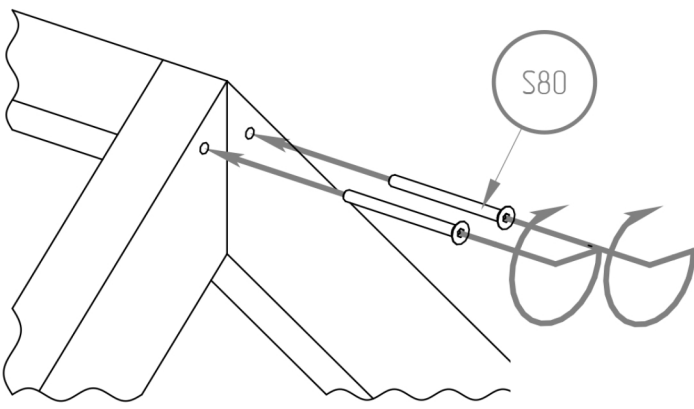
Quantity of holes for mattress bar
and number of ST part.



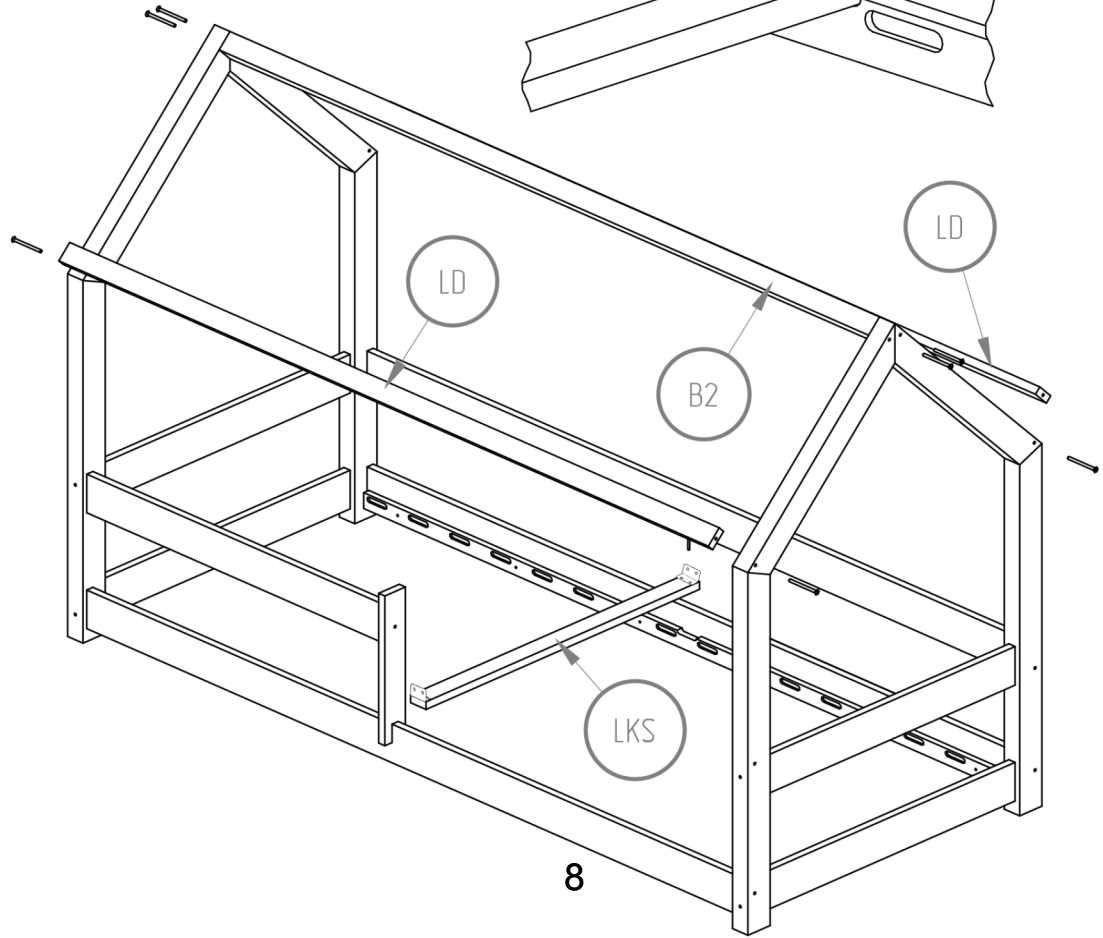
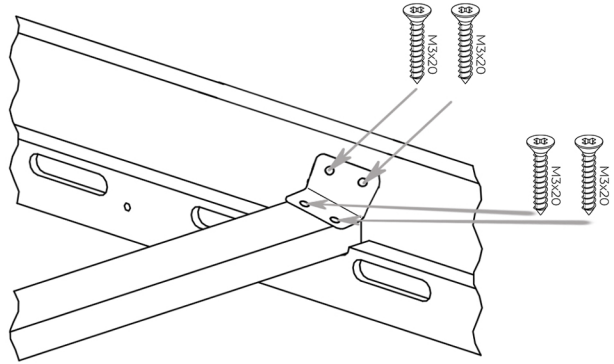
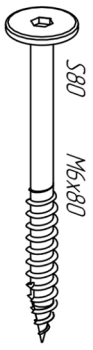
<i>Length</i>	QT
<i>200 cm</i>	16
<i>190 cm</i>	16
<i>180 cm</i>	14
<i>170 cm</i>	14
<i>160 cm</i>	14
<i>150 cm</i>	12
<i>140 cm</i>	12
<i>120 cm</i>	10

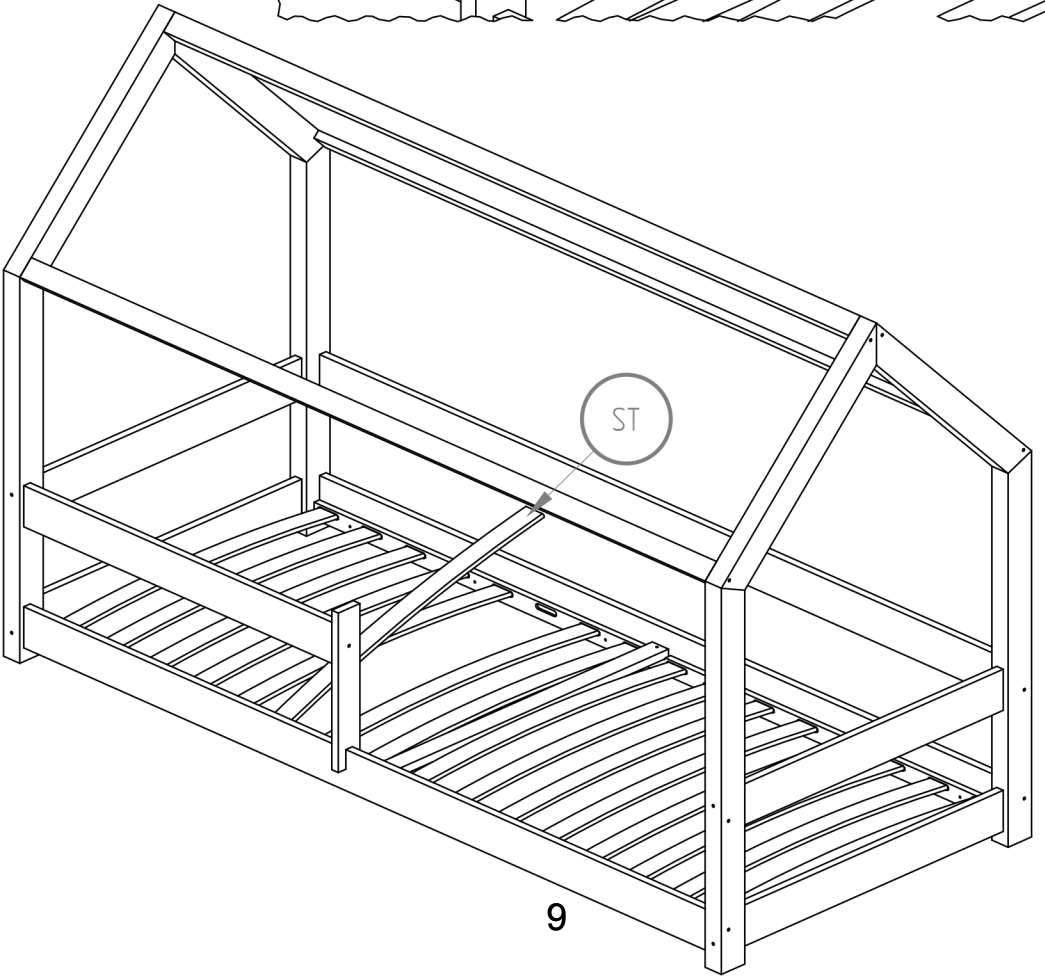
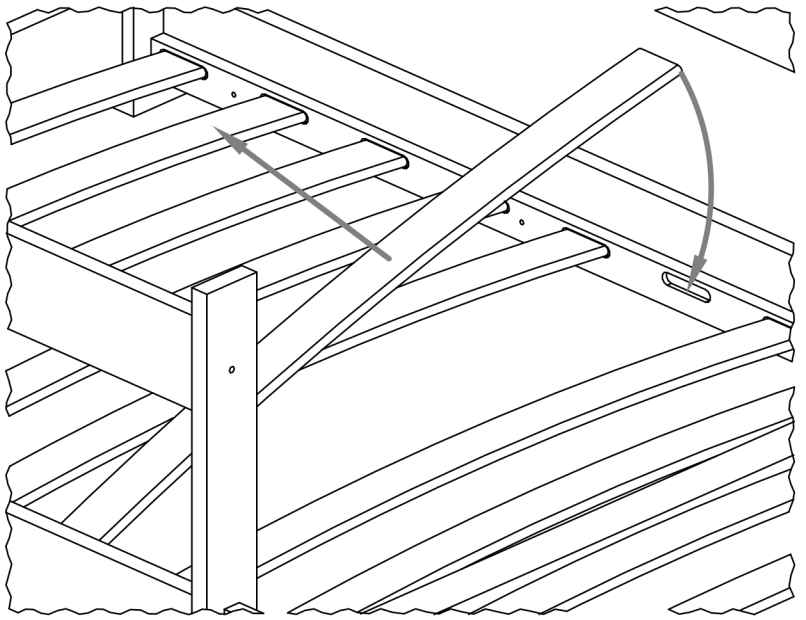






ANGLE BAR





DRAWER

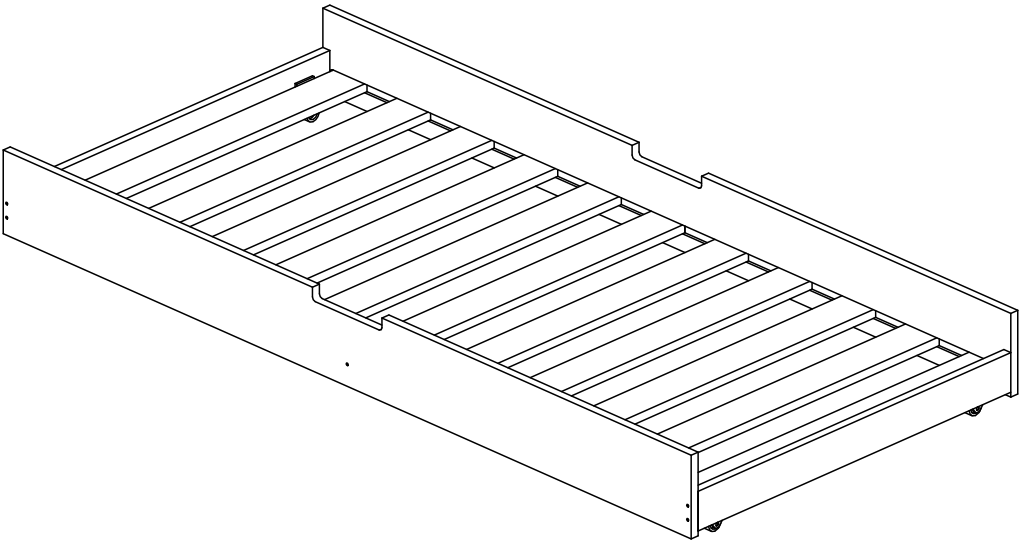
60x120 70x140 70x160

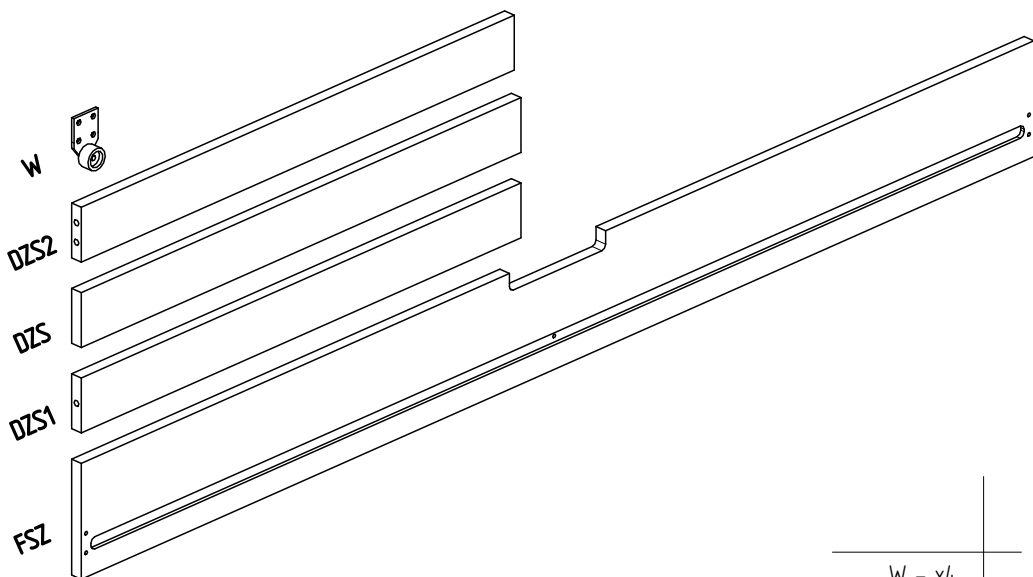
80x140 80x160 80x180

80x190 80x200

90x140 90x160 90x180

90x190 90x200



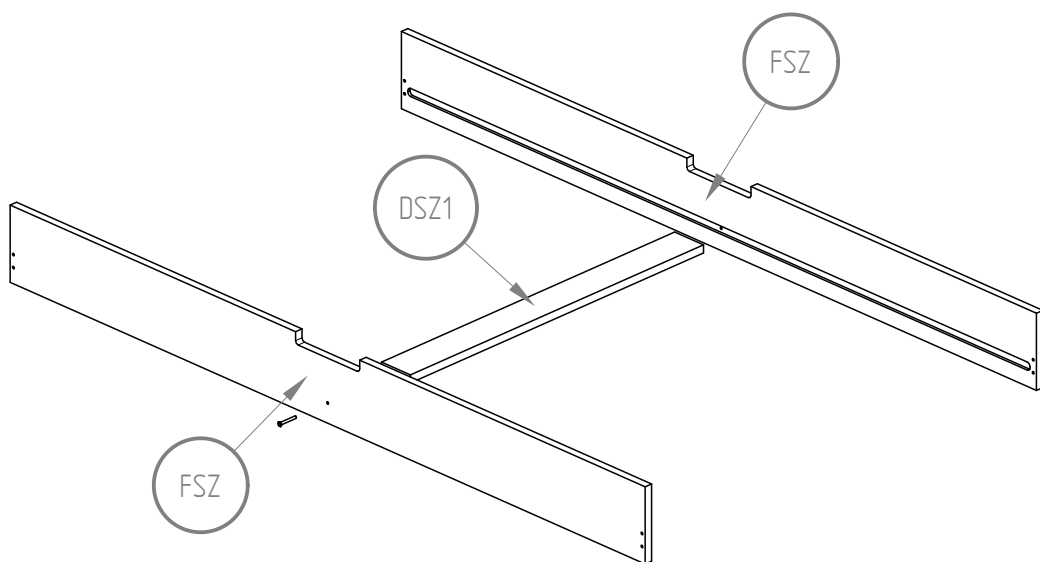
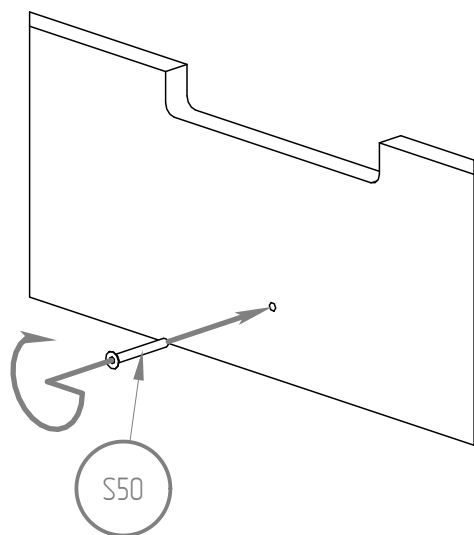


W - x4
DZS2 - x2
DSZ - x10
DSZ1 - x1
FSZ - x2

DSZ1 - x1

FSZ - x2

S50 - x2

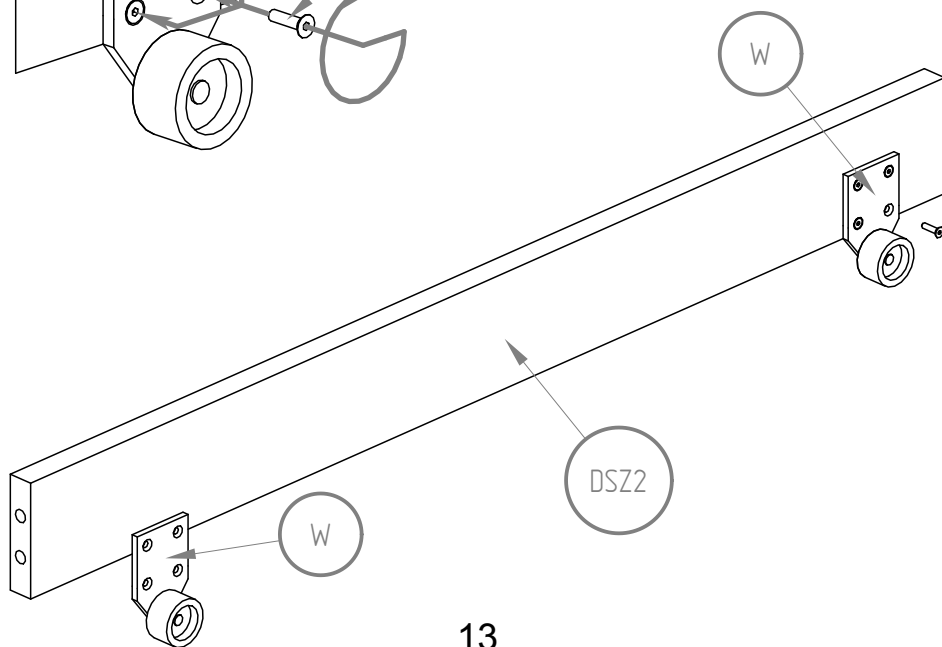
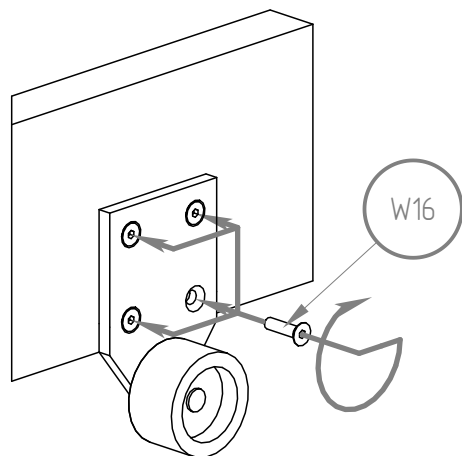
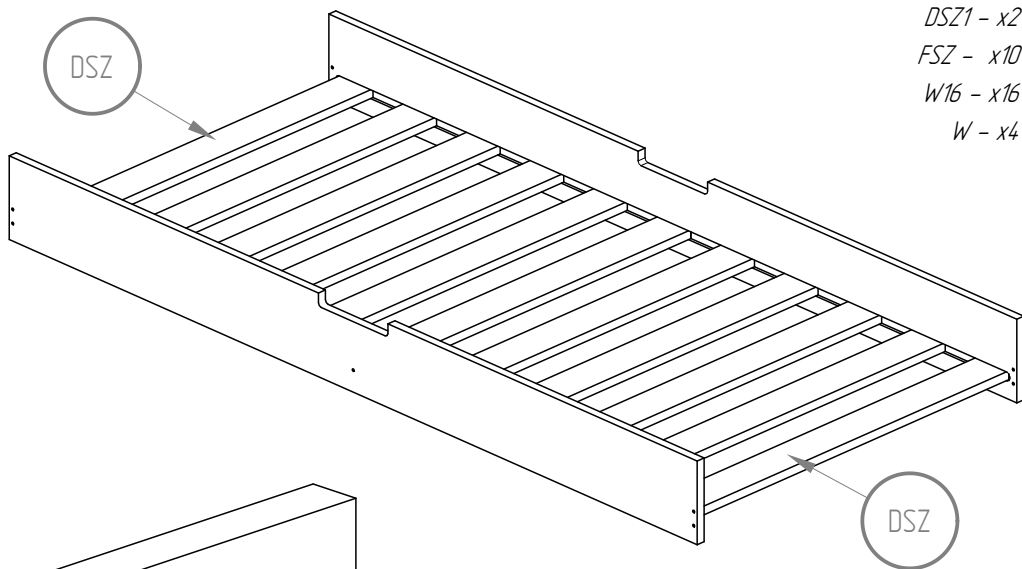


DSZ1 - x2

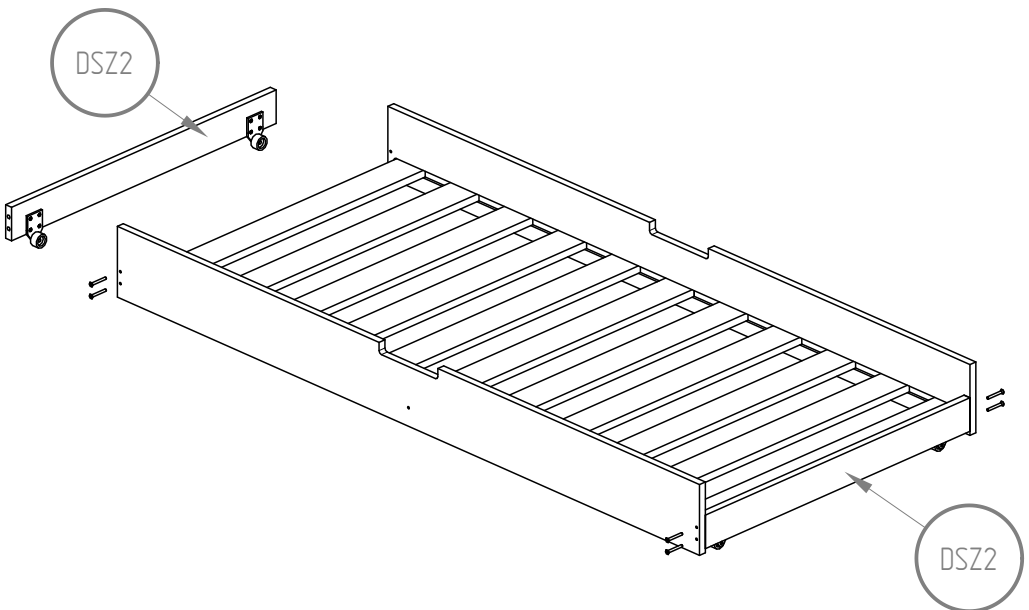
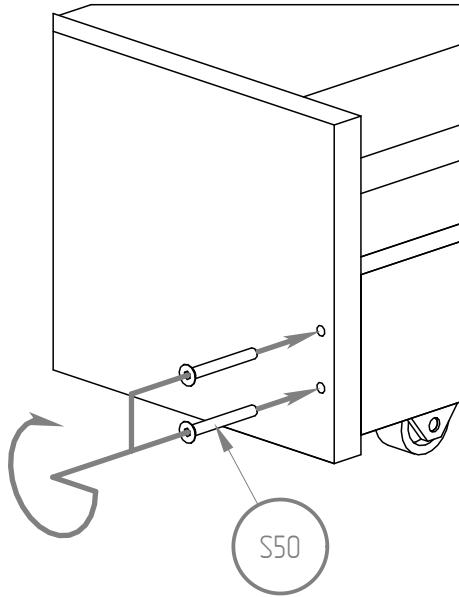
FSZ - x10

W16 - x16

W - x4



DSZ2 - x2
S50 - x8



Assembly Manual **PETIT PUK**



Yeaah, great job!!

We hope you are happy with the results too! Don't forget to share a photo with us, it makes us incredibly happy to see the results in our mailbox or on instagram with #petitpuk

Please remember this:

- ♥ Use only mattress with thickness is 8-14 cm height.
- ♥ Beds are for sleeping, not for jumping
- ♥ Prohibit more than one person on the bunkbed.
Do not hang on construction components.
- ♥ Wooden and plastic parts should be cleaned with a dry cloth and ordinary, mild care and cleaning of raw wood
- ♥ Bed parts have a warrantee for 2 years under normal use.
If necessary, contact **PETIT PUK** indicating your name and order number, accompanied by photos's of the situation.

**PETIT
♥ PUK ♥**

www.petitpuk.com f [petitpuk](#)  [petitpuk](#)