

Assembly Manual **PETIT PUK** for SLOAN



Congratulations with your PETIT PUK BED!

Now it's assembly time. Please make sure to check these elements prior to starting:

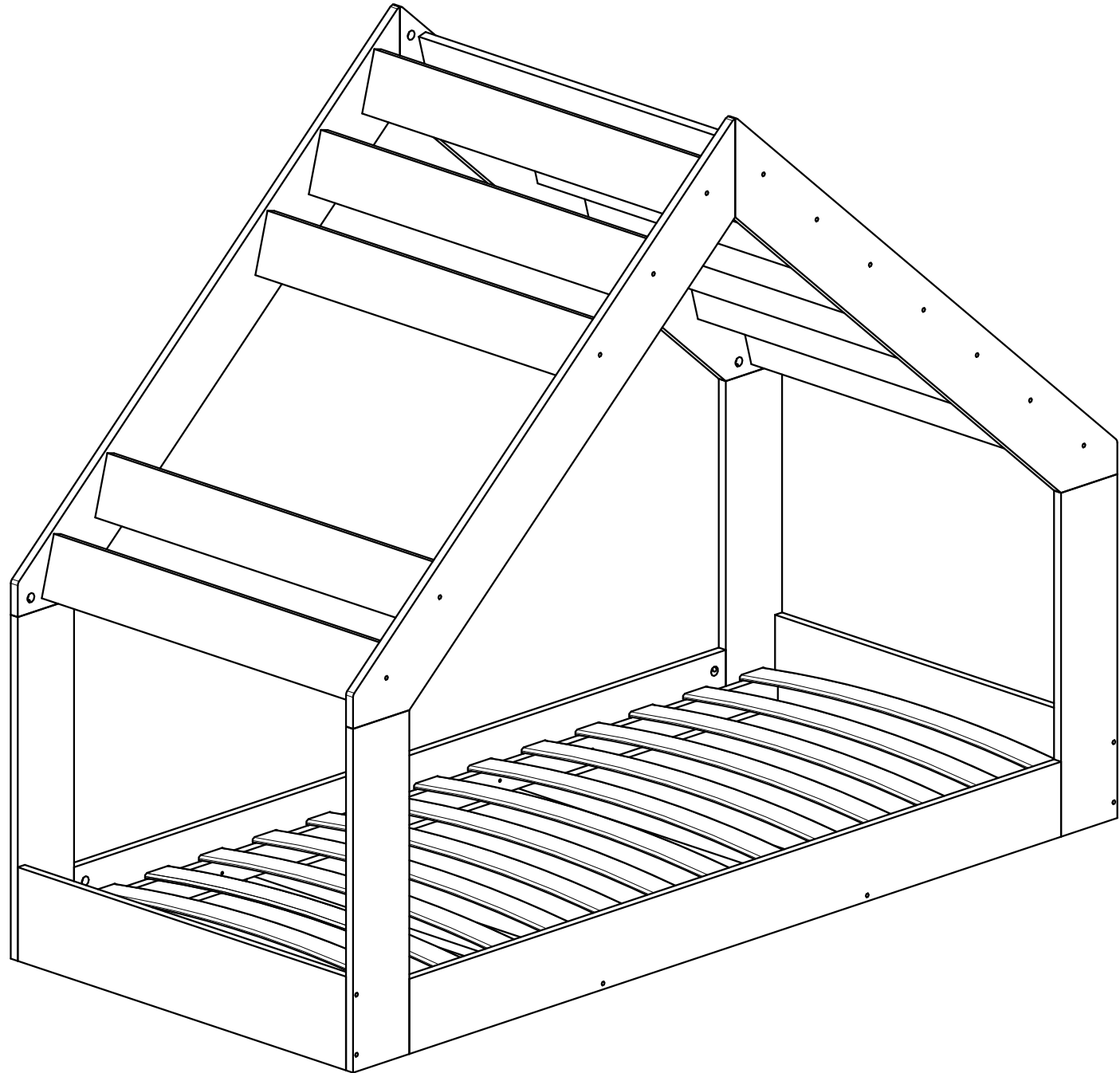
- ♥ is everything complete?
- ♥ are all pieces in good shape?
- ♥ good spirits and perhaps a partner in crime in your presence?
- ♥ ready to take a photo of your great work afterwards, to share it with us?
- ♥ ticked all boxes with yes? Ready, steady, gooo!

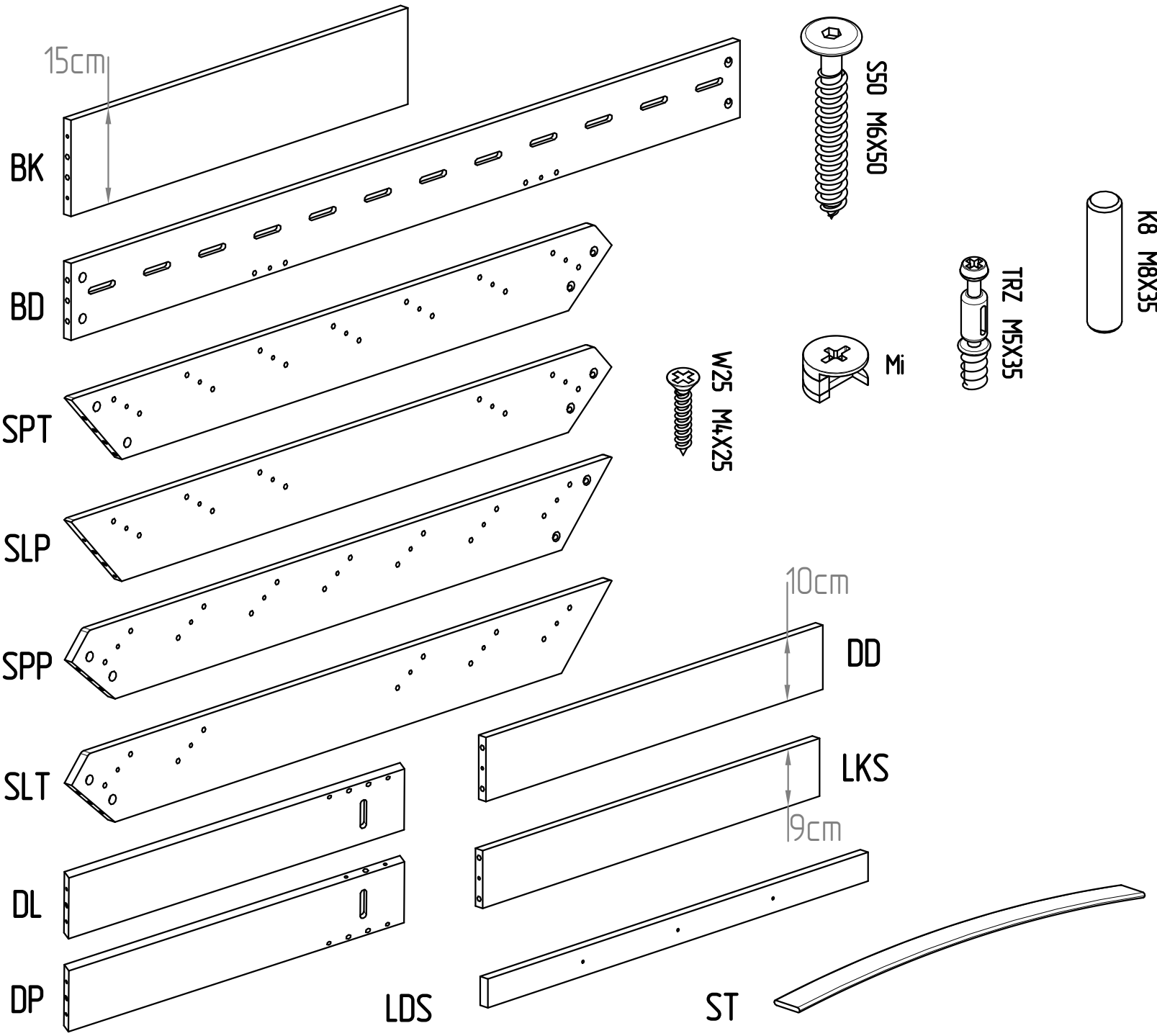
PS. A tip

You will find small green glue tubes with EU standards. Just slide a small amount of glue into the holes to receive the wood dowels. Glue is only necessary at the level of beveled wood stud assemblies for perfect stability. It is not necessary to put glue on the bed base which would prevent you from dismantling the bed afterwards.

**PETIT
♥ PUK ♥**

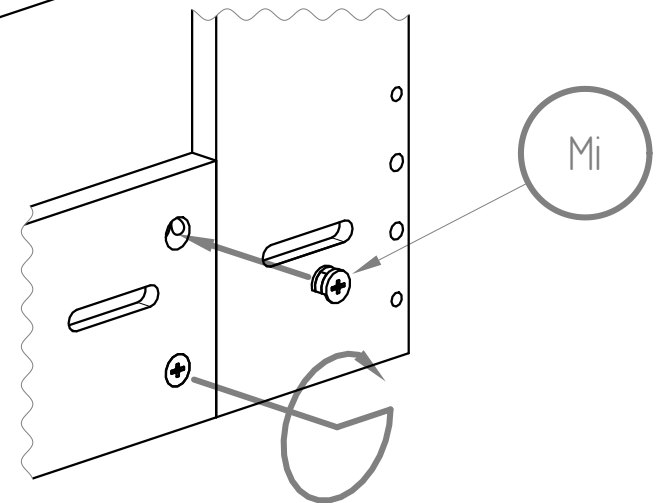
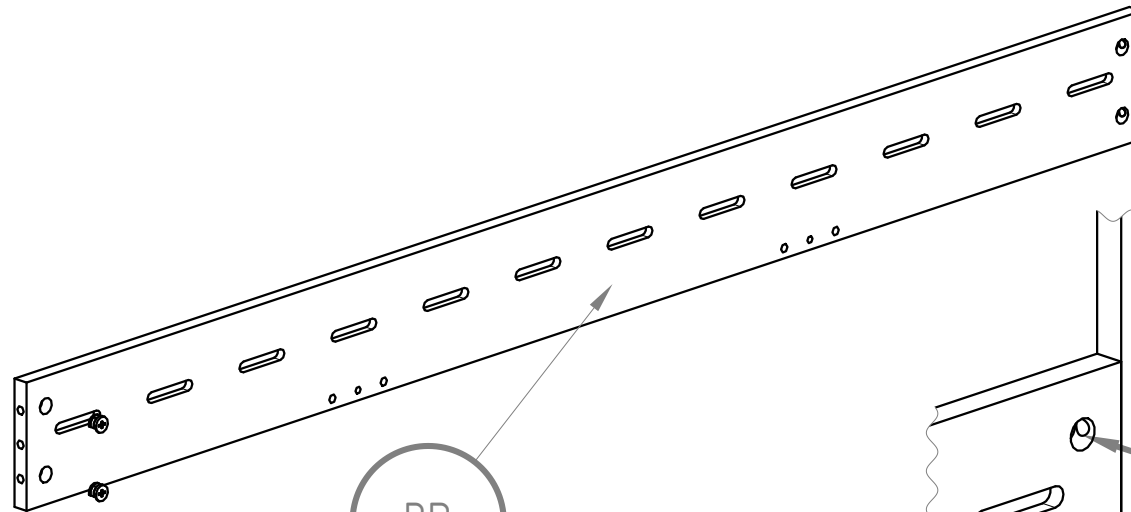
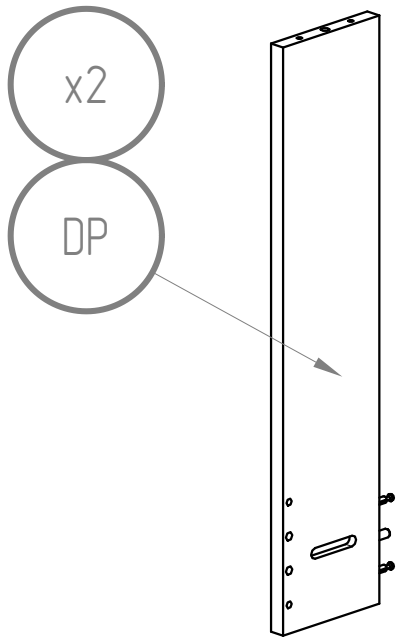
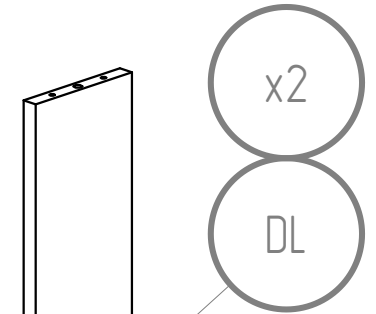
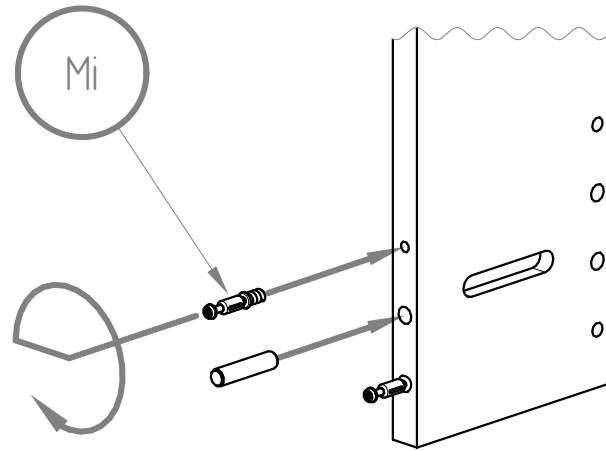
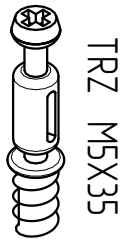
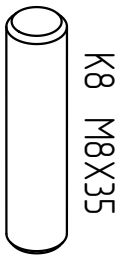
www.petitpuk.com f [petitpuk](#)  [petitpuk](#)





SCREWS	
S50	x36
W25	x12
Mi	x20
TRZ	x20
K8	x76

BK	x2
BD	x2
SPT	x1
SLP	x1
SPP	x1
SLT	x1
DL	x2
DP	x2
DD	x12
LKS	x2
LDS	x4
ST	x12-16





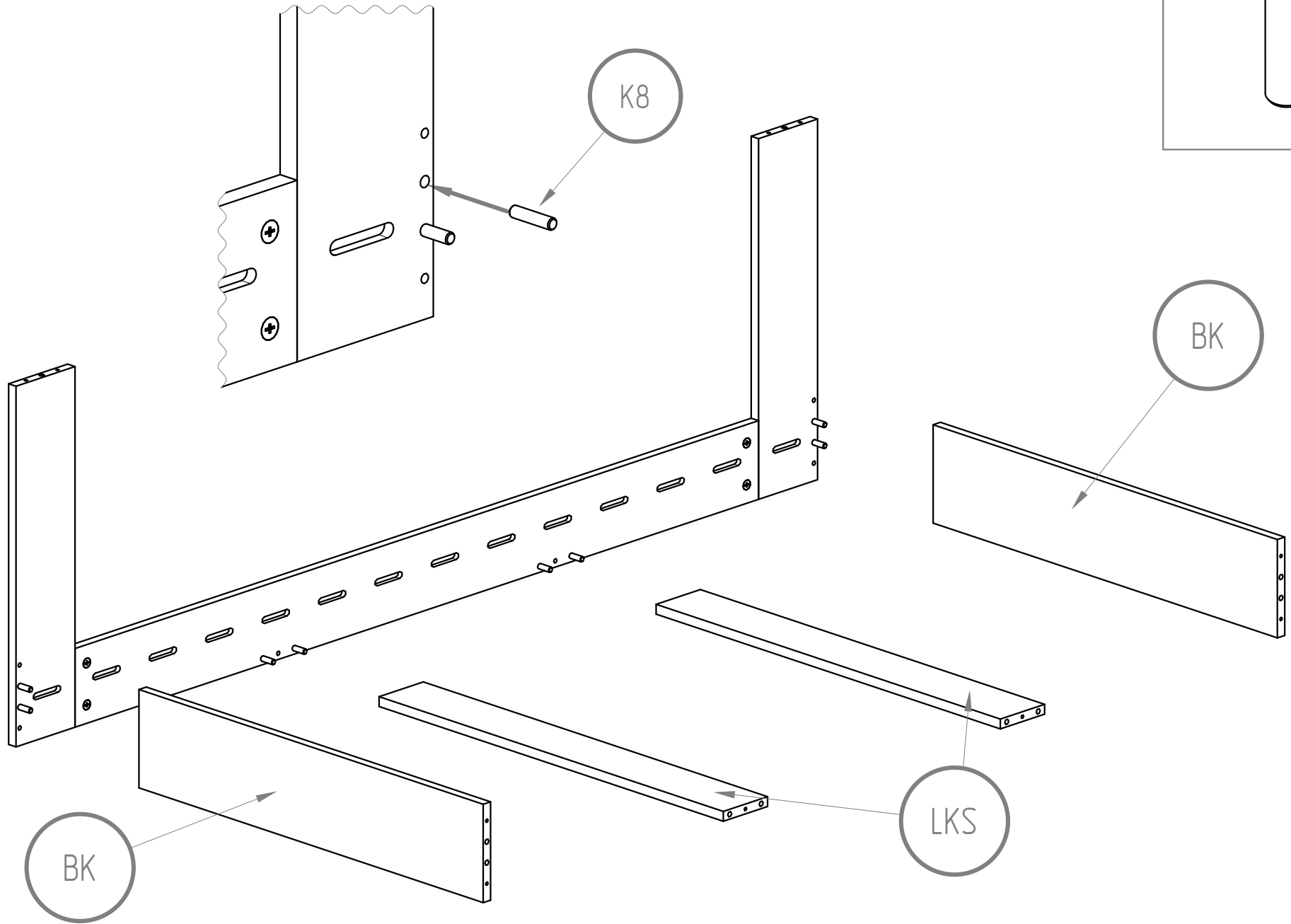
K8 M8X35

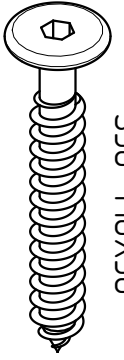
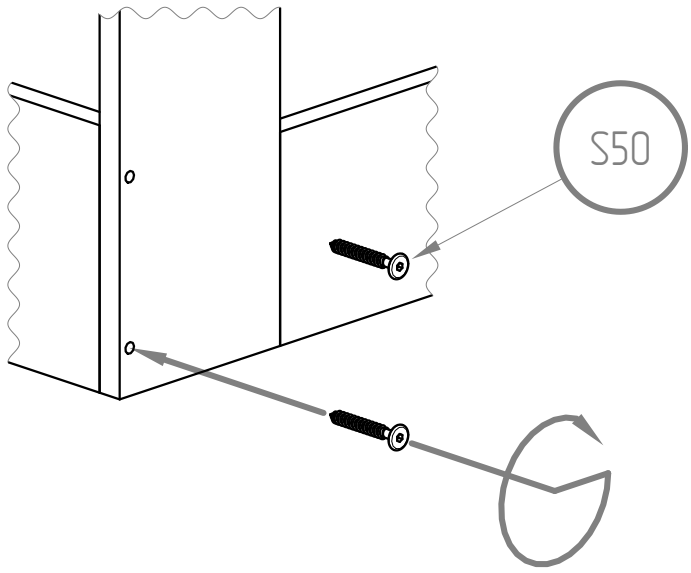
K8

BK

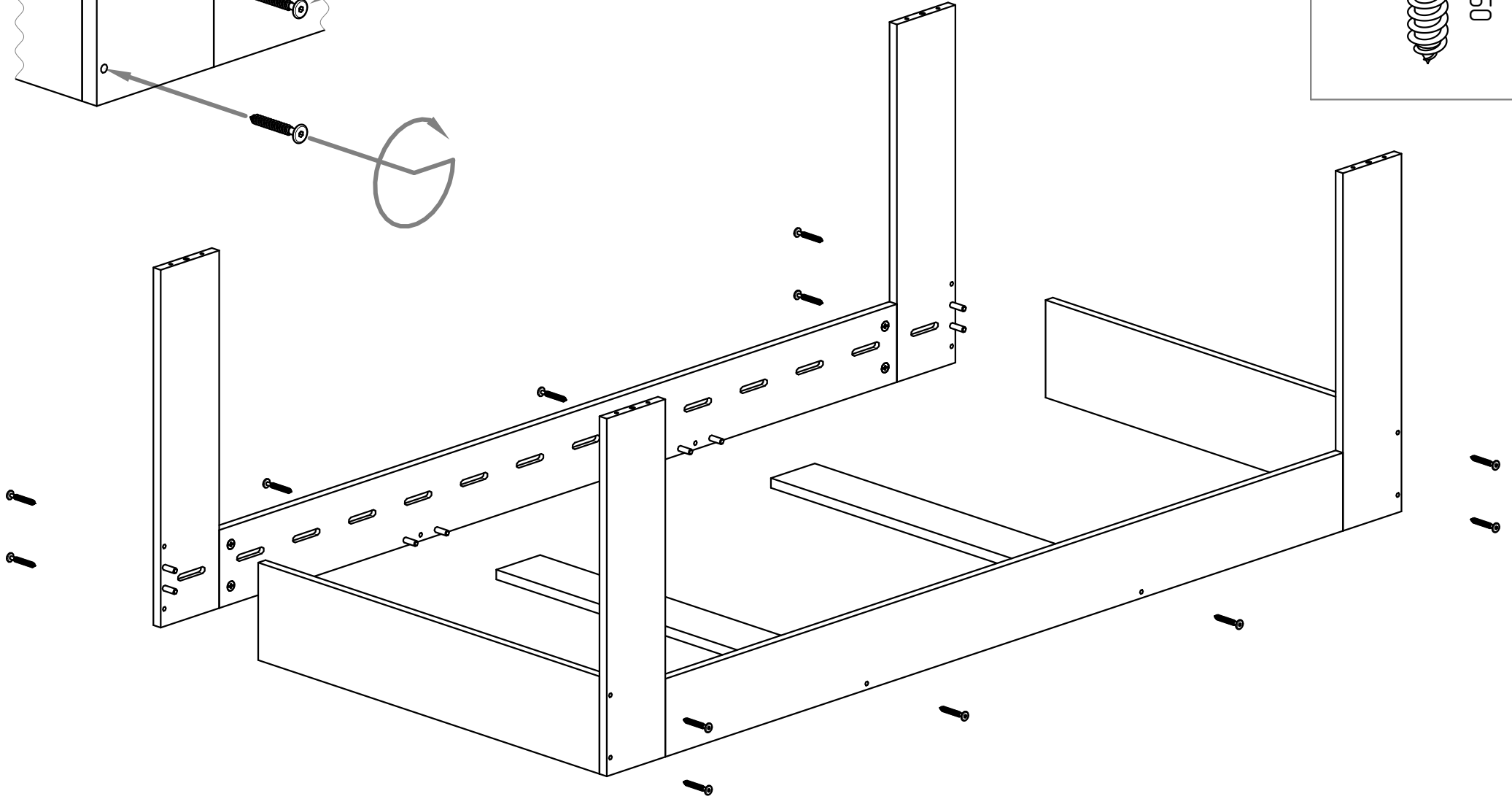
LKS

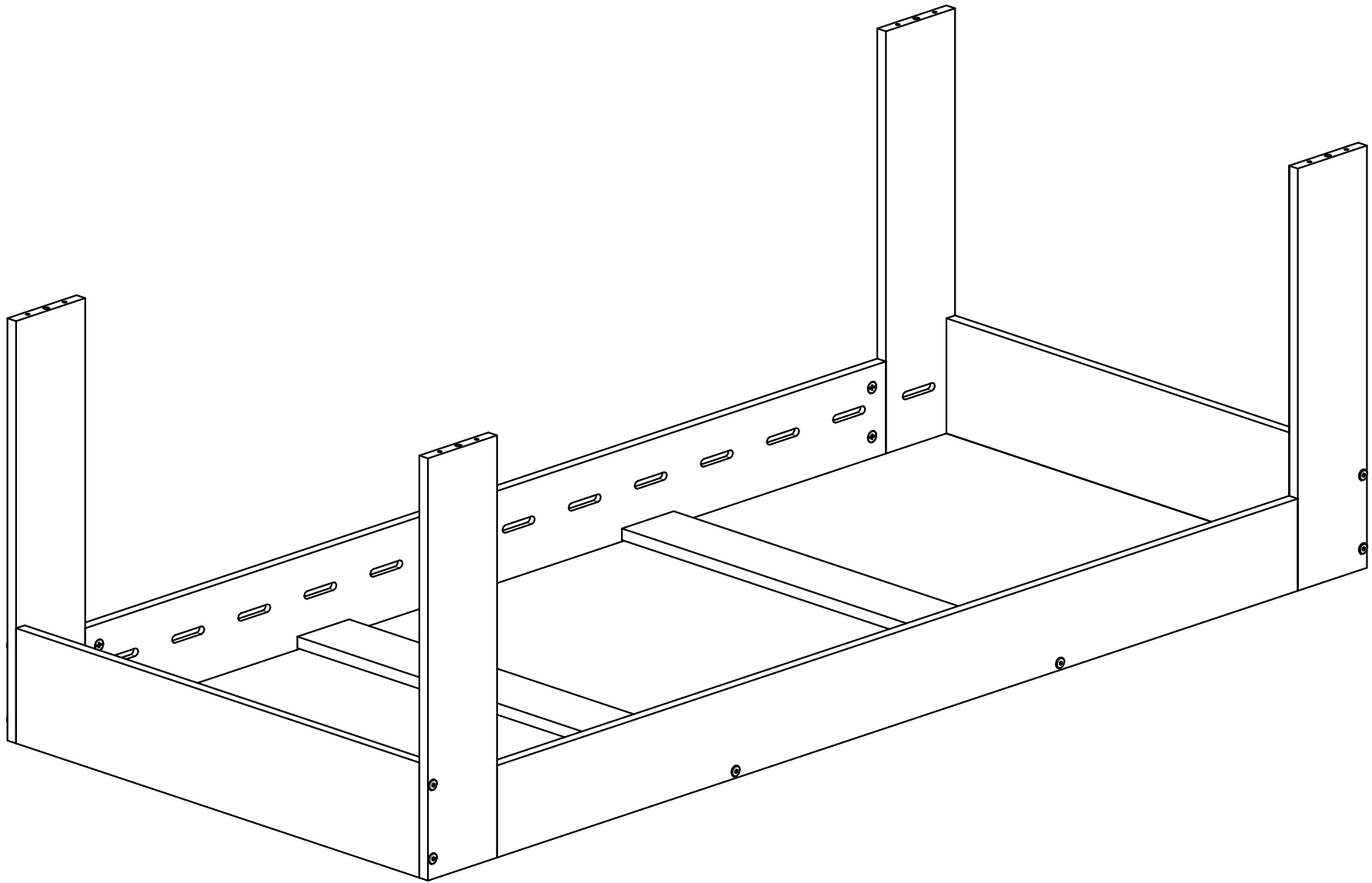
BK

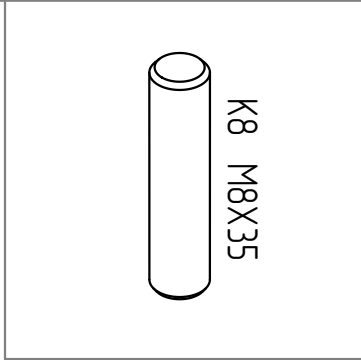
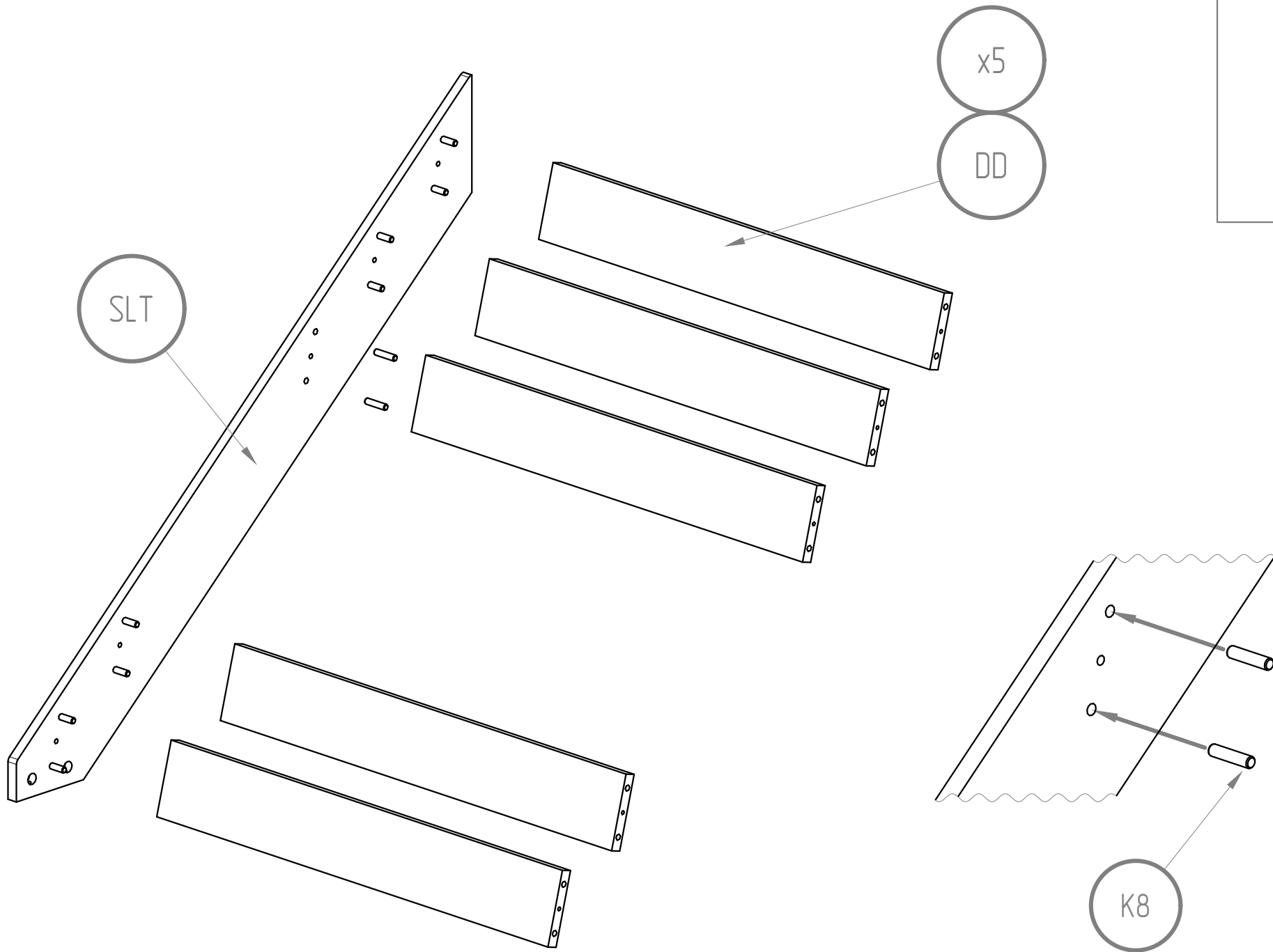


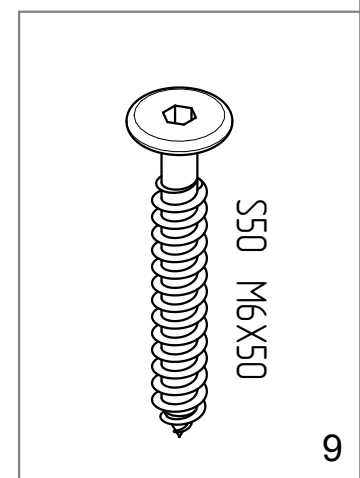
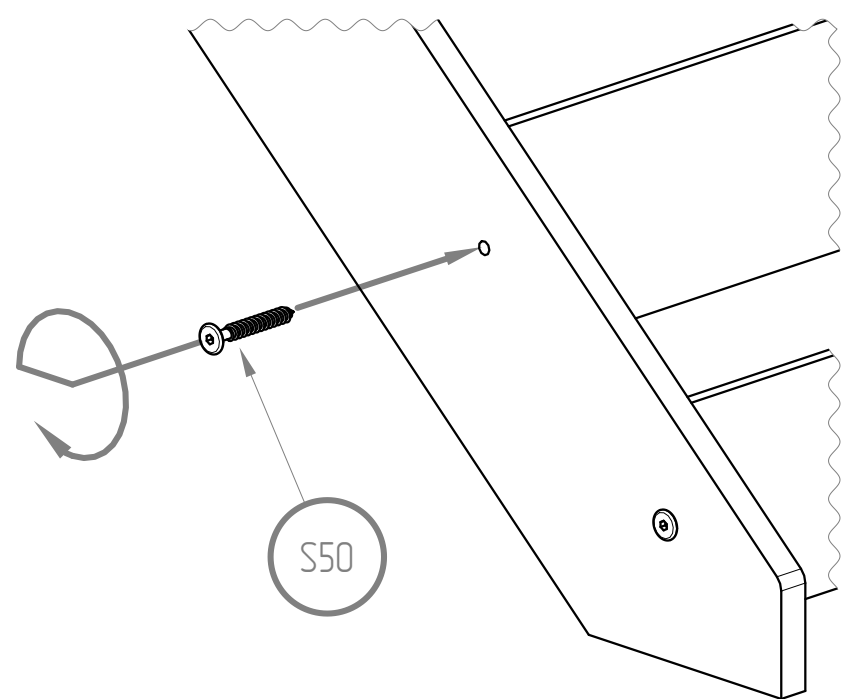
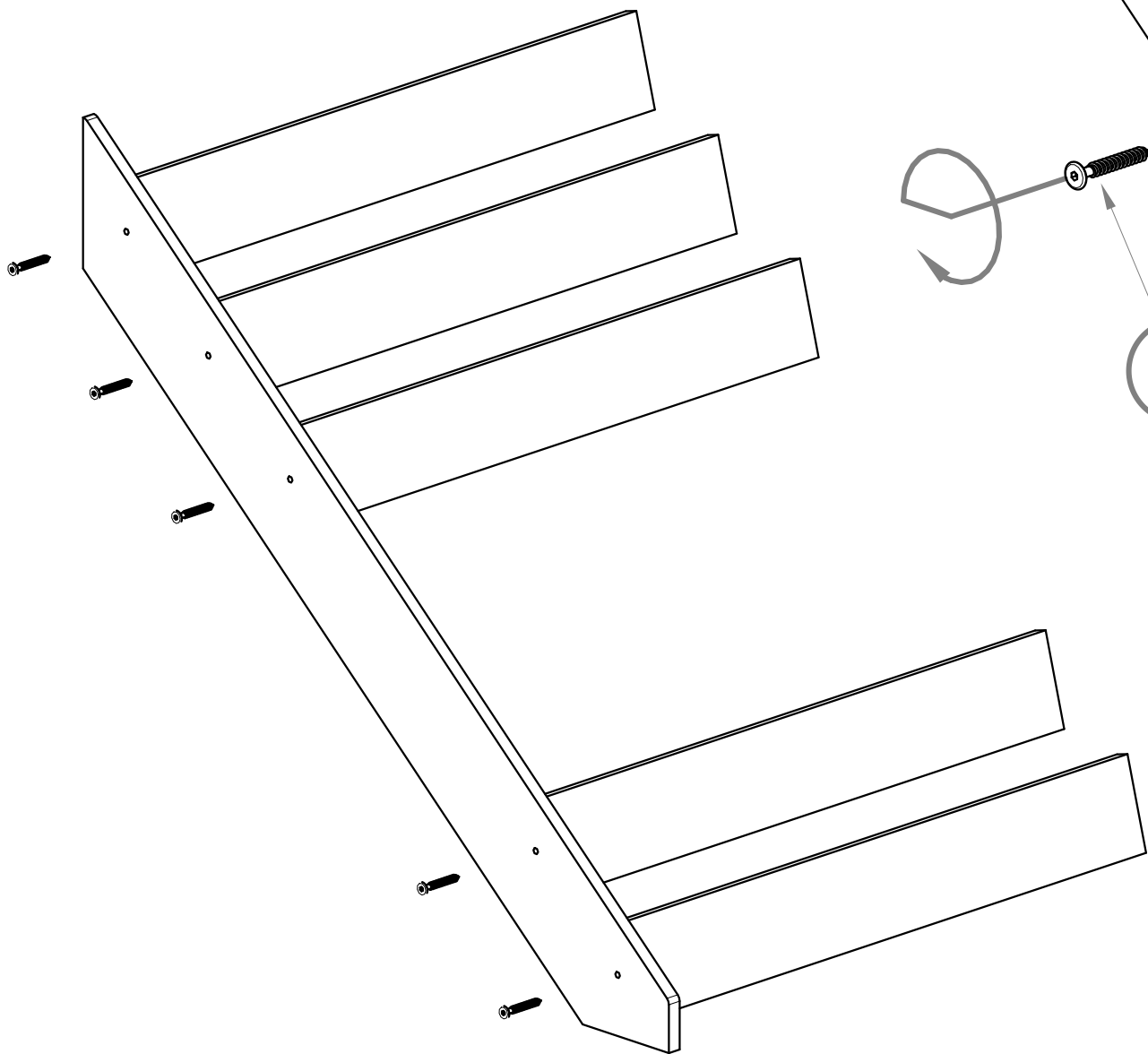


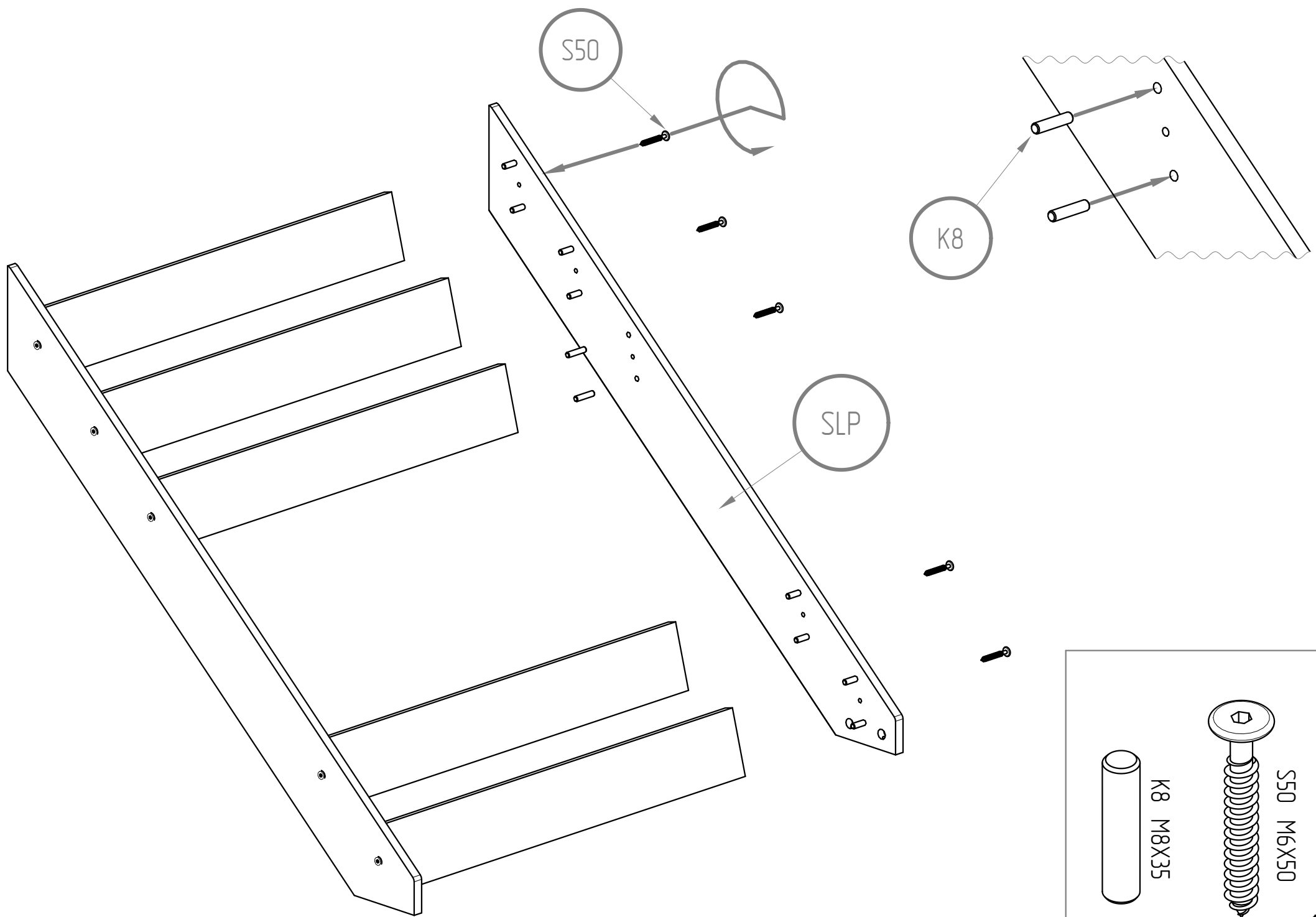
S50 M6X50











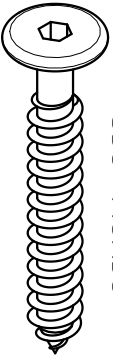
S50

K8

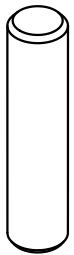
SLP



K8 M8X35



S50 M6X50



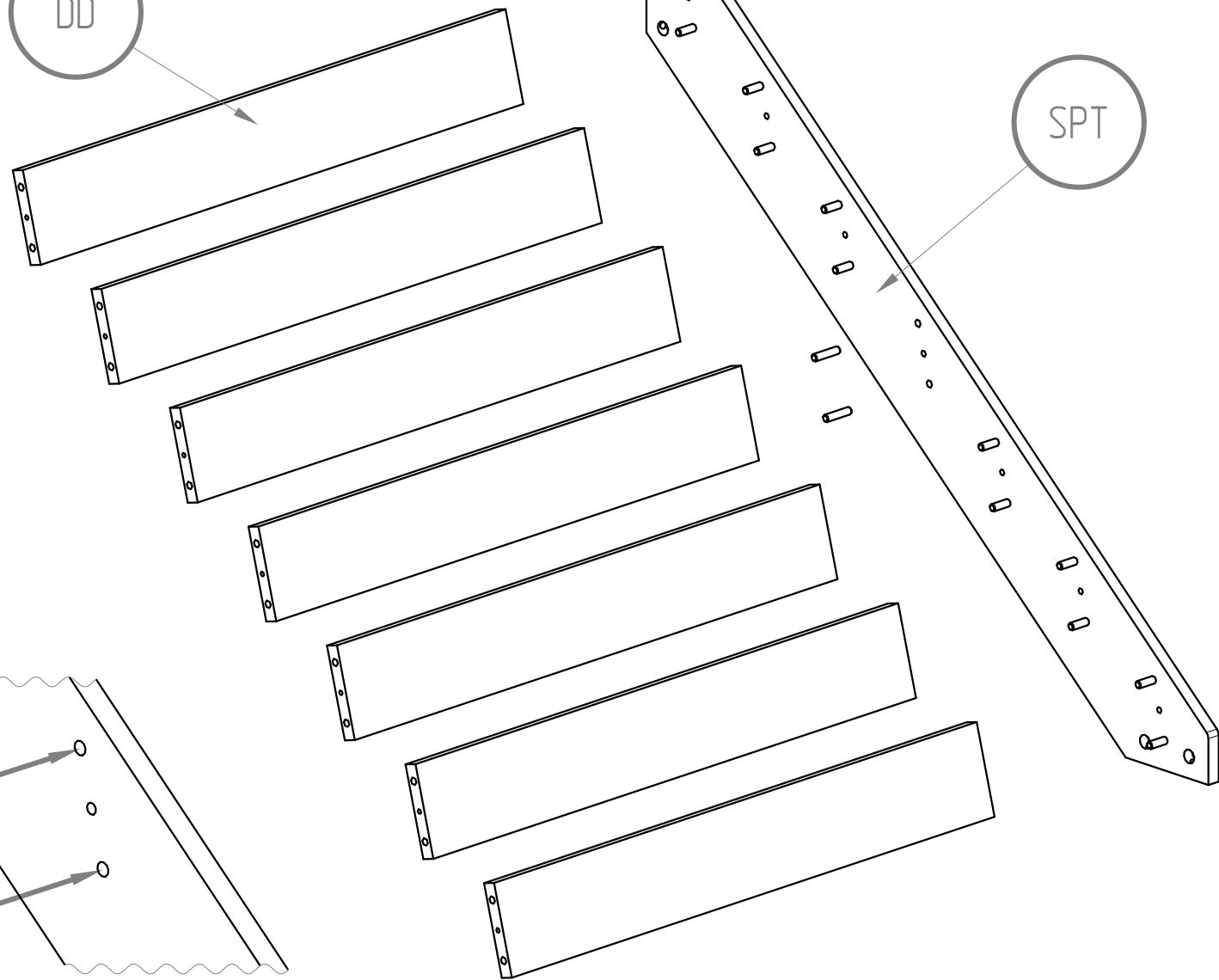
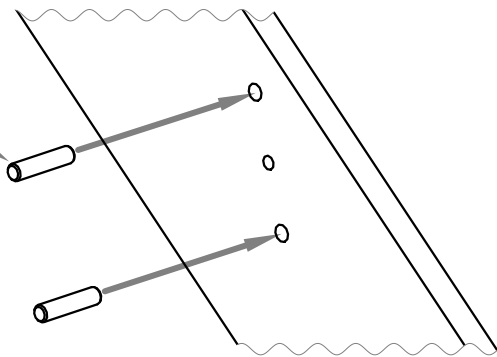
K8 M8X35

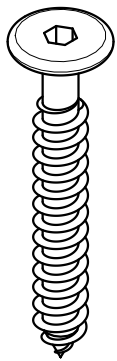
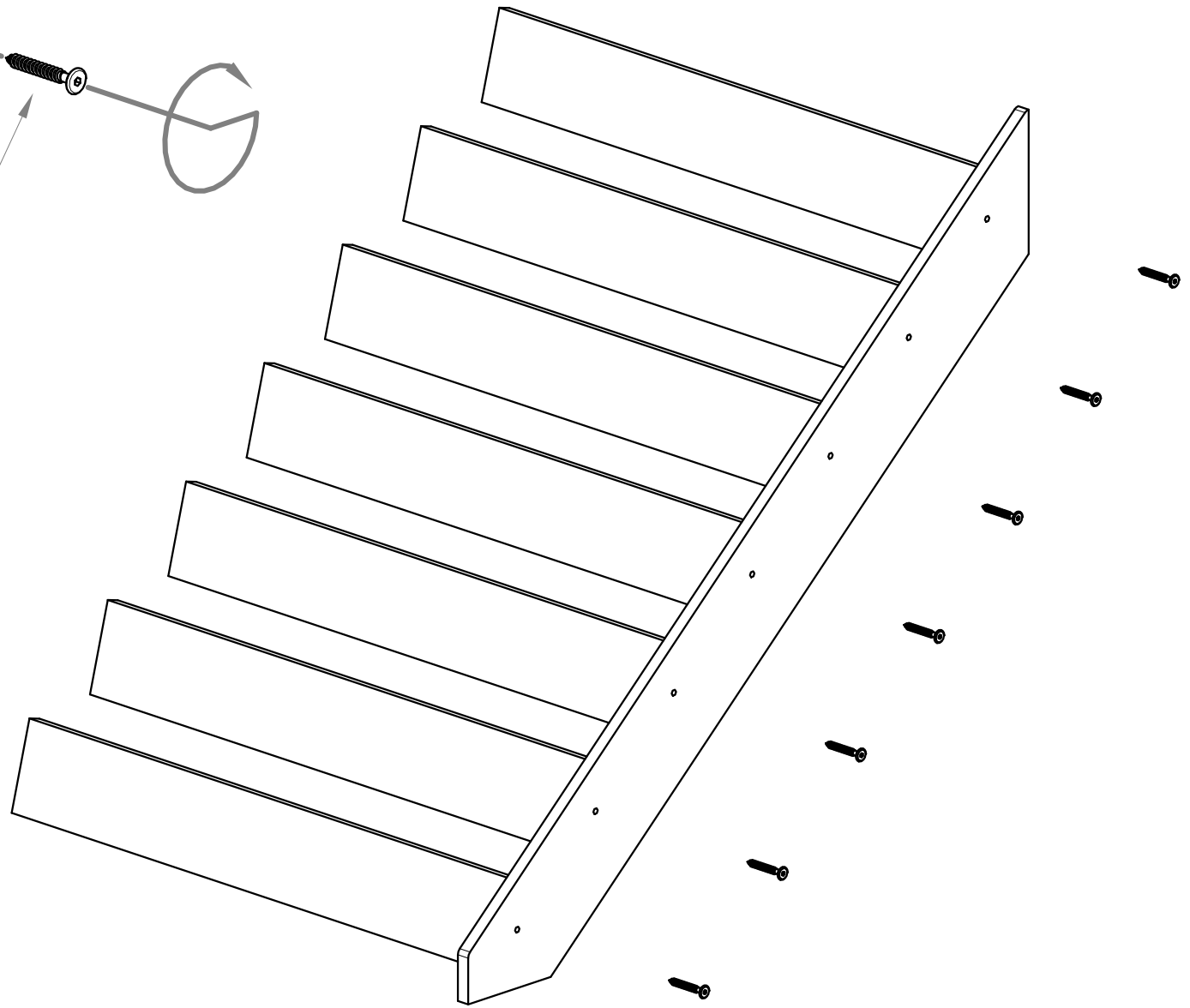
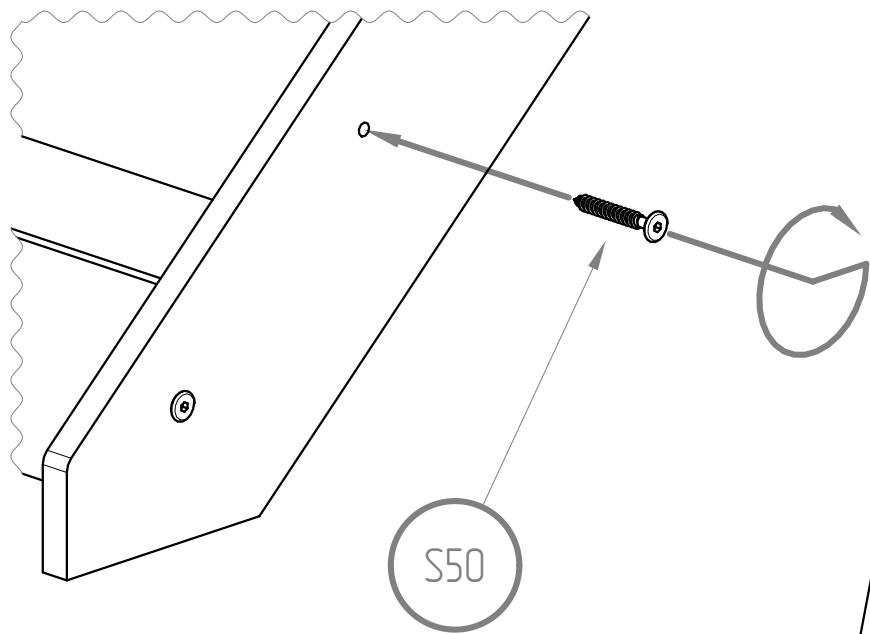
x7

DD

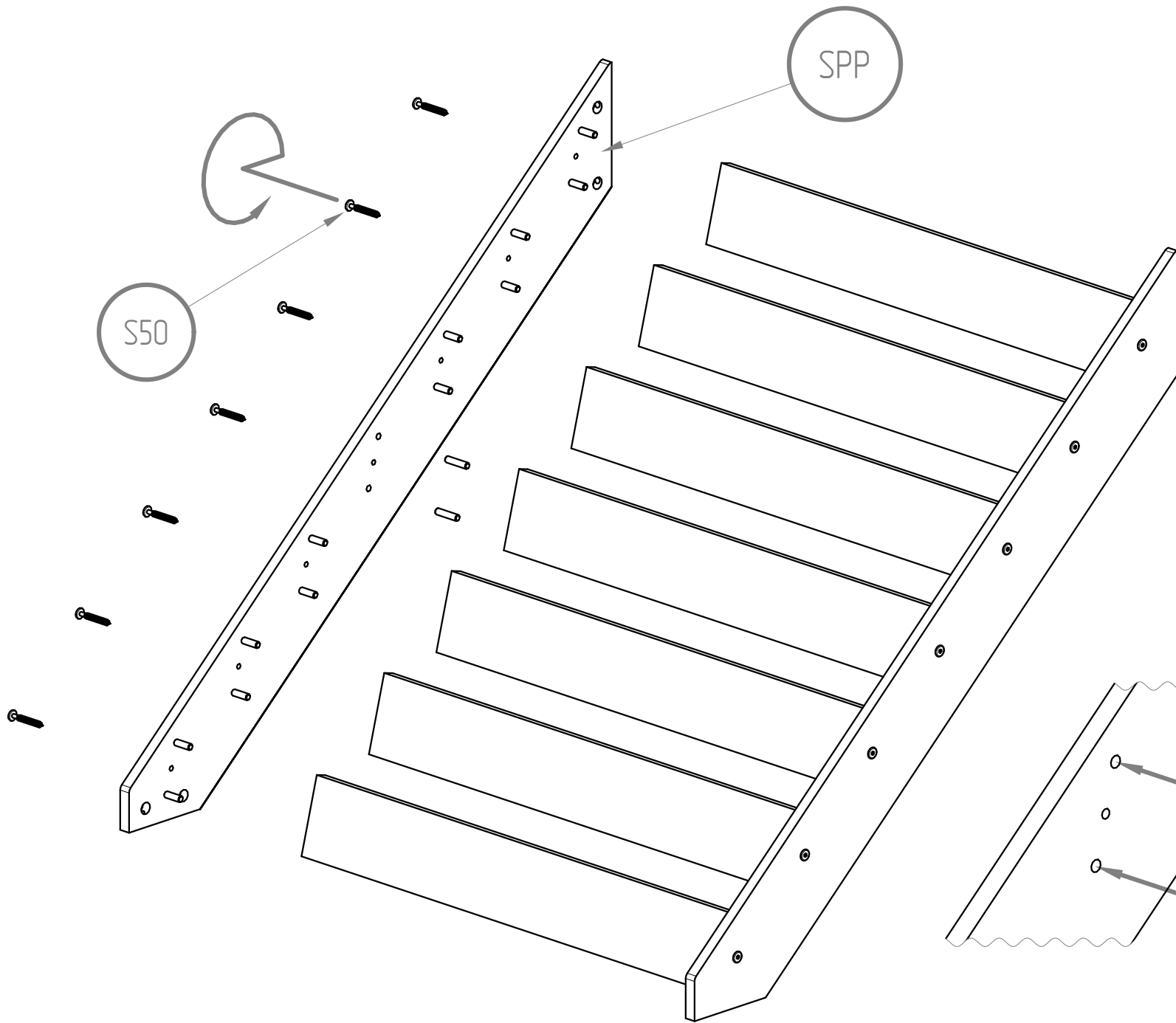
SPT

K8





S50 M6X50

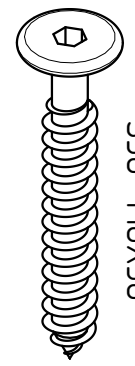


S50

SPP

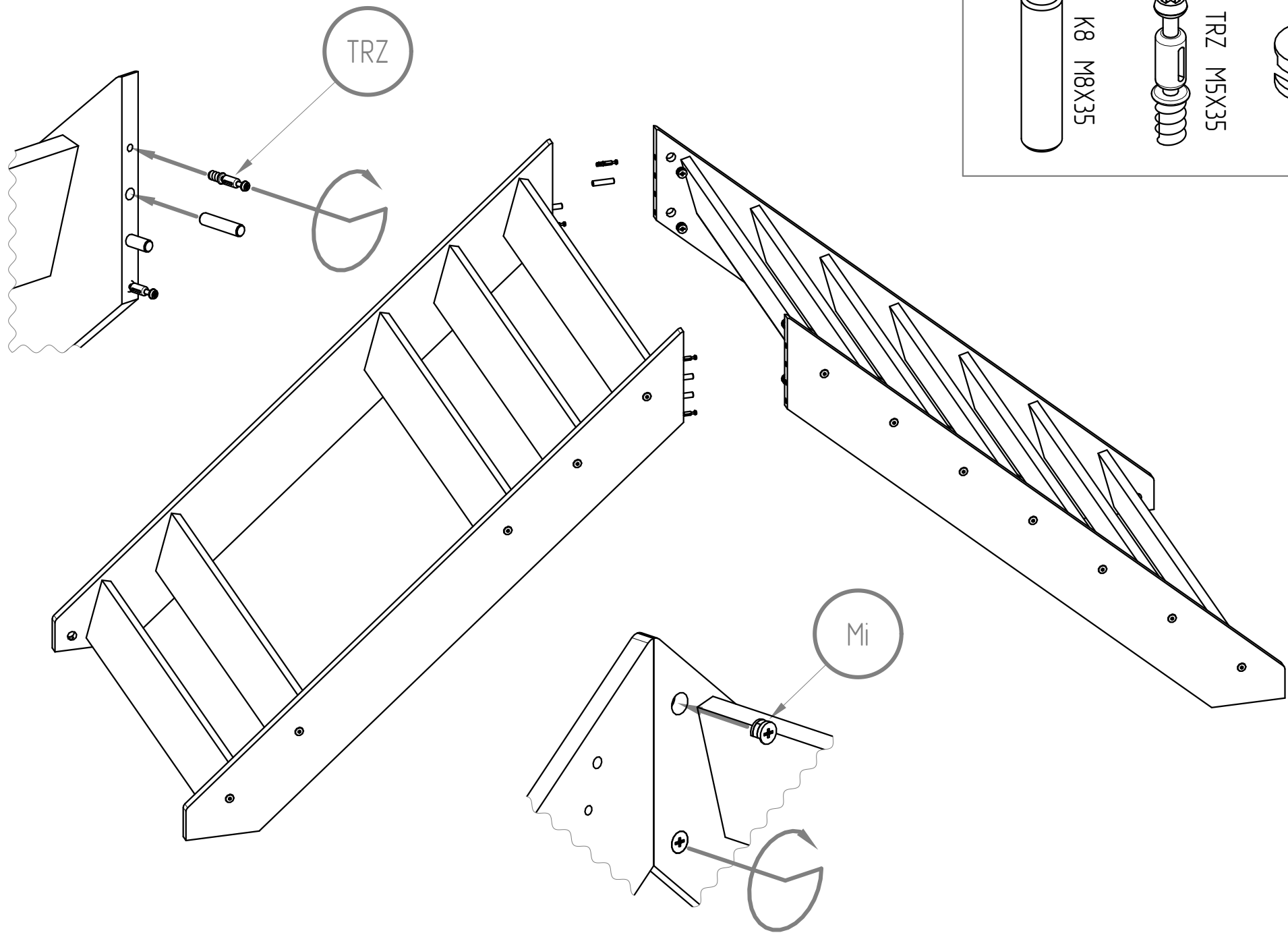


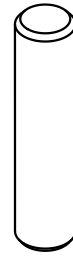
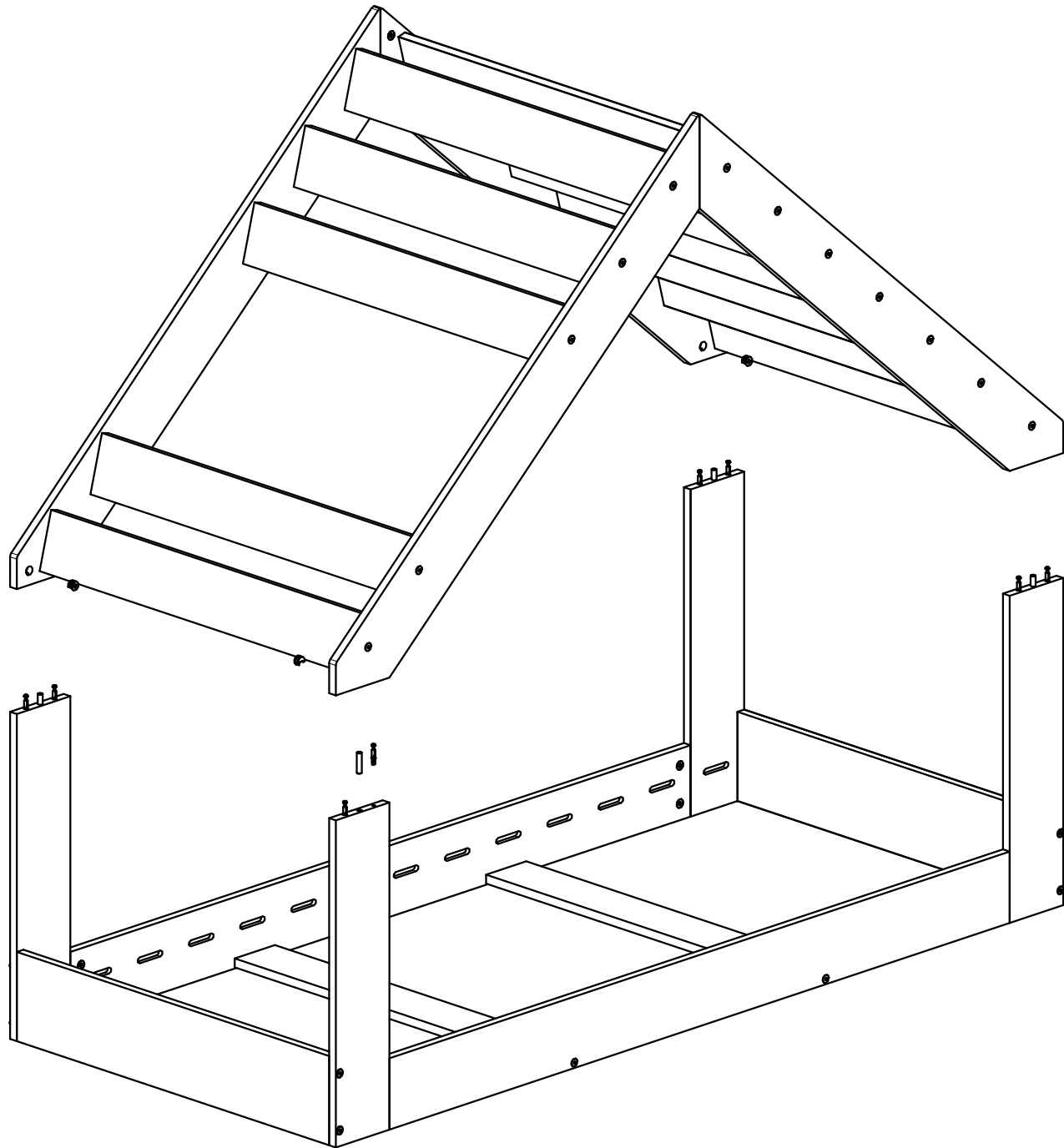
K8 M8X35



S50 M6X50

K8

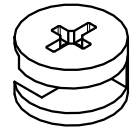




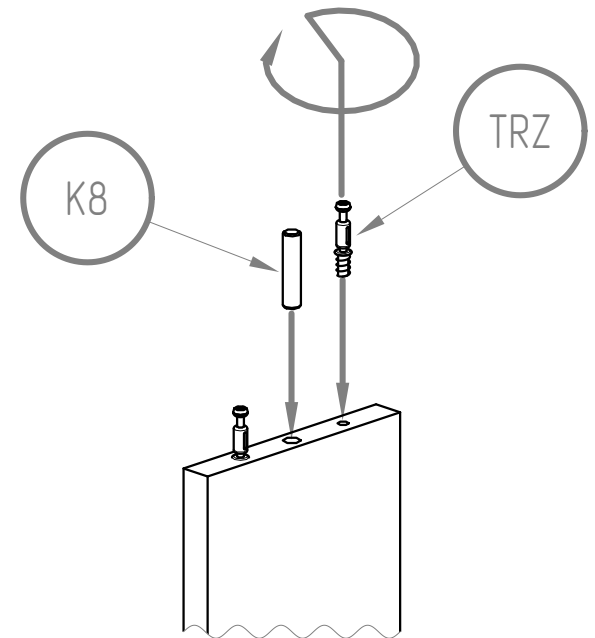
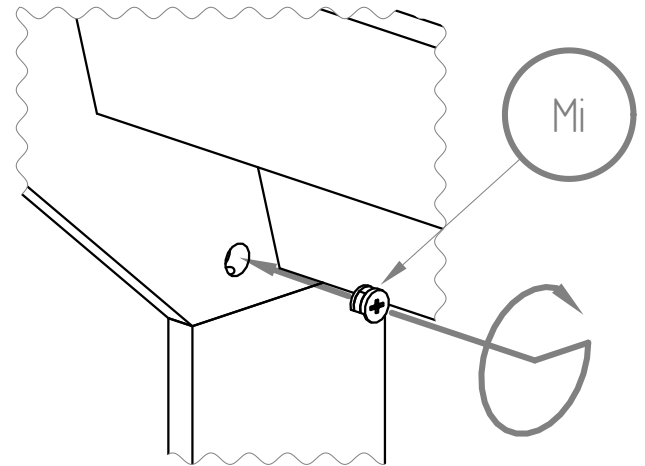
K8 M8X35

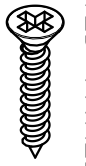


TRZ M5X35

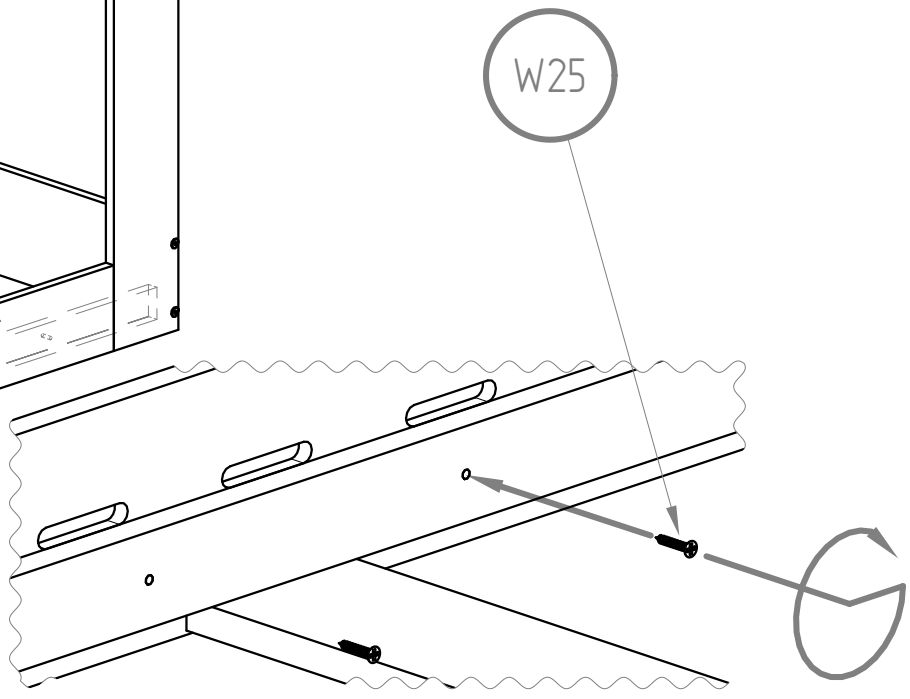
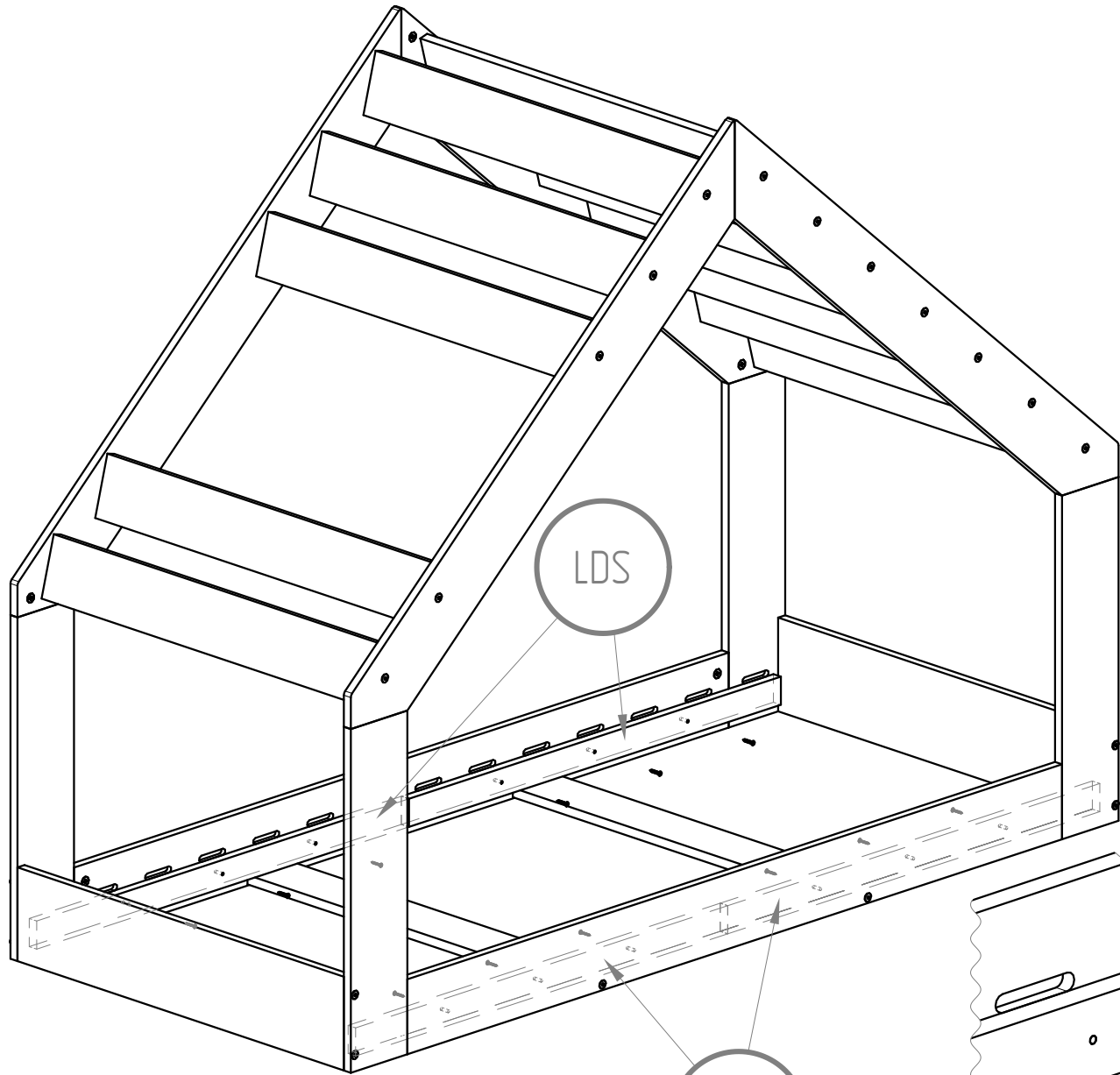


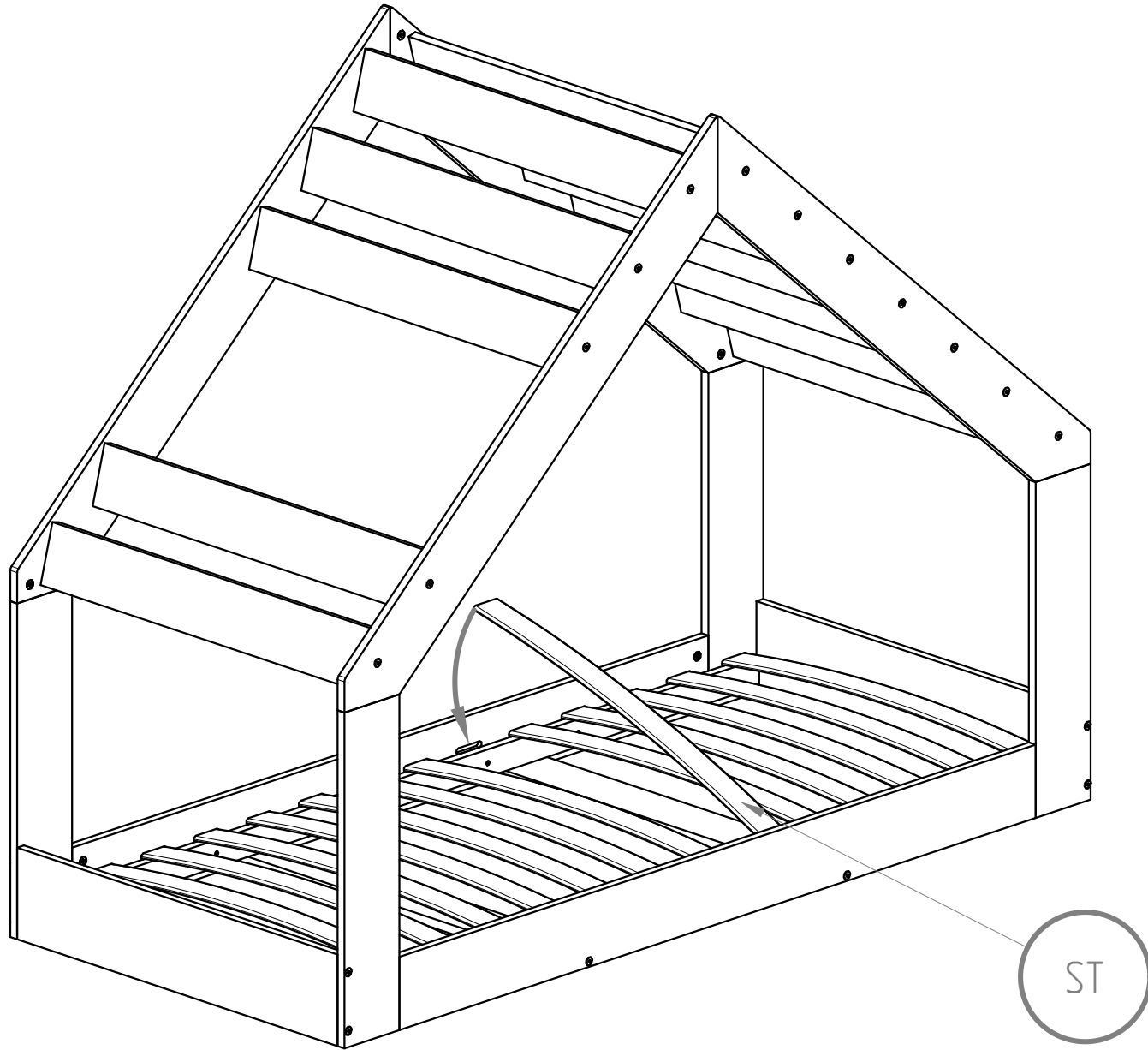
Mi





W25 M4X25





Assembly Manual **PETIT PUK**



Yeaah, great job!!

We hope you are happy with the results too! Don't forget to share a photo with us, it makes us incredibly happy to see the results in our mailbox or on instagram with #petitpuk

Please remember this:

- ♥ Use only mattress with thickness is 8-14 cm height.
- ♥ Beds are for sleeping, not for jumping
- ♥ Prohibit more than one person on the bunkbed.
Do not hang on construction components.
- ♥ Wooden and plastic parts should be cleaned with a dry cloth and ordinary, mild care and cleaning of raw wood
- ♥ Bed parts have a warrantee for 2 years under normal use.
If necessary, contact **PETIT PUK** indicating your name and order number, accompanied by photos's of the situation.

**PETIT
♥ PUK ♥**

www.petitpuk.com f [petitpuk](#)  [petitpuk](#)