






## Assembly Manual for SEBAS

Congratulations on your new Petit Puk bed! Get ready to transform your kid's sleeping space into a fortress of imagination, a castle of coziness, and a launchpad for their sweetest dreams! When you follow this step-by-step assembly, you'll breeze through the process.

Quick Checklist:

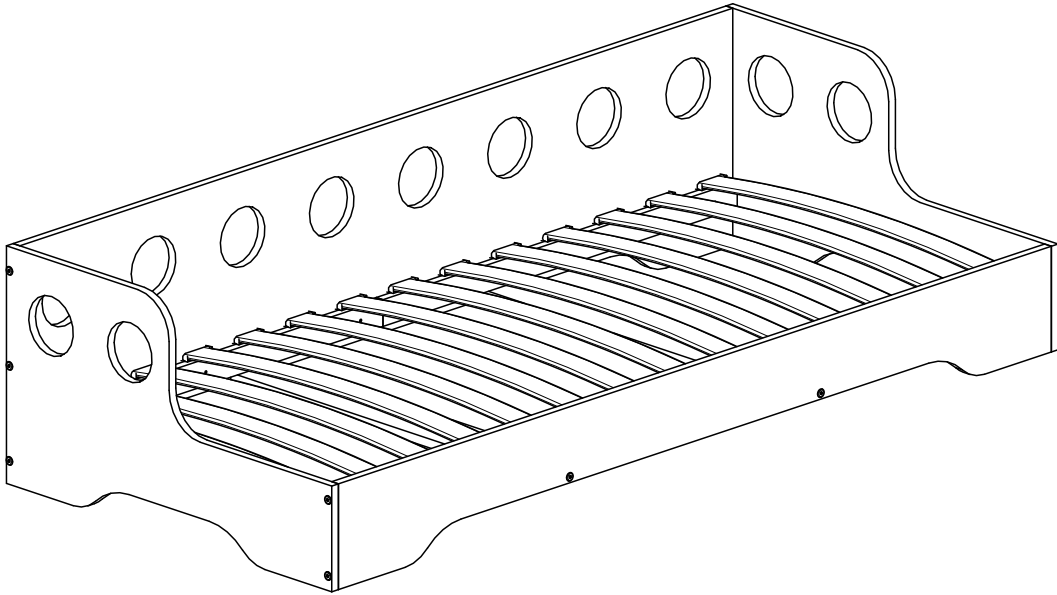
-  Is everything complete?
-  All pieces in good shape?
-  Do no start adding glue before you made sure all pieces are there and in perfect shape
-  Note! Applying glue to the bed base is **not** mandatory, as it could hinder the disassembly process later on. Let's keep things flexible for future adventures!
-  Ready to take a photo of your great work once completed and share with us?

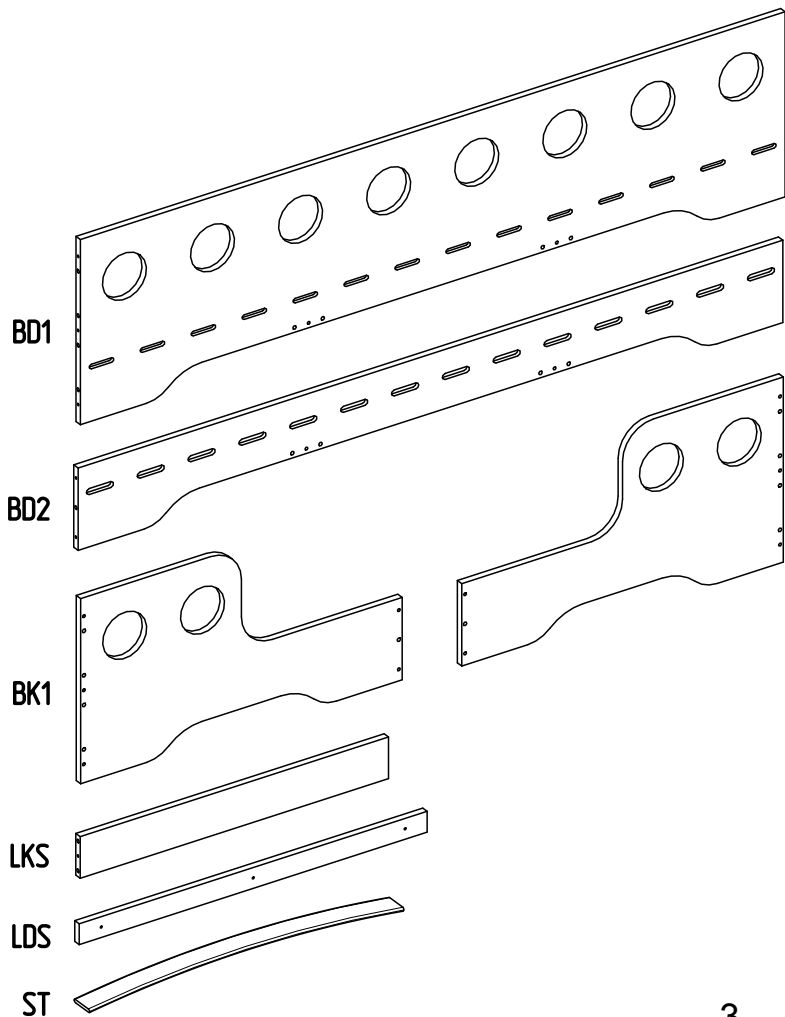
Ticked all the boxes? Put on your superhero cape, and let's dive into the wonderful world of bed building.

Big wave,  
Team Petit Puk

**Questions?** Reach out via [customercare@petitpuk.com](mailto:customercare@petitpuk.com)

**Compliments?** Tag us on instagram [@petitpuk](https://www.instagram.com/petitpuk)





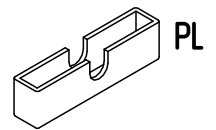
BK2

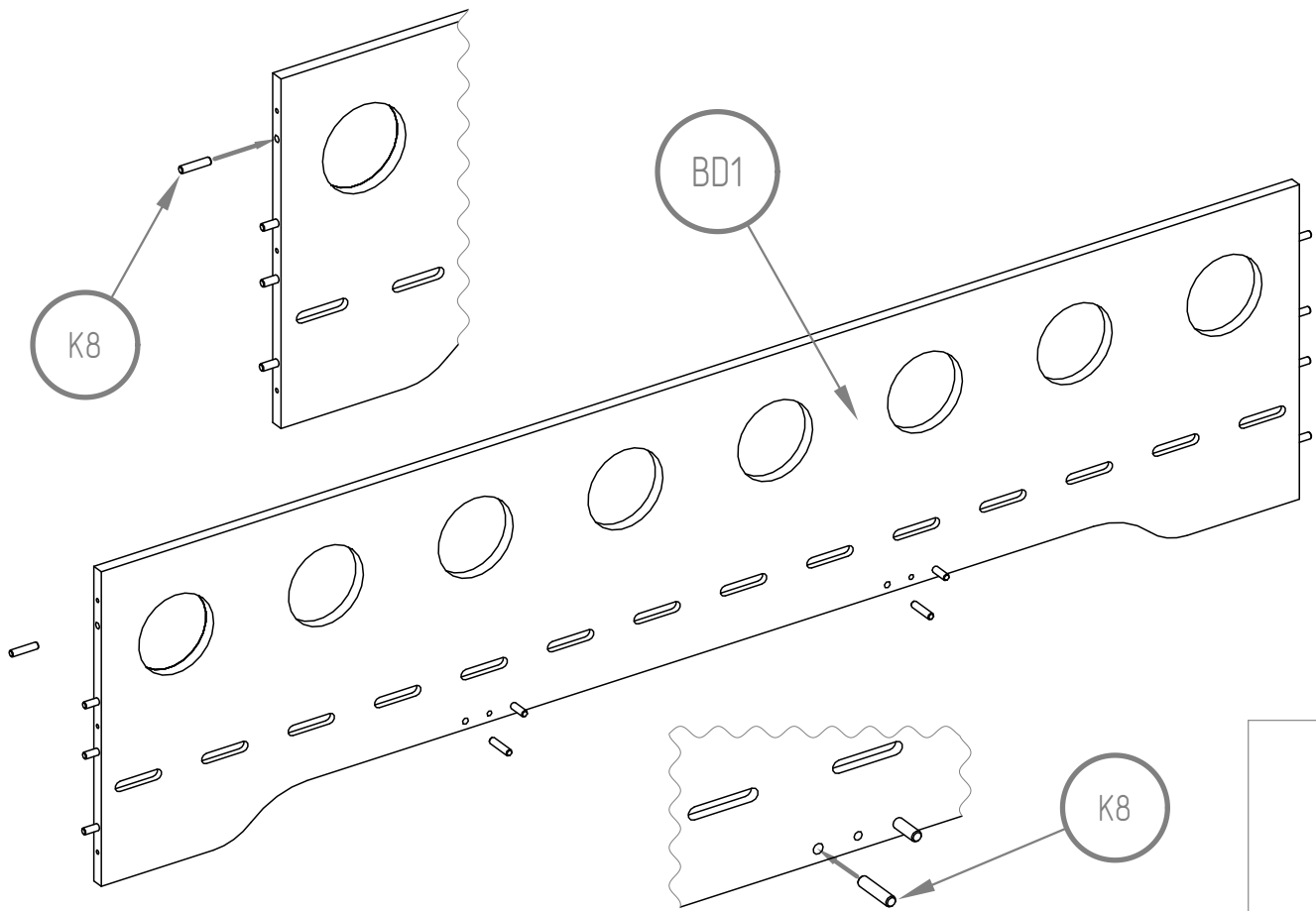
3

BD1	x1
BD2	x1
BK1	x1
BK2	x1
LKS	x2
LDS	x4
ST	x12-16

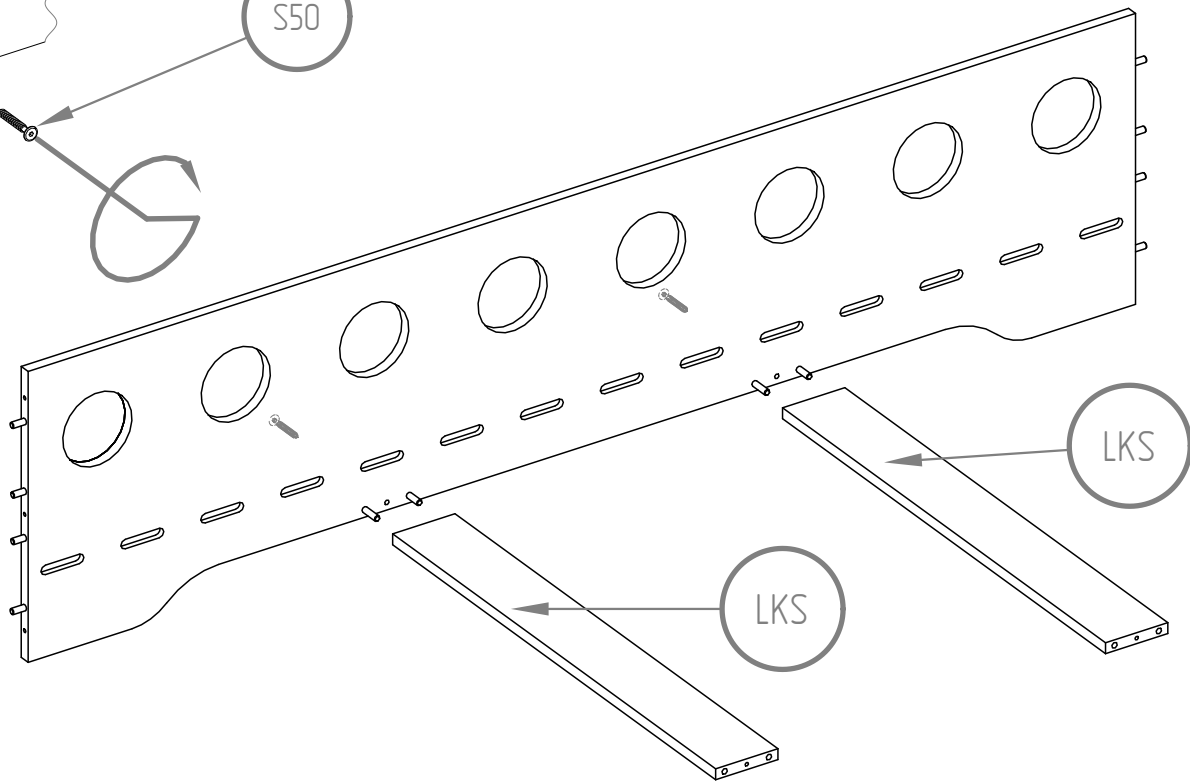
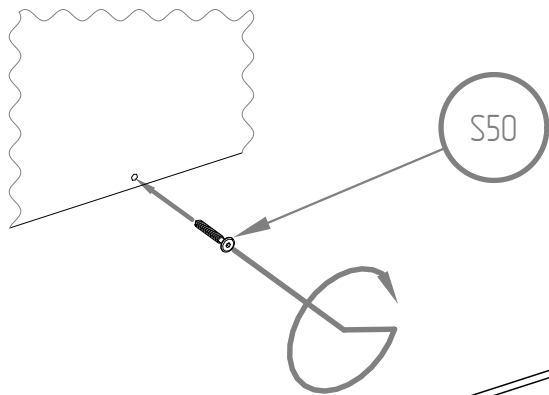
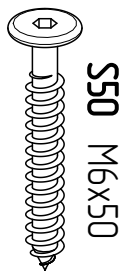
## SCREWS

S50	x14
K8	x18
W25	x12
PL	x24-32

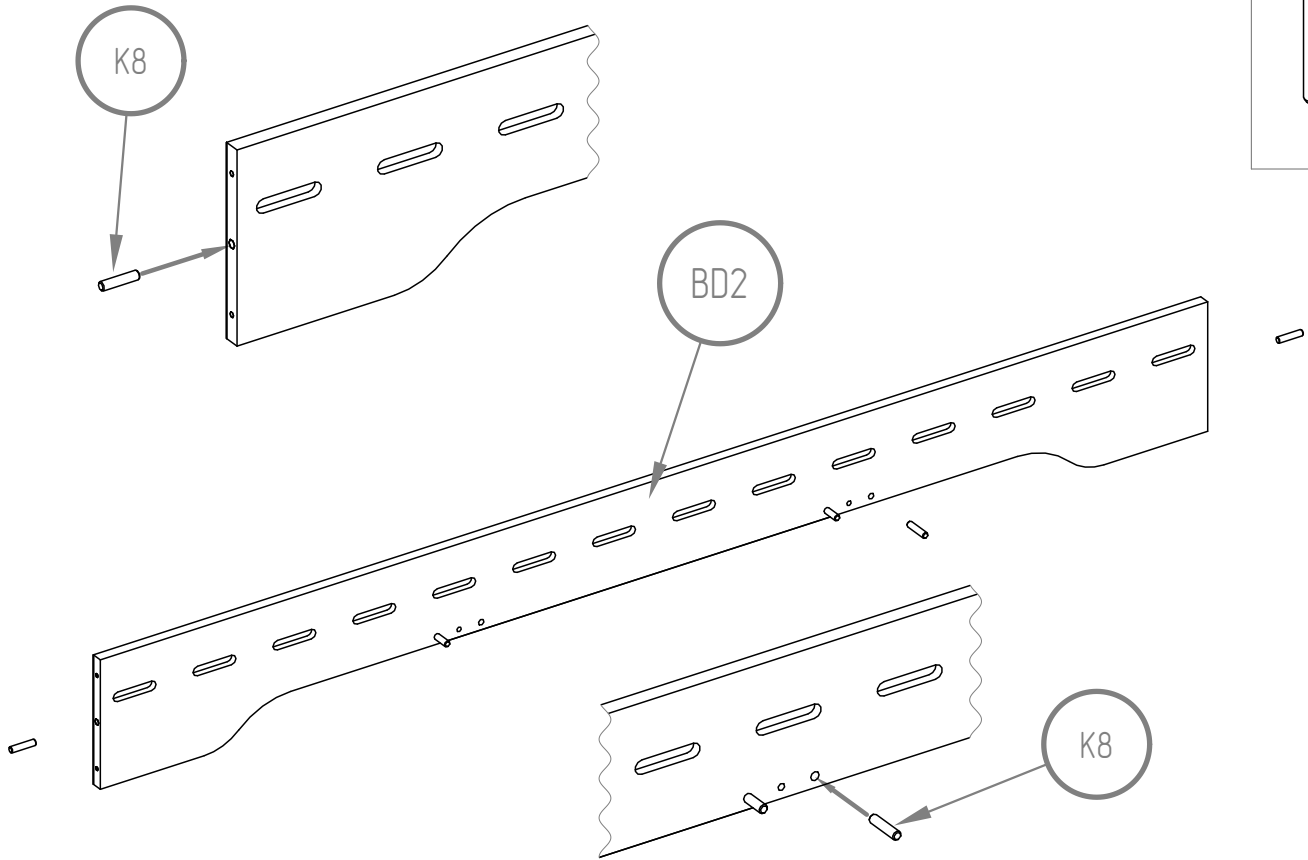




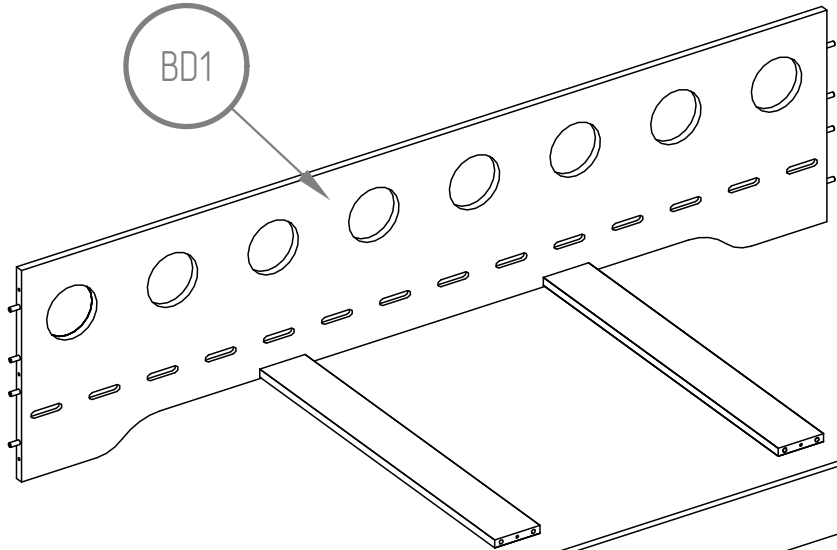
**K8** M8x35



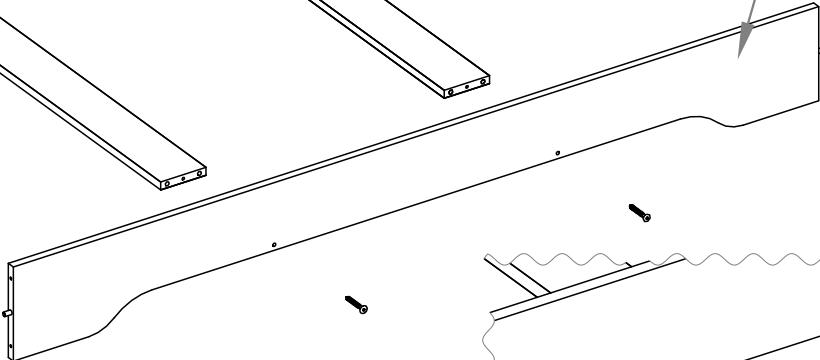
**K8**  
M8X35



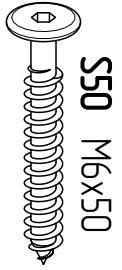
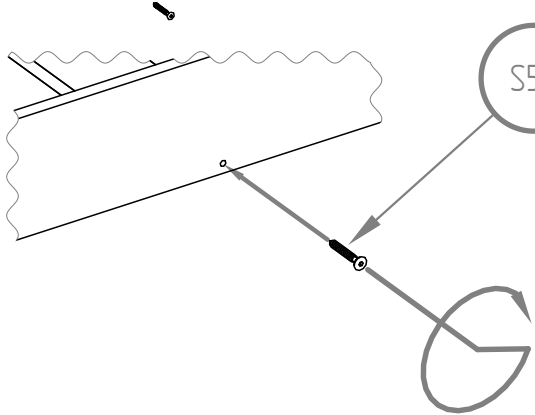
BD1



BD2

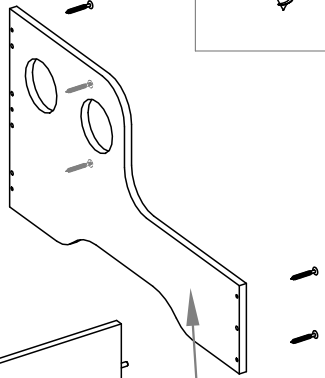
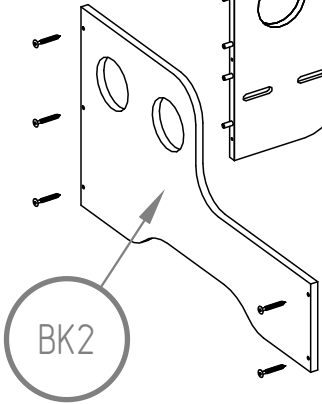
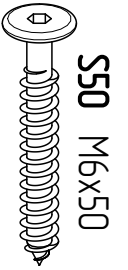
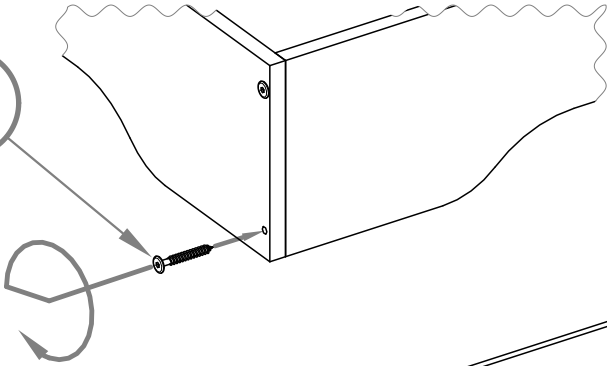


S50



S50 M6x50

S50

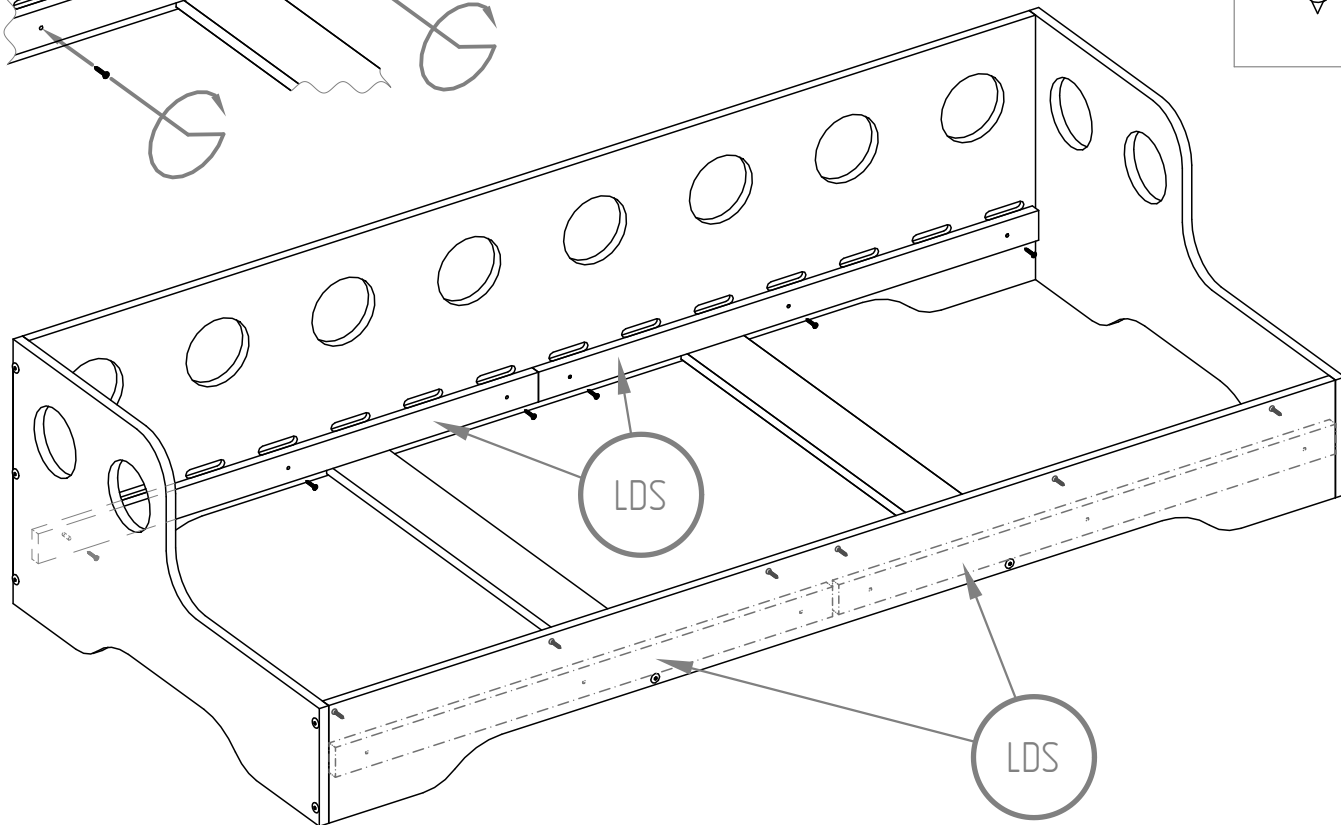
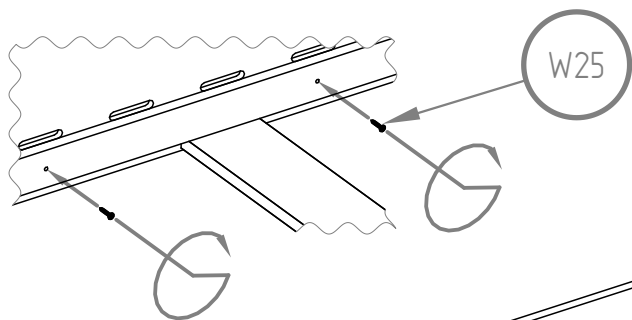


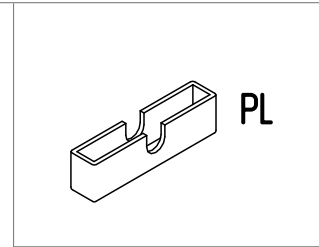
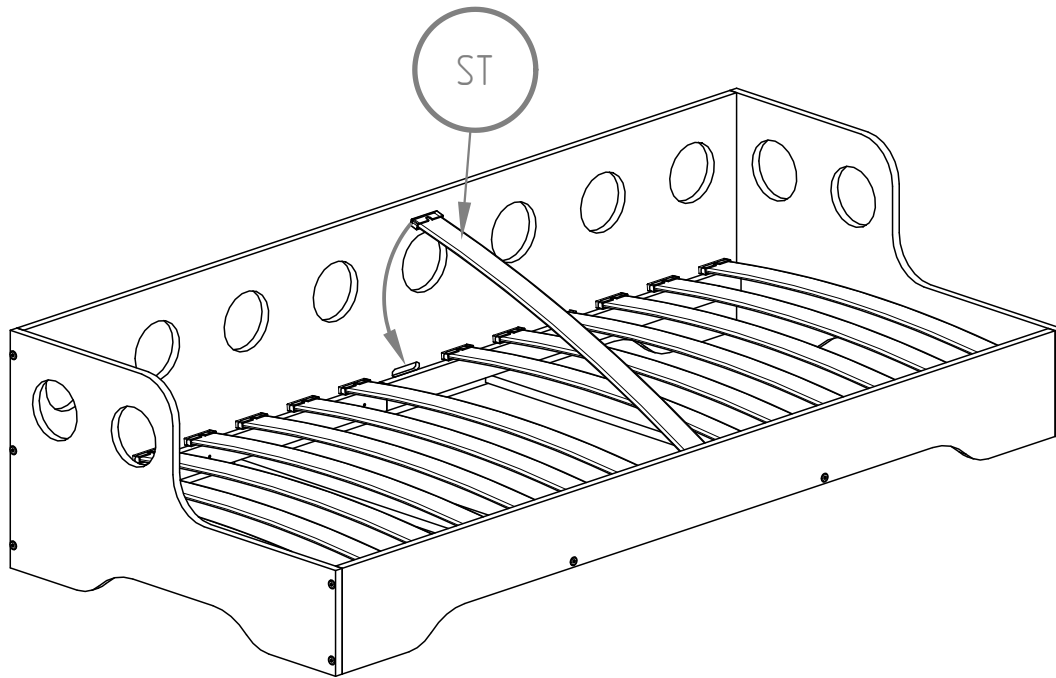
BK1





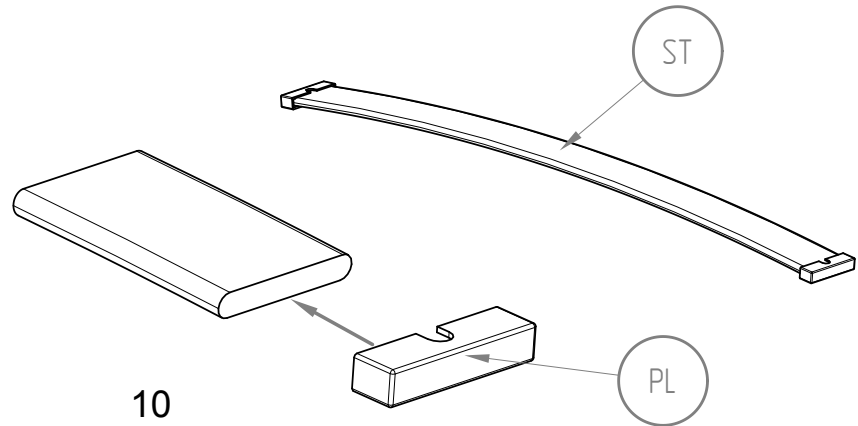
W25 M4x25





## Important!

Install the plastic caps before assembling the ST spring slats to the bed frame.



## Woohoo!

High-fives all around for a job well done.

We hope your little one is over the moon with their new Petit Puk bed. And why not show off all your hard work? Snap a pic and share it with us on Instagram (tag us @petitpuk) or shoot us an email at [info@petitpuk.com](mailto:info@petitpuk.com). We love seeing our creations come to life in your wonderful homes!

Now, before your kid dives in headfirst, here are a few friendly reminders:

- Stick to mattresses between 8-14 cm thick for the perfect fit.
- Beds are for snoozing, not bouncing
- Keep it safe with just one child on the bunk bed.
- Please, no acrobatics - avoid hanging off any parts of the bed.
- Keep things tidy with a gentle wipe-down of wooden and plastic parts using a dry cloth and mild cleaner.

### **Warranty**

We've got your back with a 2-year warranty on bed parts under normal use. If you ever need a hand or have any questions, don't hesitate to reach out to Team Petit Puk. Just send us a message with your name and order number, along with images of the situation.