






Assembly Manual for SAGE

Congratulations on your new Petit Puk bed! Get ready to transform your kid's sleeping space into a fortress of imagination, a castle of coziness, and a launchpad for their sweetest dreams! When you follow this step-by-step assembly, you'll breeze through the process.

Quick Checklist:

-  Is everything complete?
-  All pieces in good shape?
-  Do no start adding glue before you made sure all pieces are there and in perfect shape
-  Note! Applying glue to the bed base is **not** mandatory, as it could hinder the disassembly process later on. Let's keep things flexible for future adventures!
-  Ready to take a photo of your great work once completed and share with us?

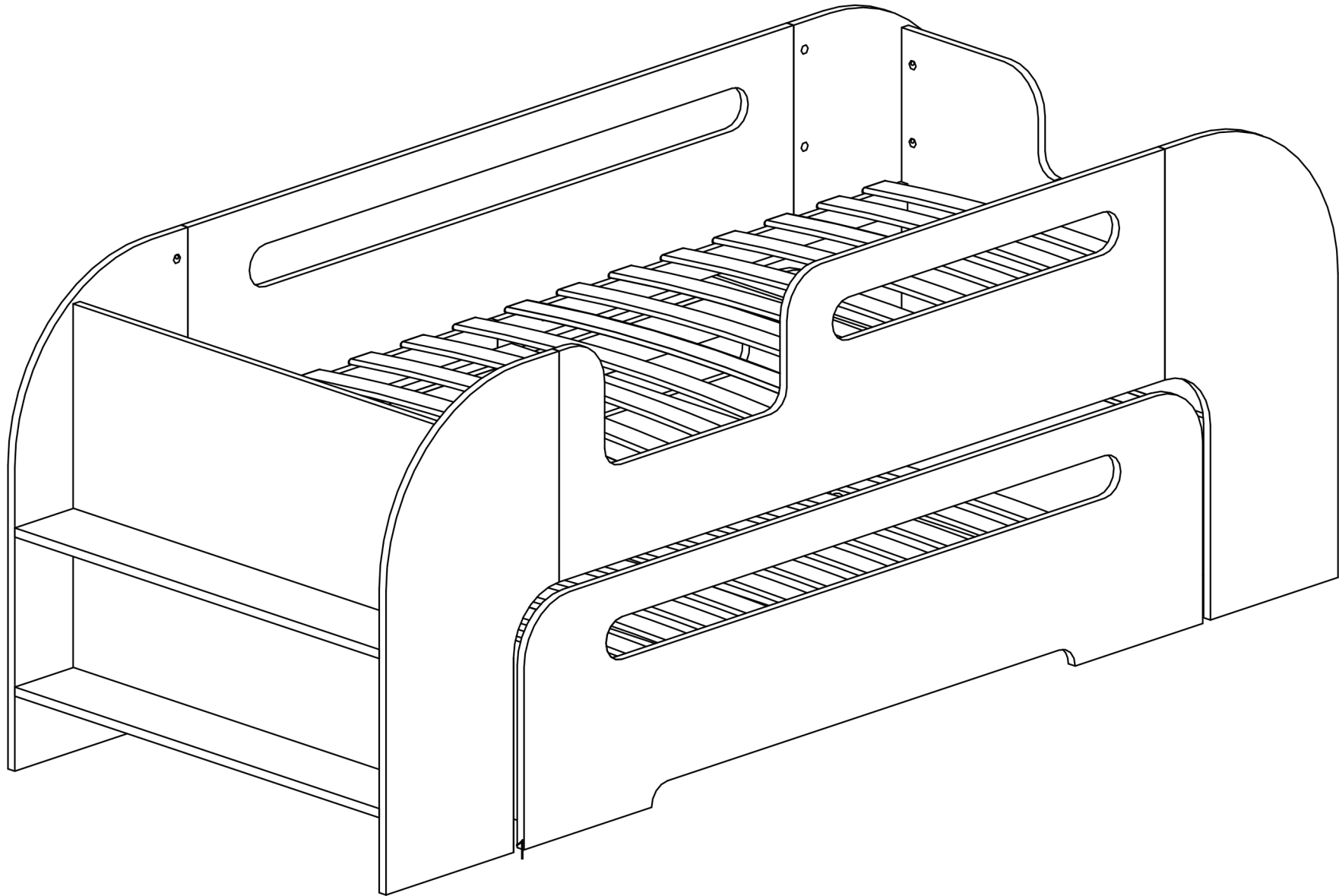
Ticked all the boxes? Put on your superhero cape, and let's dive into the wonderful world of bed building.

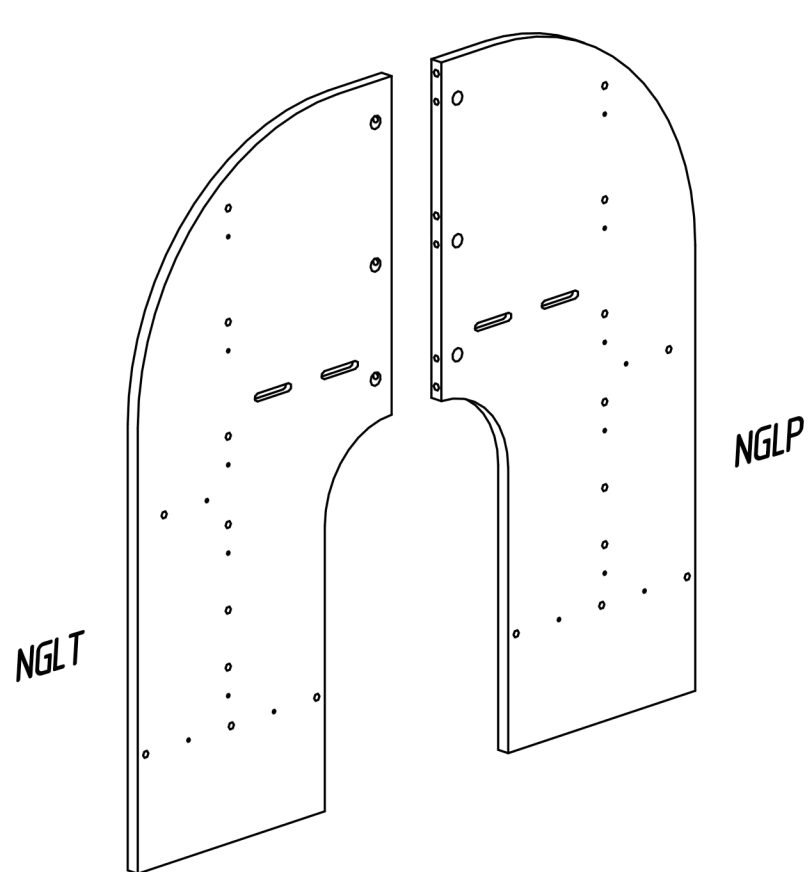
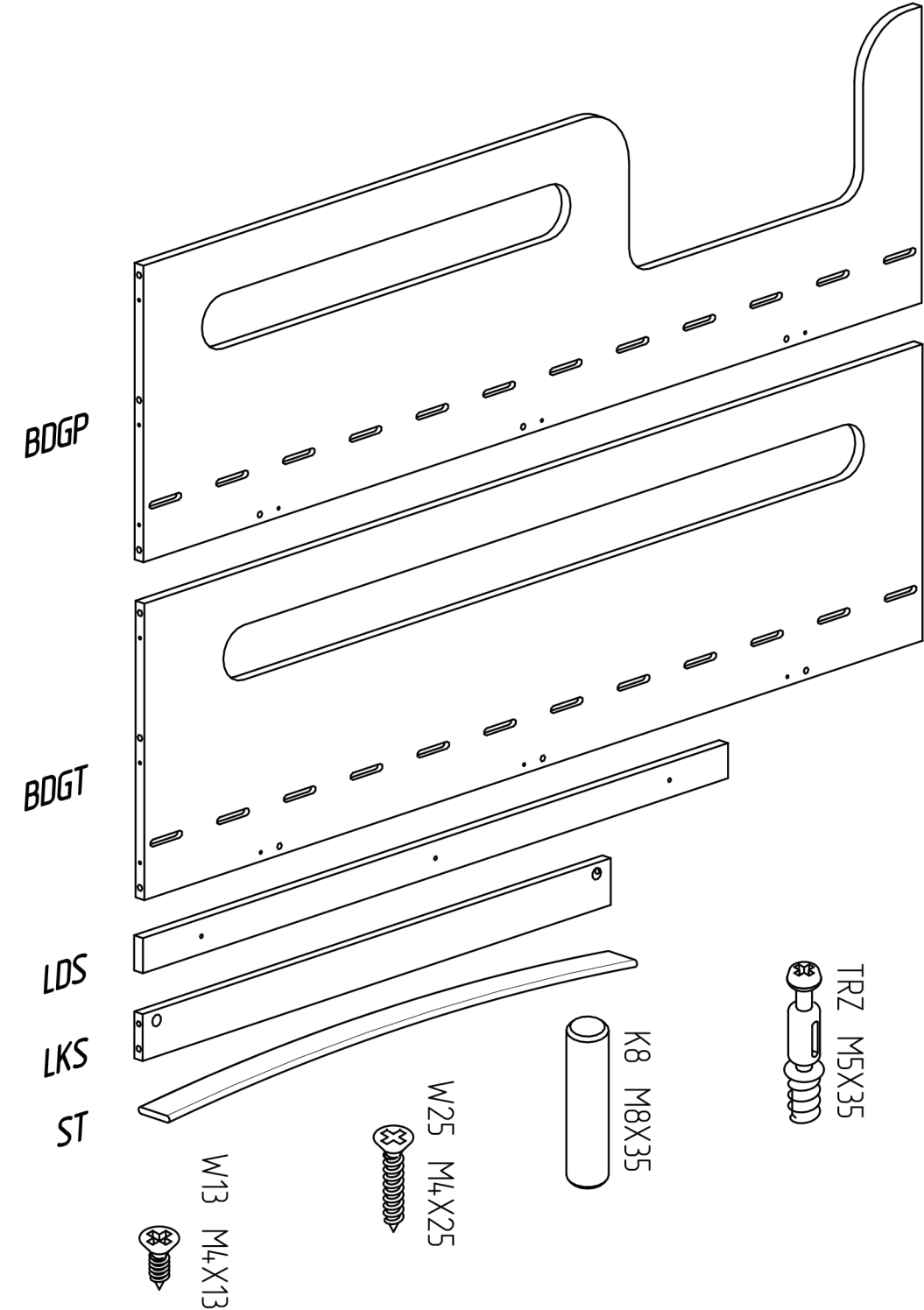
Big wave,
Team Petit Puk

Questions? Reach out via customercare@petitpuk.com

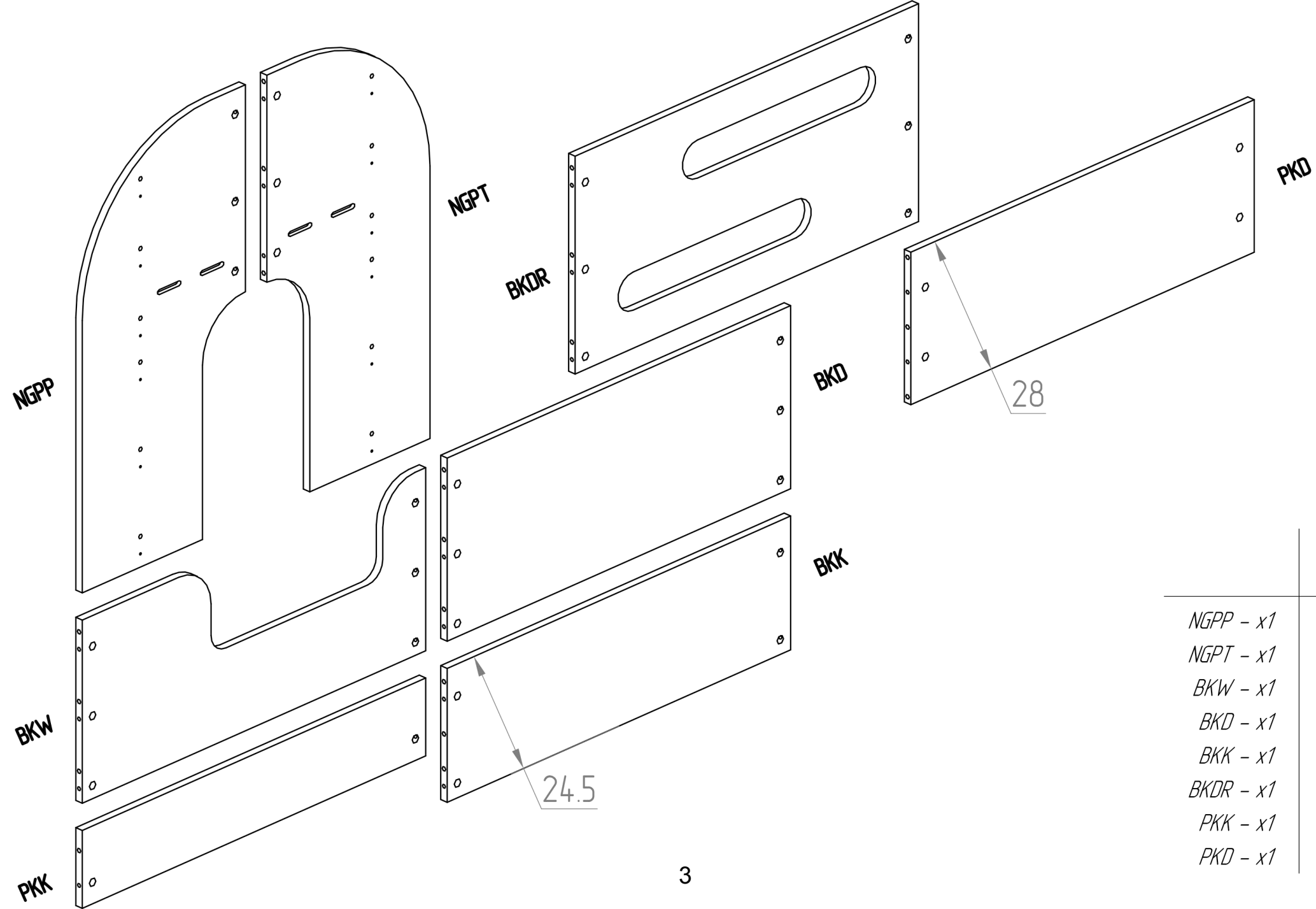
Compliments? Tag us on instagram @petitpuk

ENTRY ON THE RIGHT

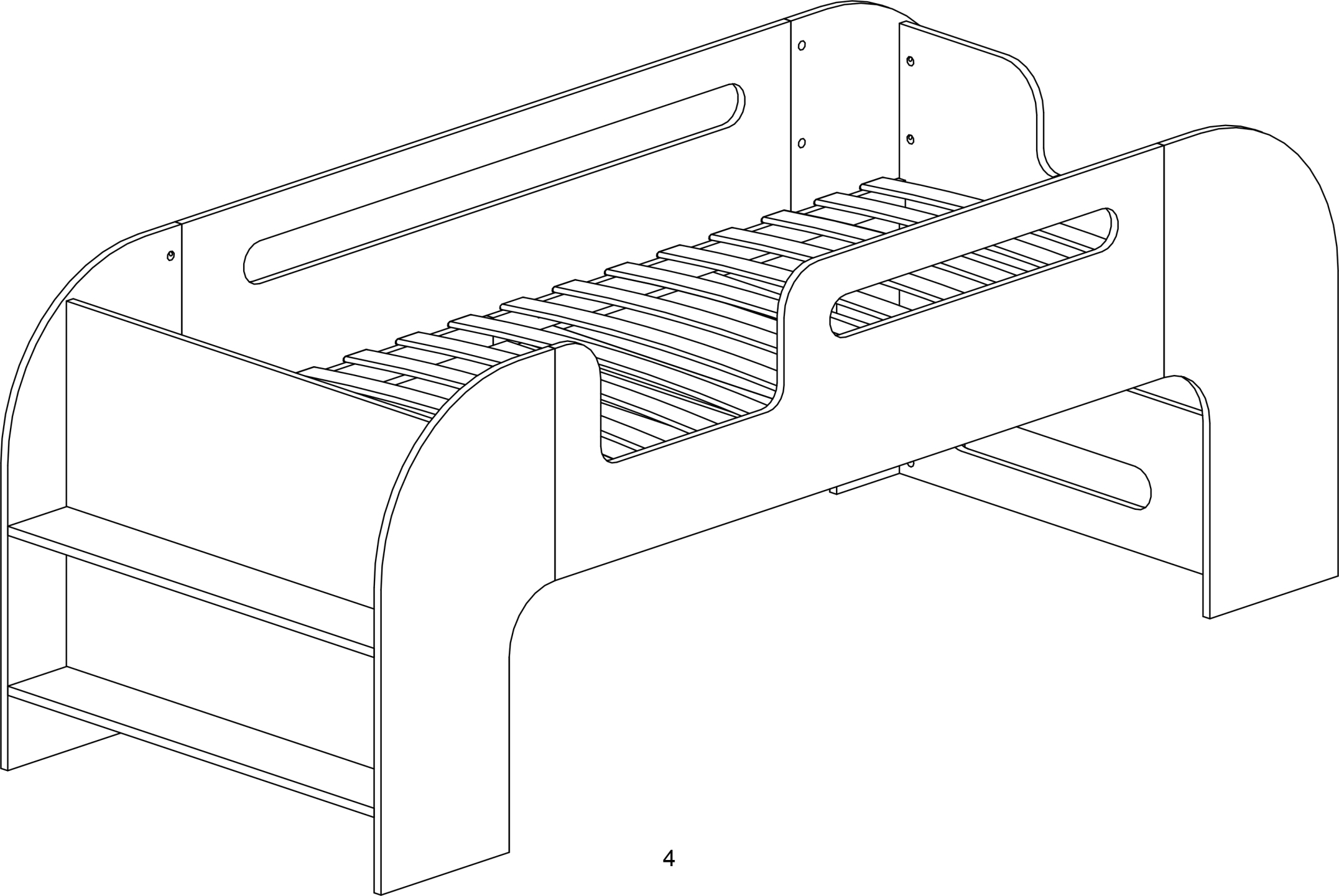


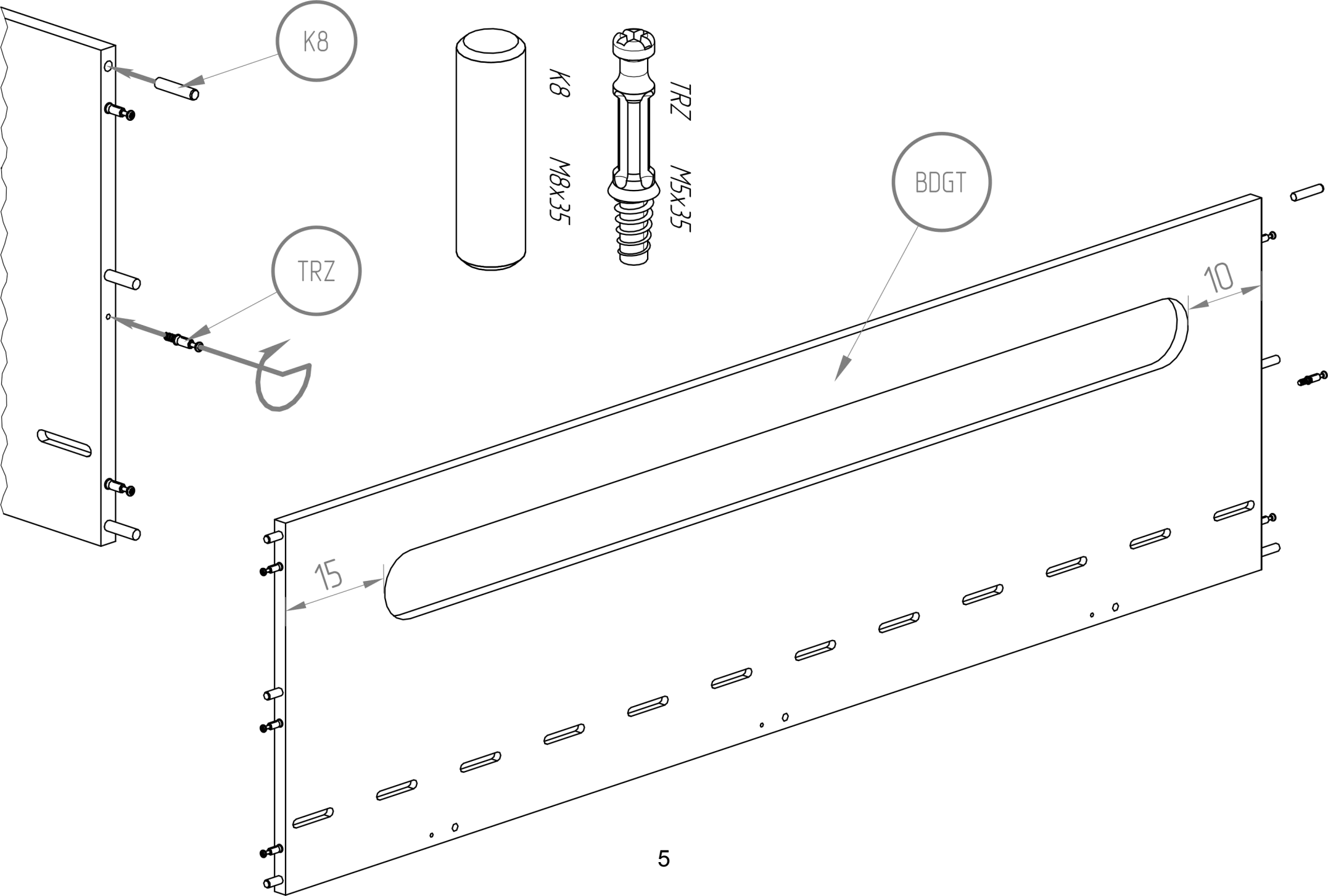


SCREWS	ELEMENTS
Mi - x64	BDGP - x1
TRZ - x64	BDGT - x1
K8 - x72	NGLP - x1
W25 - x24	NGLT - x1
W13 - x16	LDS - x4
	LKS - x3
	ST - x12-16



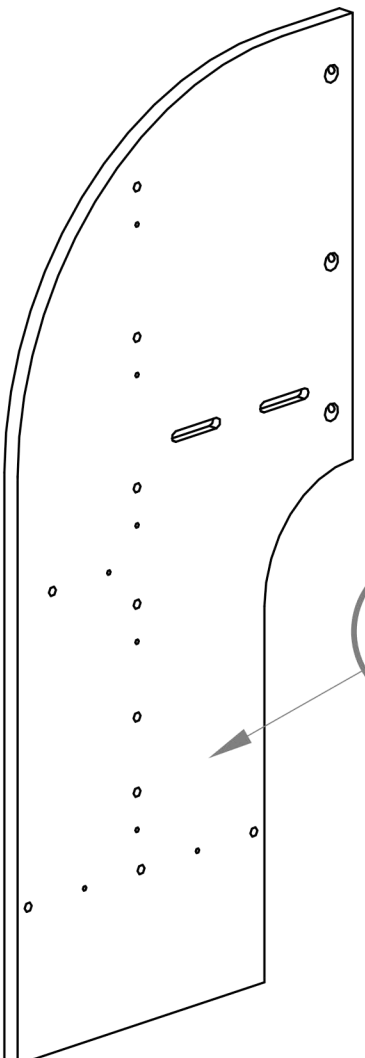
-
- NGPP - x1*
 - NGPT - x1*
 - BKW - x1*
 - BKD - x1*
 - BKK - x1*
 - BKDR - x1*
 - PKK - x1*
 - PKD - x1*



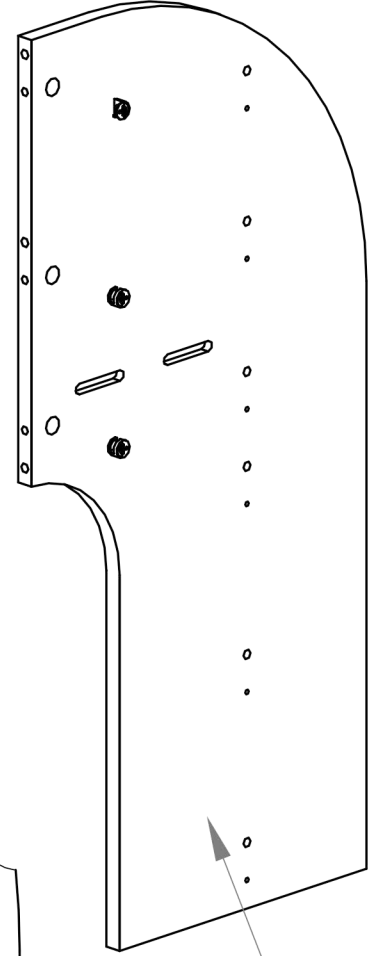
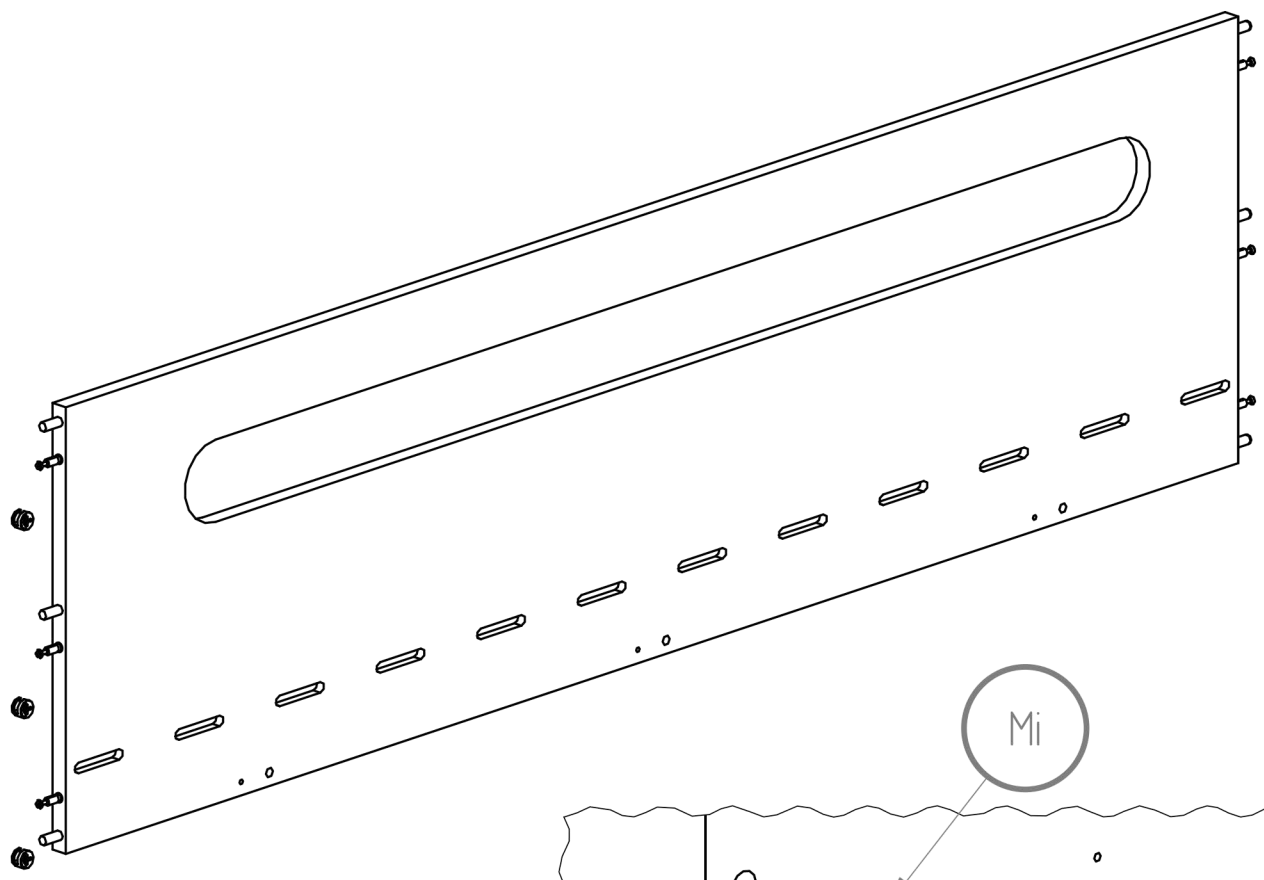




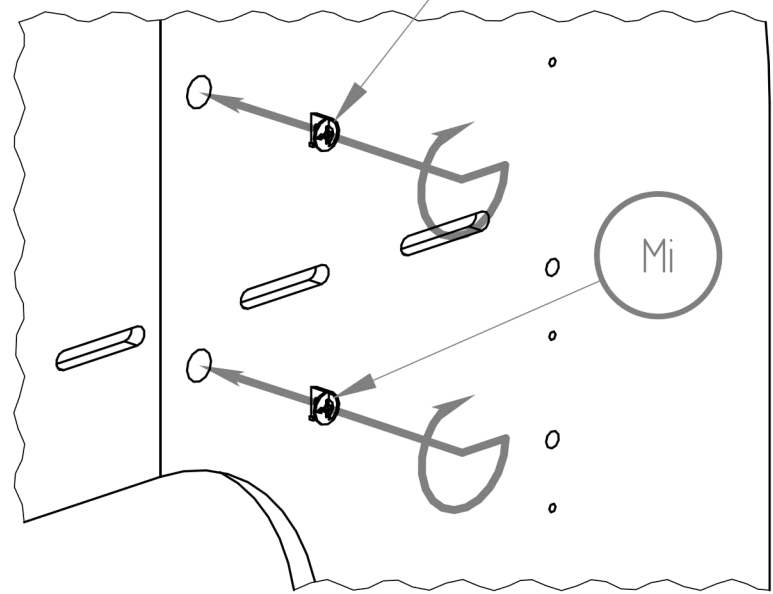
Mi



NGLT

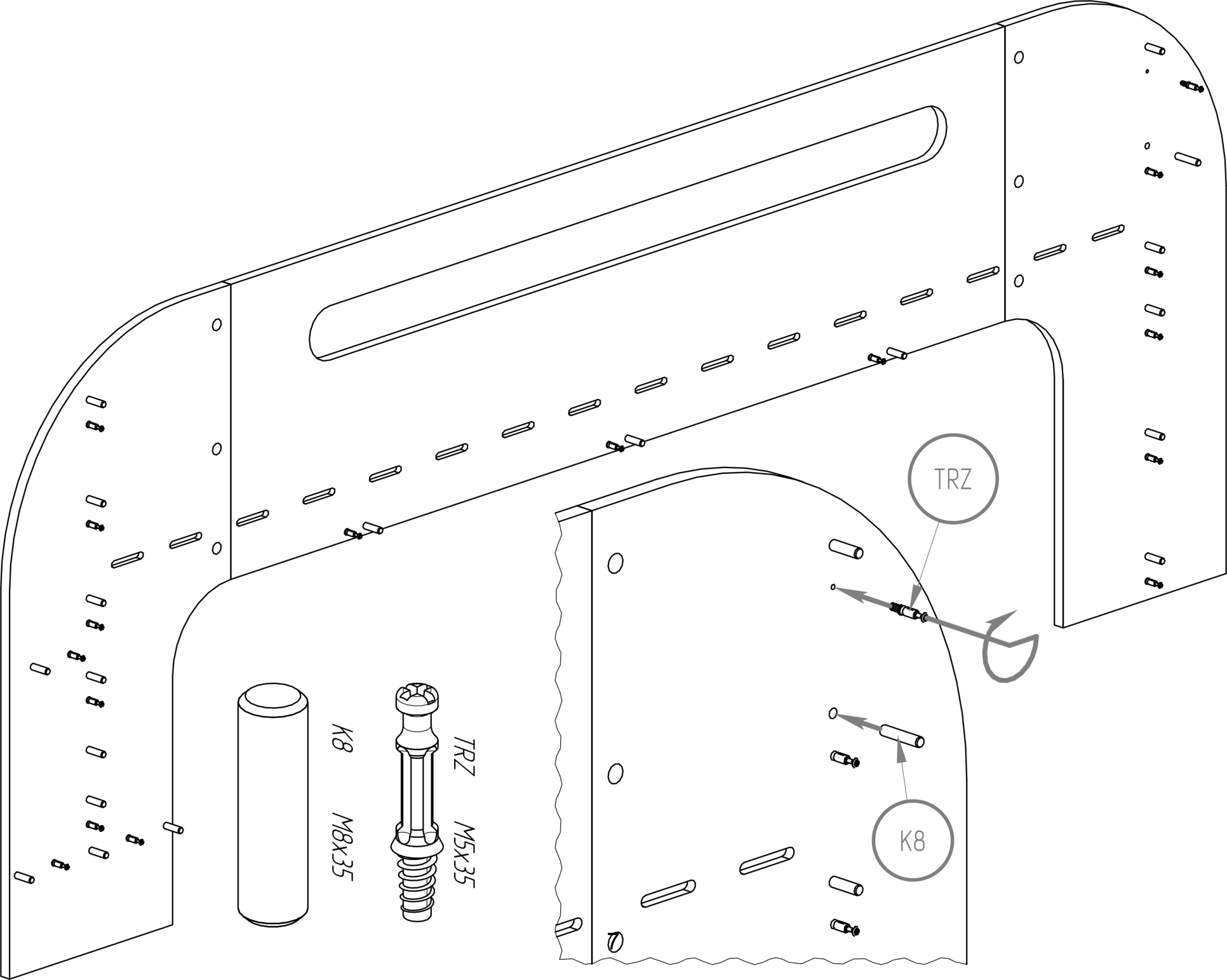


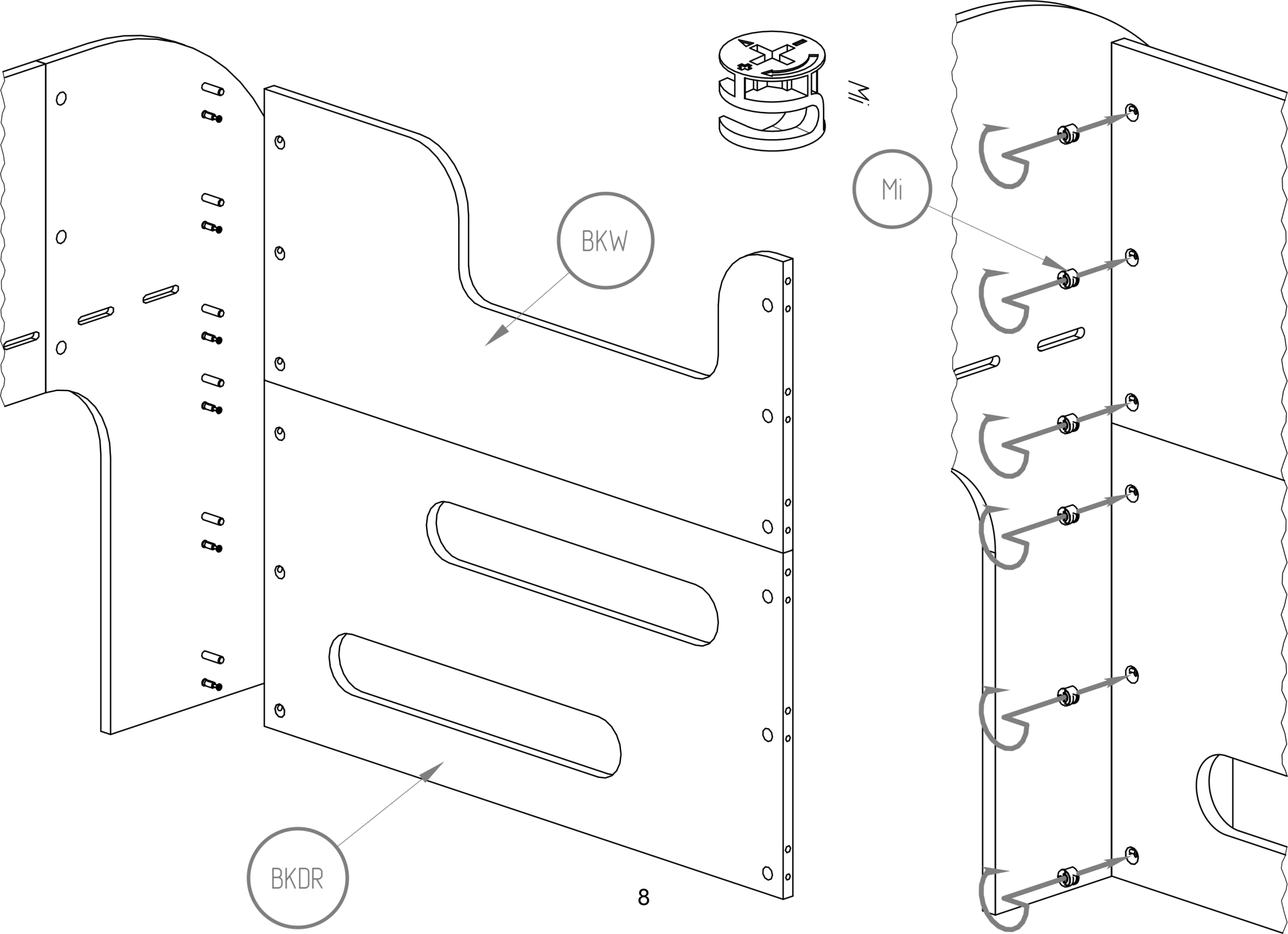
NGPT

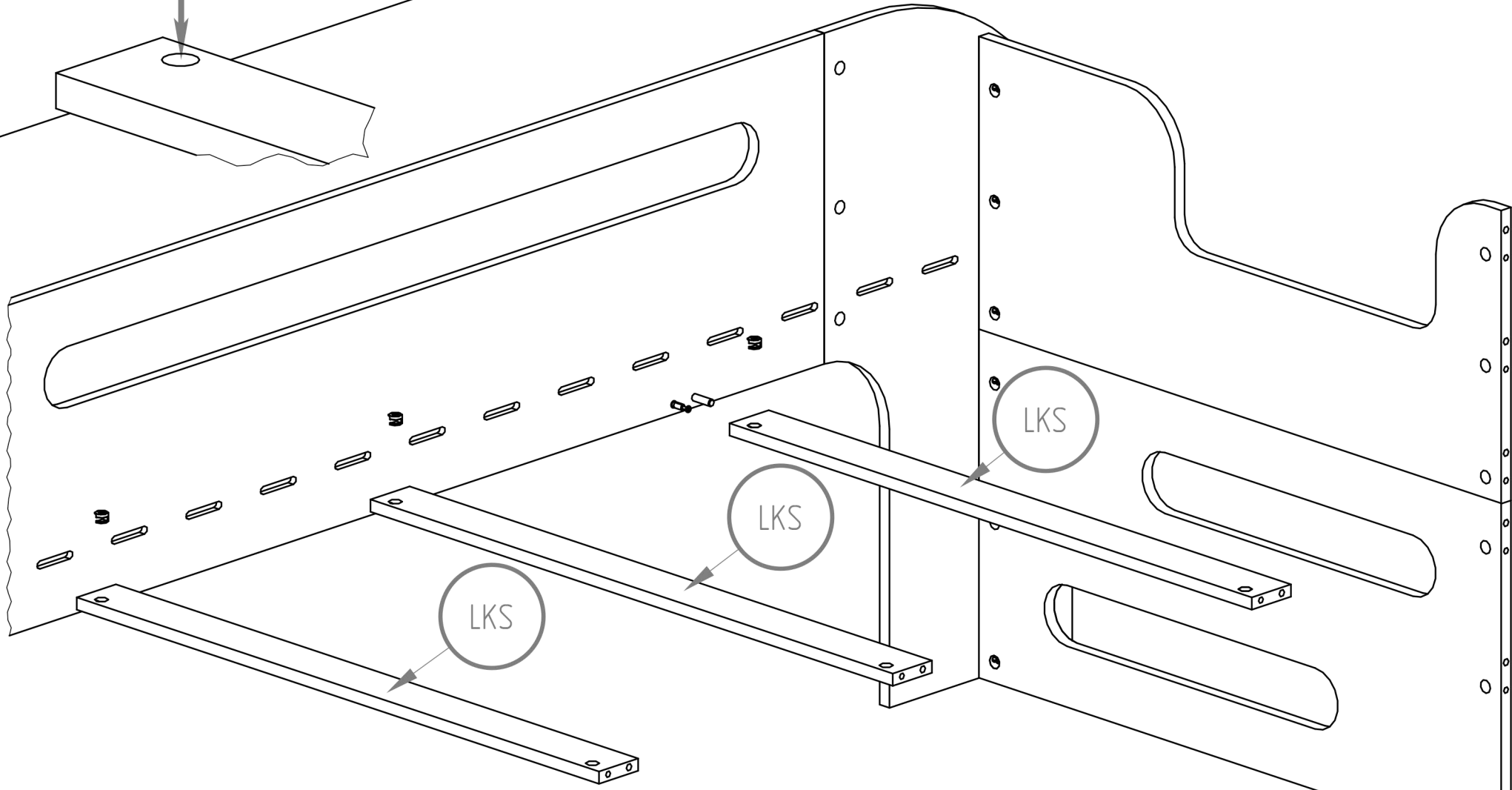
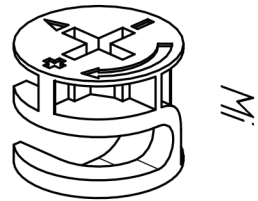
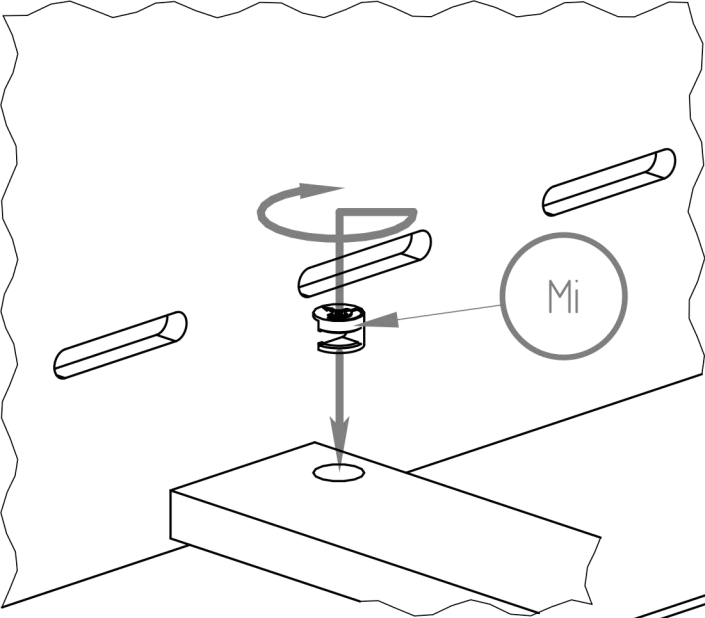


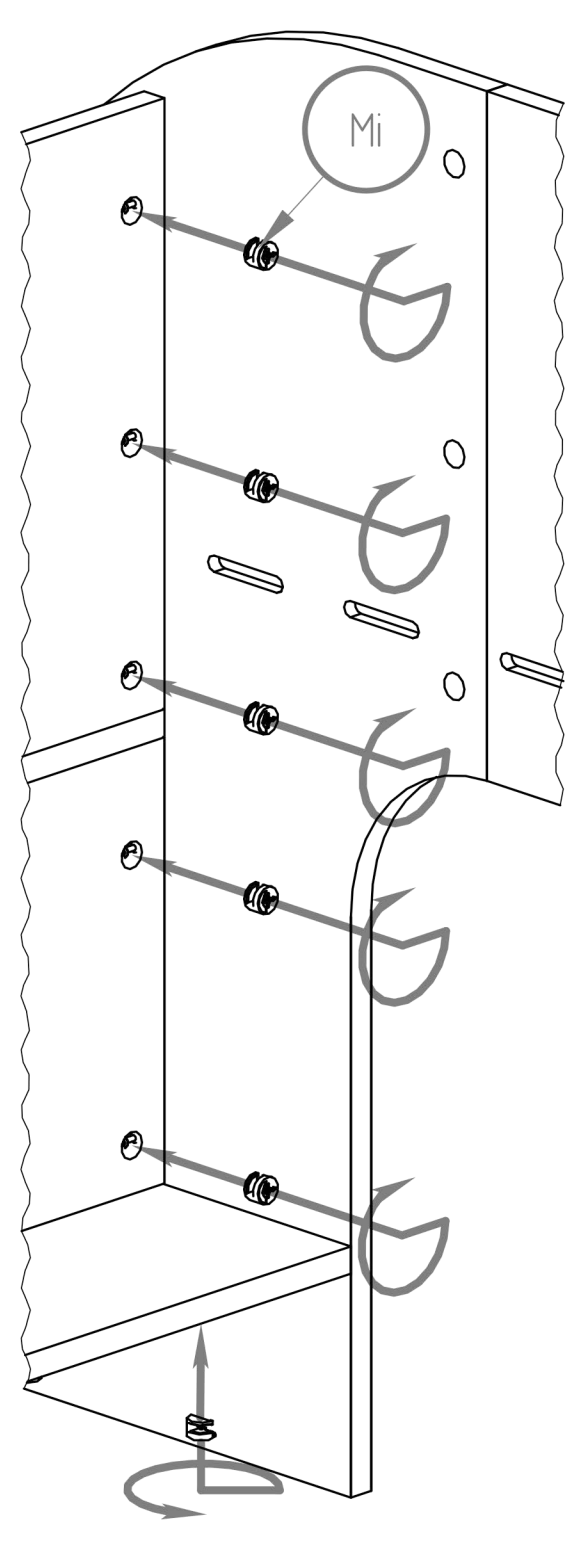
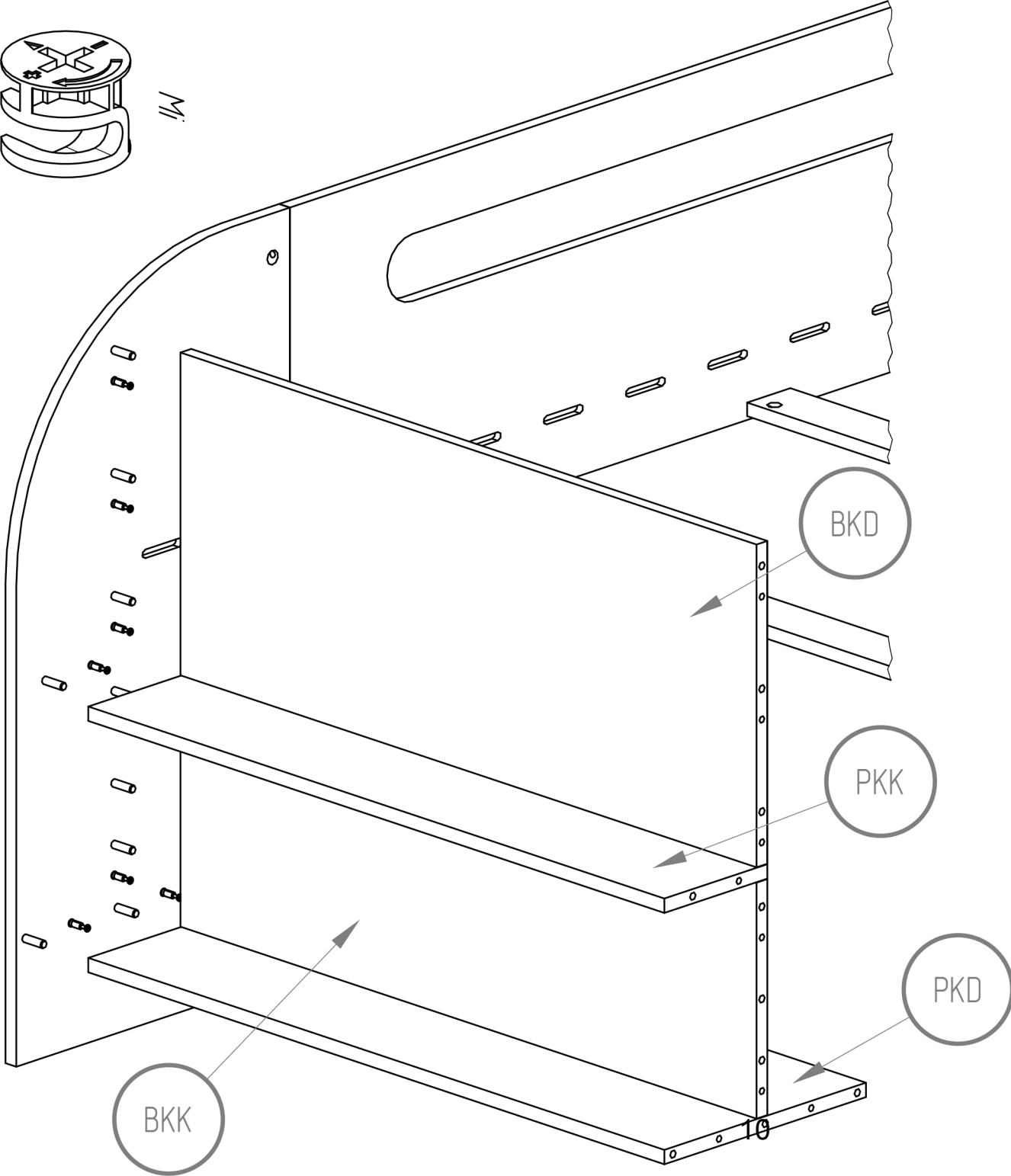
Mi

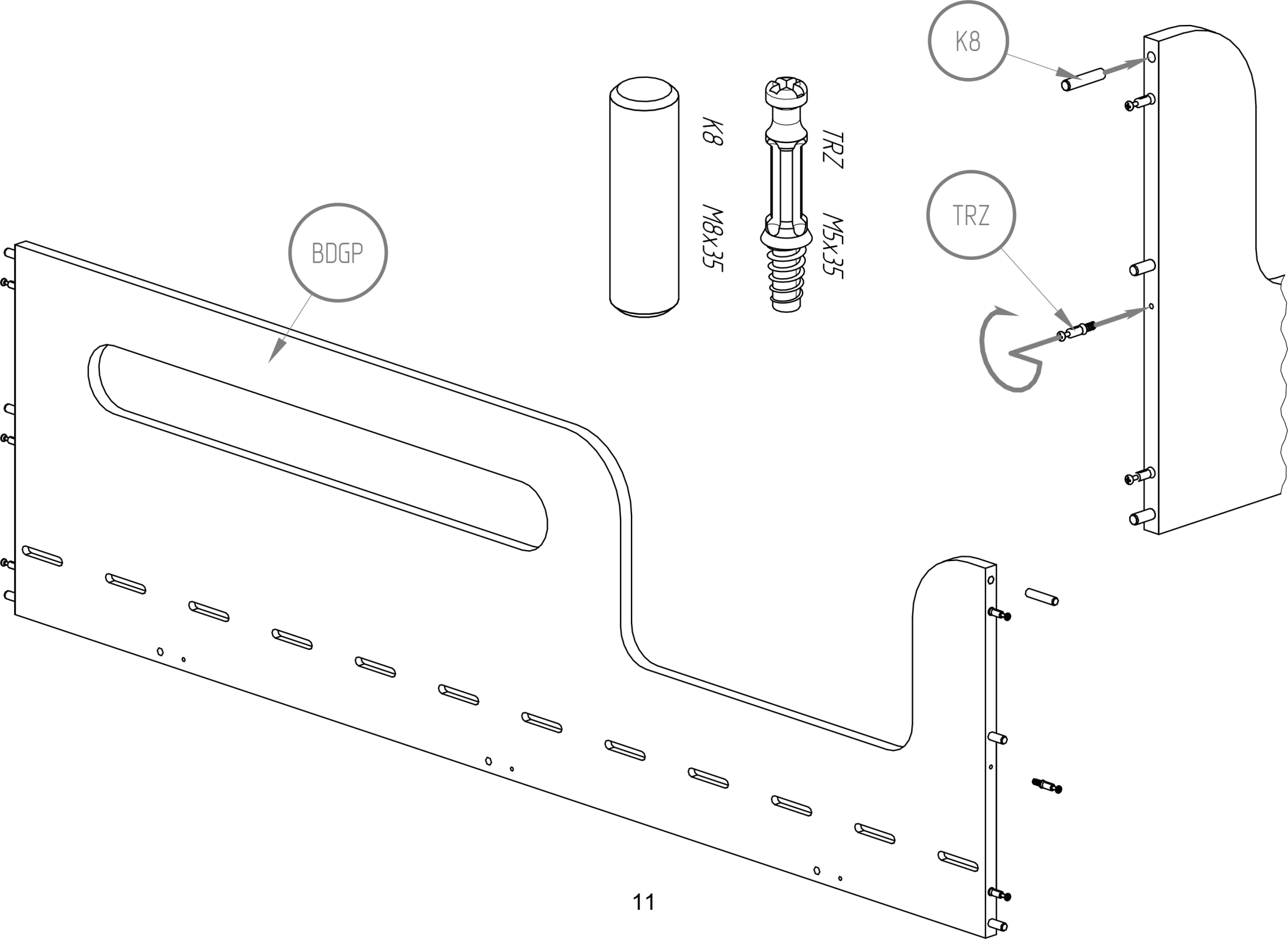
Mi

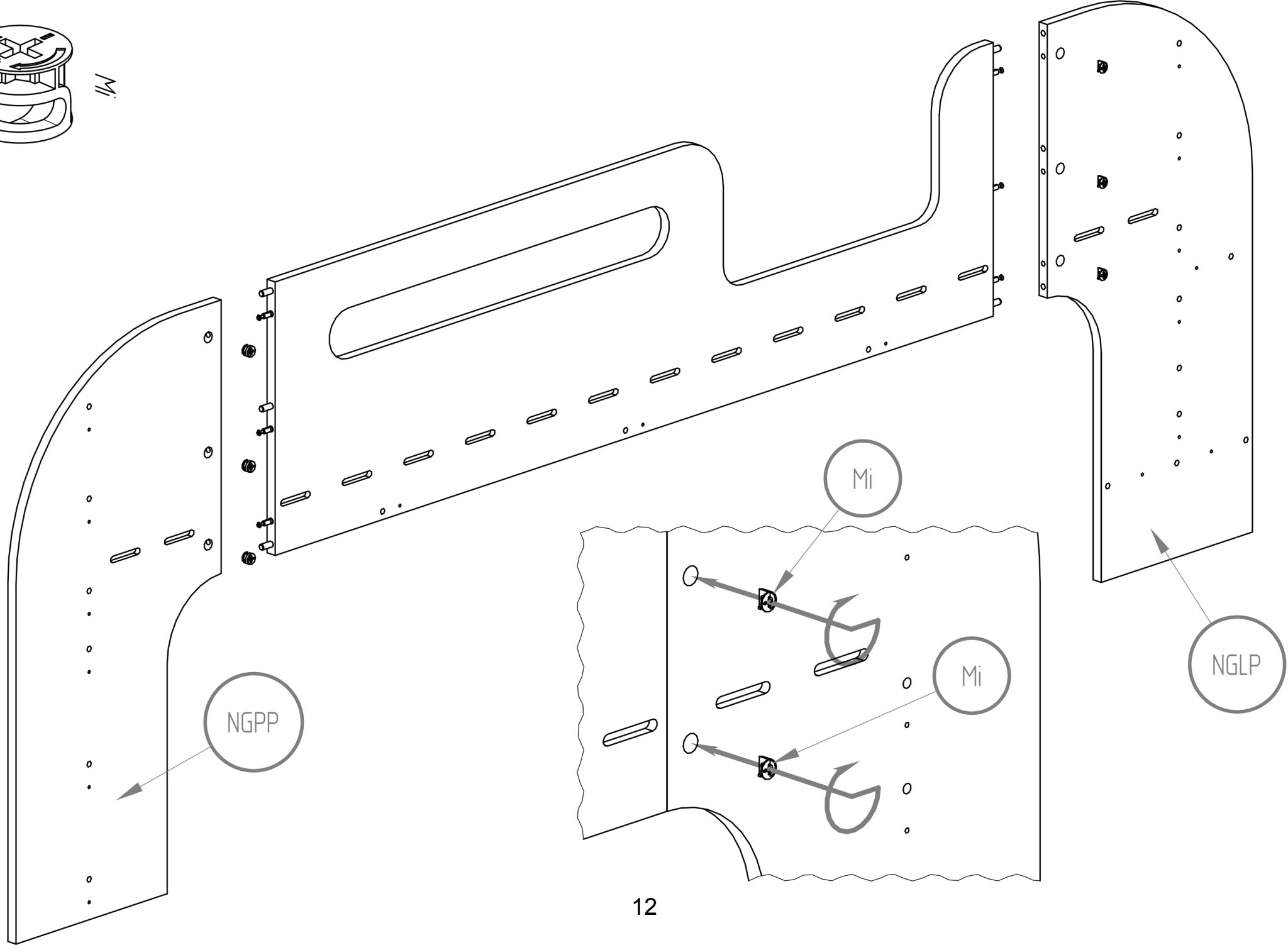
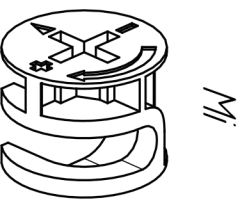


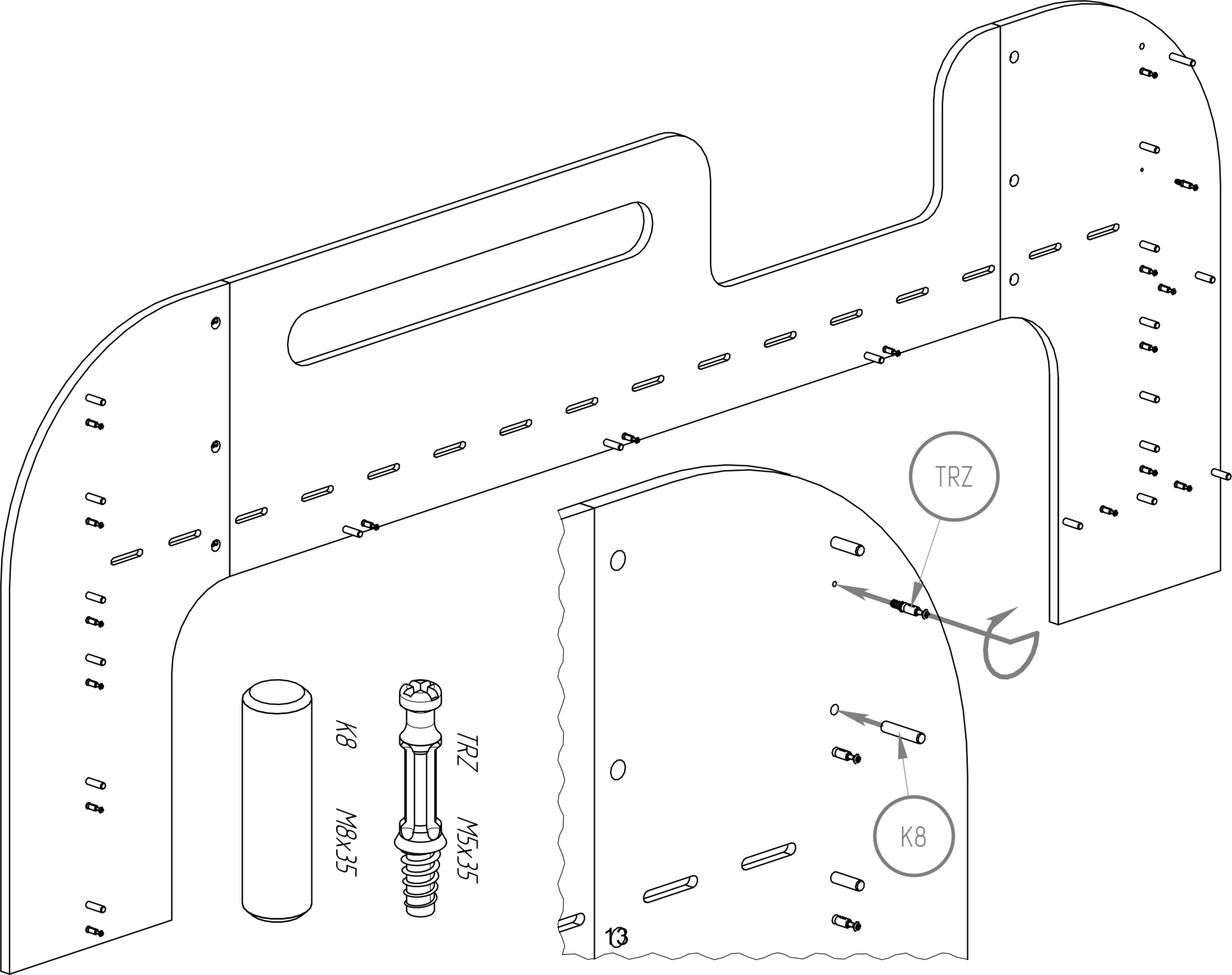


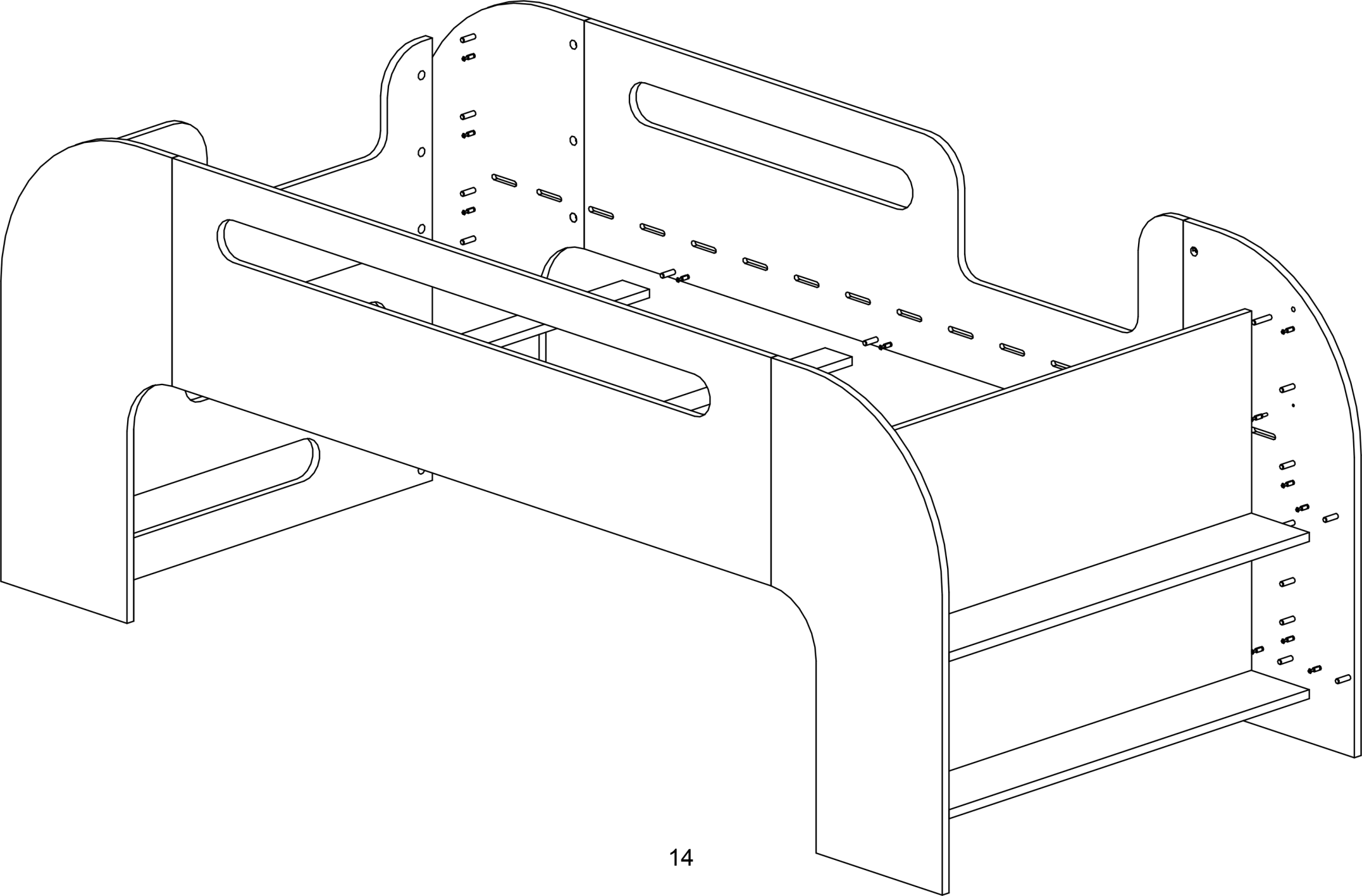


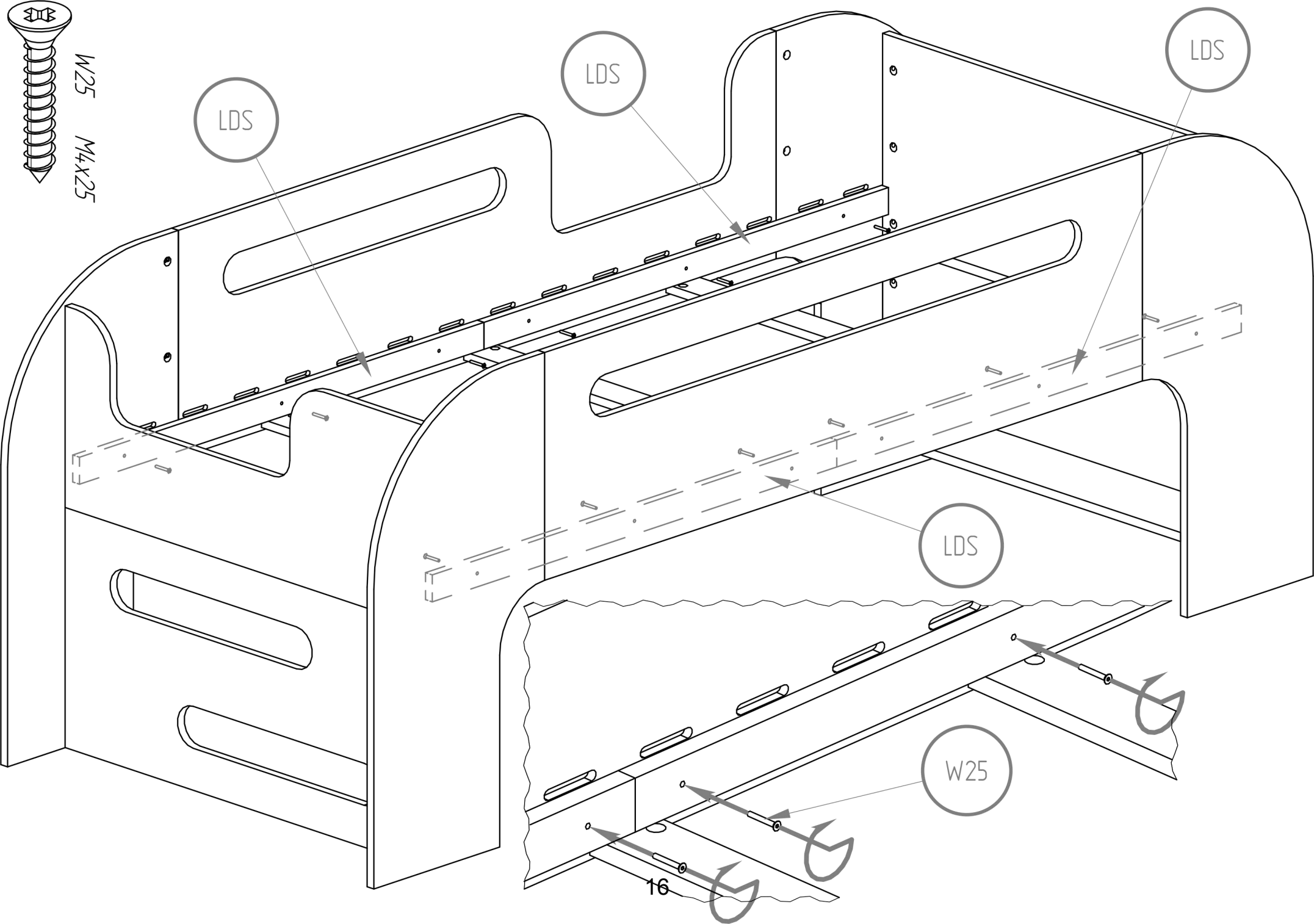


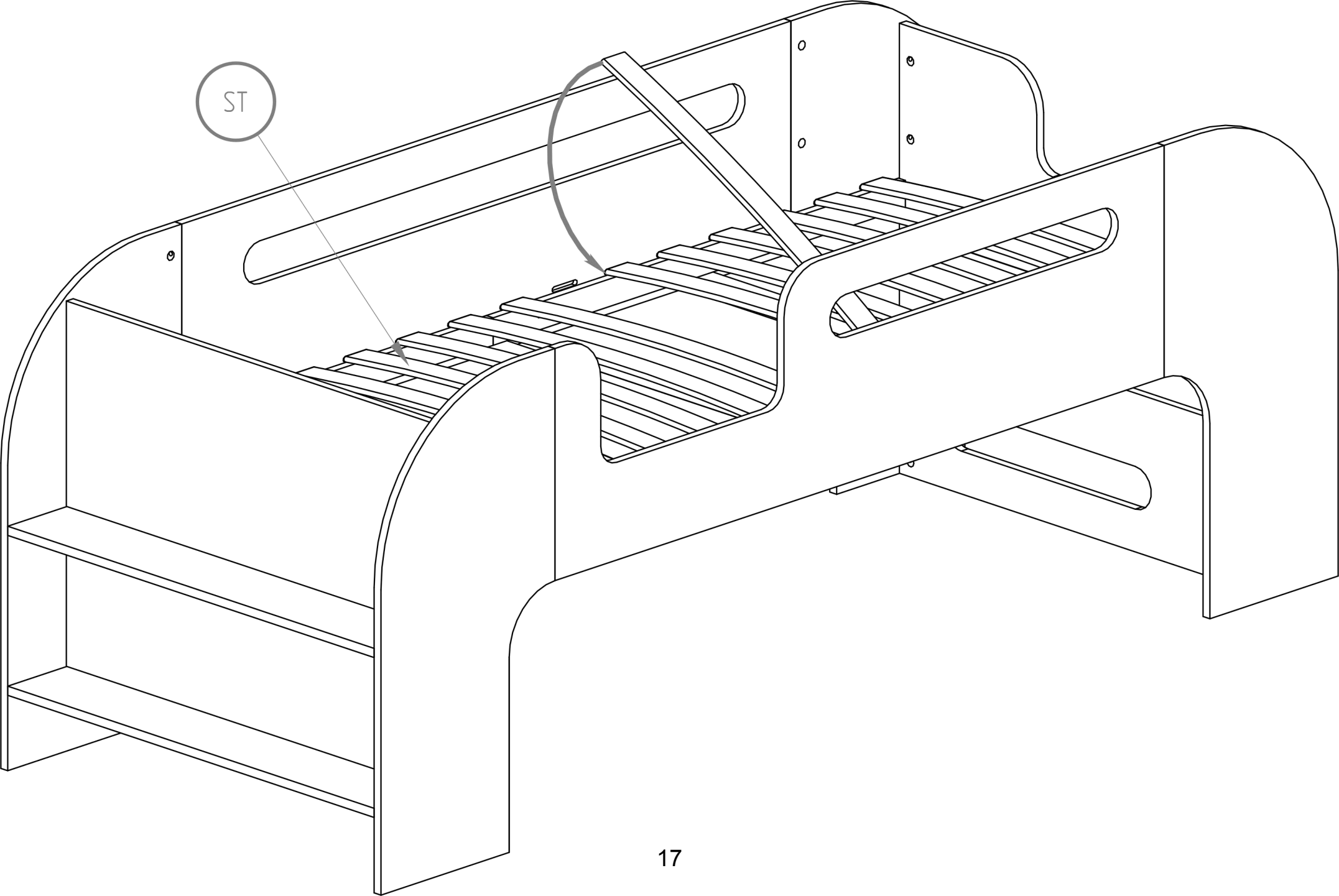




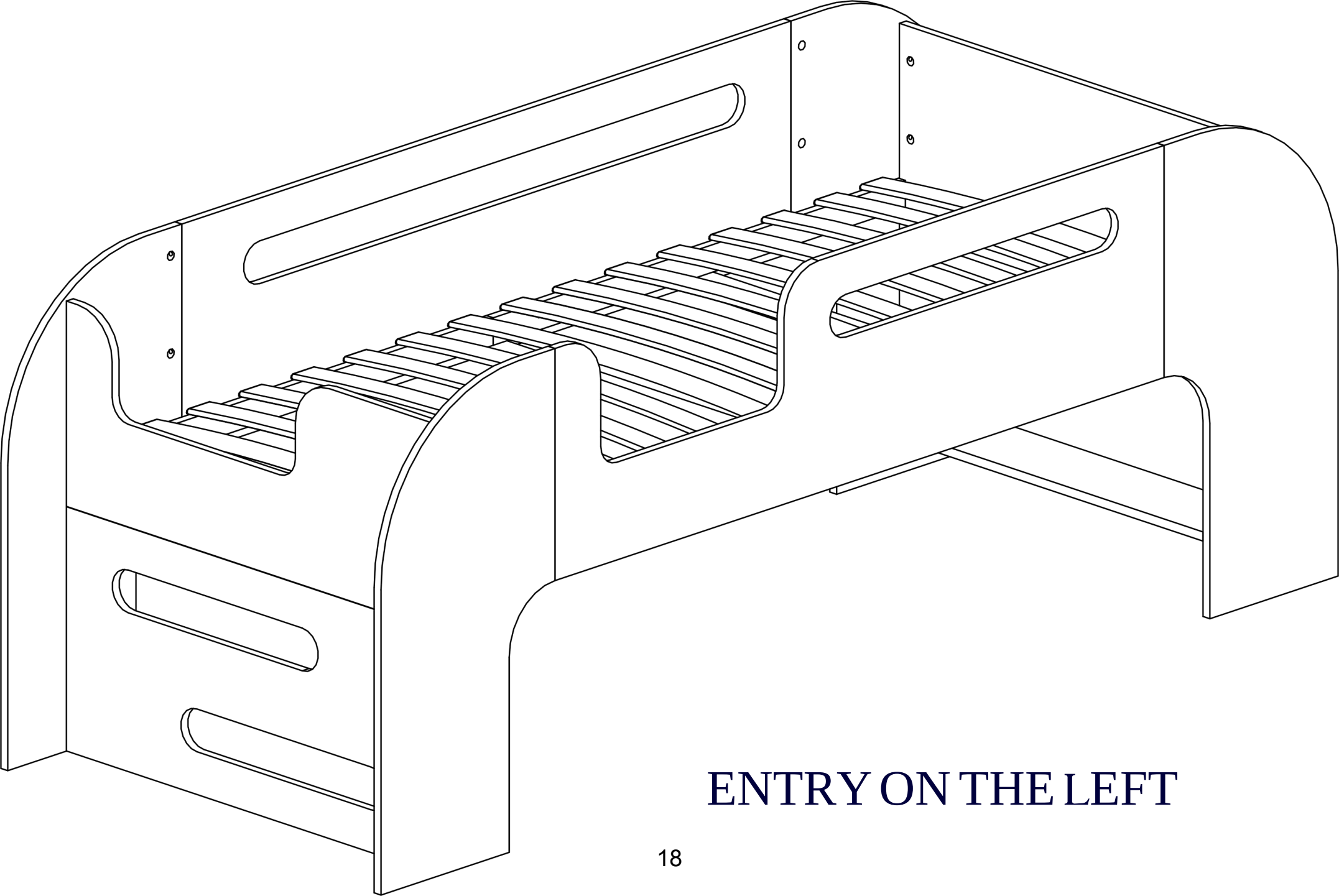




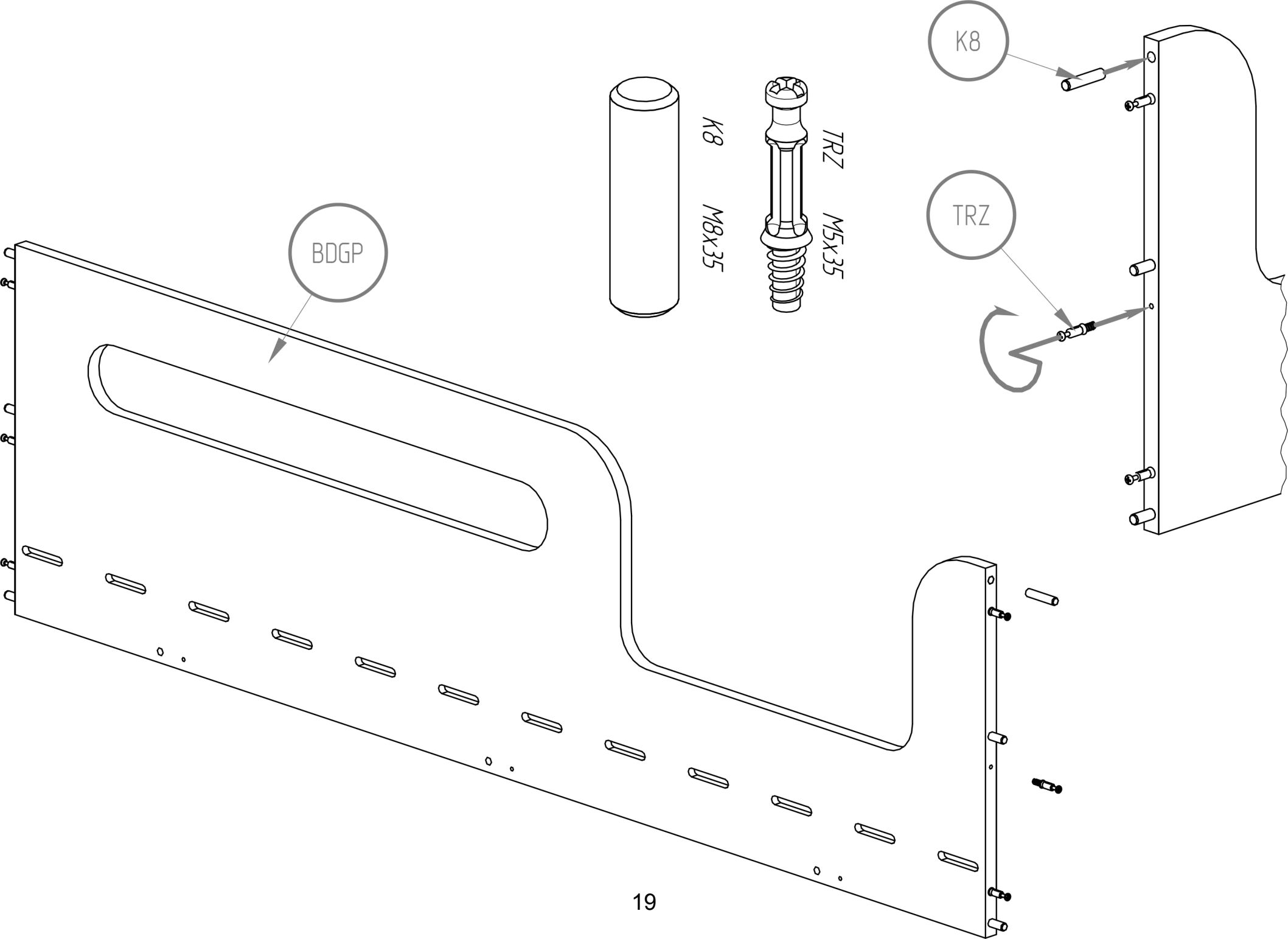




ST

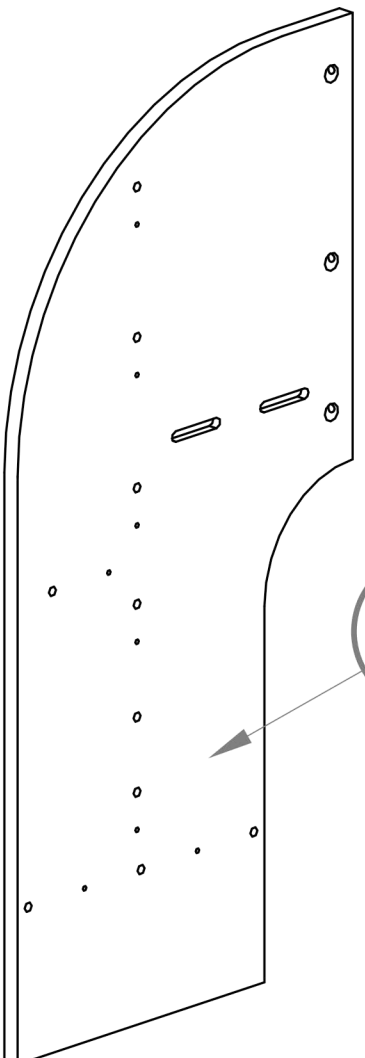


ENTRY ON THE LEFT

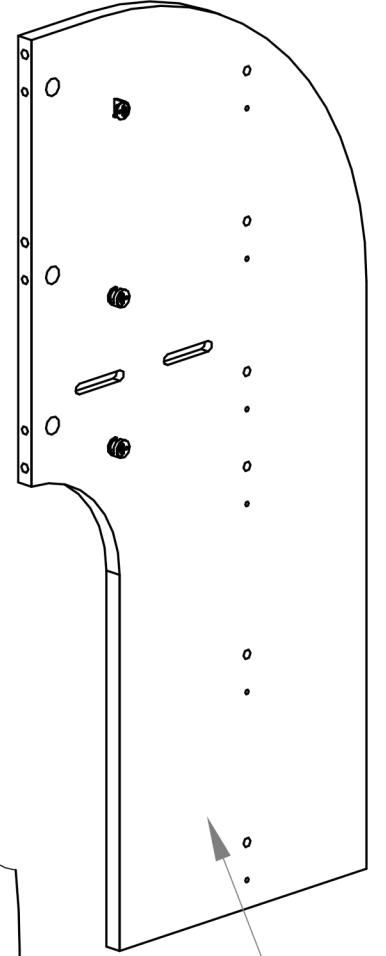
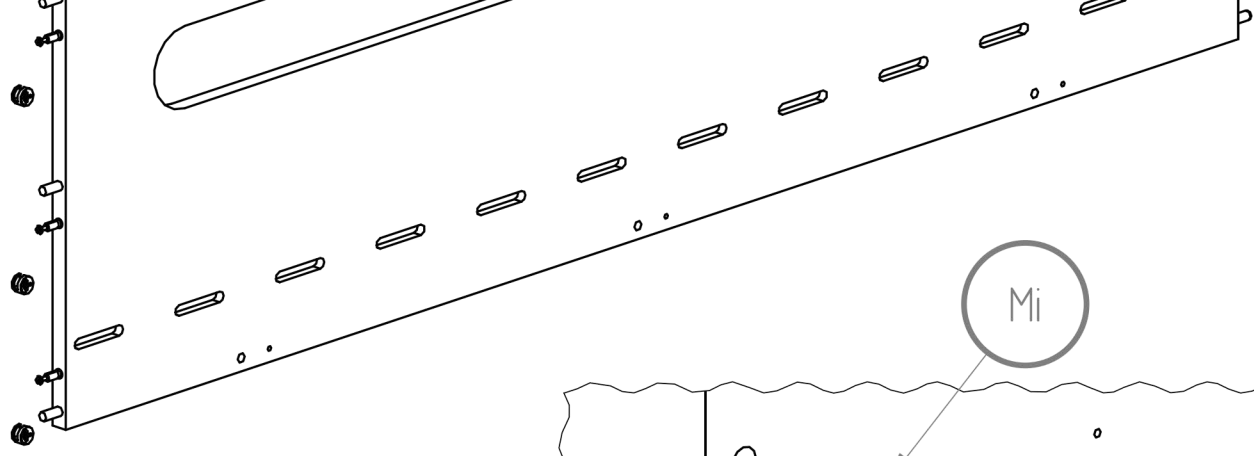




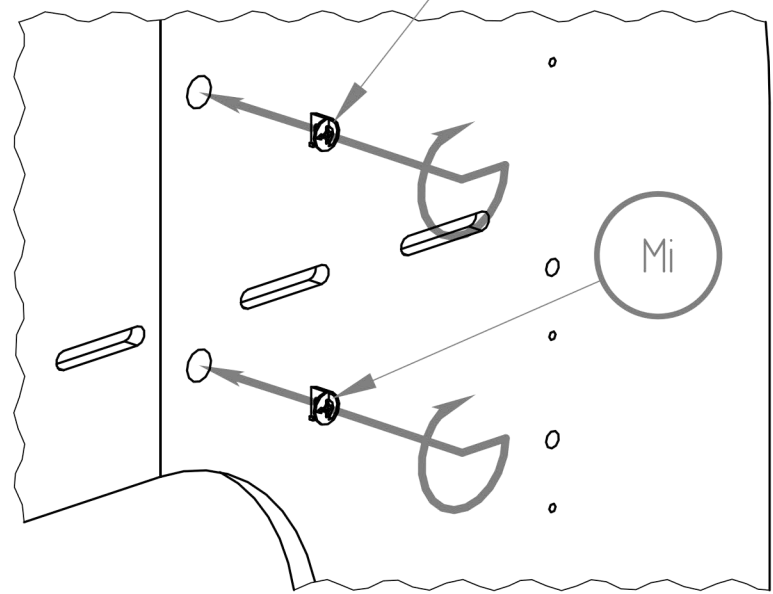
Mi



NGLT

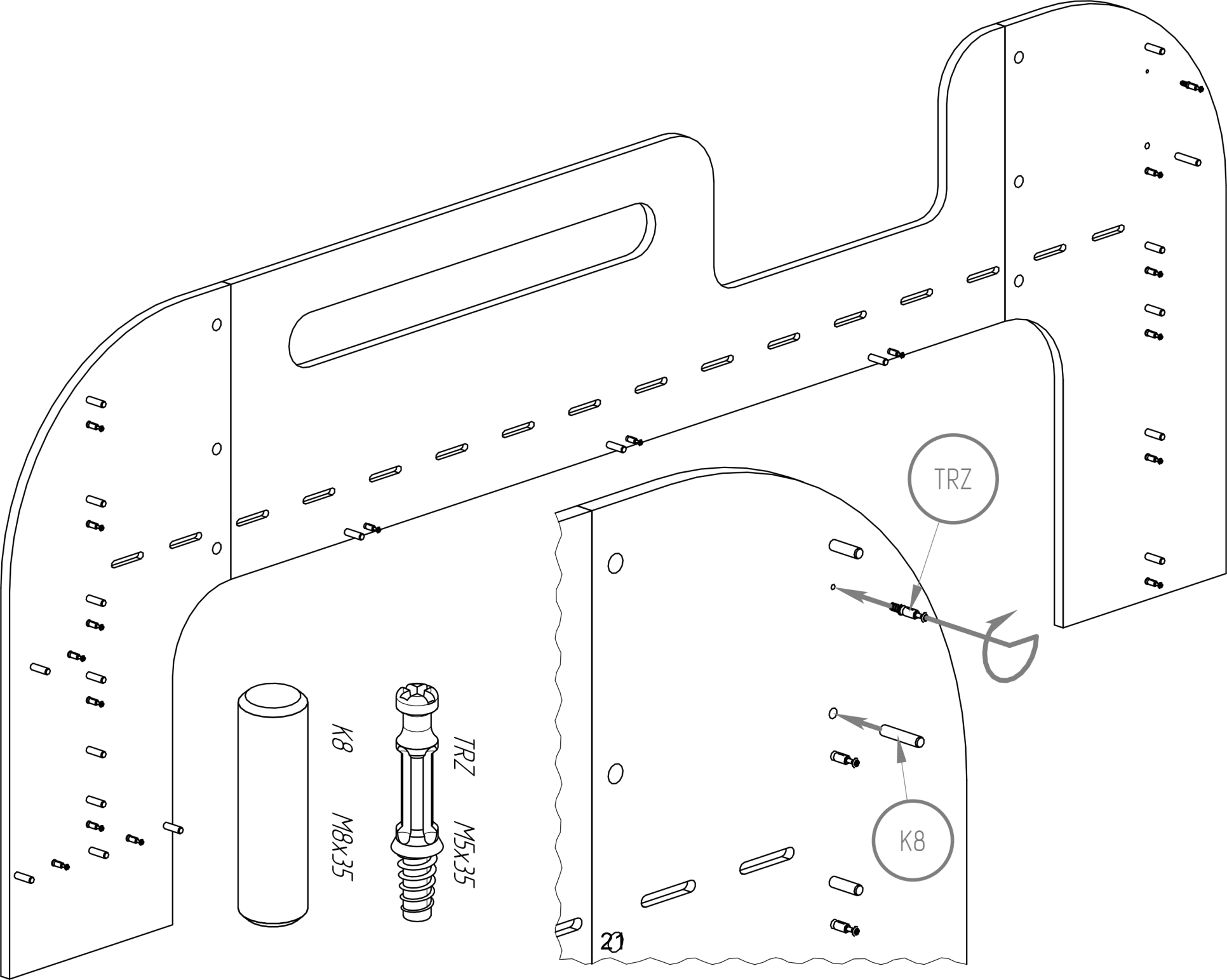


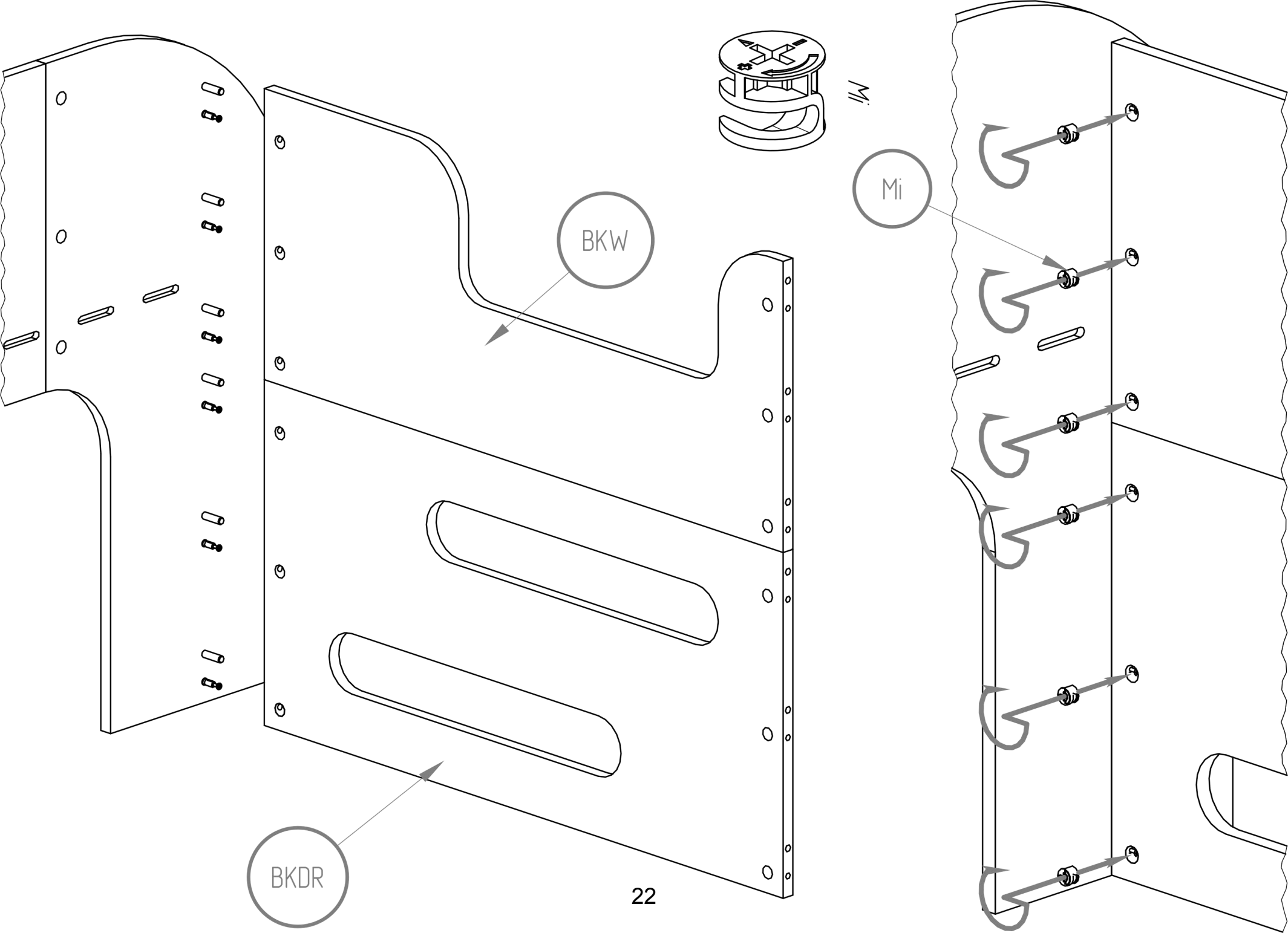
NGPT

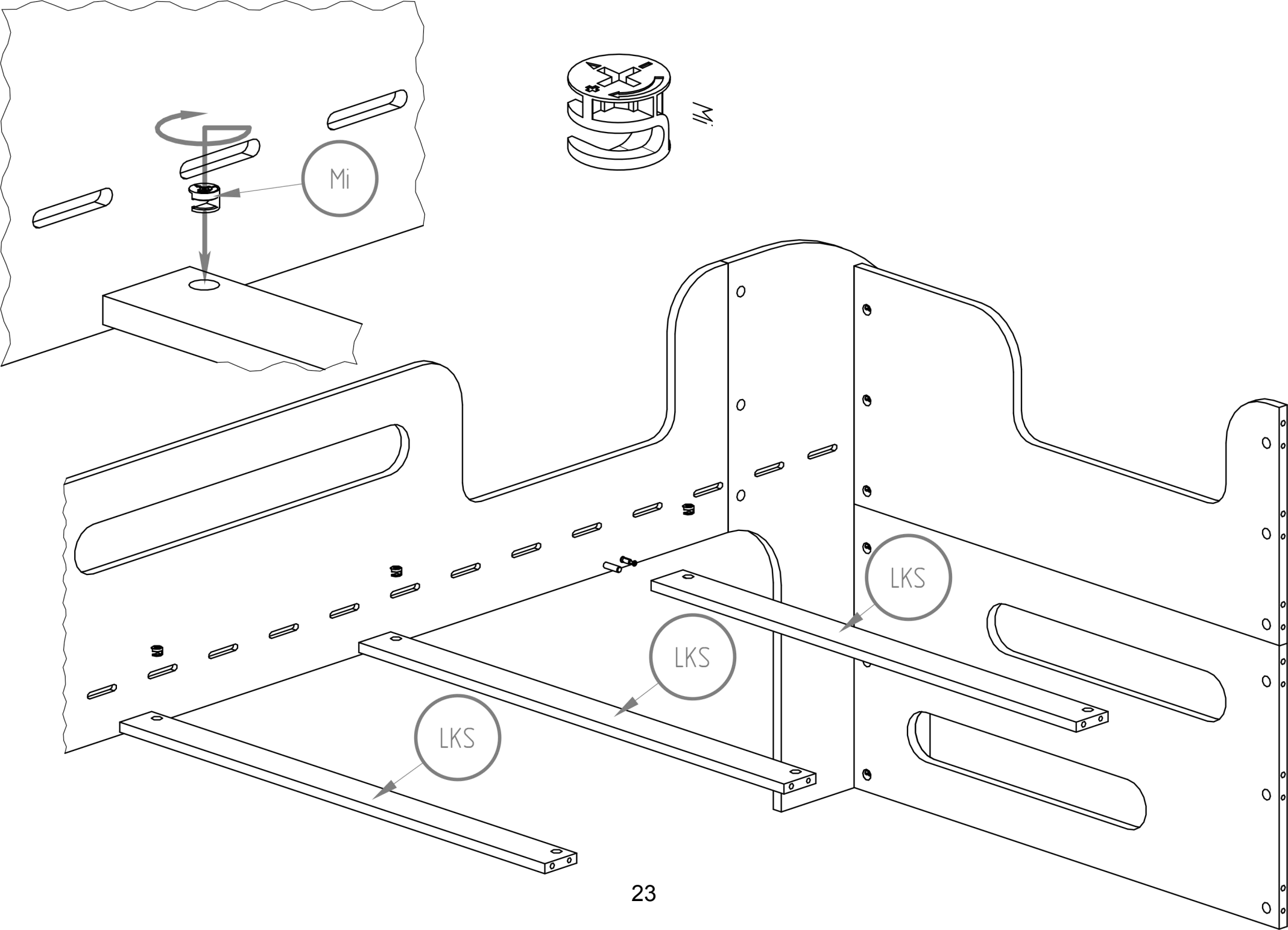


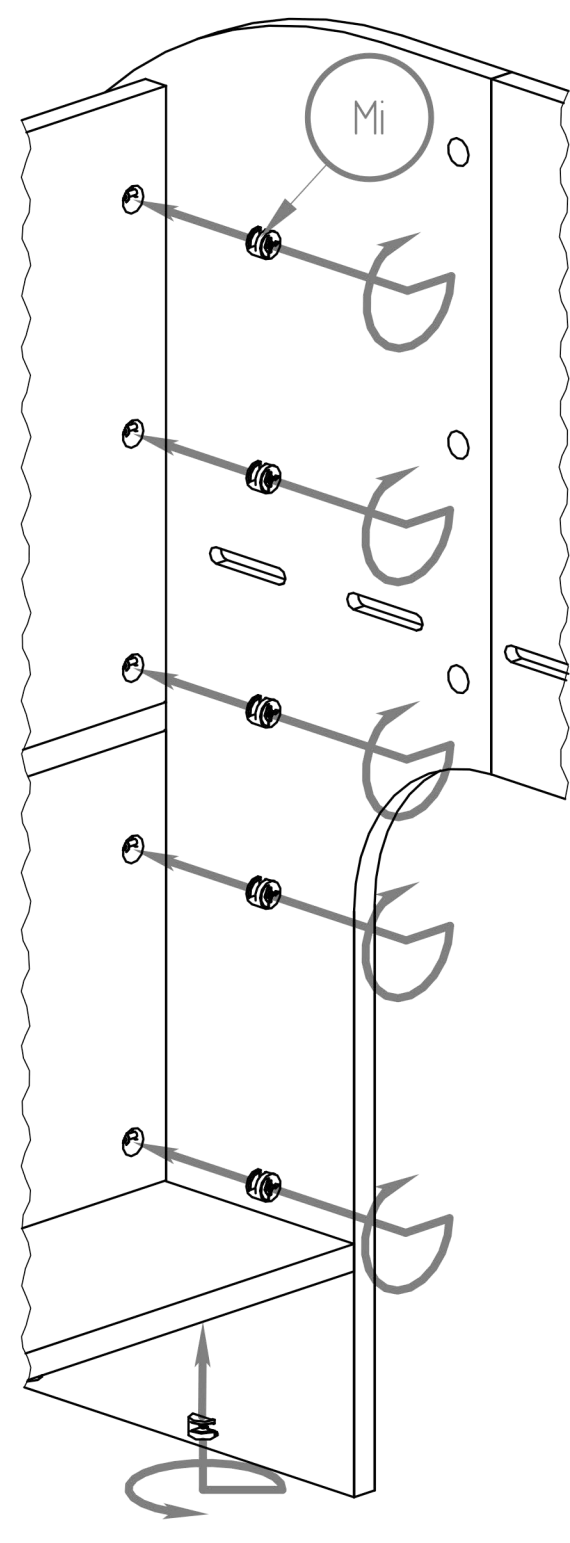
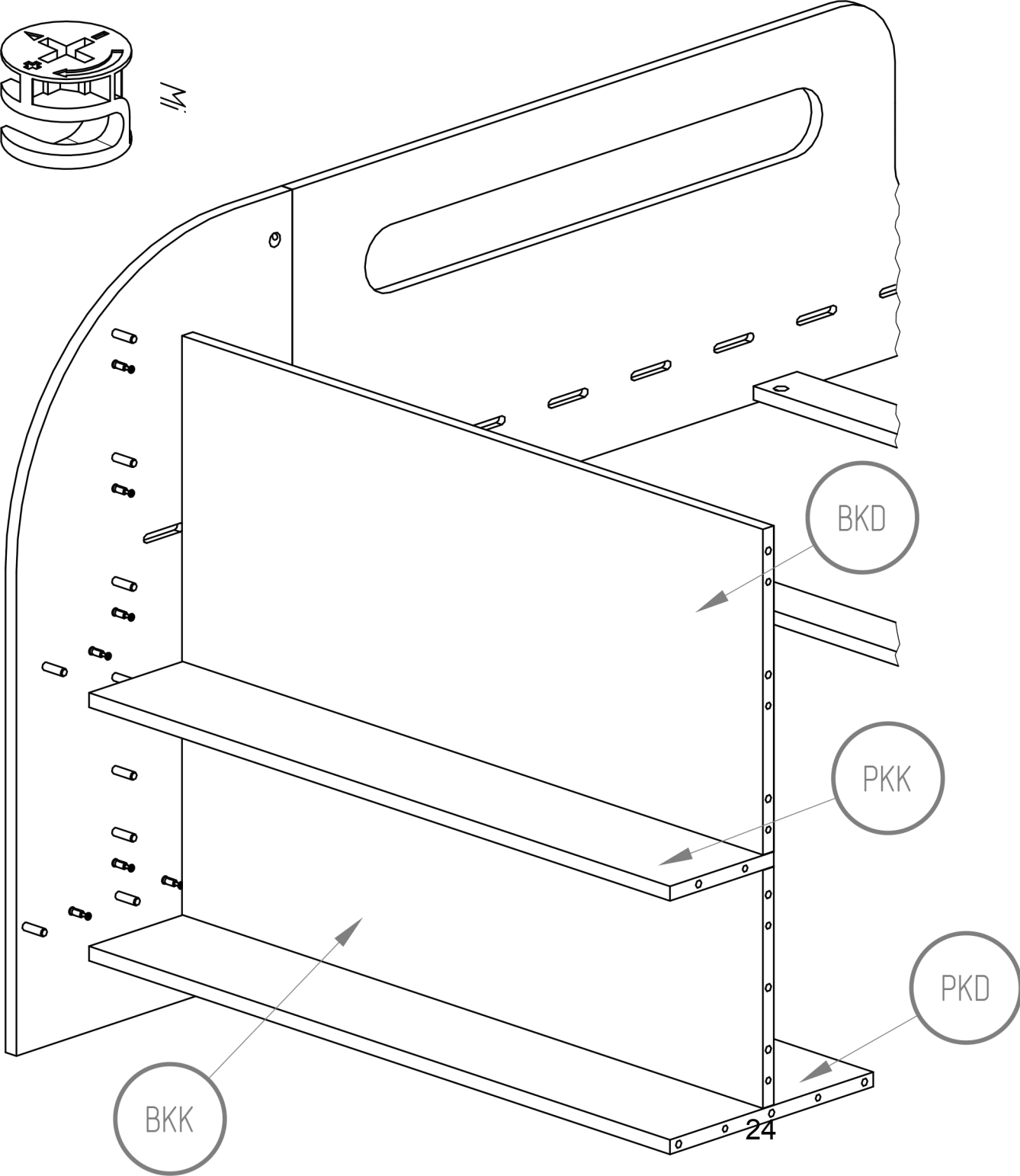
Mi

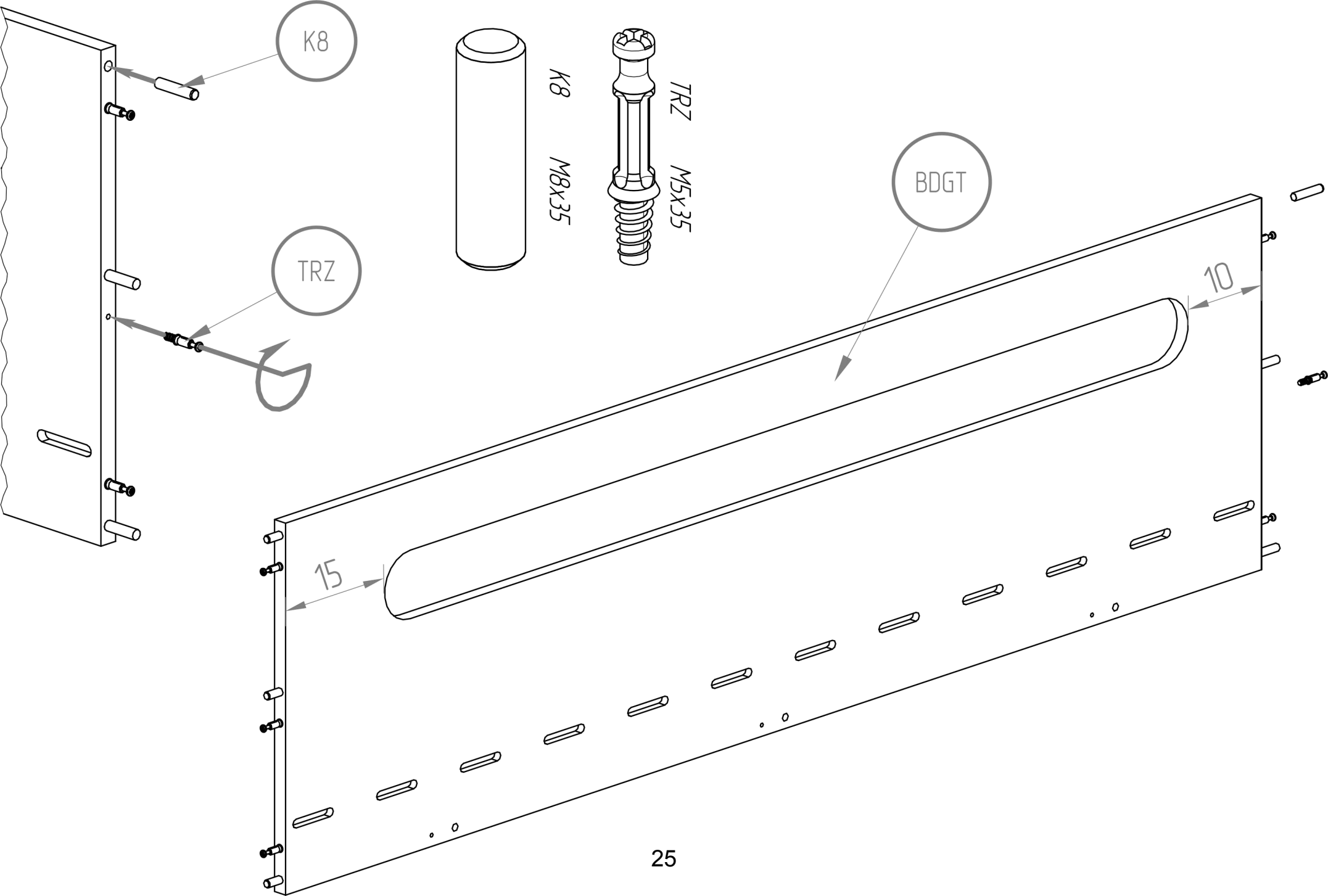
Mi











K8

TRZ

BDGT

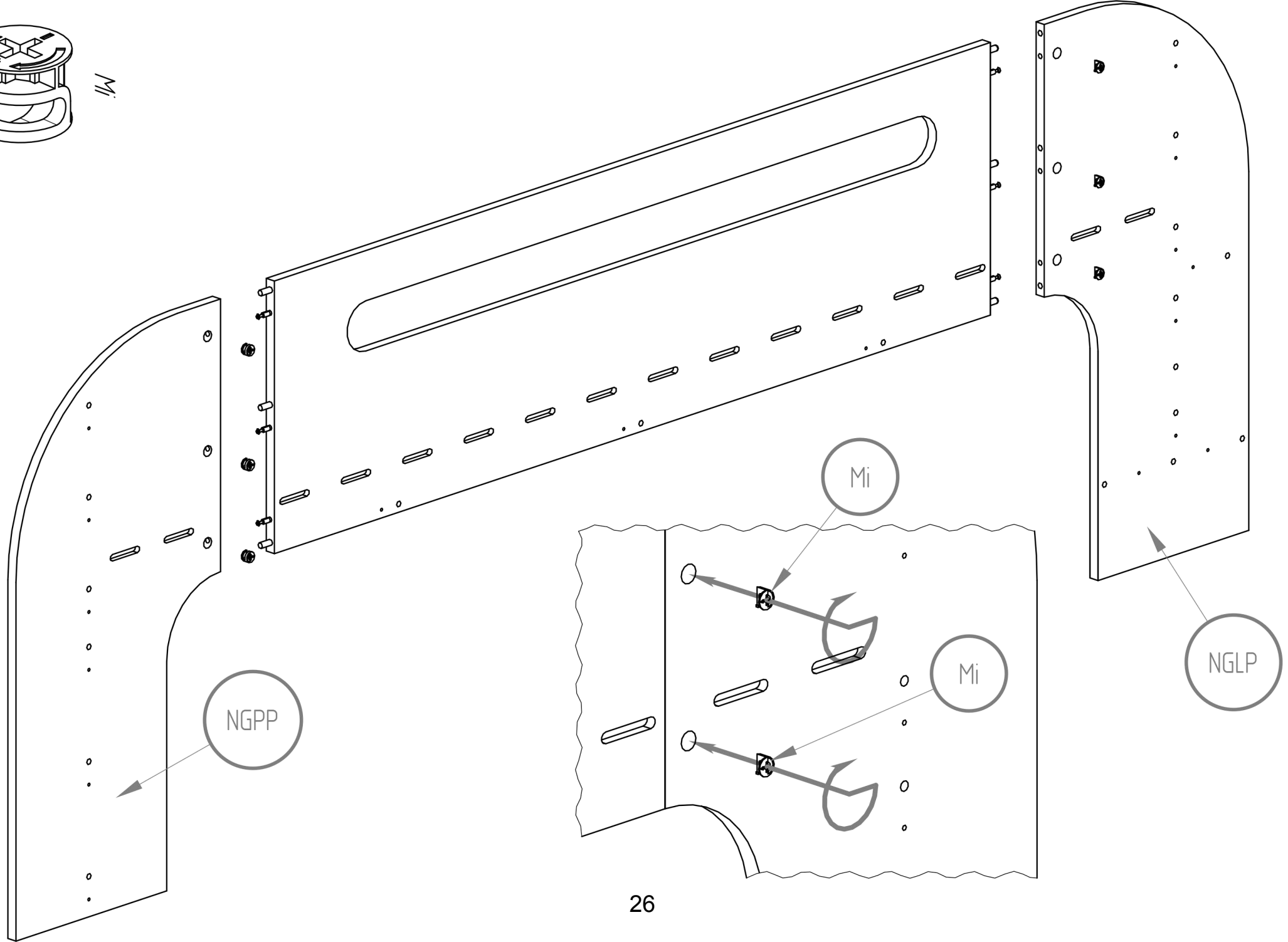
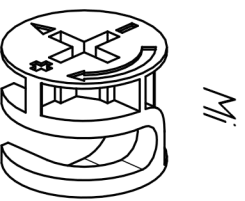
K8
M8x35

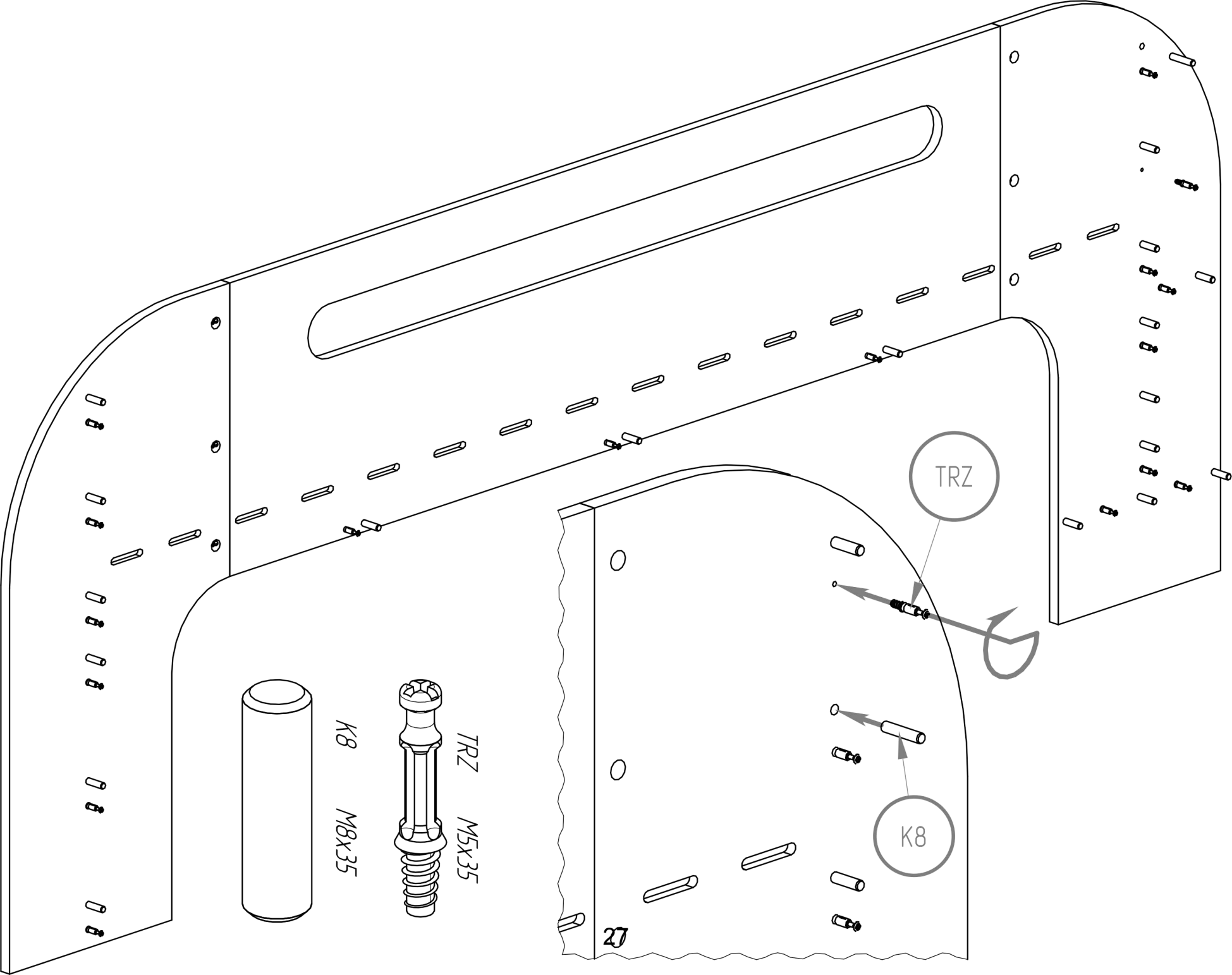
TRZ
M5x35

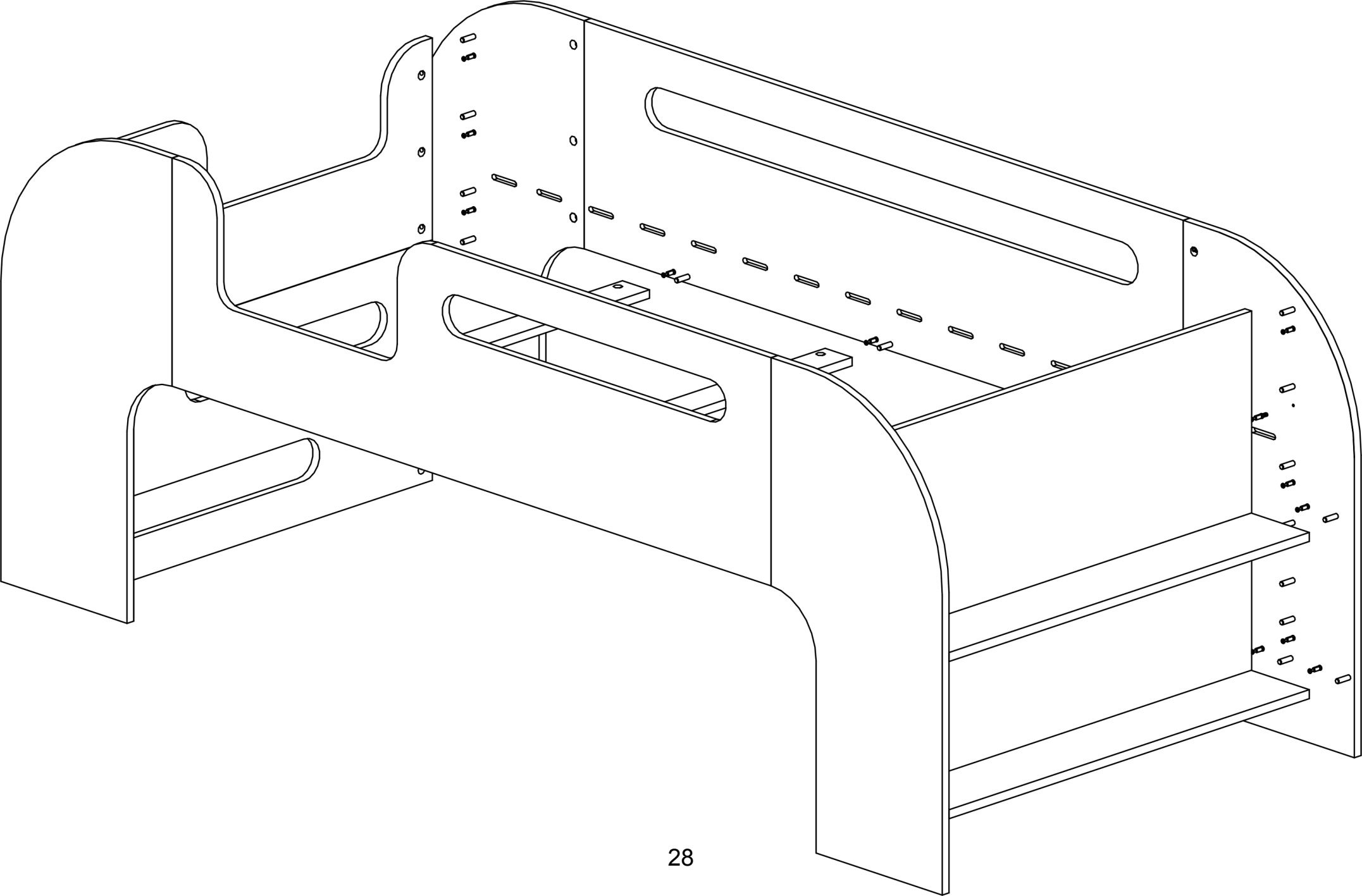
15

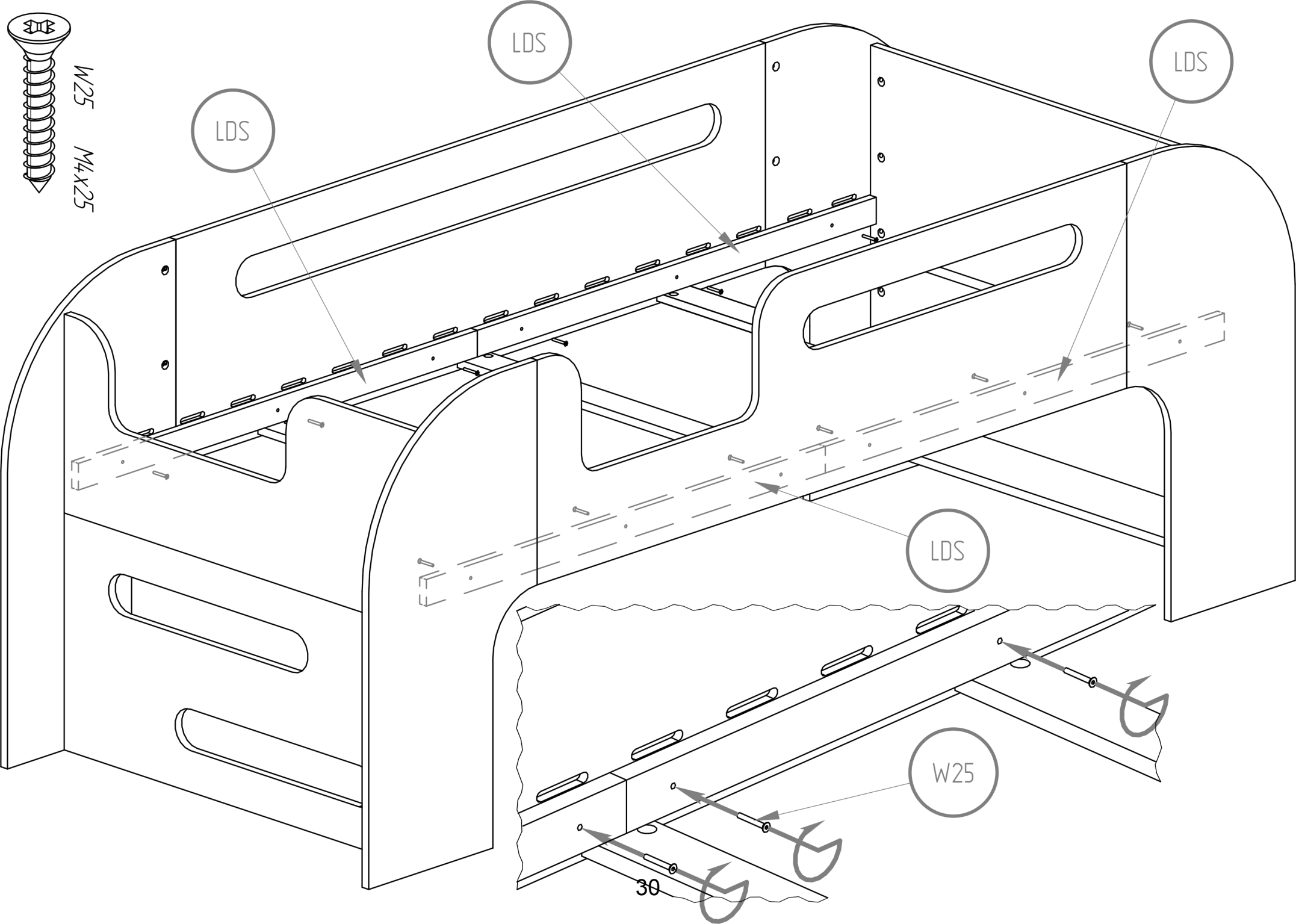
10

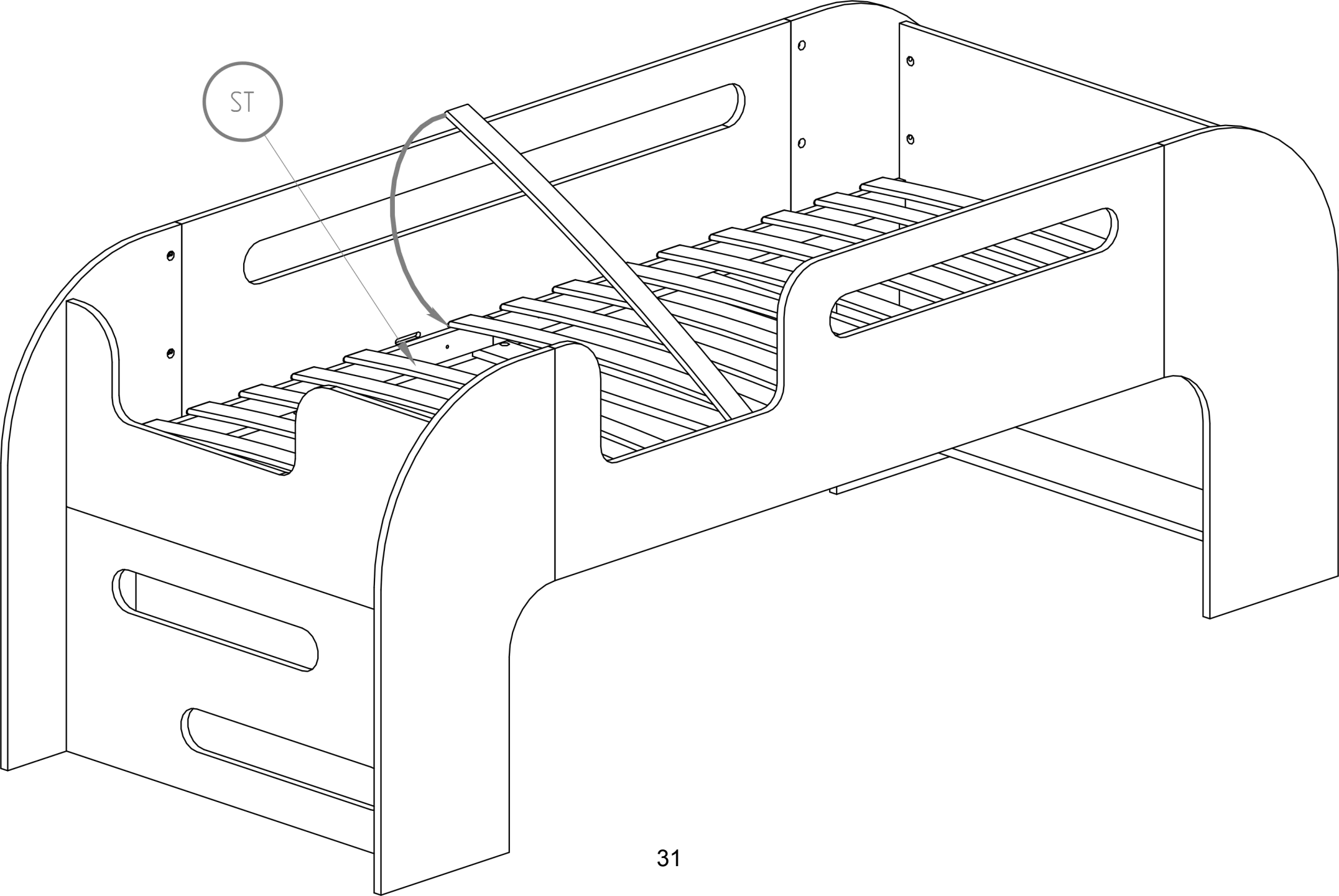
25



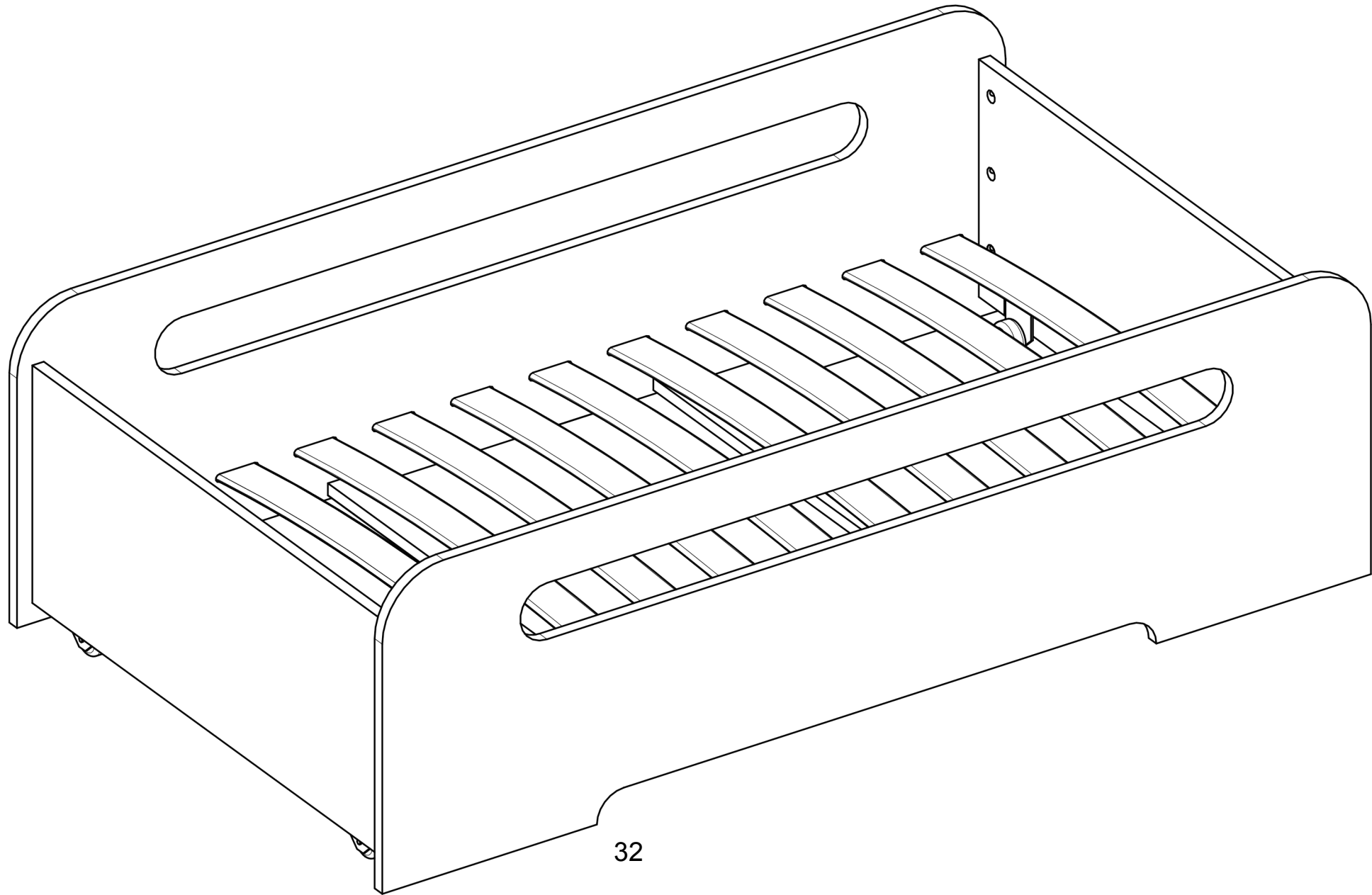


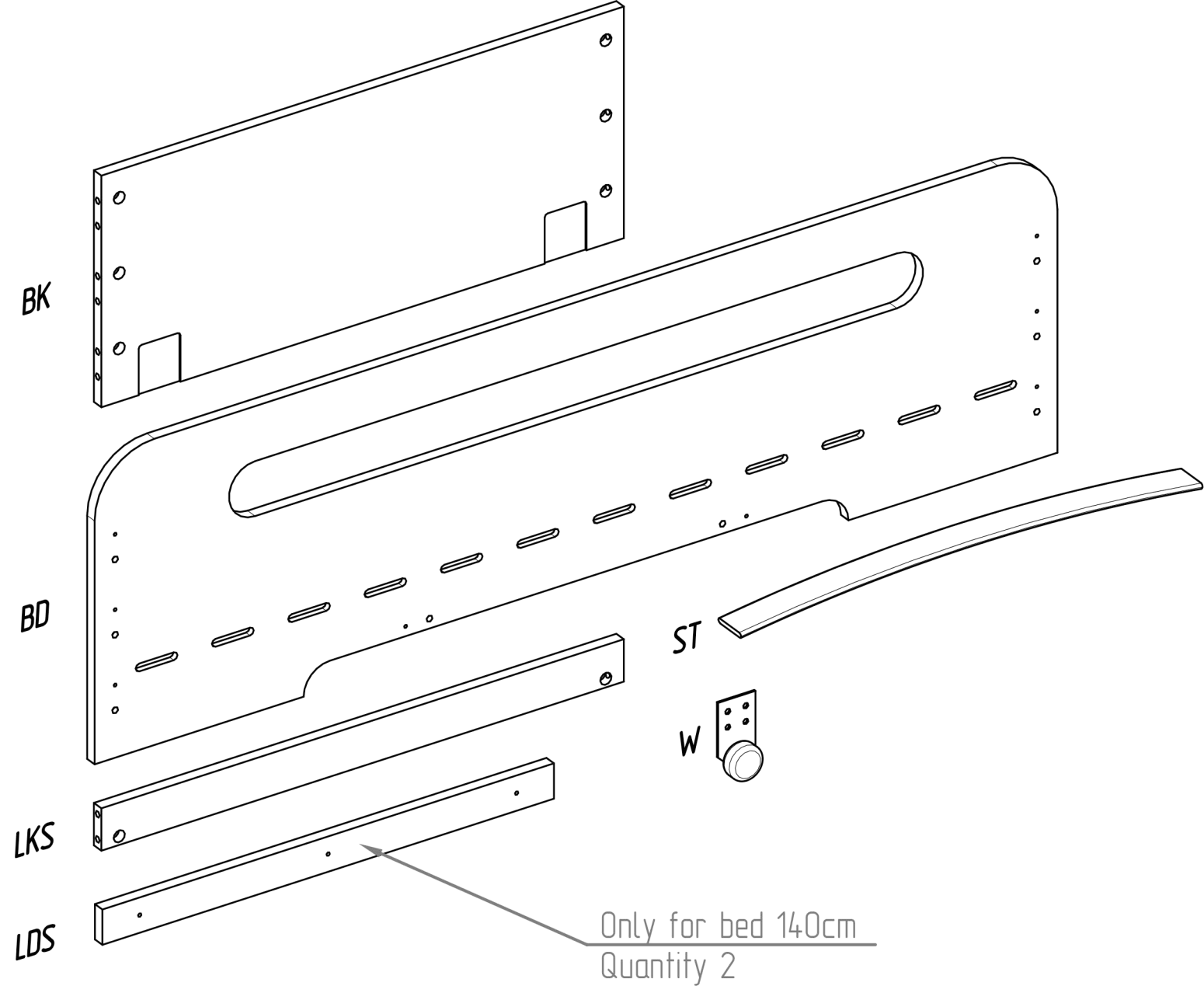






DRAWER

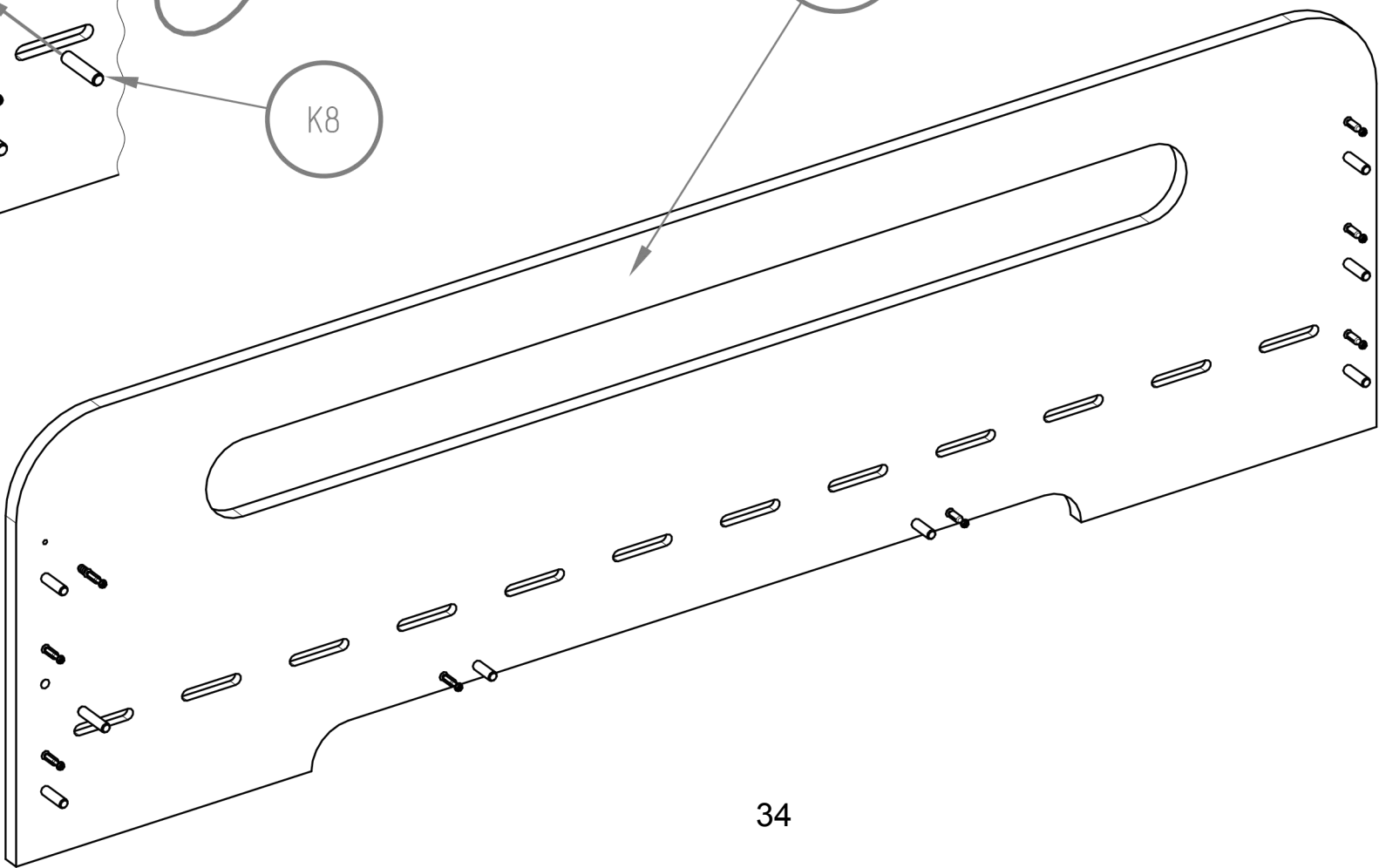
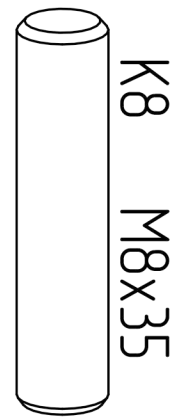
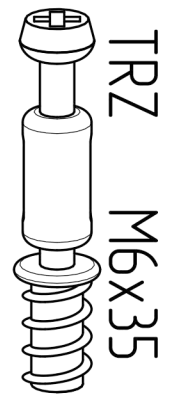
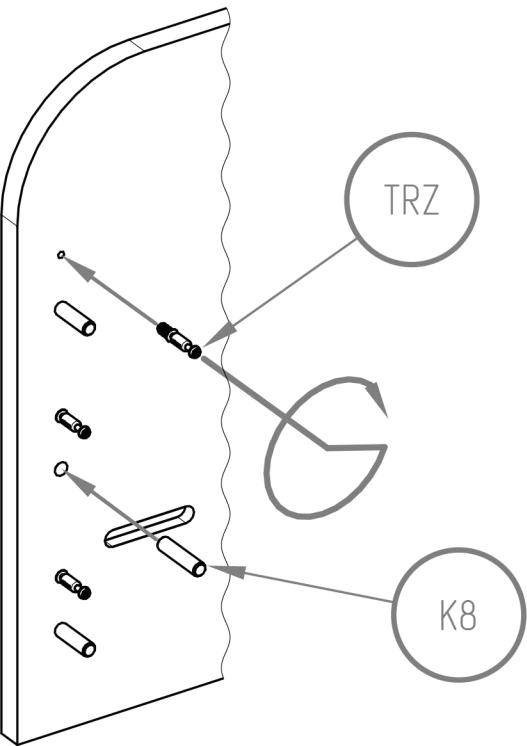


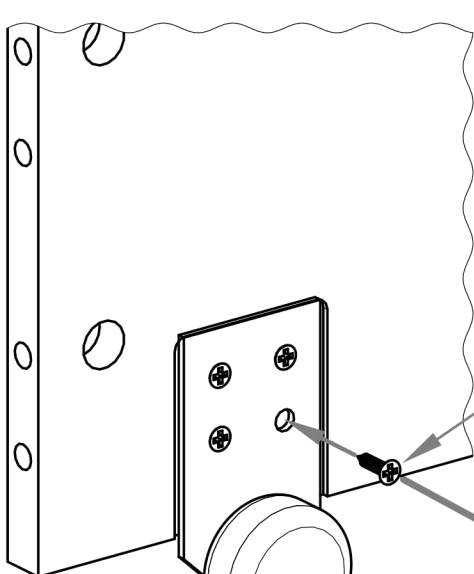


Only for bed 140cm
Quantity 2

DRAWER

- BK - x2*
- BD - x2*
- LKS - x2*
- LDS - x2/x4*
- ST - x10-14*
- W - x4*



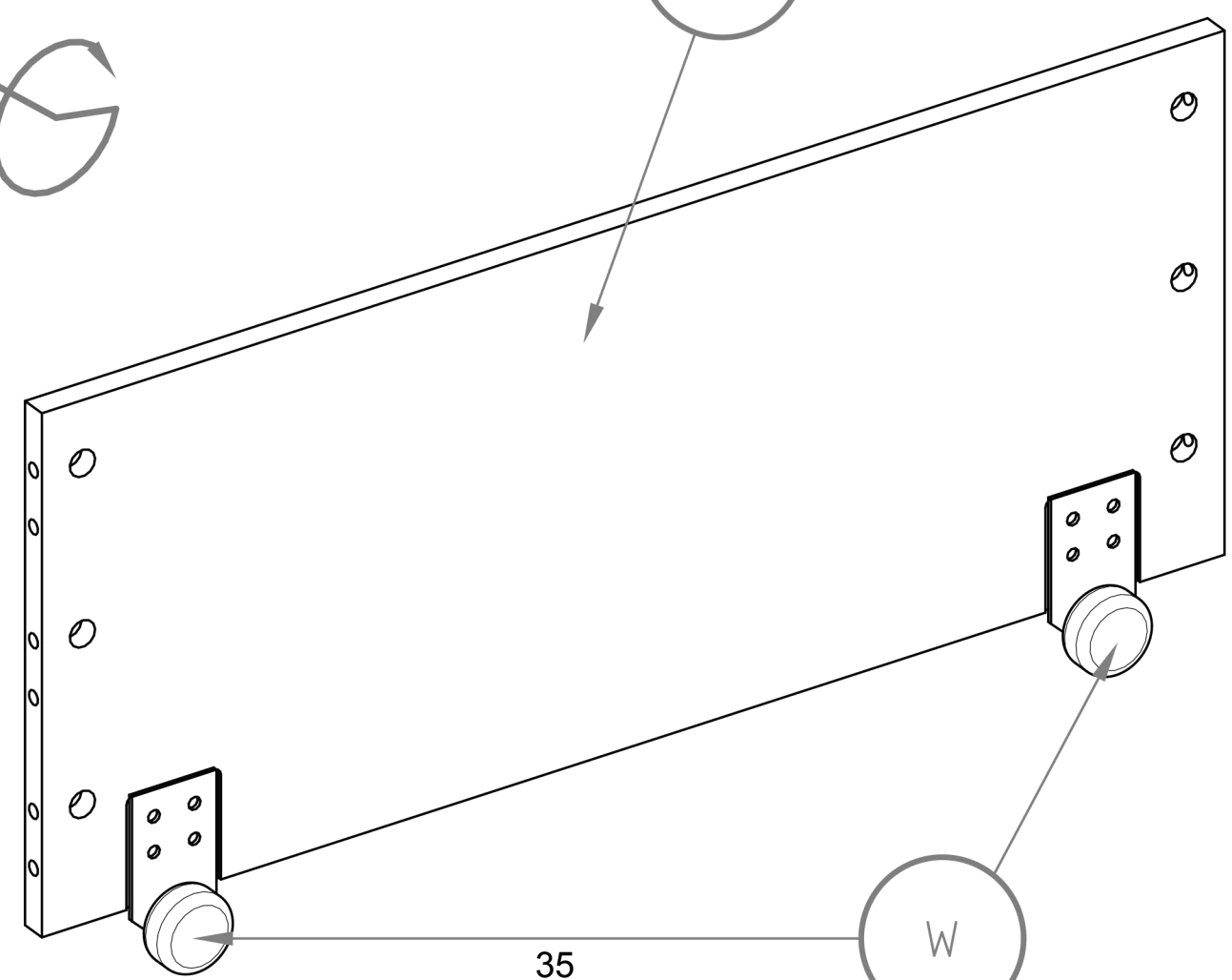


W13

W

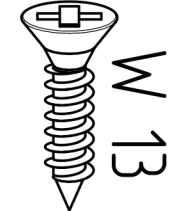
2x

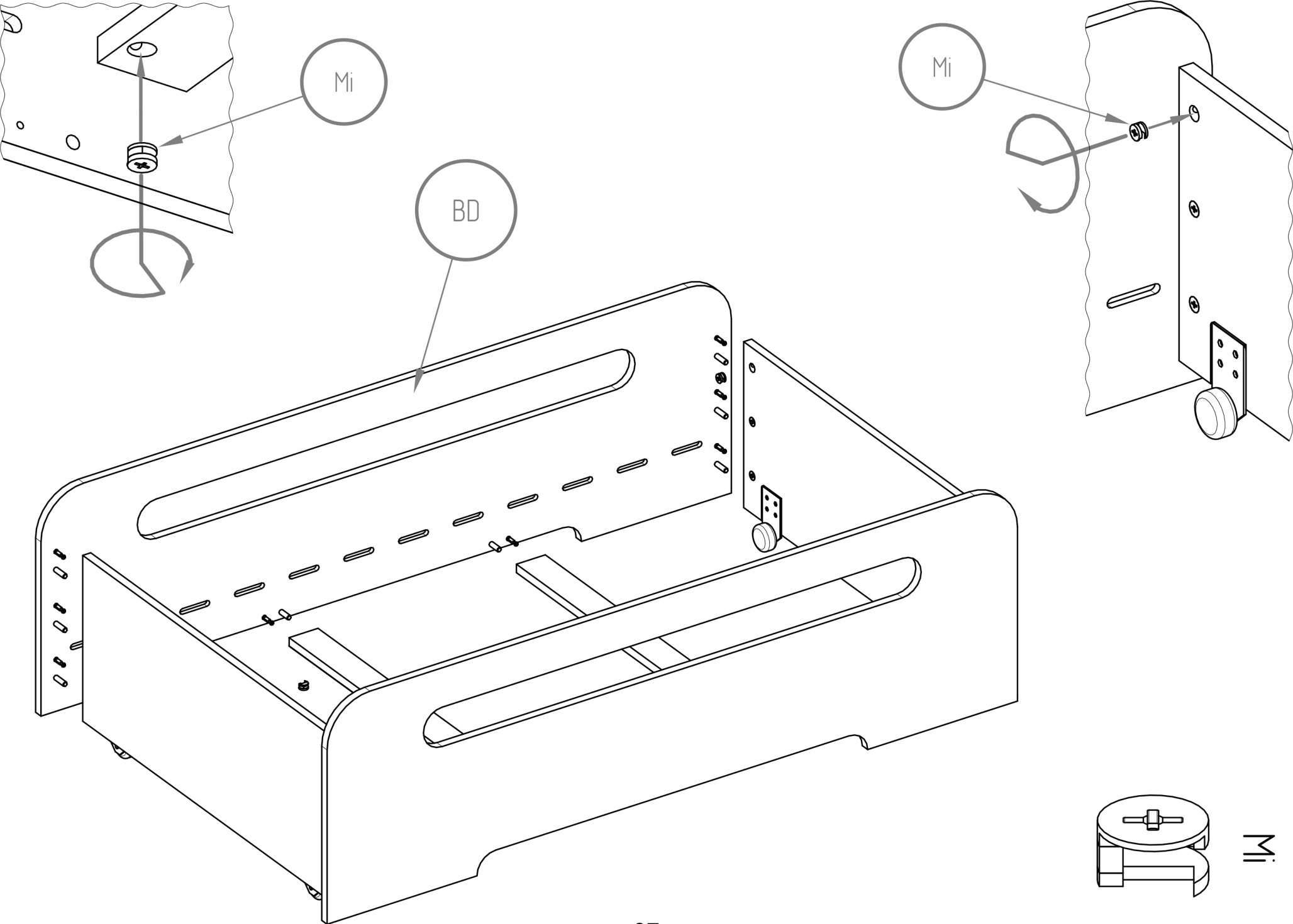
BK

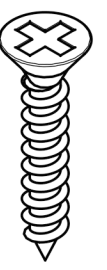


35

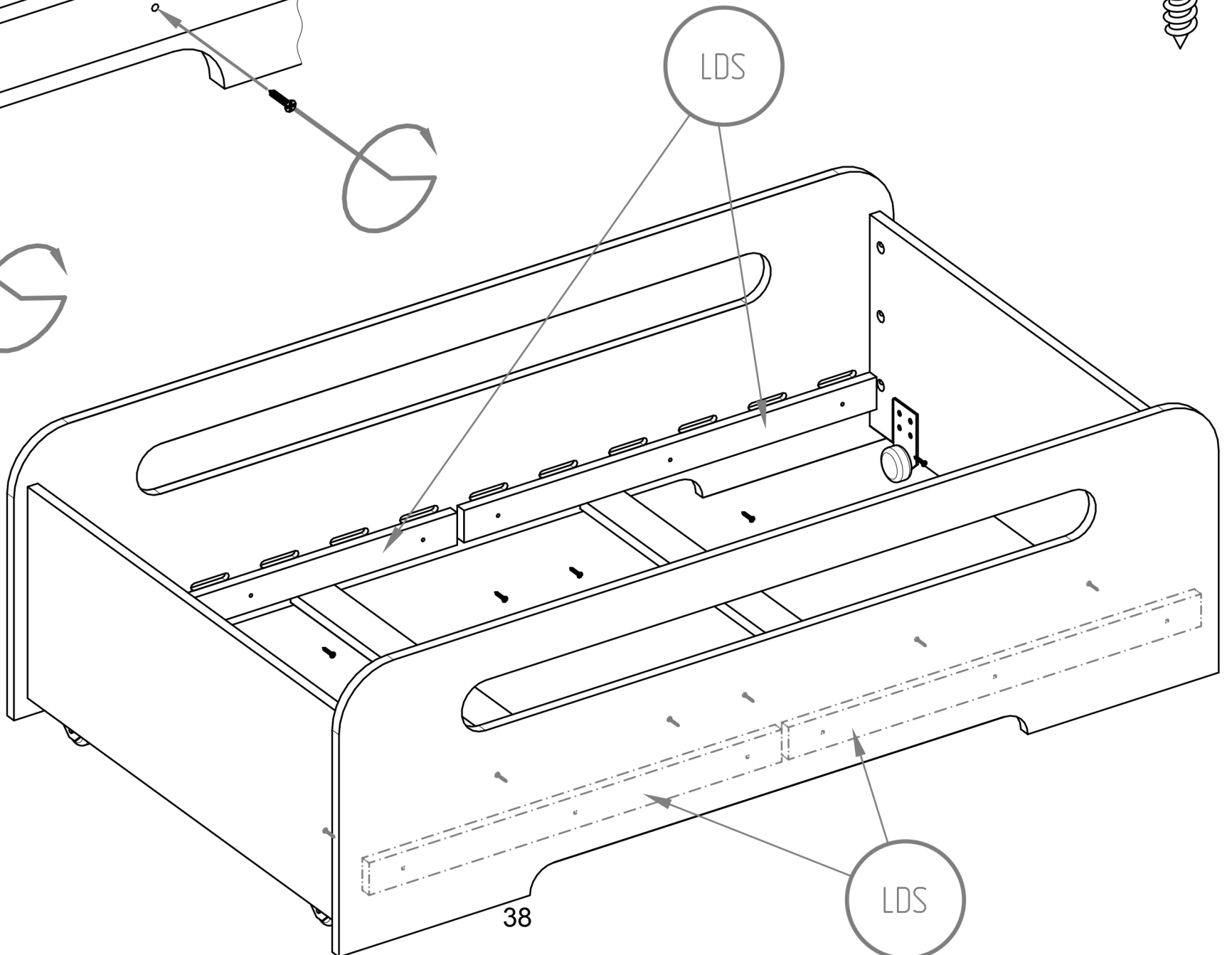
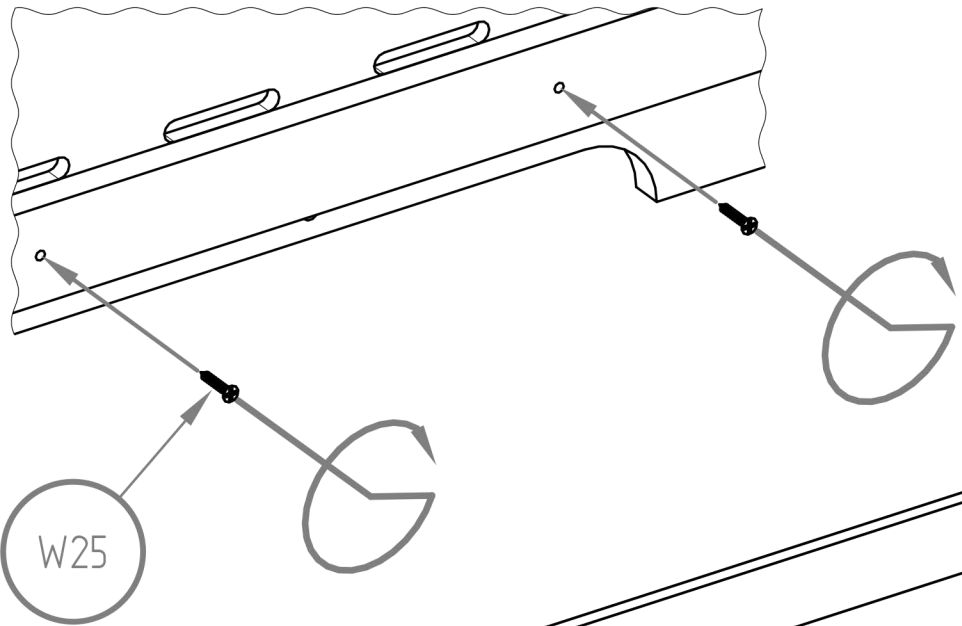
W







W25 M4x25

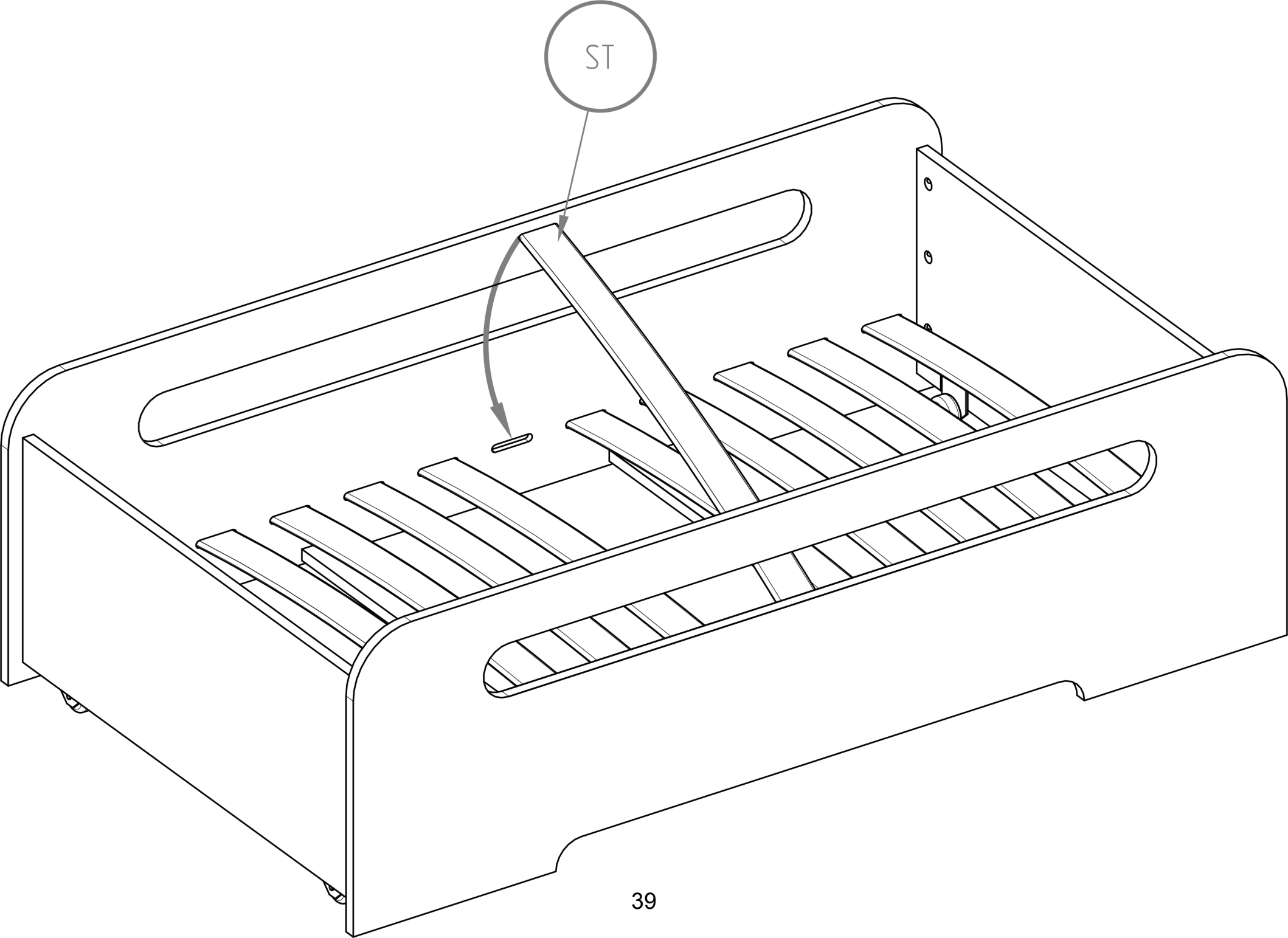


W25

LDS

LDS

38



ST

Woohoo!

High-fives all around for a job well done.

We hope your little one is over the moon with their new Petit Puk bed. And why not show off all your hard work? Snap a pic and share it with us on Instagram (tag us @petitpuk) or shoot us an email at info@petitpuk.com. We love seeing our creations come to life in your wonderful homes!

Now, before your kid dives in headfirst, here are a few friendly reminders:

- Stick to mattresses between 8-14 cm thick for the perfect fit.
- Beds are for snoozing, not bouncing
- Keep it safe with just one child on the bunk bed.
- Please, no acrobatics - avoid hanging off any parts of the bed.
- Keep things tidy with a gentle wipe-down of wooden and plastic parts using a dry cloth and mild cleaner.

Warranty

We've got your back with a 2-year warranty on bed parts under normal use. If you ever need a hand or have any questions, don't hesitate to reach out to Team Petit Puk. Just send us a message with your name and order number, along with images of the situation.